



APR. 2004 PRINTED IN KOREA

P/No.:3828ER3018Y



Website: <http://www.LGService.com>

E-mail: <http://www.LGService.com/techsup.html>

# WASHING MACHINE SERVICE MANUAL

## **▲ CAUTION**

READ THIS MANUAL CAREFULLY TO DIAGNOSE  
PROBLEMS CORRECTLY BEFORE SERVICING THE UNIT.

**MODEL: WM2277H\*/WM2077CW  
WM2177H\*/WM2677H\*M  
WD-11270BD**

---

# CONTENTS

1. SPECIFICATIONS .....	3
2. FEATURES & TECHNICAL EXPLANATION .....	4
3. PARTS IDENTIFICATION .....	7
4. INSTALLATION & TEST .....	8
5. OPERATION .....	11
6. WIRING DIAGRAM/PROGRAM CHART .....	14
7. TROUBLESHOOTING .....	17
7-1. BEFORE PERFORMING SERVICE .....	17
7-2. QC TEST MODE .....	17
7-3. HOW TO CHECK THE WATER LEVEL FREQUENCY .....	17
7-4. ERROR DISPLAY .....	18
8. ERROR DIAGNOSIS AND CHECK LIST .....	20
8-1. DIAGNOSIS AND SOLUTION FOR ABNORMAL OPERATION .....	20
8-2. FAULT DIAGNOSIS AND TROUBLESHOOTING .....	23
9. DISASSEMBLY INSTRUCTIONS .....	32
10. EXPLODED VIEW .....	41
10-1. CABINET & CONTROL PANEL ASSEMBLY .....	41
10-2. DRUM & TUB ASSEMBLY .....	42
10-3. DISPENSER ASSEMBLY .....	43

# 1. SPECIFICATIONS

ITEM	WM2677H*M	WM2277H*/WD-11270BD	WM2177H*	WM2077CW
COLOR	W: BLUE WHITE, B: BLACK PEARL, S: TITANIUM			
POWER SUPPLY	AC 120 V, 60 Hz			
PRODUCT WEIGHT	190 lbs. (86 kg)			
ELECTRIC POWER CONSUMPTION	WASHING	280 W		
	DRAIN MOTOR	80 W		
	WASH HEATER	1000 W	-	
REVOLUTION SPEED	WASH	42 rpm		
	SPIN	0-1320 rpm	0-1100 rpm	0-1000 rpm
CYCLES	9	7		
WASH/RINSE TEMPERATURES	5			
SPIN SPEEDS	5			
OPTIONS	Prewash, Stain Cycle, Quick Cycle, Extra Rinse, Rinse+Spin, Delay Wash			
CUSTOM PROGRAM	Incorporated			
WATER CIRCULATION	Incorporated	-		
OPERATIONAL WATER PRESSURE	4.5-145 psi (30-1000 kPa)			
CONTROL TYPE	Electronic			
WASH CAPACITY [cu. ft.]	3.32 (3.83 IEC)	3.22 (3.72 IEC)		
DIMENSIONS	27" (W) X 29 <sup>3</sup> / <sub>4</sub> " (D) X 38 <sup>11</sup> / <sub>16</sub> " (H), 50 <sup>13</sup> / <sub>16</sub> " (D, door open)			
DELAY WASH	up to 19 hours	up to 12 hours	up to 9 hours	
DOOR SWITCH TYPE	PTC + Solenoid			
WATER LEVEL	10 steps (by sensor)			
LAUNDRY LOAD SENSING	Incorporated			
ERROR DIAGNOSIS	Incorporated			
AUTO POWER OFF	Incorporated			
CHILD LOCK	Incorporated			
RLM ENABLE	Incorporated	-		

## 2. FEATURES & TECHNICAL EXPLANATION

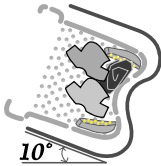
---

### 2-1. FEATURES



#### ■ **Direct Drive System**

The advanced Brushless DC motor directly drives the drum without belt and pulley.



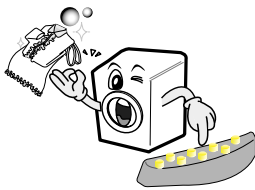
#### ■ **Tilted Drum and Extra Large Door Opening**

Tilted drum and extra large door opening make it possible to load and unload easily.



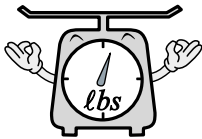
#### ■ **Water Circulation**

Spray detergent solution and water onto the load repeatedly. Clothes are soaked more quickly and thoroughly during the wash cycle. Detergent suds are eliminated more easily by the water shower during rinse cycle. The water circulation system uses both water and detergent more efficiently.



#### ■ **RollerJets**

Washing ball enhances wash performance and reduces damage to clothing. The jets spray and help tumble clothes to enhance washing performance while maintaining fabric care.



#### ■ **Automatic Wash Load Detection**

Automatically detects the load and optimizes the washing time.



#### ■ **Built-in Heater**

Internal heater automatically heats the water to the optimum temperature on selected cycles.



#### ■ **Child Lock**

The Child lock feature prevents children from pressing any buttons to change the settings during operation.



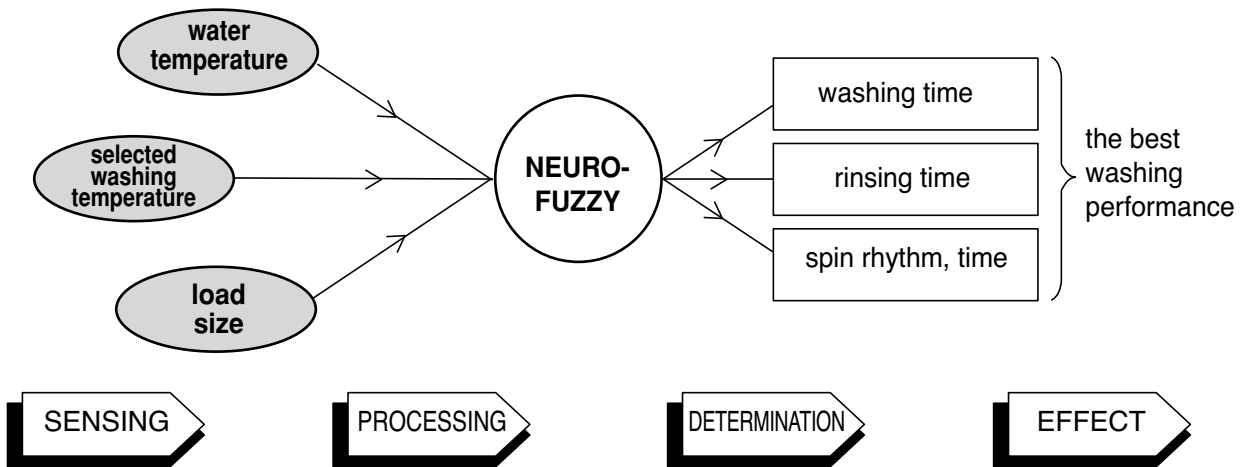
#### ■ **Using the RLM (Remote Laundry Monitor)**

The RLM monitors status of your washer and/or dryer. You can plug the display unit into any power outlet in your home. The RLM Display Unit can be purchased separately for this washer.

---

## 2-2. NEURO FUZZY WASHING TIME OPTIMIZATION

To get the best washing performance, optimal time is determined by the water temperature, the selected washing temperature, and the size of the load.



## 2-3. WATER LEVEL CONTROL

- This model incorporates a pressure sensor which can sense the water level in the tub.
- The water supply is stopped when the water level reaches the preset level, the washing program then proceeds.
- Spinning does not proceed until the water in the tub drains to a certain level.

## 2-4. DOOR CONTROL

- The door can be opened by pulling the door handle whenever washer is not in operation.
- When the cycle is completed, the DOOR LOCKED light will turn off.
- If a power failure has occurred while in operation, the door will unlock after 5 minutes.
- Clicking sounds can be heard when the door is locked/unlocked.

---


## 2-5. THE DOOR CAN NOT BE OPENED

- While program is operating
- When a power failed and power plug is taken out in operation
- While Door Lock lights turn on.
- While the motor is in the process of inertial rotating, through the operation is paused.

## 2-6. DOOR LOCKED LAMP LIGHTS

- When the frequency of water level is lower than 22.9 kHz  
(It can be canceled when the frequency is more than 23.8 kHz)
- When the temperature inside the tub is higher than 45 °C and water level is not 25.5 kHz  
(It can be canceled when the water level is 25.5 kHz or the temperature inside the tub is lower than 40 °C)

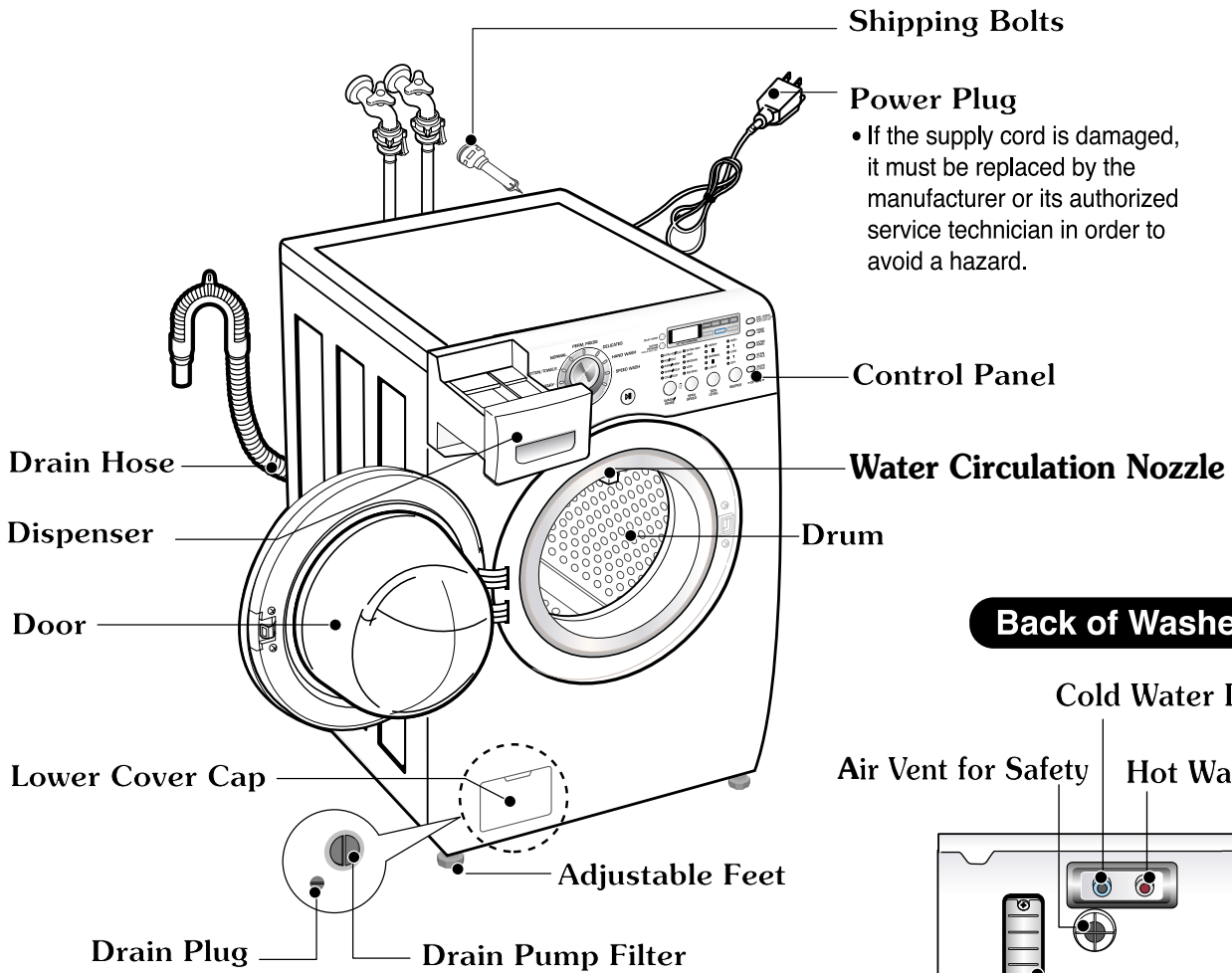
## 2-7. CHILD LOCK

- Use this option to prevent unwanted use of the washer. Press and hold PRE WASH button for 3 seconds to lock/unlock control.
- When Child lock is set, CHILD LOCK lights and all buttons are disabled except the Power  button. You can lock the washer while it is operating.

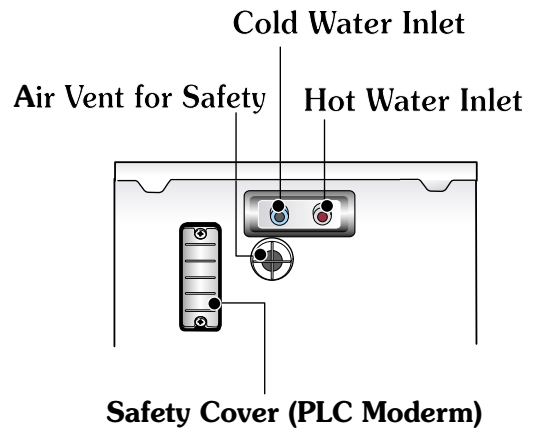
## 2-8. WATER CIRCULATION

- When Washing and Rinsing function of shower at the upper part of Gasket.
- When Washing, it continuously operates for 3 minutes and intermittently.
- When Rinsing, it continuously operates after completion of water supply at first rinse.

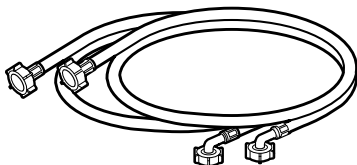
# 3. PARTS IDENTIFICATION



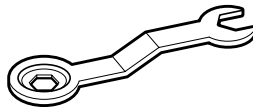
## Back of Washer



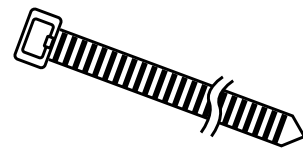
## ACCESSORIES



Hot/Cold (1 each)  
Hose



Wrench



Tie strap  
to secure drain hose to standpipe,  
inlet hose, or laundry tub

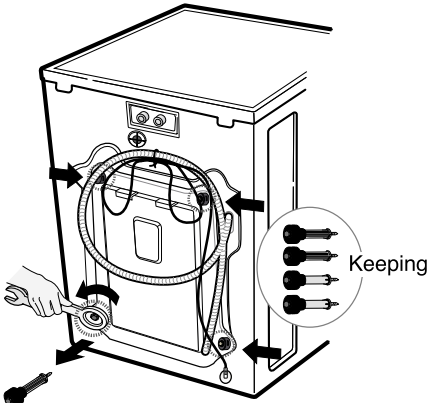
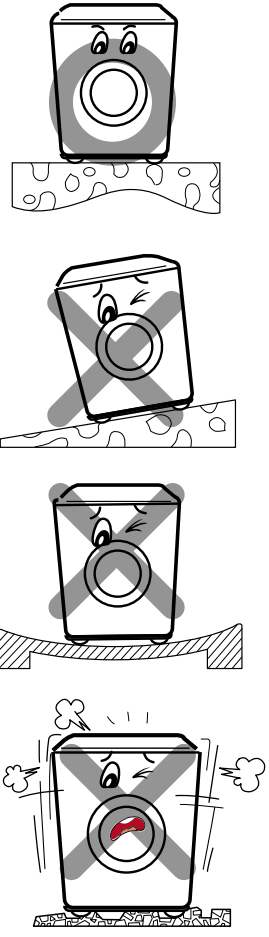
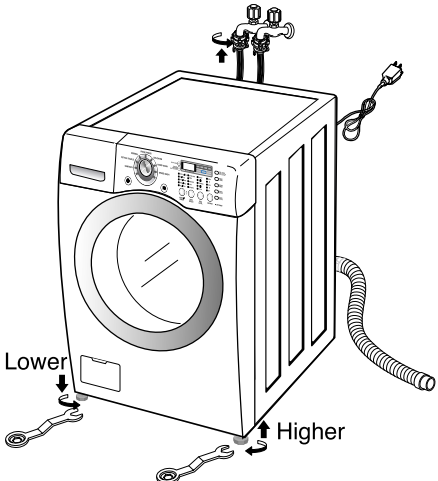


# 4. INSTALLATION & TEST

- 1 Before servicing, ask the customer what the trouble is.
- 2 Check the setup (power supply is 120 V AC, remove the transit bolts....).
- 3 Check with the troubleshooting guide.
- 4 Plan your service method by referring to the disassembly instructions.
- 5 Service the unit.
- 6 After servicing, operate the appliance to see whether it functions correctly.

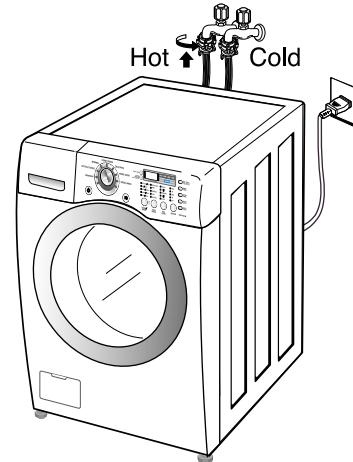
## ■ STANDARD INSTALLATION

The appliance should be installed as follows:

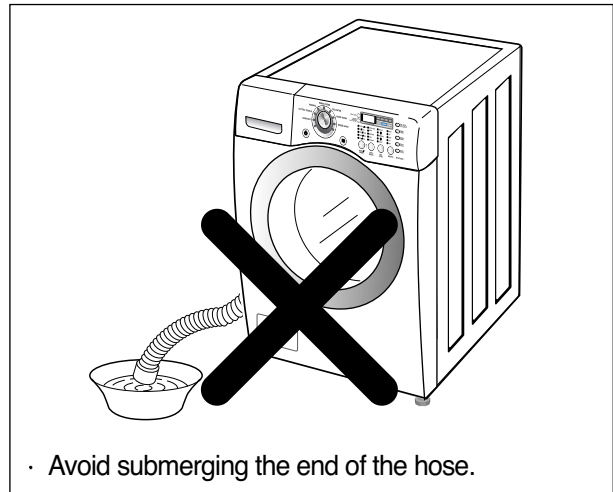
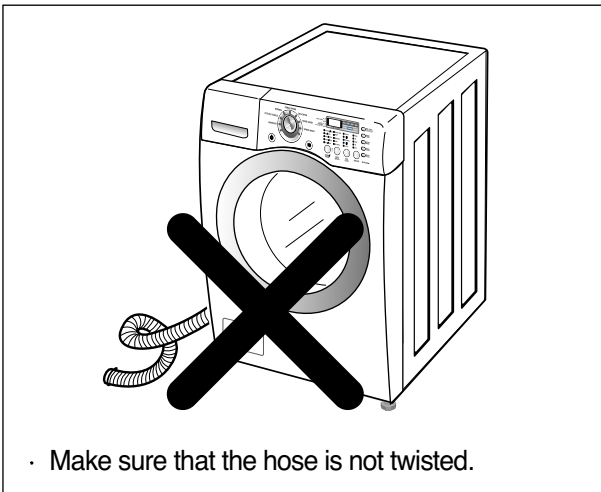
REMOVE THE SHIPPING BOLTS	INSTALL THE APPLIANCE ON A FLAT AND FIRM SURFACE	ADJUST THE LEVELING
<ul style="list-style-type: none"> <li>• Remove the 4 shipping bolts with the supplied wrench.</li> <li>※ Do first lower side to remove easily.</li> <li>• Keep the shipping bolts and spanner for future use.</li> <li>• Insert the 4 caps (provided) into the hole.</li> </ul> 		<ul style="list-style-type: none"> <li>• Turn the leveling feet to adjust the appliance.</li> </ul>  <ul style="list-style-type: none"> <li>• Turn clockwise to raise; counterclockwise to lower.</li> </ul>

## ■ HOW TO CONNECT THE INLET HOSE

- Verify that the rubber washer is inside of the valve connector.
- Tighten the inlet hose securely to prevent leaks.

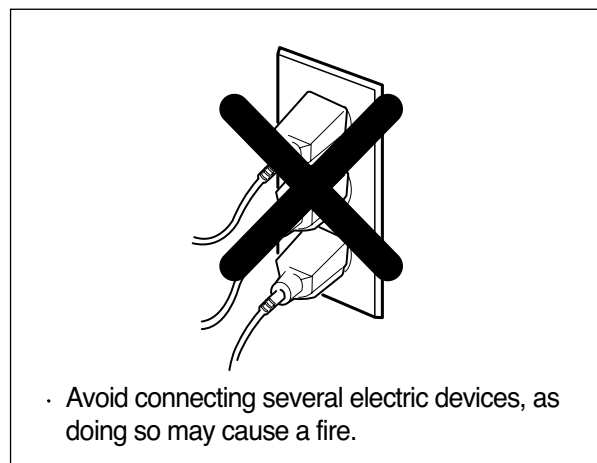
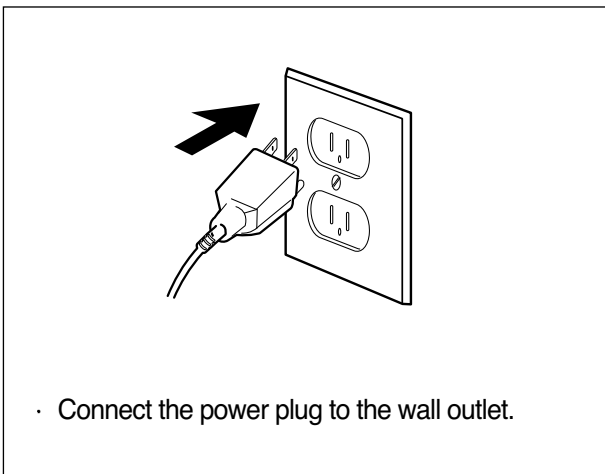


## ■ CONNECT THE DRAIN HOSE

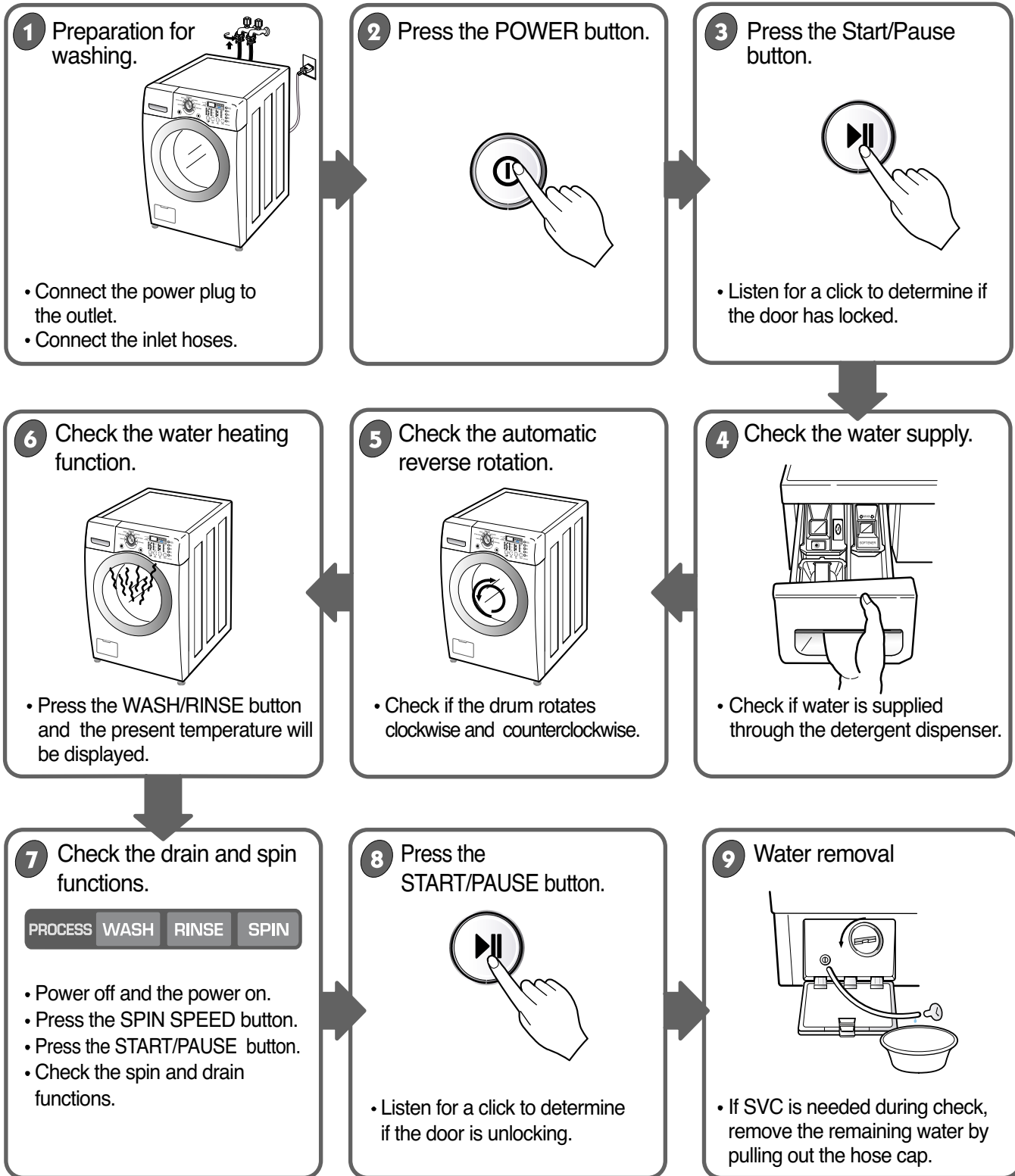


※ The end of the drain hose should be placed less than 96" from the floor.

## ■ CONNECT POWER PLUG

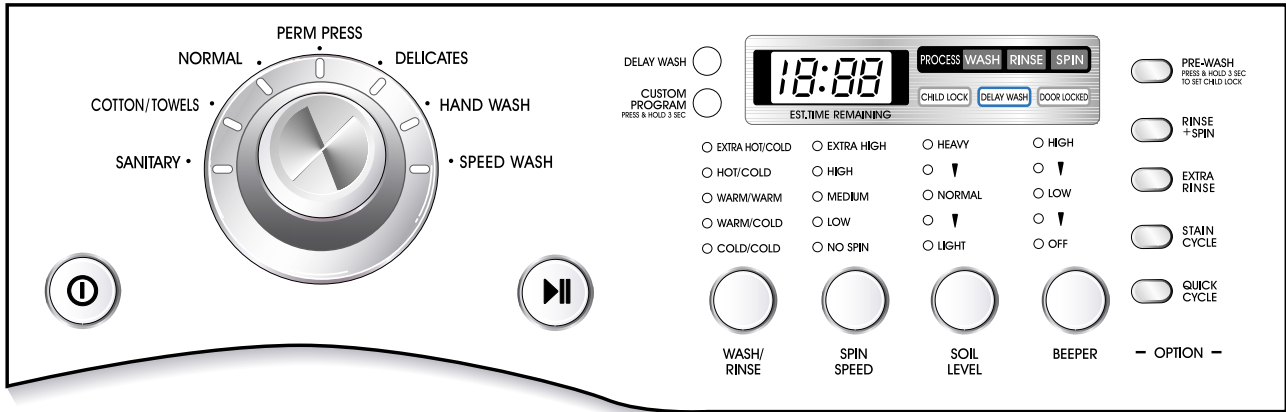


## 7 TEST OPERATION



# 5. OPERATION

## WM2277H\*/WM2177H\*



## WM2077CW



## WM2677H\*M



## • POWER button

- Use this button to turn the power On/Off.

## • EST.TIME REMAINING

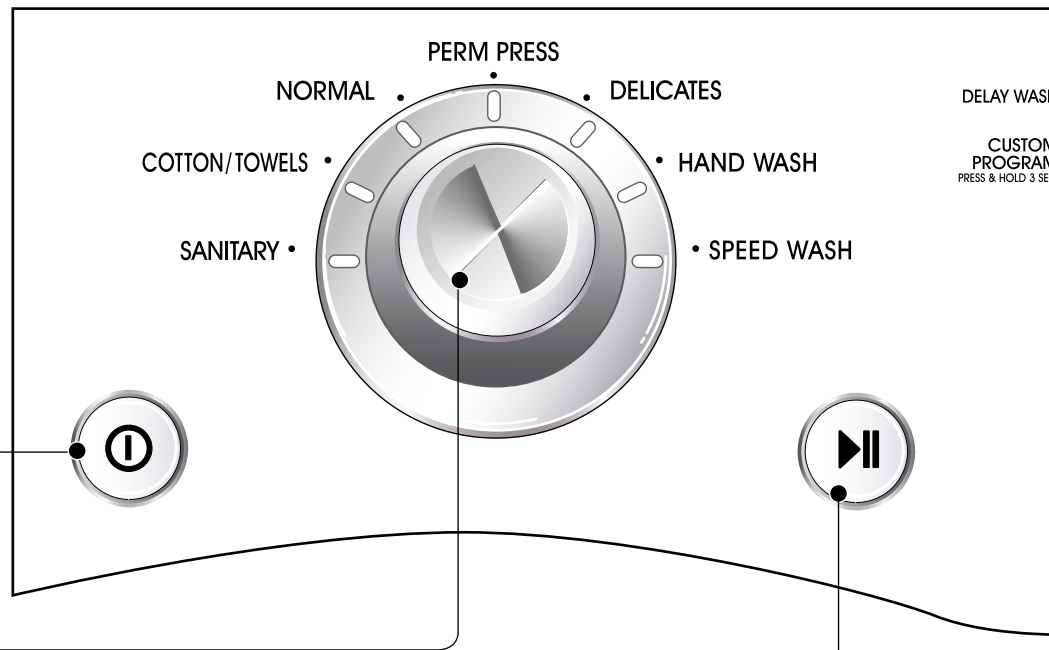
- This display shows:
  - a) the estimated time remaining in the cycle when operating.
  - b) an error code when an error has been detected.

## • CHILD LOCK

- Use this option to prevent Press and hold PRE WAS lock/unlock control.
- When Child lock is set, CH buttons are disabled except can lock the washer while

## • CYCLE SELECTOR knob

- Rotate the **Cycle selector knob** to select the cycle designed for different types of fabric and soil levels.



## • START/PAUSE button

- Use this button to Start/ Stop the washer.

## • CUSTOM PROGRAM button

- Allows you to store a customized wash cycle for future use.
- To create a **Custom Program**:
  - 1) Select a cycle.
  - 2) Select the other desired **Wash/Rinse Temp., Spin Speed, Soil Level**.
  - 3) Select the desired Options.
  - 4) Press and hold the Custom Program button for 3 seconds (2 beep sounds). The Custom Program is now stored for future use.
- To reuse the program, select **Custom Program** and press **Start/Pause** (play/pause symbol).

K

Prevent unwanted use of the washer. Press the WASH button for 3 seconds to

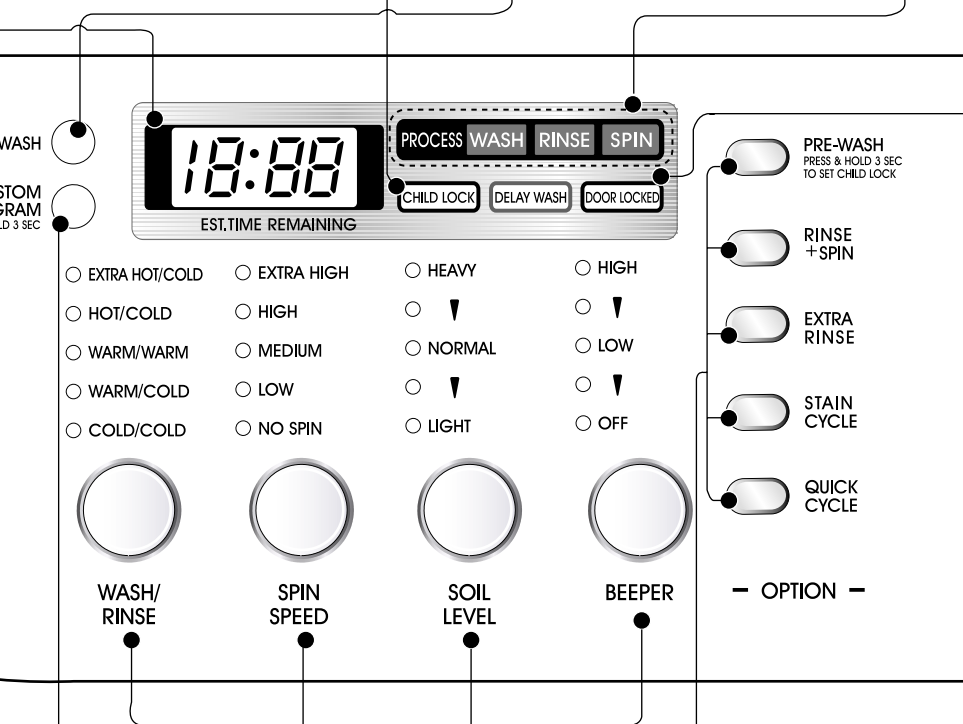
activate CHILD LOCK lights and all buttons except the Power button. You cannot operate it while it is operating.

### • DELAY WASH button

- Allows the start of any cycle to be delayed for 1~12 hours.

### • STATUS INDICATOR

- These lights show which portion of the cycle the washer is operating.



### • DOOR LOCKED lamp

- Lights whenever the door of the washer is locked.
- The door can be unlocked by pressing the Start/Pause button to stop the washer.

### • WASH/RINSE temp., SPIN SPEED, SOIL LEVEL, BEEPER button

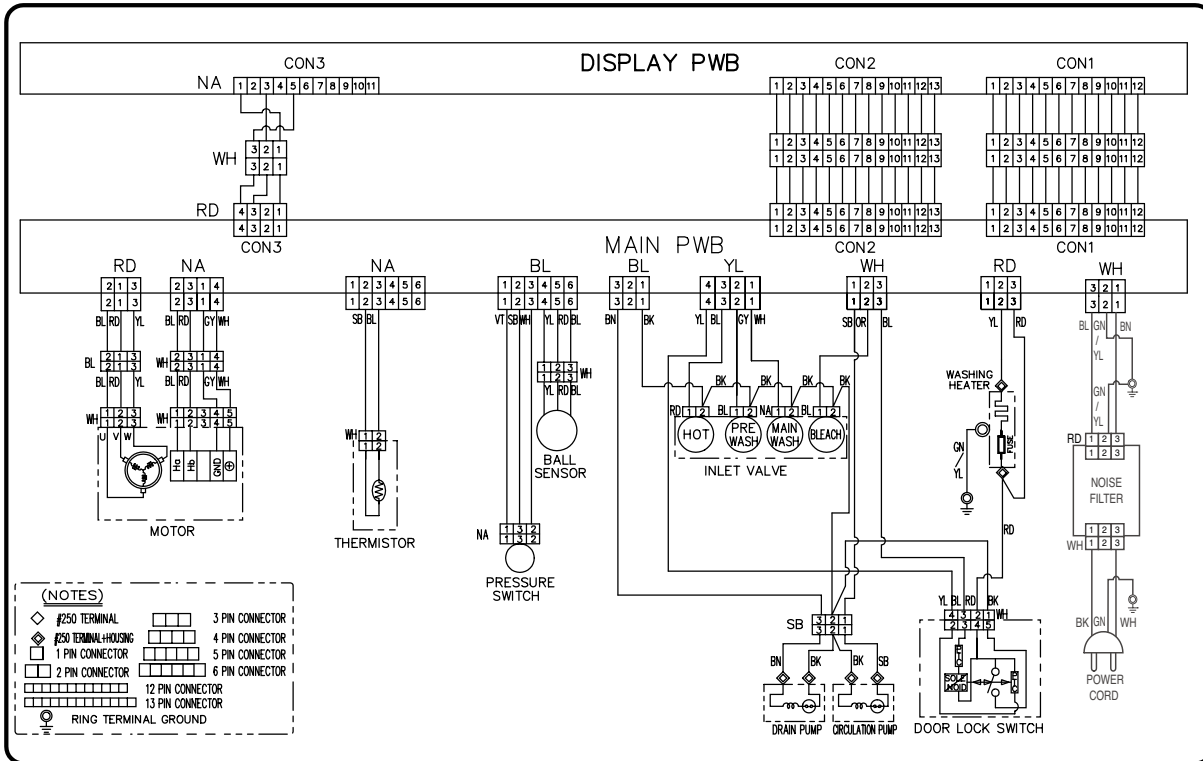
- Select a water temperature based on the type of load you are washing.
- To change the spin speed, press the Spin Speed button repeatedly to cycle through available options.
- To change the soil level, press the Soil Level button repeatedly until the desired setting is on.
- Press repeatedly to adjust the volume of the Beeper.

### • OPTION button

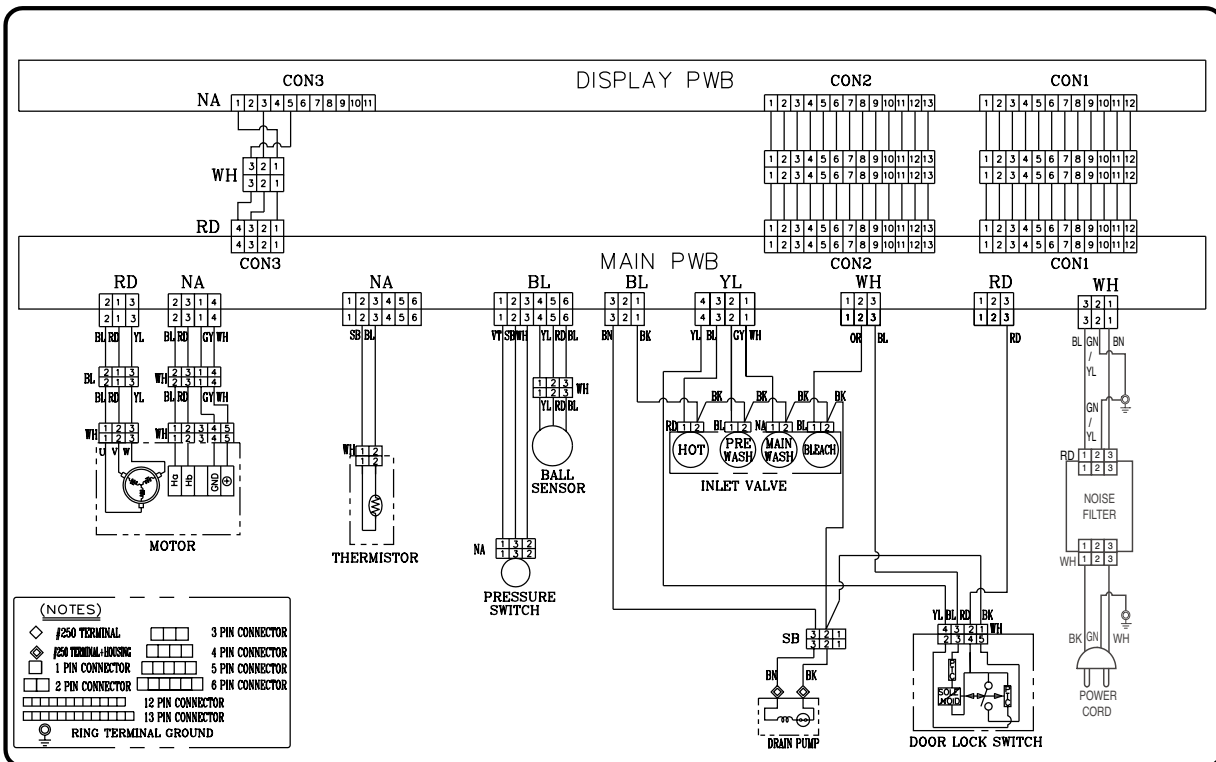
- **Prewash:** Use this option for loads that need pretreatment. It adds 16 minutes prewash and drain.
- **Rinse+Spin:** Use this option to rinse and then spin.
- **Extra Rinse:** This option provides an additional rinse cycle.
- **Stain Cycle:** Adds time to the wash and rinse cycles for better stain removal. Automatically provides a rinse.
- **Quick Cycle:** The Quick cycle offers a quick cycle time.

# 6. WIRING DIAGRAM/PROGRAM CHART

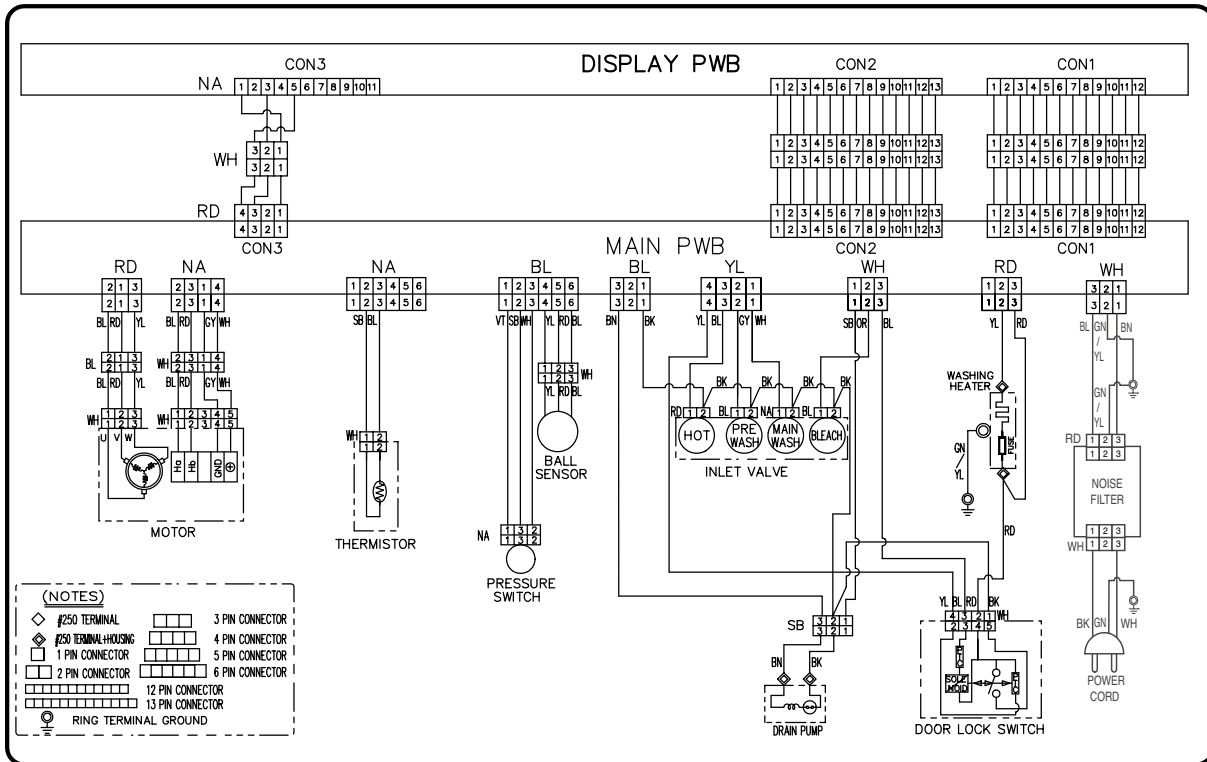
## WM2277H\*



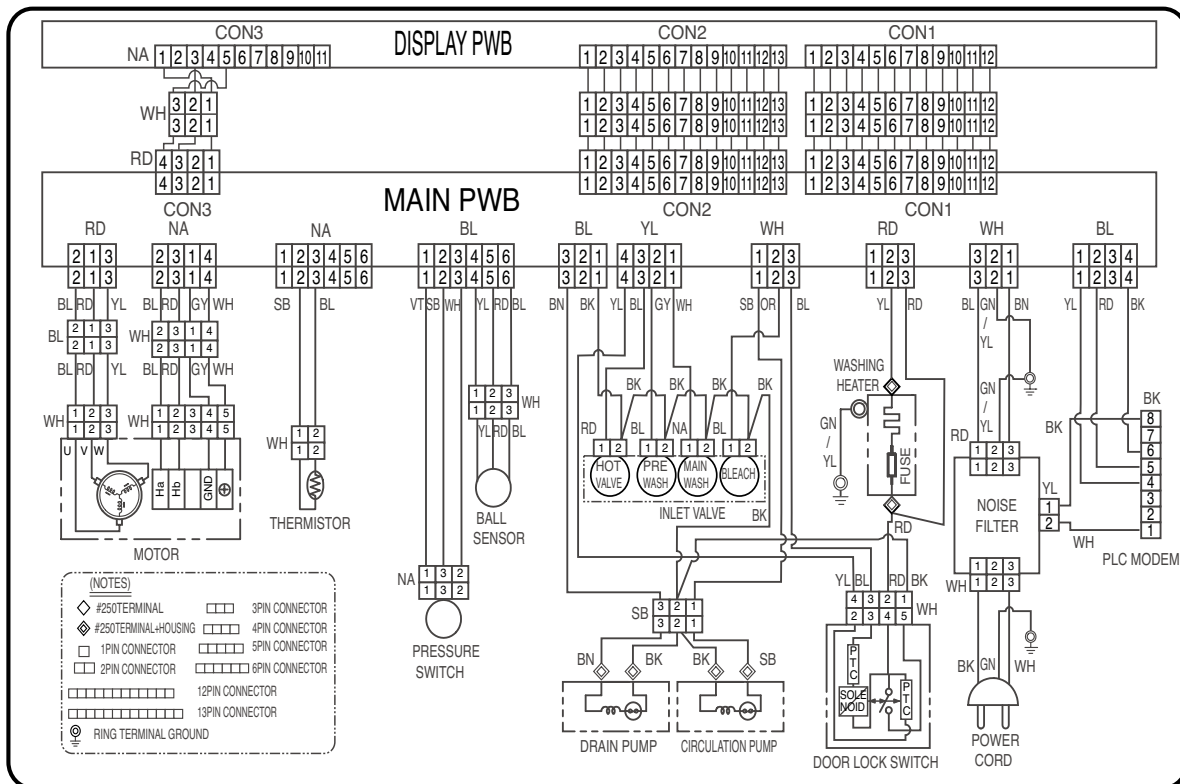
## WM2077CW



WM2177H\*



WM2677H\*M





PROGRAM CHART

\* Water Supply: W-S

\* Intermittent Spin: I-S

\* Disentangle: D-T

CYCLE	Wash										Rinse										Spin			A U T O O F F	**Approx. Working Time (Minutes)							
	Pre			Main							Normal					Extra or Stain			Extra & Stain			D r a i n	S p i n			D I T						
	W - S	W a s h	D r a i n	W - S	W a s h	W a s h	W - S	R i n s e	D r a i n	D r a i n	I - S	W - S	R i n s e	D r a i n	I - S	W - S	R i n s e	D r a i n	I - S	W - S	R i n s e						D r a i n	I - S	W - S	R i n s e		
	1	2	3	4	5	6	7	8	9	10	11	12	13	14	15	16	17	18	19	20	21						22	23	24	25	26	27
Time (SEC)	60	*	60	300	60	*	60	60	60	60	360	60	240	60	360	60	240	60	300	60	240	60	300	60	240	60	360 - 660	60 - 180	20	20		
Sanitary		8				60																										105
Cotton /Towels		8				67																										58
Normal		8				20																										57
Perm Press		8				12																										55
Delicates		8				19																										34
Wool /Silk		8				14																										34
Hand Wash		8				13																										34
Speed Wash		8				14																										34
Speed Wash		8				8																										30
Drain+Spin													120			120																12
Wash + Rinse		8																														45
Rinse + Spin																																29

Basic Cycle  
 Optional Cycle  
 Pre-Setting Time : Water Supply - 60 sec.  
   Drain - 60 sec.

\* Wash time is in minutes.  
 \*\* The total working time will vary with the load size, water temperature and ambient temperature.

# 7. TROUBLESHOOTING

## 7-1. BEFORE PERFORMING SERVICE

- Be careful of electric shock when disconnecting parts while troubleshooting.
- The voltage of each terminal is 110/120 V AC and DC when the unit is plugged in.

## 7-2. QC TEST MODE.

The washer must be empty and the controls must be in the off state.

1. Press the SPIN SPEED and SOIL LEVEL buttons simultaneously.
2. Press the Power (⏻) button, while the above condition. Then buzzer will sound twice.
3. Press the Start/Pause (▶) button repeatedly to cycle through the test modes.

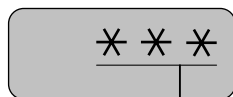
Number of times the Start/Pause button is pressed	Check Point	Display Status
None	Turns on all lamps and locks the door.	18:88 <sup>1)</sup>
1 time	Tumble clockwise.	rpm (40~50)
2 times	Low speed Spin.	rpm
3 times	High speed Spin.	rpm
4 times	Inlet valve for prewash turns on.	Water level frequency (25~65)
5 times	Inlet valve for main wash turns on.	Water level frequency (25~65)
6 times	Inlet valve for hot water turns on.	Water level frequency (25~65)
7 times	Inlet valve for bleach turns on.	Water level frequency (25~65)
8 times	Tumble counterclockwise.	rpm (40~50)
9 times	Heater turns on for 3 sec.	Water temperature
10 times	Circulation pump turns on.	Water level frequency (25~65)
11 times	Drain pump turns on.	Water level frequency (25~65)
12 times	Power off and unlock the door.	Turn off all lamps.

<sup>1)</sup> 1F:8 1 : WM2277H\*/WM2177H\*      1F:8 2 : WM2077CW

1F:8 1 : WM2677H\*M

## 7-3. HOW TO CHECK THE WATER LEVEL FREQUENCY

\* Press the SPIN SPEED and SOIL LEVEL button simultaneously.





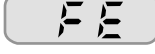










● The digits indicate the water level frequency ( x.1 kHz ).

So, for example a display indicating 241: a Water level frequency of 241 x.1 kHz  
= 24.1 kHz

## 7-4. ERROR DISPLAY

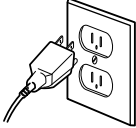
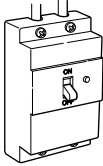


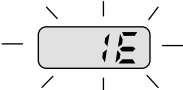



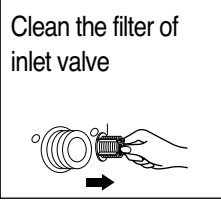
- If you press the START/PAUSE button when an error is displayed, any error except 『PE』 will disappear and the machine will go into the pause status.
- In case of 『PE』, 『LE』, 『dE』 if the error is not resolved within 20 sec., or the in case of other errors, if the error is not resolved within 4 min., power will be turned off automatically and the error code will blink. But in the case of 『FE』, power will not be turned off.



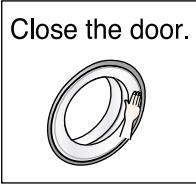

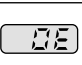
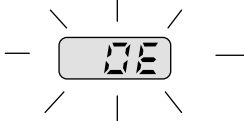
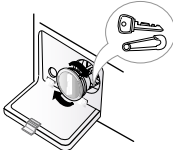
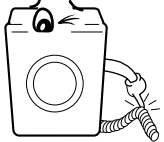
	ERROR	SYMPTOM	CAUSE
1	WATER INLET ERROR		<ul style="list-style-type: none"> <li>• Correct water level (246) is not reached within 8 minutes after water is supplied or it does not reach the preset water level within 25 minutes.</li> </ul>
2	IMBALANCE ERROR		<ul style="list-style-type: none"> <li>• The load is too small.</li> <li>• The appliance is tilted.</li> <li>• Laundry is gathered to one side.</li> <li>• Non distributable things are put into the drum.</li> </ul>
3	DRAIN ERROR		<ul style="list-style-type: none"> <li>• Not fully drained within 10 minutes.</li> </ul>
4	OVER FLOW ERROR		<ul style="list-style-type: none"> <li>• Water is overflowing (water level frequency is over 213).</li> <li>※ If  is displayed, the drain pump will operate to drain the water automatically.</li> </ul>
5	PRESSURE SENSOR ERROR		<ul style="list-style-type: none"> <li>• The SENSOR SWITCH ASSEMBLY is out of order.</li> </ul>
6	DOOR OPEN ERROR		<ul style="list-style-type: none"> <li>• Door not all the way closed.</li> <li>• Loose electrical connections at Door switch and PWB Assembly.</li> <li>• The DOOR SWITCH ASSEMBLY is out of order.</li> </ul>
7	HEATING ERROR		<ul style="list-style-type: none"> <li>• The THERMISTOR is out order.</li> </ul>

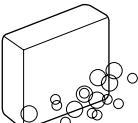
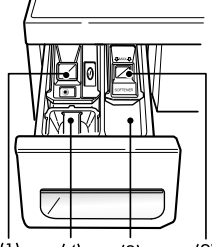
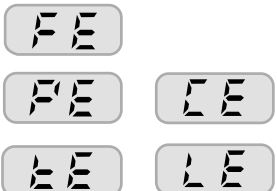
	<b>ERROR</b>	<b>SYMPTOM</b>	<b>CAUSE</b>
8	OVER CURRENT ERROR		<ul style="list-style-type: none"> <li>• MAIN PWB ASSEMBLY is out of order.</li> <li>• Winding in the STATOR ASSEMBLY is short-circuited.</li> </ul>
9	LOCKED MOTOR ERROR		<ul style="list-style-type: none"> <li>• The connector (3-pin, male, white) in the MOTOR HARNESS is not connected to the connector (3-pin, female, white) of STATOR ASSEMBLY.</li> <li>• The electric contact between the connectors (3-pin, male, white) in the MOTOR HARNESS and 4-pin, female, white connector in the MAIN PWB ASSEMBLY is bad or unstable.</li> <li>• The MOTOR HARNESS between the STATOR ASSEMBLY and MAIN PWB ASSEMBLY is cut (open circuited).</li> <li>• The hall sensor is out of order/defective.</li> </ul>
10	BALL SENSOR ERROR		<ul style="list-style-type: none"> <li>• Loose Ball Sensor Connector.</li> <li>• Ball Sensor is out of order. <ul style="list-style-type: none"> <li>※ Displayed only when the START/PAUSE button is first pressed in the QC Test Mode.</li> </ul> </li> </ul>
11	EEPROM ERROR		<ul style="list-style-type: none"> <li>• EEPROM is out of order. <ul style="list-style-type: none"> <li>※ Displayed only when the START/PAUSE button is first pressed in the QC Test Mode.</li> </ul> </li> </ul>
12	POWER FAILURE		<ul style="list-style-type: none"> <li>• The washer experienced a power failure.</li> </ul>

# 8. ERROR DIAGNOSIS AND CHECK LIST

## 8-1. DIAGNOSIS AND SOLUTION FOR ABNORMAL OPERATION

SYMPTOM	GUIDE FOR SERVICE CALL	
<p>No power</p>	<p>Is the power plug connected firmly to 120 V AC outlet?</p> <p style="text-align: center;">↓ YES ↓</p> <p>Power failure? or Breaker opened? Is the outlet controlled by a switch?</p> <p style="text-align: center;">↓ NO ↓</p> <p style="text-align: center;">Visit to service.</p>	 
<p>Water inlet trouble</p> 	<p>Is  displayed?</p> <p style="text-align: center;">↓ YES ↓</p> <p>Is the tap opened?</p> <p style="text-align: center;">↓ YES ↓</p> <p>Is the tap frozen?</p> <p style="text-align: center;">↓ NO ↓</p> <p>Is the water supply shut-off?</p> <p style="text-align: center;">↓ NO ↓</p> <p>Is filter in the inlet valve clogged with foreign material?</p> <p style="text-align: center;">↓ NO ↓</p> <p style="text-align: center;">Visit to service.</p>	    <p>Clean the filter of inlet valve</p> 

SYMPTOM	GUIDE FOR SERVICE CALL
<p>Door error</p> 	<p>Started with door opened? YES → </p> <p>NO</p> <p>Close the door. </p> <p>Was the load too large? YES → Avoid overloading.</p> <p>NO</p> <p>Clicking sound is heard once or twice, when the START/PAUSE button is pressed to start the cycle?</p> <p>NO</p> <p>Visit to service.</p> <p>Check if the door switch is OK.</p>
<p>Drain trouble</p> 	<p>Is  displayed? YES → </p> <p>NO</p> <p>Is the drain pump filter clogged with foreign material such as pins, coins, etc? YES → Clean up the filter. </p> <p>NO</p> <p>Is the drain hose frozen, kinked, or crushed? </p> <p>NO</p> <p>Visit to service.</p>

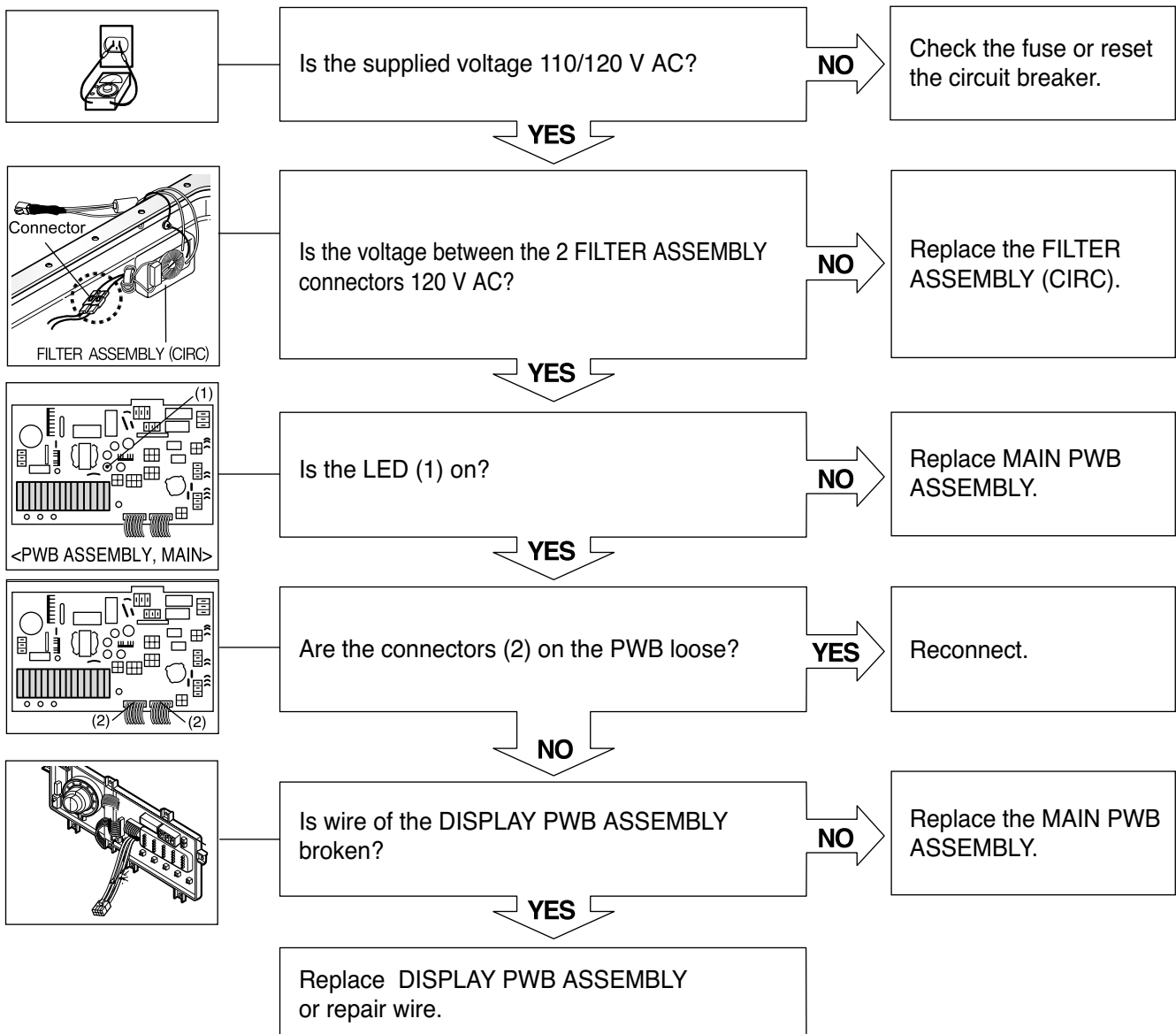
SYMPTOM	GUIDE FOR SERVICE CALL
<p>Suds overflow from the appliance. (In this condition, wash and spin do not operate normally)</p>	<div style="display: flex; justify-content: space-between;"> <div style="width: 65%;"> <p>Is a low-sudsing detergent used?</p> <p style="text-align: center;"><b>YES</b></p> <p>Is the proper amount of detergent used as recommended?</p> <p style="text-align: center;"><b>YES</b></p> <p>Recommend to reduce the amount of detergent.</p> <ul style="list-style-type: none"> <li>* This appliance has an automatic suds sensing function which prevents overflow.</li> <li>* When excessive suds are sensed, the suds removing implementations such as drain, water input, pause will operate, without rotating the drum.</li> </ul> </div> <div style="width: 30%; text-align: center;">  <p><b>LOW-SUDSING</b></p> </div> </div>
<p>Liquid laundry products do not flow in.</p>	<div style="display: flex; justify-content: space-between;"> <div style="width: 65%;"> <p>Is liquid laundry product put in the correct compartment of the dispenser?</p> <p style="text-align: center;"><b>YES</b></p> <p>Is the cap clogged?</p> <p style="text-align: center;"><b>YES</b></p> <p>Explain proper use of liquid laundry products.</p> <p><b>Clean the compartment.</b></p> </div> <div style="width: 30%; text-align: center;">  <p>(1) (4) (3) (2)</p> <p>(1) Liquid chlorine Bleach Compartment (2) Liquid fabric Softener Compartment (3) Prewash Compartment (4) Main Wash Compartment</p> </div> </div>
	<p style="text-align: center;">Visit to service.</p>

## 8-2. FAULT DIAGNOSIS AND TROUBLESHOOTING

### ⚠ CAUTION

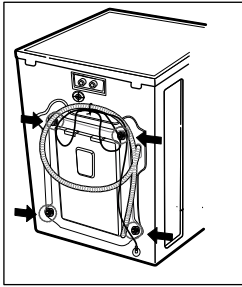
1. Be careful of electric shock if disconnecting parts while troubleshooting.
2. First of all, check the connection of each electrical terminal with the wiring diagram.
3. If you replace the MAIN PWB ASSEMBLY, reinsert the connectors correctly.

### NO POWER





## VIBRATION & NOISE IN SPIN



Have all the transit bolts and base packing been removed?

**NO**

Remove the transit bolts and Base packing.

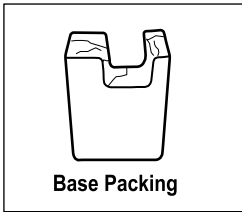
**YES**

Is the washer installed on a solidly constructed floor?

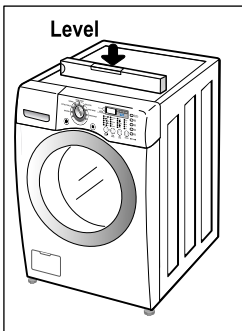
**NO**

Move the washer or reinforce the floor.

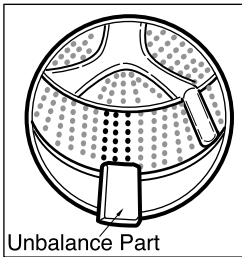
**YES**



Check if the washer is perfectly level as follows:



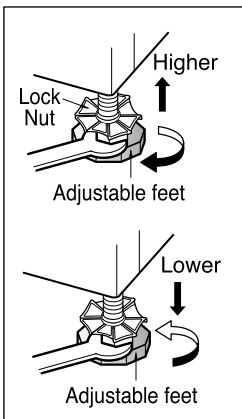
Check the leveling of the washer with a Level and check that the washer is stable.



Put an unbalance part (rubber) inside of drum and start QC test mode and run in high spin (Refer to section 7-2).  
When the machine is spinning in high speed, verify that it is stable.

If you do not have the unbalance part, put 4.5 to 6.5 lbs (2 to 3 kg) of clothing. Once loaded, press power, Rinse+Spin and the start/pause button in sequence.  
When the machine is spinning in high speed, verify that it is stable.

**YES**



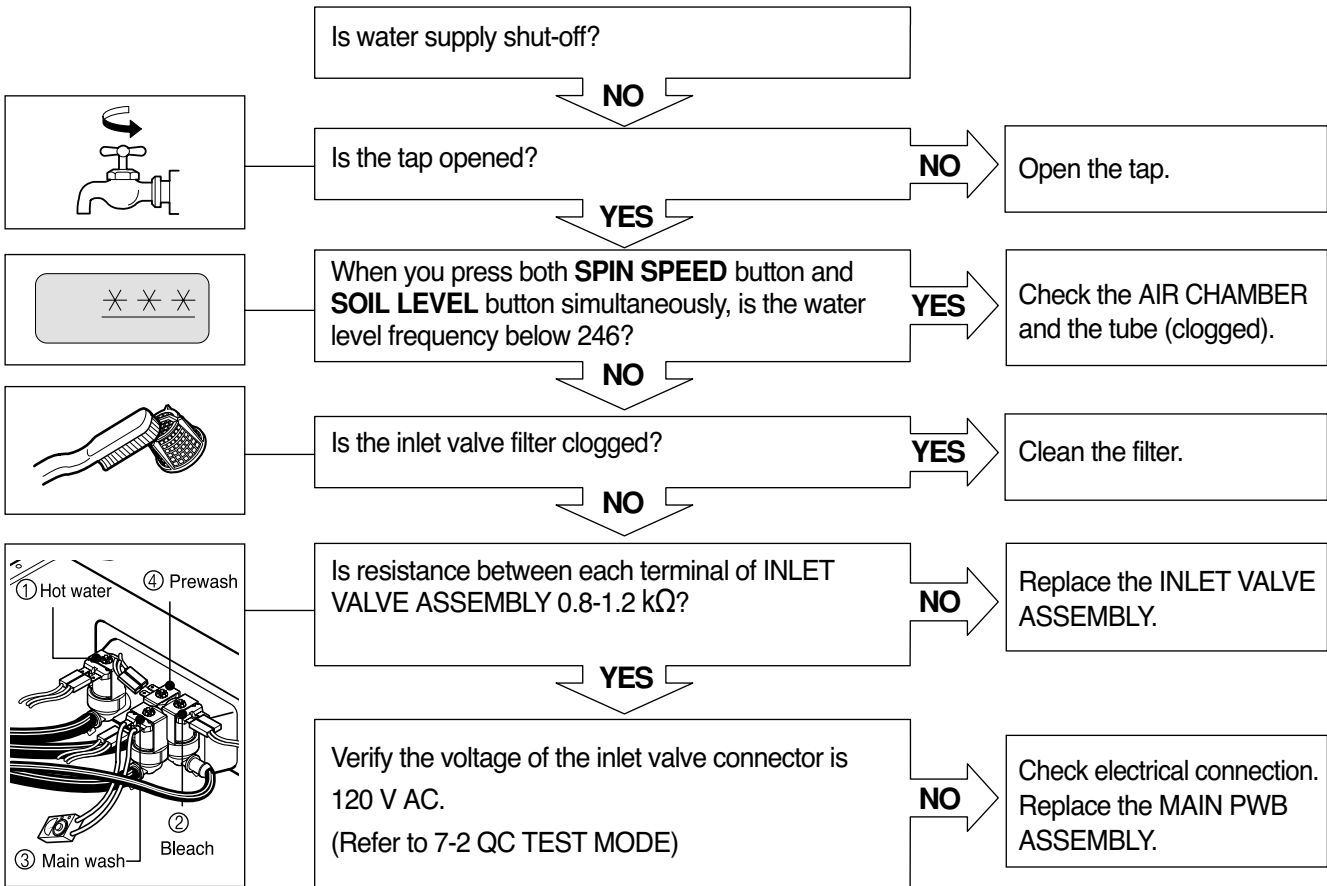
If it is not stable, adjust feet accordingly. After the washer is level, tighten the lock nuts up against of the base of the washer. All lock nuts must be tightened.

---

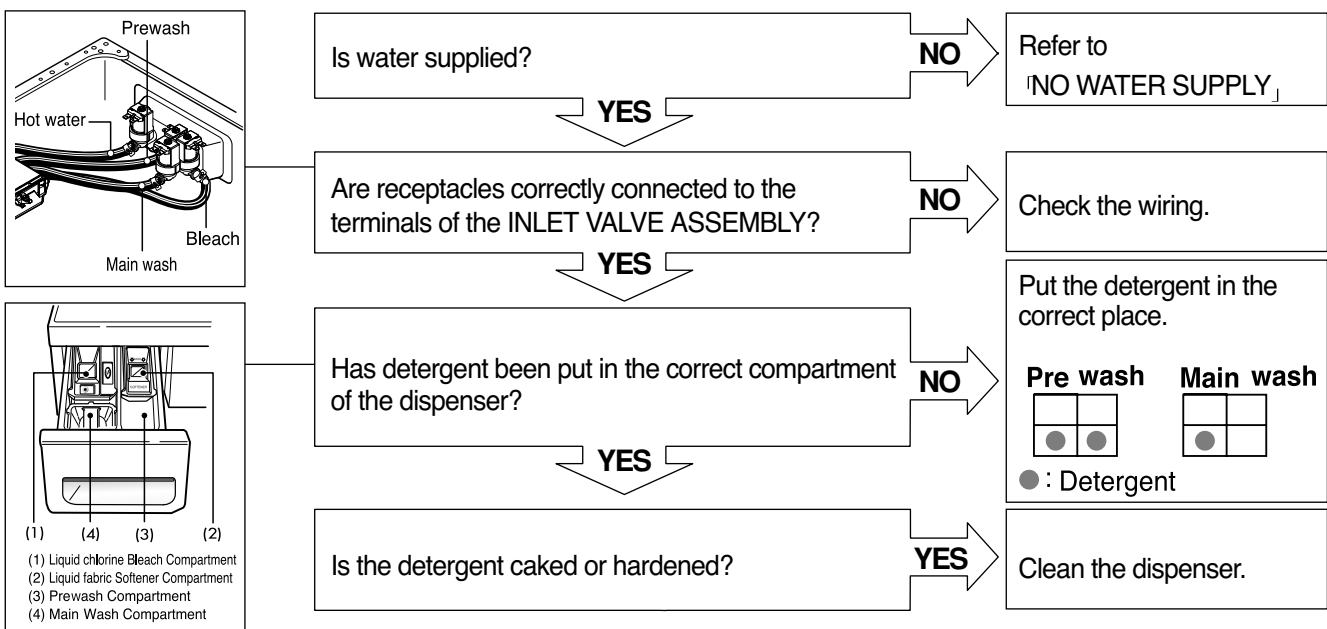
If it still has severe vibration and noise, regulate a specific spin speed that generates excessive vibration and noise as follows:

- 1) Put an unbalance part (rubber) inside of the drum.
  - 2) Start the QC test mode (Refer to section 7-2).
  - 3) Press Delay Wash button, then ' 55 ' is displayed.
  - 4) Press the Spin Speed button repeatedly to select Extra High.
  - 5) Press the Quick Cycle button, the spin speed is displayed.
  - 6) Press the Start/Pause button.
  - 7) Press the Beeper button repeatedly to set spin speed (600, 900, 1020, 1120 rpm) and check if there is vibration and noise.
  - 8) If there is no vibration and noise, increase the spin speed by pressing Beeper button.
  - 9) If there is vibration and noise, rotate the Cycle selector knob clockwise to reduce the Spin Speed (reduce by 50 and 100 rpm). In case of 600 rpm, it can not reduce the spin speed.
  - 10) If vibration and noise are reduced, press the Quick Cycle button to store (2 beep sounds).
- \* If you want to return to factory default spin speed setting, repeat above steps except step 9).

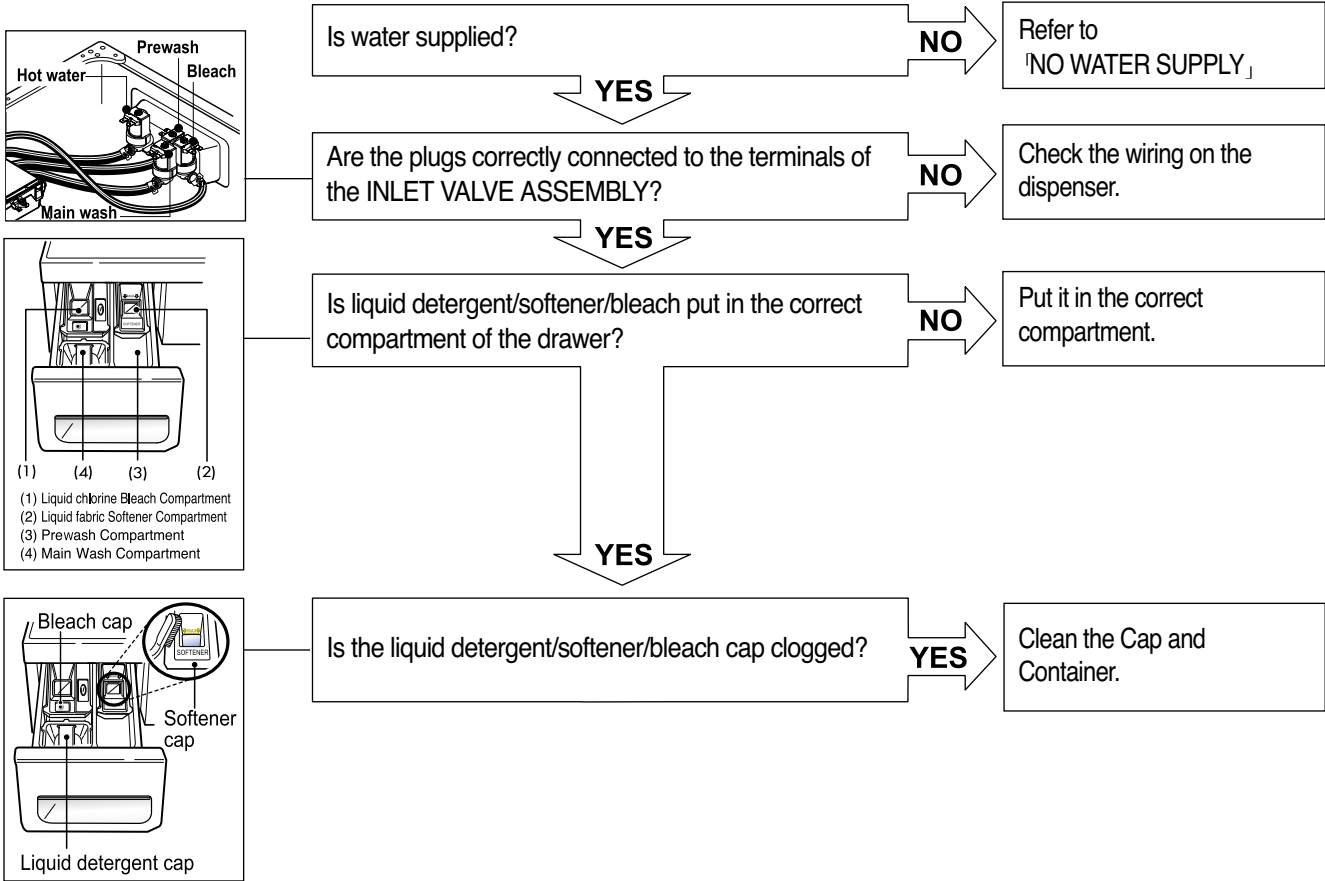
## NO WATER SUPPLY



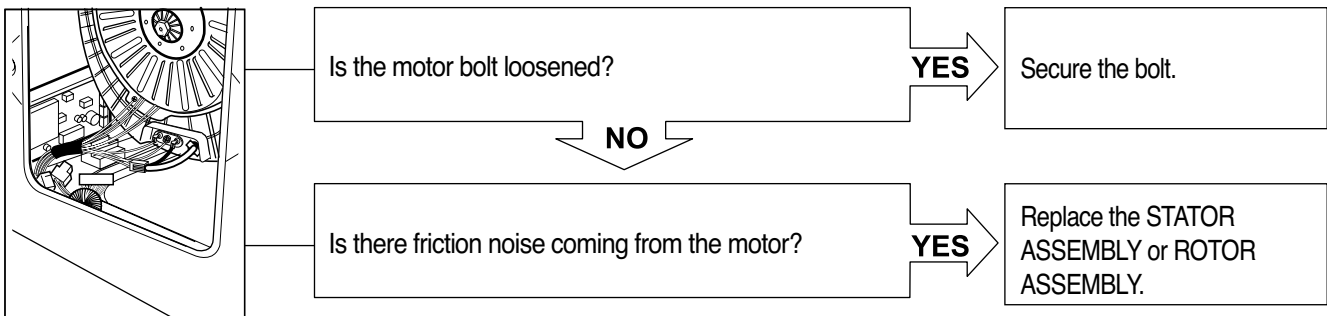
## DETERGENT DOES NOT FLOW IN



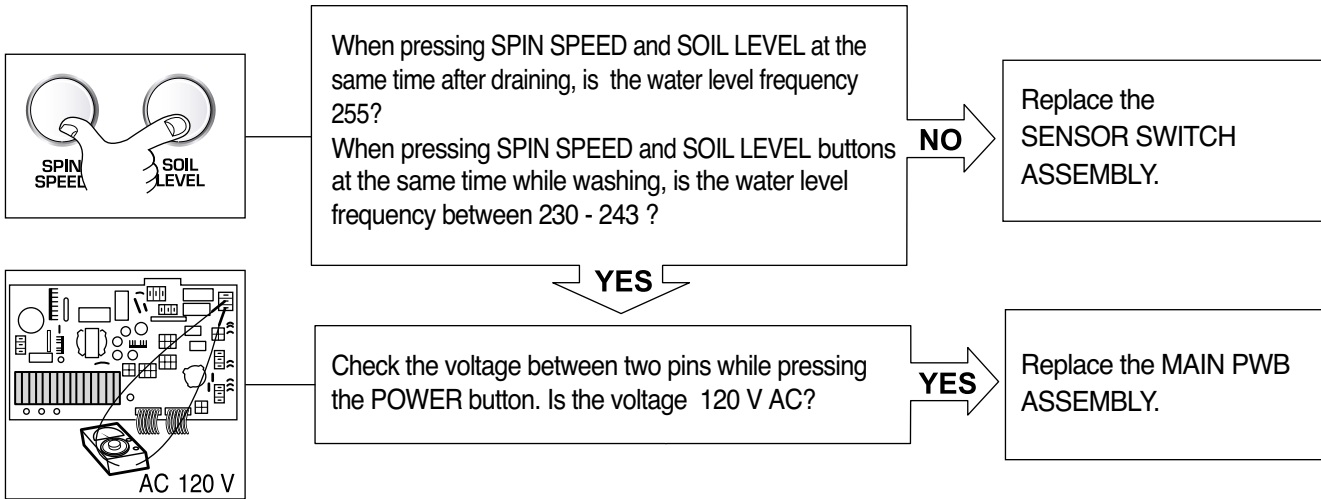
## LIQUID DETERGENT/SOFTENER/BLEACH DOES NOT FLOW IN



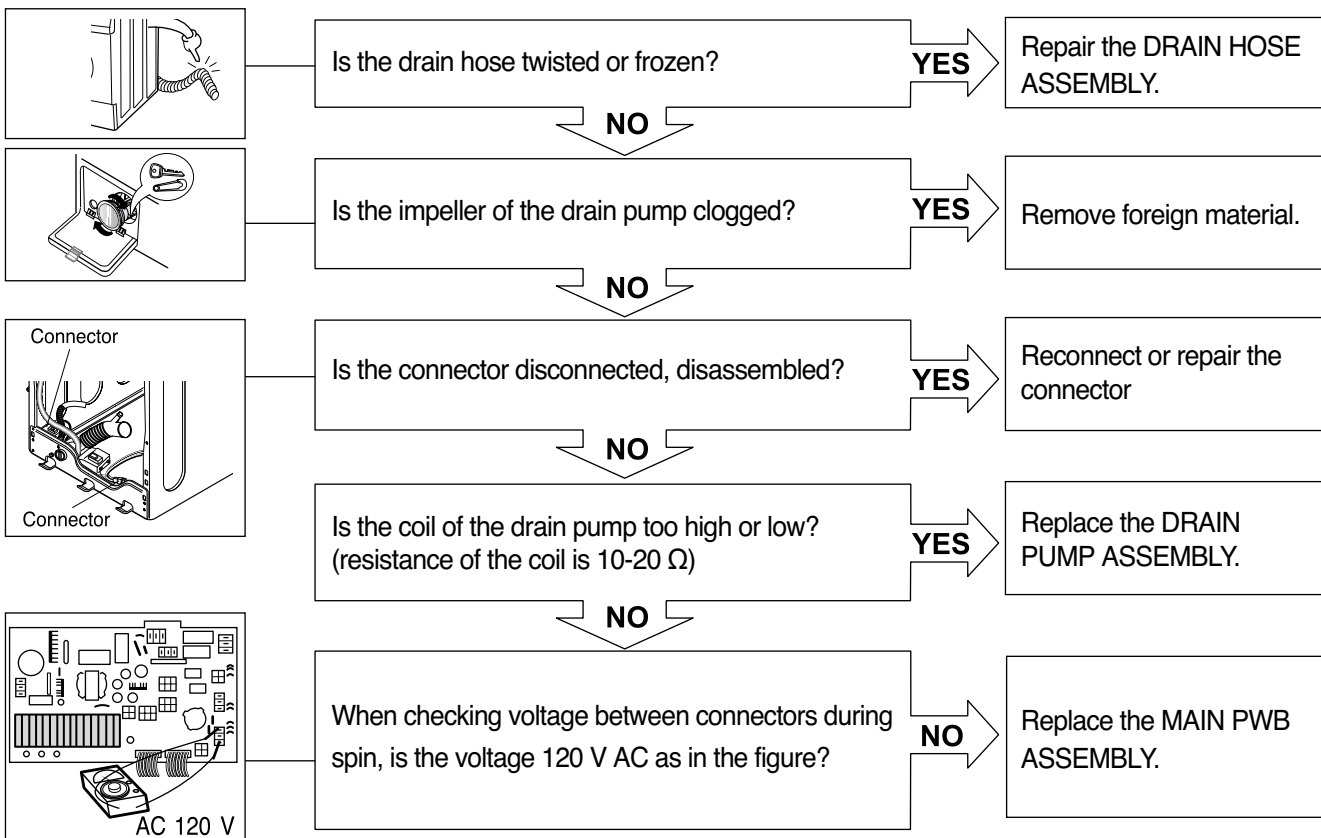
## ABNORMAL SOUND



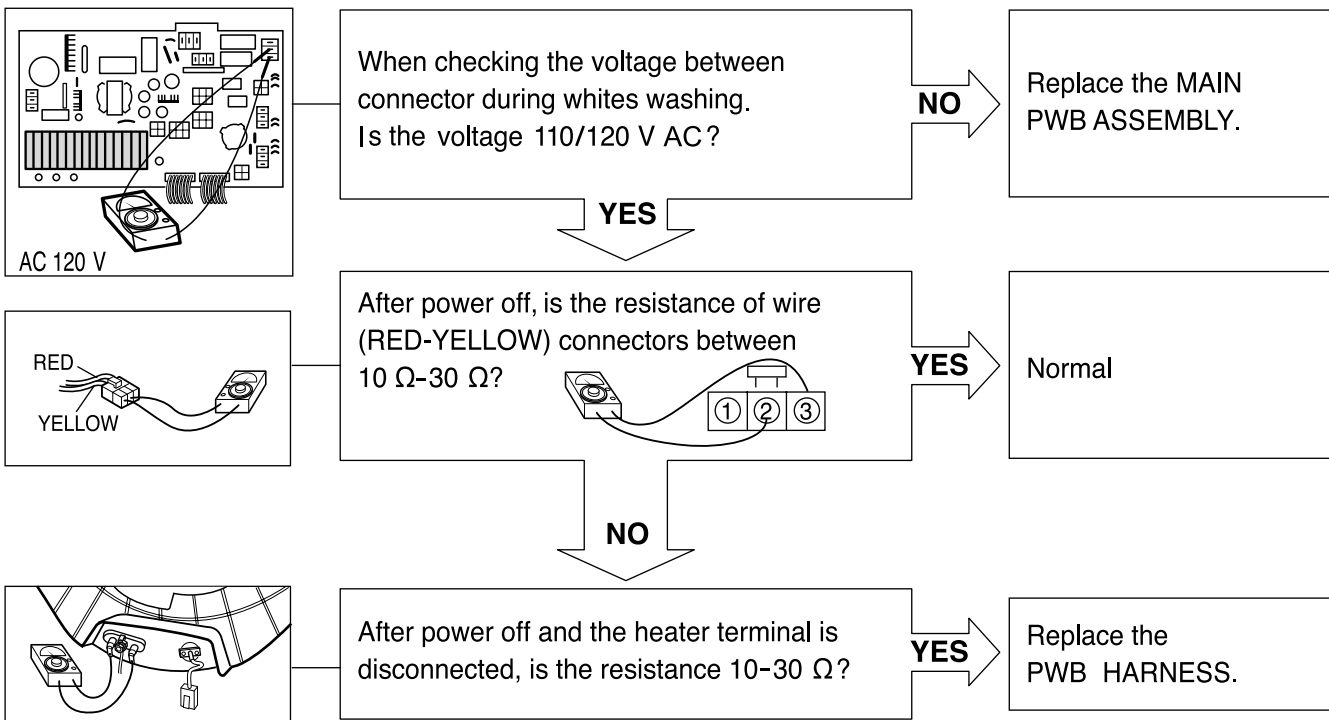
## HEATING WITHOUT WATER



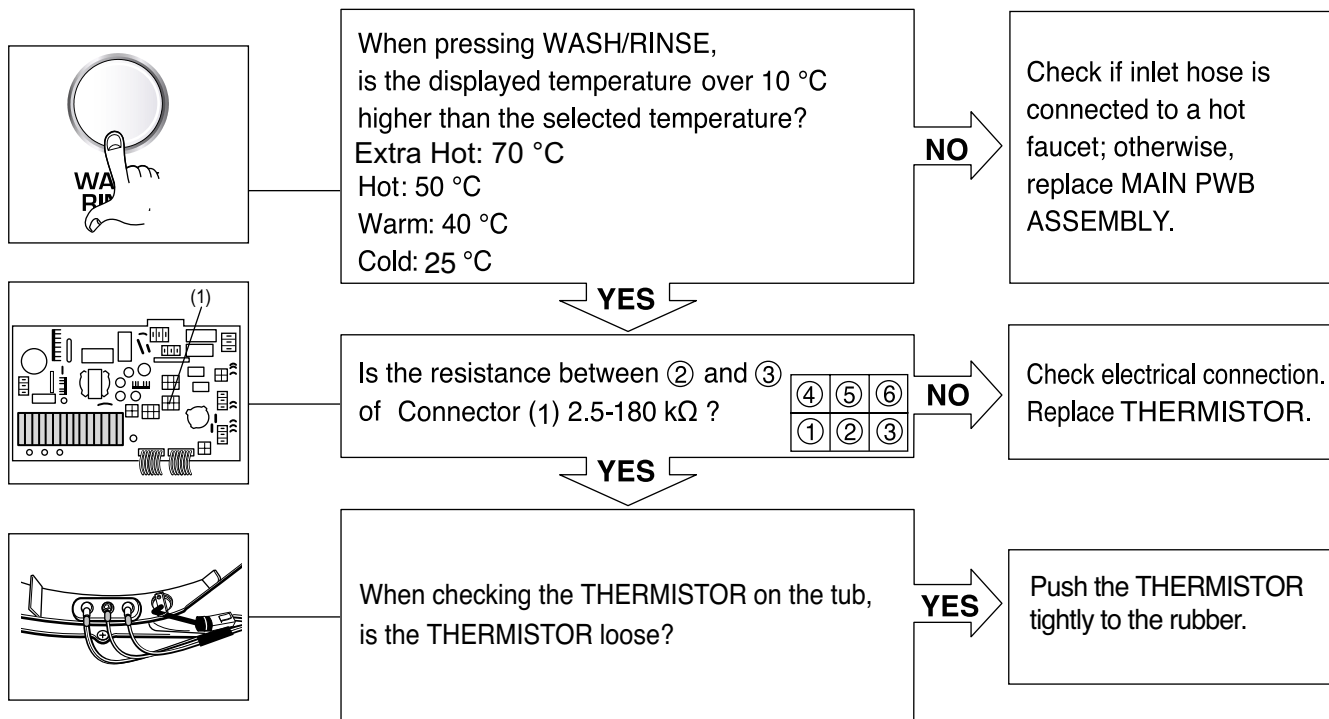
## DRAIN MALFUNCTION



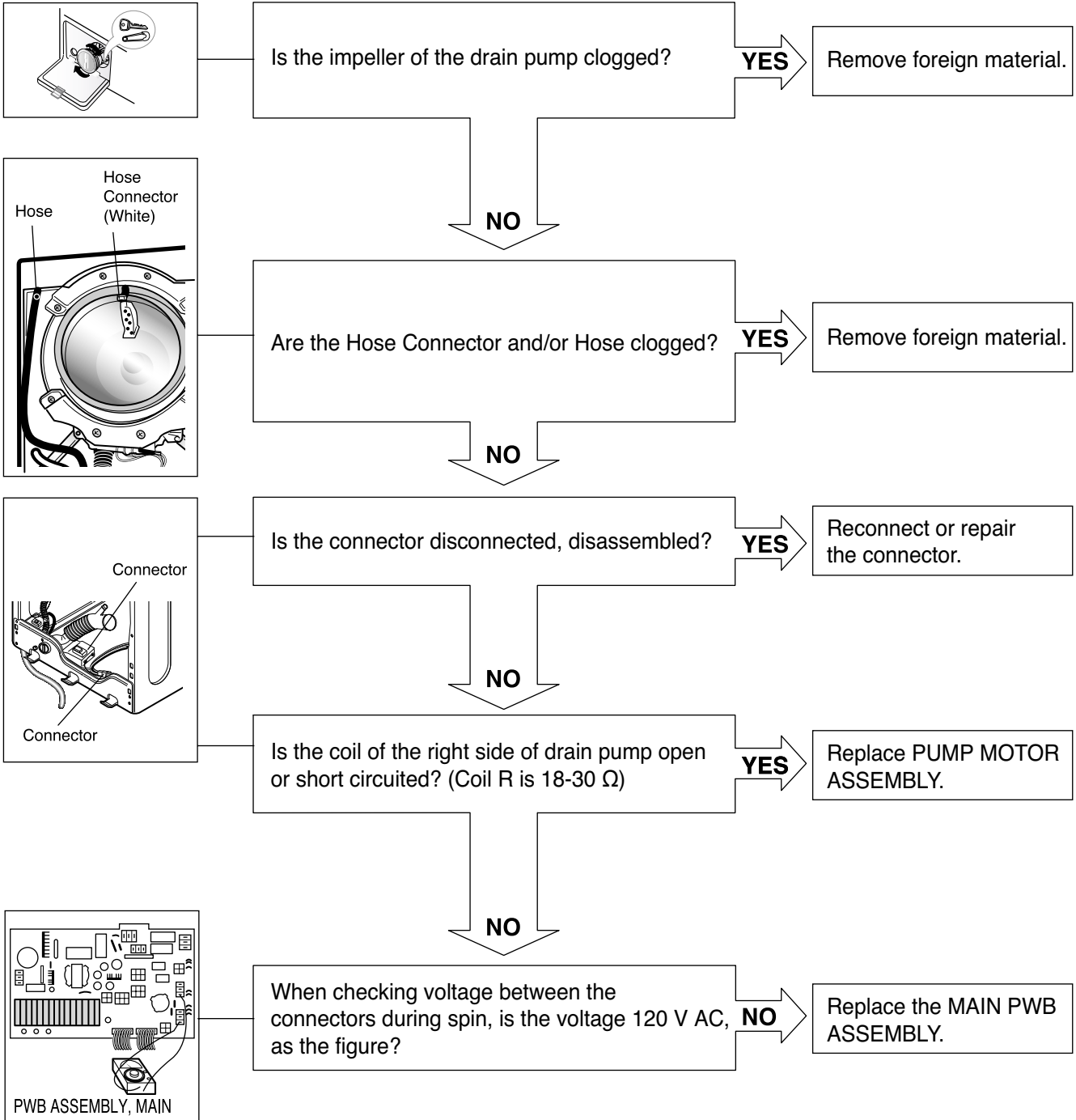
## WASH HEATER TROUBLE



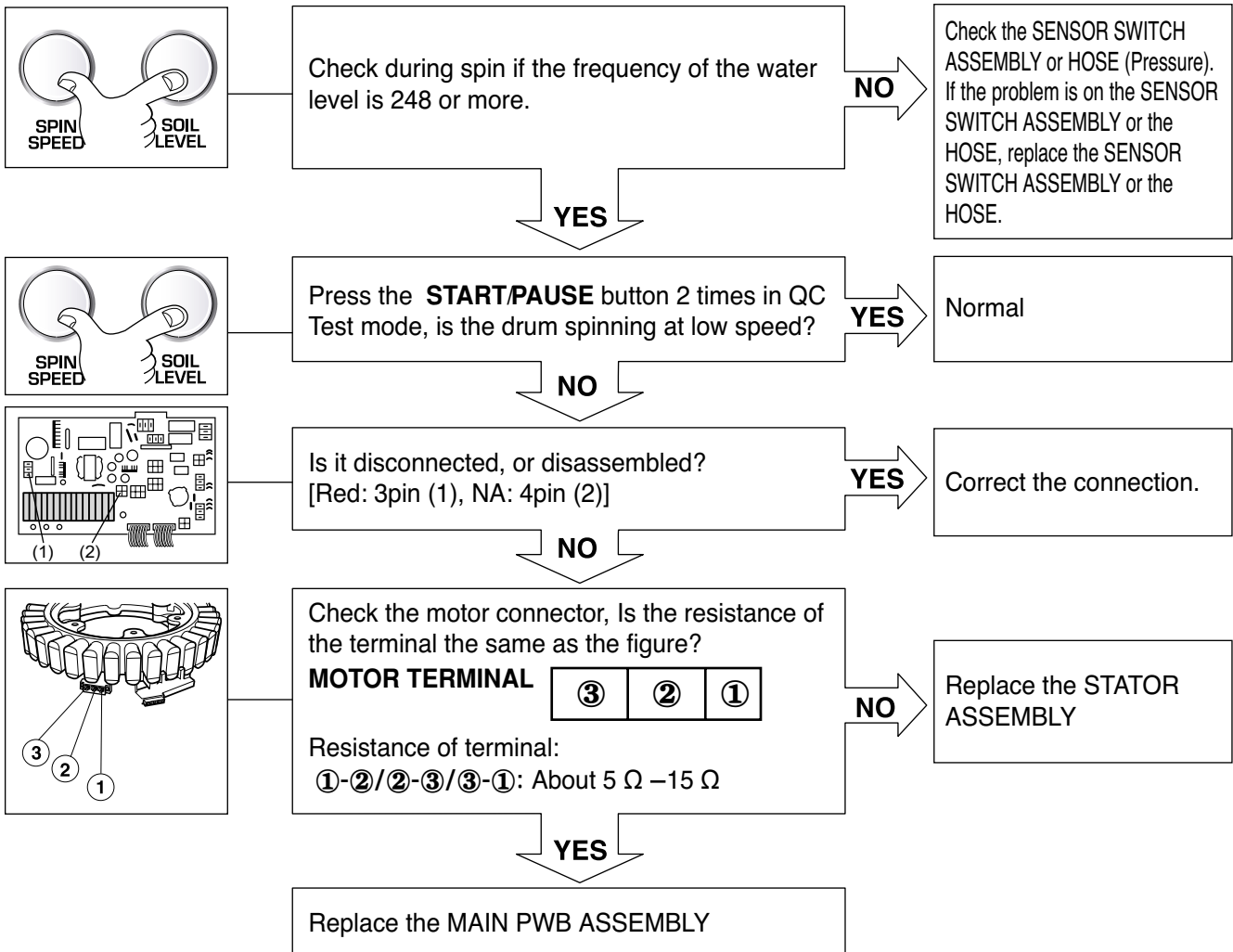
## HEATING CONTINUOUSLY ABOVE THE SETTING WATER TEMPERATURE



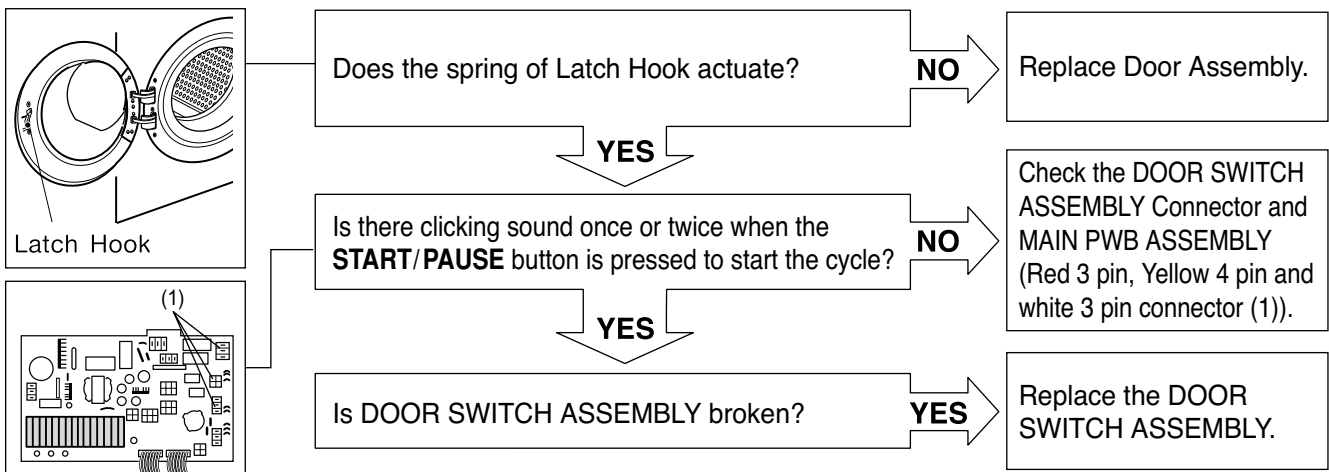
## WILL NOT CIRCULATE WATER



## SPIN TROUBLE



## ERROR

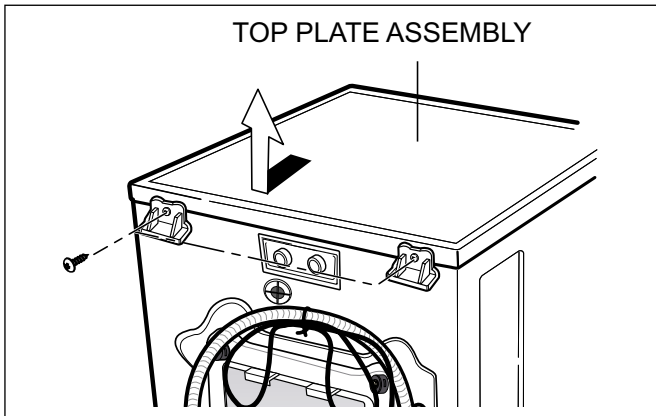




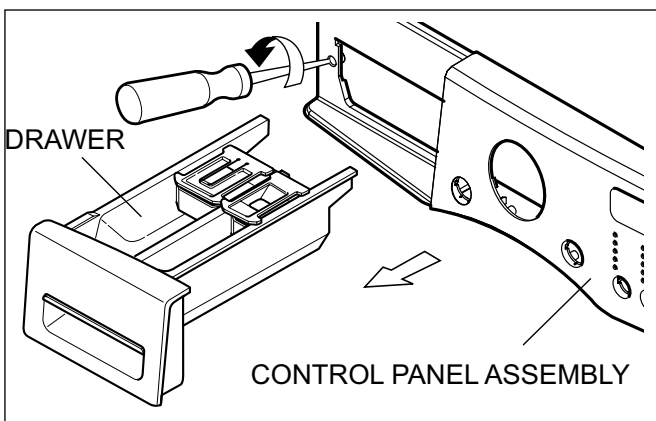
# 9. DISASSEMBLY INSTRUCTIONS

\* Be sure to unplug the machine out of the outlet before disassembling and repairing the parts.

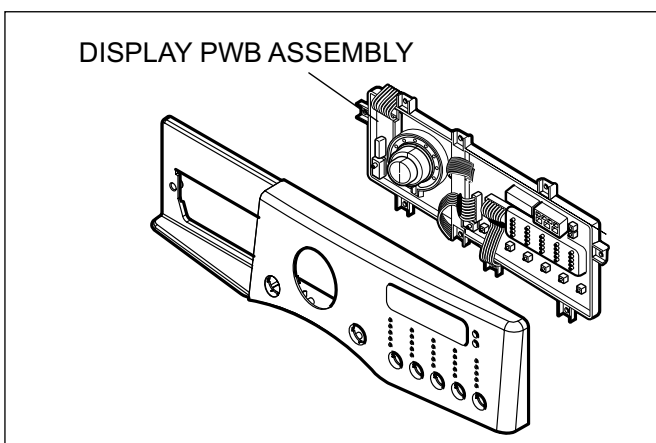
## CONTROL PANEL ASSEMBLY



- ① Unscrew 2 screws on the back of the top plate.
- ② Pull the top plate backward and upward as shown.

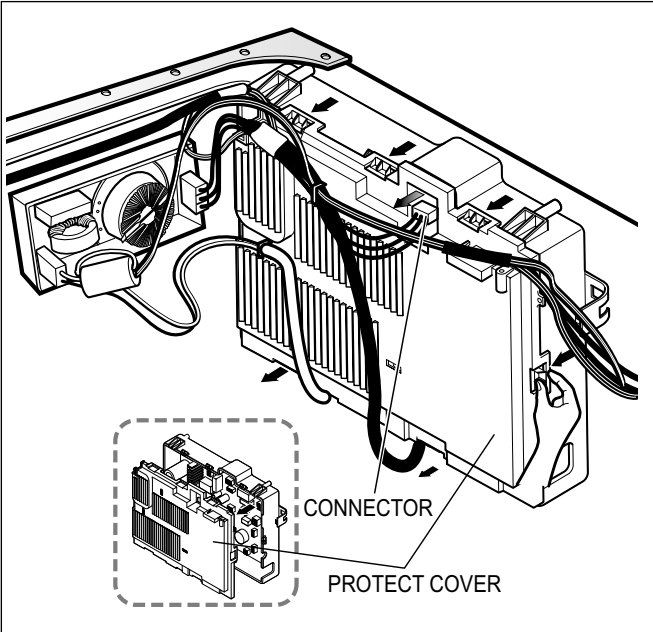


- ③ Disconnect the Display PWB Assembly connector from Trans cable.
- ④ Pull out the drawer and unscrew 2 screws.
- ⑤ Lift the left side of the Control Panel Assembly and pull it out.

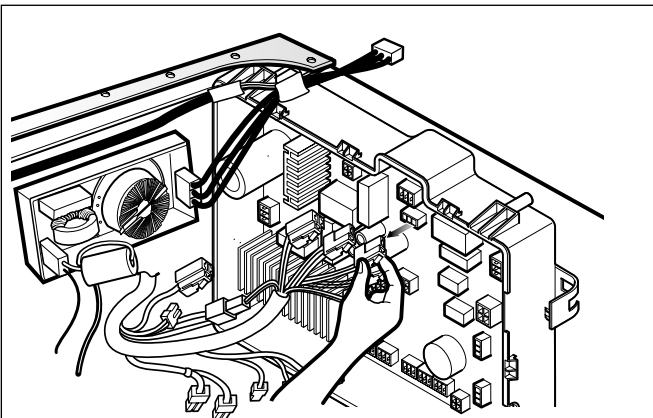


- ⑥ Unscrew the 9 screws from the Control Panel Assembly.
- ⑦ Disassemble the Display PWB Assembly.

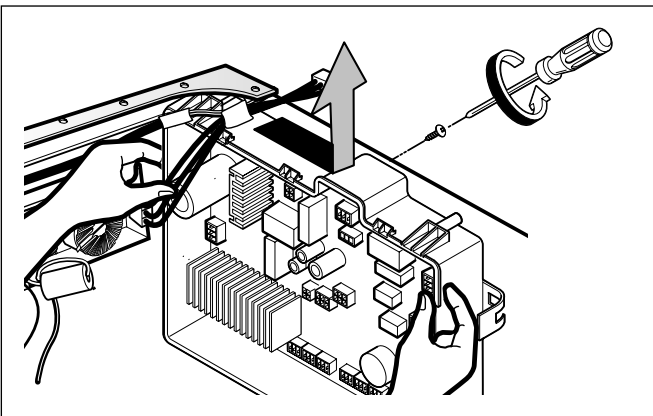
## MAIN PWB ASSEMBLY



- ① Disconnect the POWER connector and SENSOR SWITCH ASSEMBLY.
- ② Remove the Protect Cover.

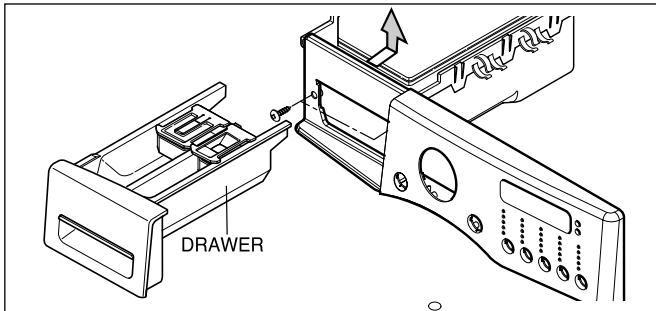


- ③ Disconnect the connectors.

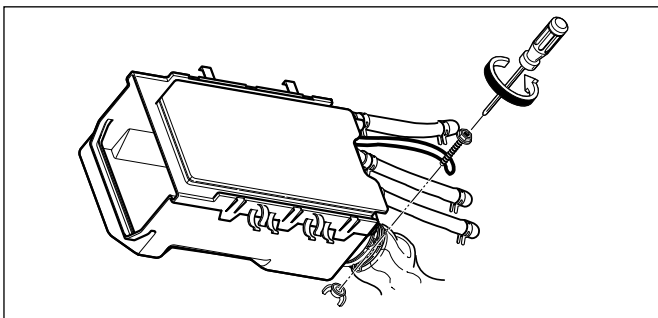


- ④ Unscrew 1 screw on the back.
- ⑤ Disassemble the Main PWB.

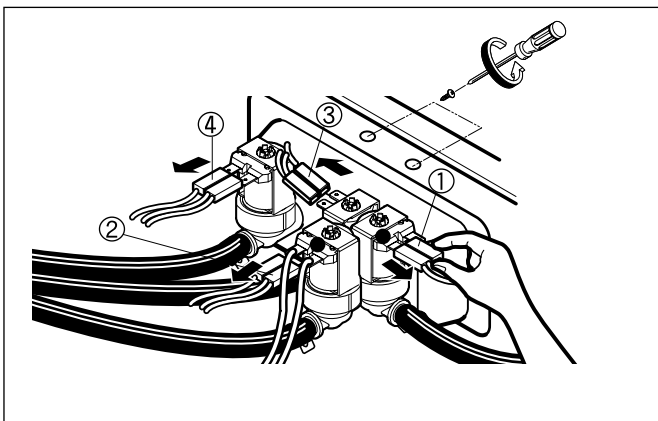
## DISPENSER ASSEMBLY



- ① Disassemble the top plate assembly.
- ② Pull out the drawer.
- ③ Push out the DISPENSER ASSEMBLY after unscrew 2 screws.



- ④ Unscrew the nut at the lower part of the dispenser.



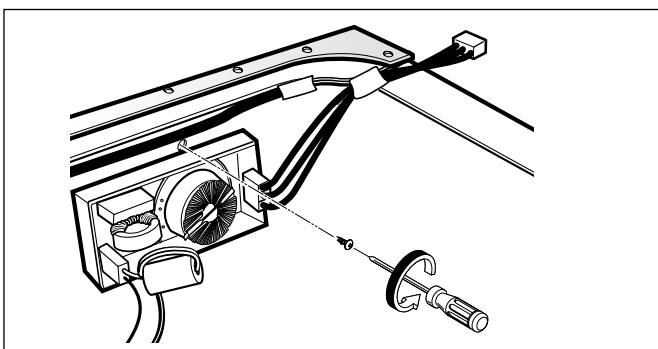
- ⑤ Disassemble the 4 connectors from the valves.

### ※ Wire Color

- ① Blue Housing (OR-BK)
- ② White Housing (WH-BK)
- ③ Blue Housing (GY-BK)
- ④ Red Housing (BL-BK)

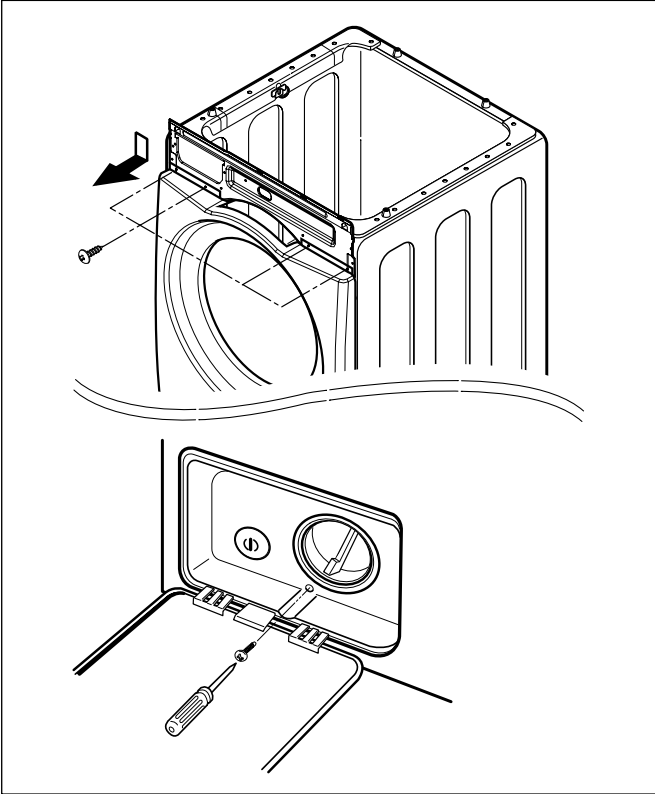
- ⑥ Unscrew 2 screws from the back of the cabinet.

## NOISE FILTER

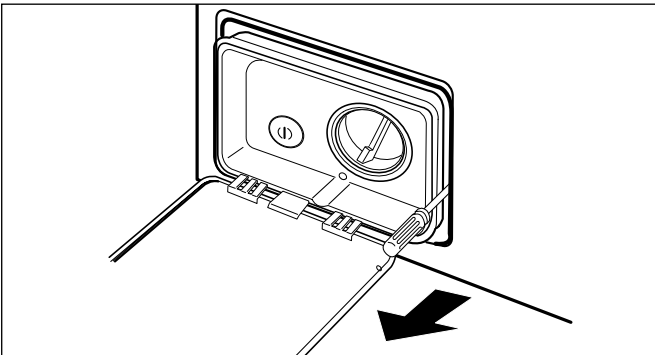


- ① Disassemble two (or three) connectors from the NOISE FILTER.
- ② Unscrew a screw from the TOP BRACKET.

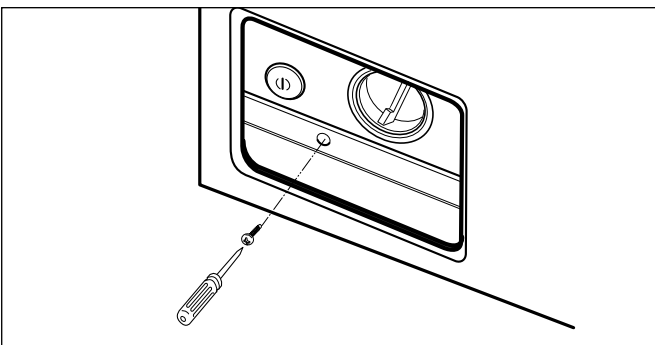
## CABINET COVER



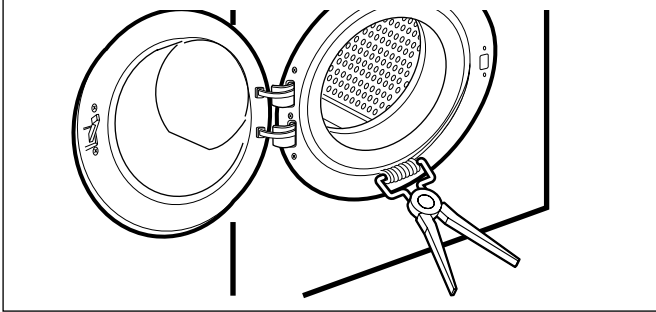
- ① Unscrew the 4 screws from upper of the cabinet cover.
- ② Unscrew the screw from filter cover.



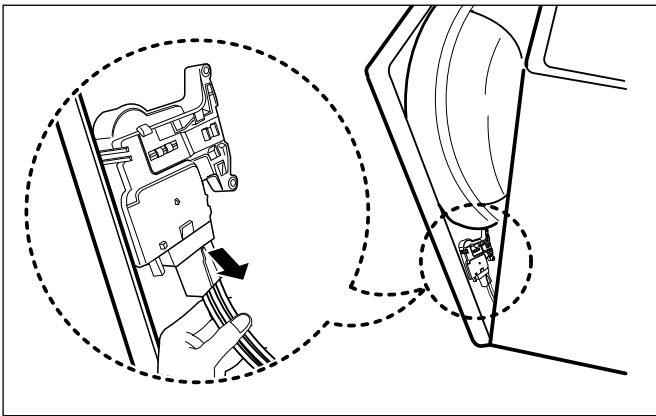
- ③ Put a flat ( - ) screwdriver or putty knife into the both sides of the filter cover, and pull it out.



- ④ Unscrew the screw from the lower side of the cabinet cover.

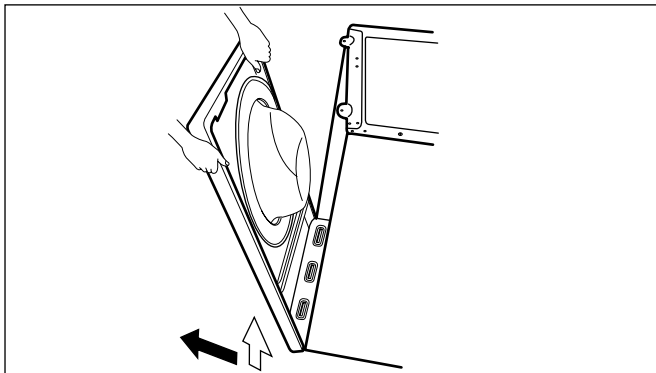


- ⑤ Open the door.
- ⑥ Disassemble the clamp assembly.

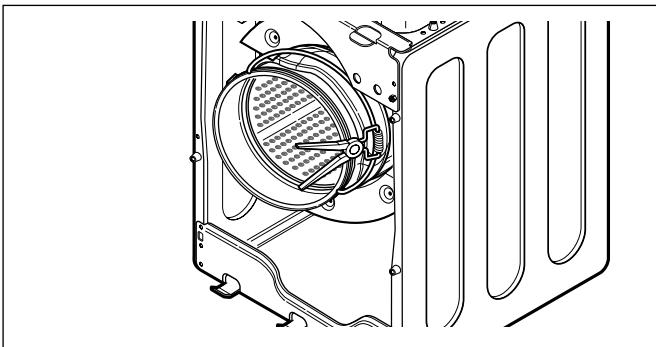


- ⑦ Tilt the cabinet cover.
- ⑧ Disconnect the door switch connector.

※ **NOTE:** When assembling the CABINET COVER, connect the connector.

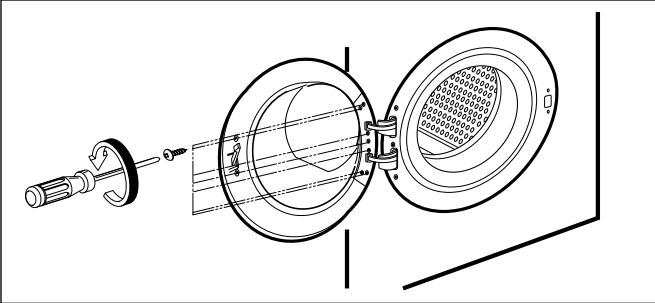


- ⑨ Lift and separate the cabinet cover.

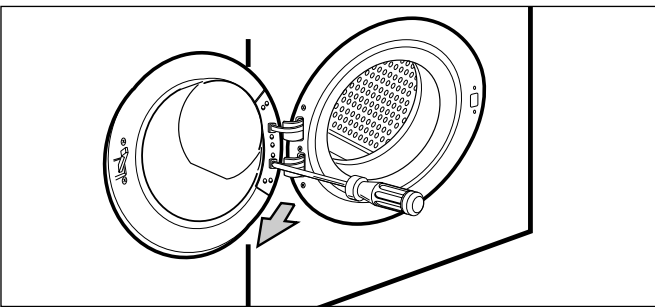


- ⑩ Disassemble the clamp assembly.
- ⑪ Disassemble the Gasket.

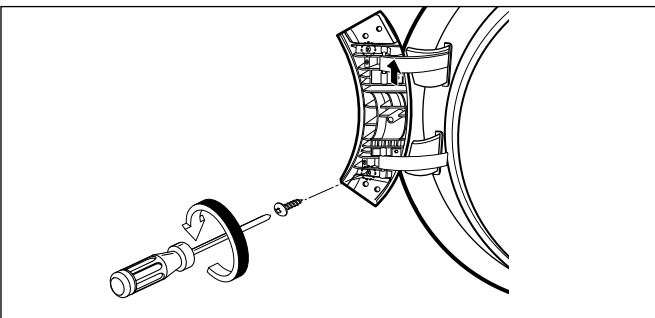
## DOOR



- ① Open the door.
- ② Unscrew the 7 screws from the HINGE COVER.



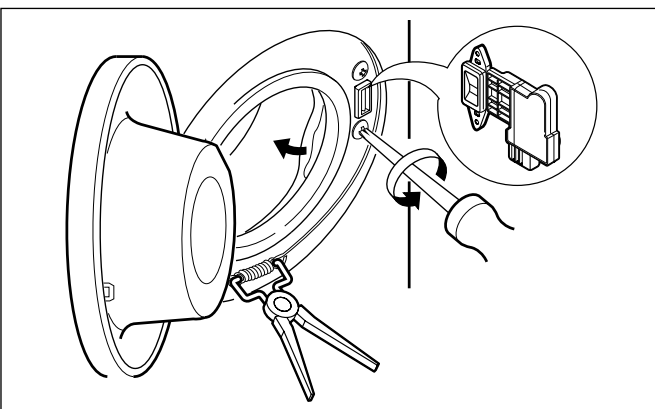
- ③ Put a flat ( - ) screwdriver into the opening of the hinge, and pull out the hinge cover.



- ④ Unscrew a screw from the lower side of door.
- ⑤ Disassemble the door upward.

※ **Be careful!** The door is heavy.

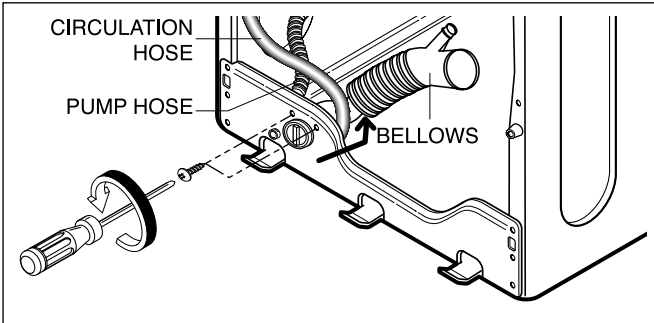
## DOOR LOCK SWITCH ASSEMBLY



- ① Open the door and disassemble the CLAMP ASSEMBLY.
- ② Unscrew the 2 screws.

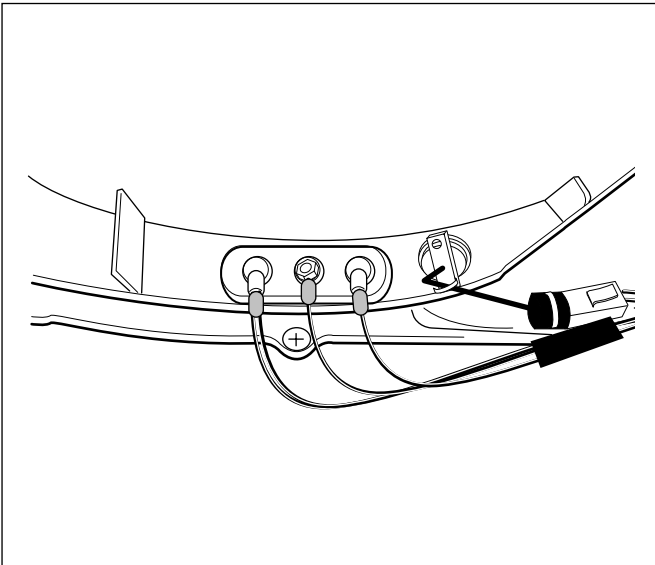
※ **NOTE**  
• Reconnect the connector after replacing the DOOR SWITCH ASSEMBLY.

## PUMP



- ① Disassemble the cabinet cover.
- ② Separate the pump hose, the bellows and the circulation hose assembly from the pump assembly.
- ③ Disassemble the pump assembly in arrow direction.

## HEATER

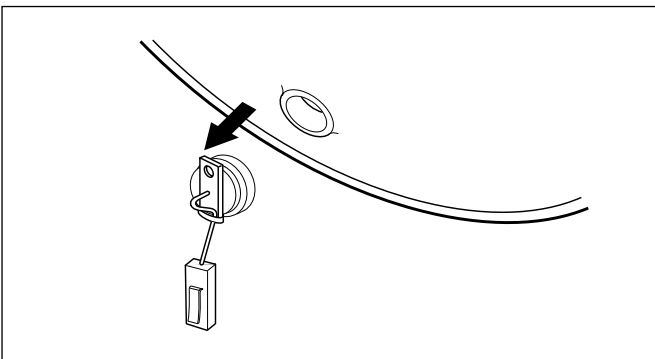


- ① Disassemble the cabinet cover.
- ② Separate 2 connectors from the heater.
- ③ Loosen the nut and pull out the heater.

### ※ CAUTION

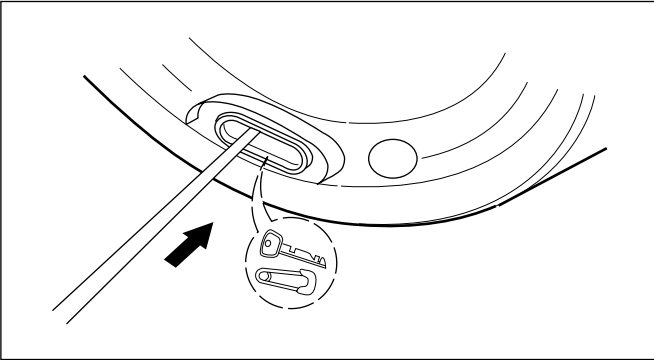
- When assembling the heater, insert the heater into the heater clip on the bottom of the tub.
- Tighten the fastening nut so the heater is secure.

## THERMISTOR



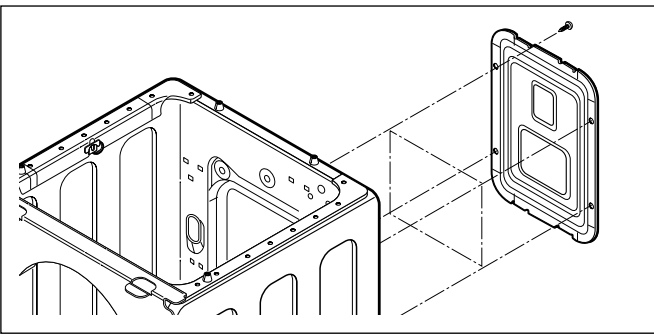
- ① Disassemble the cabinet cover.
- ② Unplug the white connector from the thermistor.
- ③ Pull it out by holding the bracket of the thermistor.

## WHEN FOREIGN OBJECT IS STUCK BETWEEN DRUM AND TUB

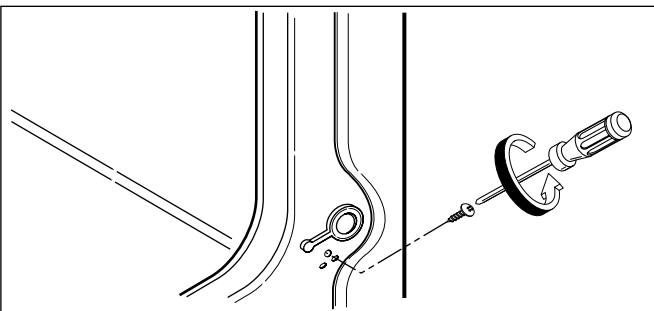


- ① Disassemble the cabinet cover.
- ② Separate the heater from the tub.
- ③ Remove any foreign objects (wire, coin, etc.) by inserting a long bar in the opening.

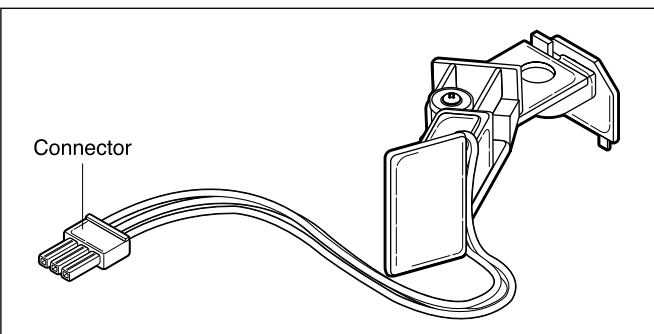
## SENSOR ASSEMBLY (BALL SENSOR)



- ① Unscrew the 4 screws from the back cover.



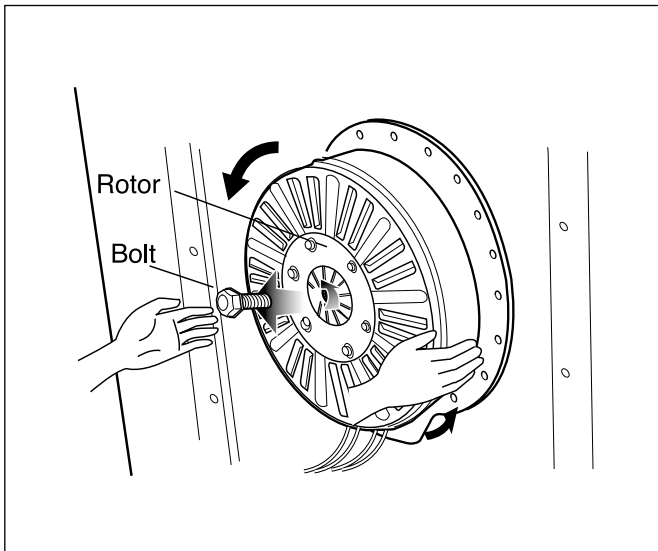
- ② Unscrew the single screw from the lower-right side of the cabinet.



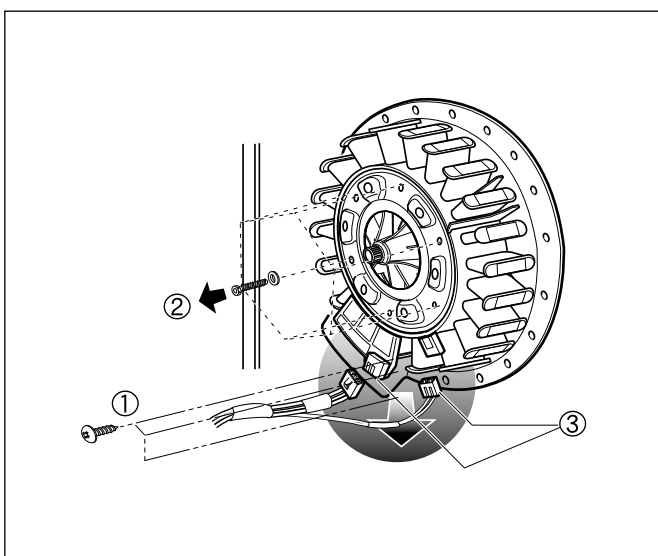
- ③ Disconnect the connector from PWB Harness.



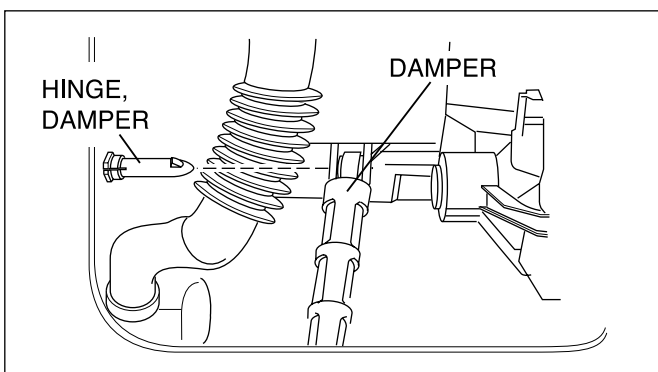
## MOTOR/DAMPER



- ① Disassemble the back cover.
- ② Remove the bolt.
- ③ Pull out the Rotor.



- ① Unscrew the 2 screws from the tub bracket.
- ② Remove the 6 bolts on the stator.
- ③ Unplug the 2 connectors from the stator.



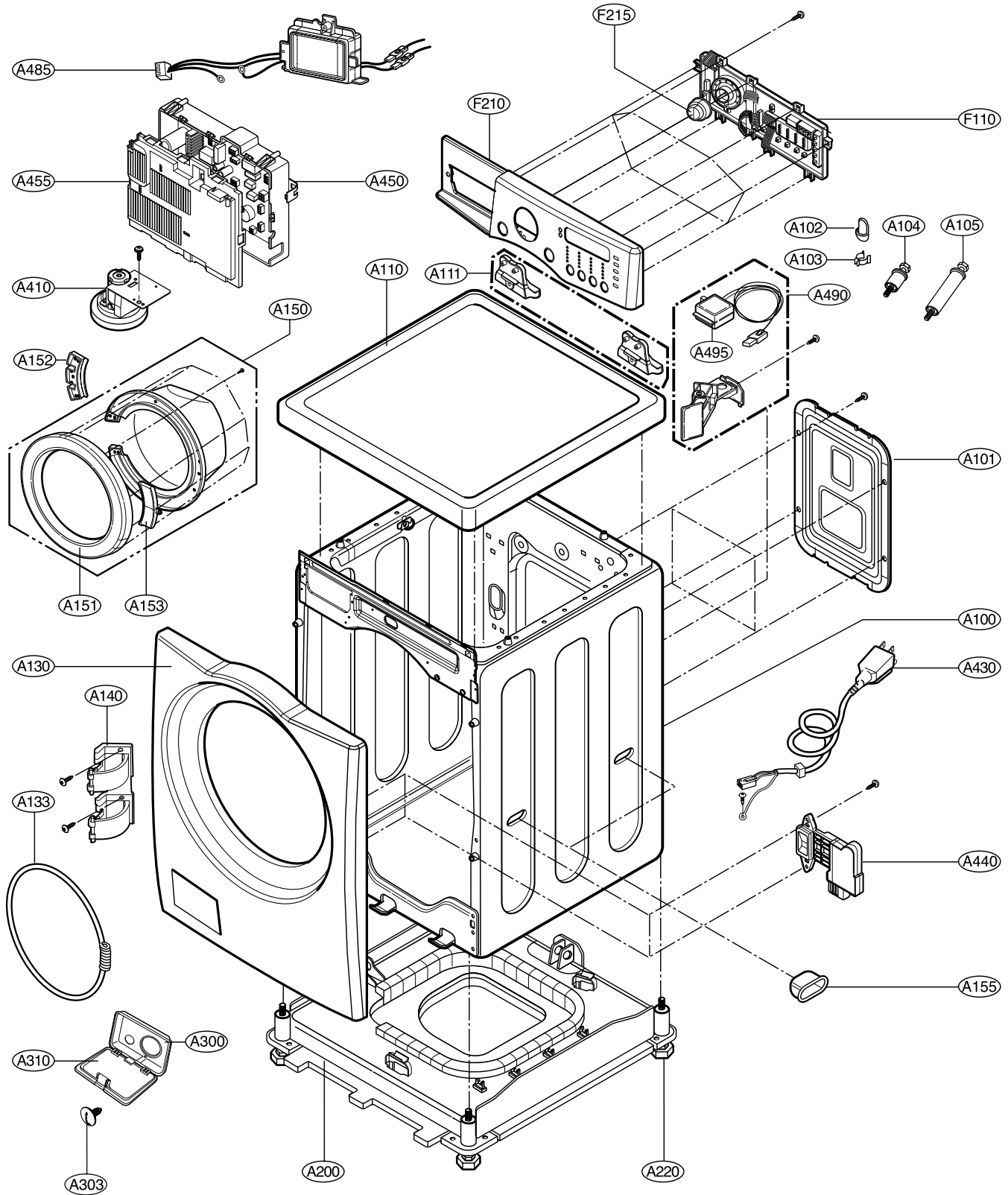
- ① Disassemble the damper hinges from the tub and base.
- ② Separate the dampers.

※ **NOTE**

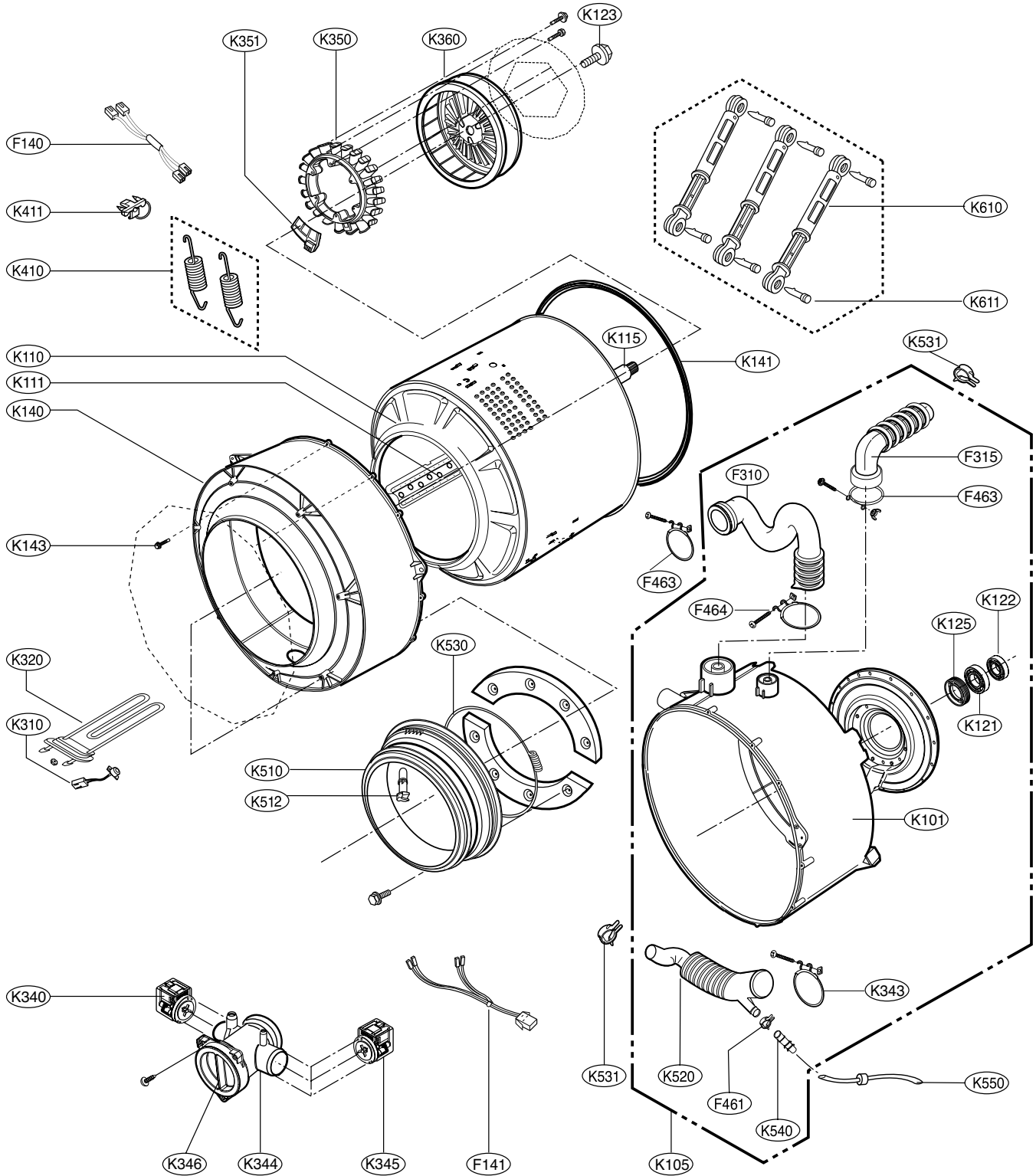
- Once removed, replace the damper pin with new one.

# 10. EXPLODED VIEW

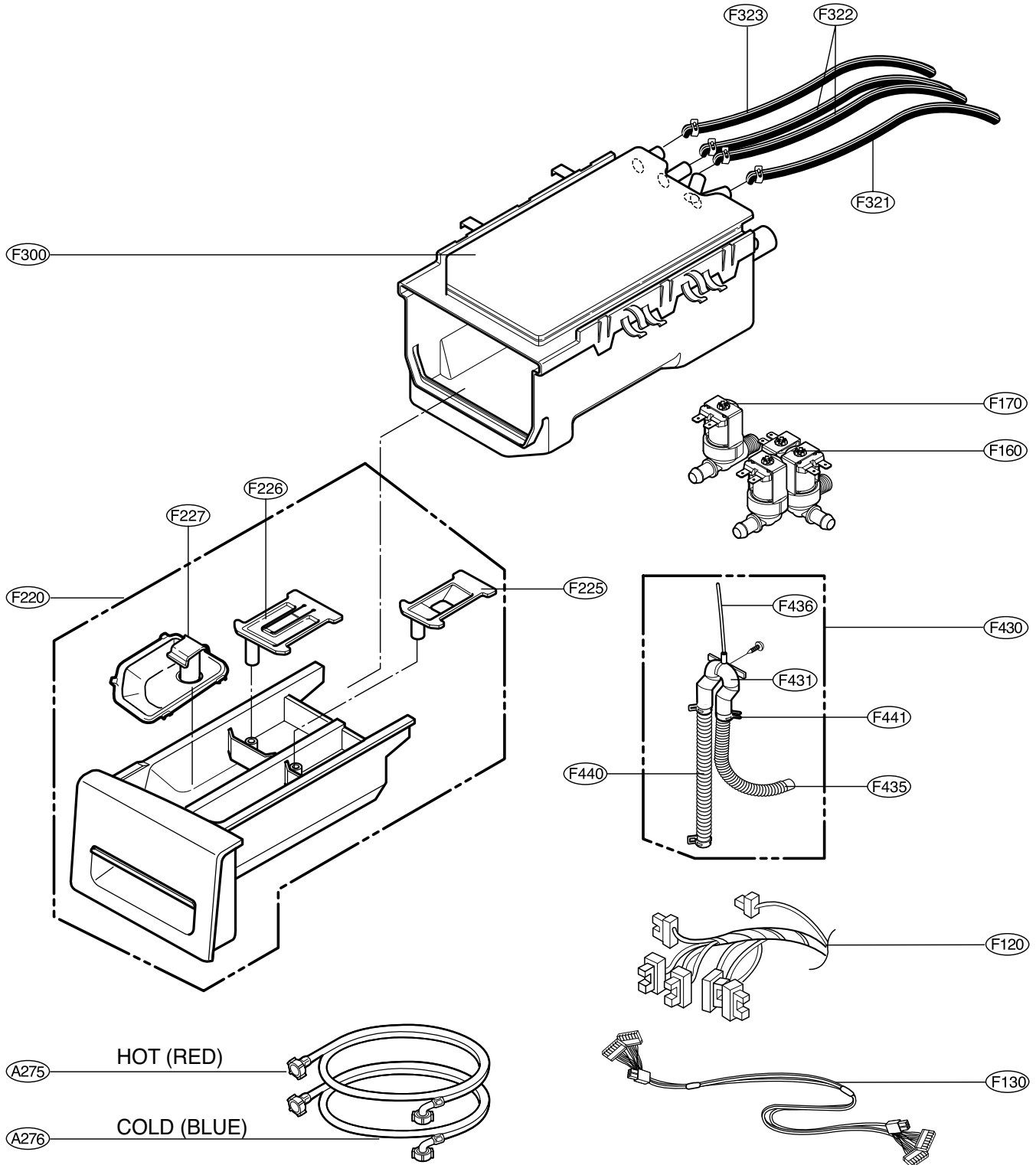
## 10-1. CABINET & CONTROL PANEL ASSEMBLY



# 10-2. DRUM & TUB ASSEMBLY



# 10-3. DISPENSER ASSEMBLY



**REPLACEMENT PARTS LIST**

**CAUTION :** Before replacing any part of these components  
Read carefully the safety precautions in this manual

**NOTE :** S(Safety Parts), AL(Alternative parts)

LG MODEL: WD-11270BD.ABWEEUS		SPECIFICATION: 120V 60Hz		Run_Date : 2004-04-09		
YOUR MODEL: WM2277HW						
S	AL	LOC	DESCRIPTION	PARTS No.	Q'TY	REMARKS
		*001	MANUAL ASSEMBLY,OWNERS	3829ER3021Q	1	
		*002	BOX,CARTON	3890EZ3524A	1	
		*003	SPANNER	3W20018B	1	
		*004	MANUAL,SERVICE	3828ER3018Y	0	
		*005	MANUAL,OWNERS	3828ER3024X	0	
		A100	CABINET ASSEMBLY	3091ER0004A	1	
		A101	COVER,BACK	3808FR1202A	1	
		A102	BUSHING	4830ER3001A	1	
		A103	HOLDER	4930FR3151A	1	
		A104	BOLT ASSEMBLY	4011FR3159E	2	
		A105	BOLT ASSEMBLY	4011FR3159D	2	
		A110	TOP PLATE ASSEMBLY	3457ER1006C	1	
		A130	COVER,CABINET	3550ER0009B	1	
		A133	CLAMP ASSEMBLY	2W20017E	1	
		A140	HINGE ASSEMBLY	4775ER2002A	1	
		A150	DOOR ASSEMBLY	3581ER1008A	1	
		A151	DOOR FRAME,OUTER	3212ER1023A	1	
		A152	DOOR FRAME,INNER	3212ER1016A	1	
		A153	HANDLE	3650ER2004A	1	
		A155	HANDLE	3650FA3488M	4	
		A200	BASE ASSEMBLY,CABINET	3041ER0001C	1	
		A220	LEG ASSEMBLY	4779ER3002A	4	
		A275	HOSE,INLET	5215FD3715G	1	
		A276	HOSE,INLET	5215FD3715H	1	
		A300	CASE	3110ER2003A	1	
		A303	CAP,COVER	5006FR3146D	1	
		A310	CAP,COVER	5006ER2003A	1	
i		A410	SWITCH ASSEMBLY,SENSOR SWITCH	6600FA1704X	1	
i		A430	POWER CORD ASSEMBLY	6411ER1005A	1	
i		A440	SWITCH ASSEMBLY,DOOR	6601ER1004C	1	
i		A450	PWB(PCB) ASSEMBLY,MAIN	6871EC1087C	1	
		A455	COVER,PROTECT	3550ER1020A	1	
		A485	FILTER ASSEMBLY(CIRC)	6201EC1004U	1	
		A490	BRACKET ASSEMBLY	4811ER3001A	1	
		A495	SENSOR ASSEMBLY	6501FA2462C	1	
i		F110	PWB(PCB) ASSEMBLY,DISPLAY	6871EC1116A	1	
i		F120	HARNESS,PWB	6877ER1023C	1	
		F130	CABLE,FLAT	6850EC2001A	1	
i		F140	HARNESS,MOTOR	6877ER1016B	1	
i		F141	HARNESS,MOTOR	6877ER3003B	1	
i		F160	VALVE ASSEMBLY,INLET	5221ER1003A	1	
		F170	VALVE ASSEMBLY,INLET	5220FR2006H	1	
i		F210	PANEL ASSEMBLY,CONTROL	3721ER1126A	1	
		F215	KNOB ASSEMBLY	4941ER3002A	1	
		F220	PANEL ASSEMBLY,DRAWER	3721ER1073D	1	
		F225	CAP,SOFTENER	5006ER3014B	1	
		F226	CAP,SIPHONE	5006ER3018A	1	
		F227	BOX ASSEMBLY,DETERGENT	3891ER2003A	1	
		F300	DISPENSER ASSEMBLY	4925ER1015B	1	
		F310	BELLOWS	4738ER1004B	1	
		F315	BELLOWS	4738ER2002A	1	
		F321	HOSE,INLET	5214ER4001A	1	
		F322	HOSE,INLET	5214ER4001B	2	
		F323	HOSE,INLET	5214ER4001J	1	

LG MODEL: WD-11270BD.ABWEEUS			Run_Date : 2004-04-09			
YOUR MODEL: WM2277HW			SPECIFICATION: 120V 60Hz			
S	AL	LOC	DESCRIPTION	PARTS No.	Q'TY	REMARKS
		F430	HOSE ASSEMBLY,DRAIN	5215ER2002G	1	
		F431	CONNECTOR (MECH),DRAIN HOSE	4932FR3156A	1	
		F435	HOSE,DRAIN	5214FD3663E	1	
		F436	HOSE,INLET	5214FR4125S	1	
		F440	HOSE,PUMP	5214FR3188K	1	
		F441	CLAMP	4861FR3068C	3	
		F461	CLAMP	4861FR3068E	1	
		F463	CLAMP	4860FR3092D	2	
		F464	CLAMP	4860FR3092C	1	
		K101	TUB,OUTER	3044ER0003A	1	
		K105	TUB ASSEMBLY,OUTER[SUB4]	3045ER0008F	1	
		K110	TUB ASSEMBLY,INNER[DRUM]	3045ER1006A	1	
		K111	LIFTER ASSEMBLY	4433ER1001A	3	
		K115	SPIDER	4434ER0001A	1	
		K121	BEARING,BALL	4280FR4048D	1	
		K122	BEARING,BALL	4280FR4048E	1	
		K123	BOLT ASSEMBLY	4040FR4051B	1	
		K125	SEAL	4036ER2004A	1	
		K140	COVER ASSEMBLY,TUB	3551ER0003G	1	
		K141	SEAL	4036ER4001B	1	
		K143	SCREW,DRAWING	1SZZFA4362C	16	
		K310	THERMISTOR ASSEMBLY	6322FR2046F	1	
		K320	HEATER ASSEMBLY	5301FR1158J	1	
		K340	MOTOR ASSEMBLY,PUMP	4681EA2001D	1	
		K343	CLAMP	4860FR3092C	1	
		K344	CASING,PUMP	3108ER1001A	1	
		K345	MOTOR ASSEMBLY,PUMP	4681EA2001C	1	
		K346	FILTER(MECH)	5230ER3002A	1	
		K350	STATOR ASSEMBLY	4417FA1994G	1	
		K360	ROTOR ASSEMBLY	4413EA1002B	1	
		K410	SPRING,HINGE	4970FR2084P	2	
		K411	HOLDER	4930FR3040A	2	
		K510	GASKET	4986ER0004A	1	
		K520	BELLOWS	4738ER1002A	1	
		K530	CLAMP ASSEMBLY	4861ER2001D	1	
		K531	CLAMP	4861FR3068E	2	
		K540	CHAMBER,AIR	3504ER3002A	1	
		K550	HOSE,INLET	5214FR4125Y	1	
		K610	DAMPER ASSEMBLY,FRICTION	4901ER2002B	3	
		K611	HINGE	4774FR3118B	6	

**REPLACEMENT PARTS LIST**

**CAUTION :** Before replacing any part of these components  
Read carefully the safety precautions in this manual

**NOTE :** S(Safety Parts), AL(Alternative parts)

LG MODEL: WD-11275BD.ABPPEUS			Run_Date : 2004-04-09			
YOUR MODEL: WM2277HB			SPECIFICATION: 120V 60Hz			
S	AL	LOC	DESCRIPTION	PARTS No.	Q'TY	REMARKS
		*001	MANUAL ASSEMBLY,OWNERS	3829ER3021Q	1	
		*002	BOX,CARTON	3890EZ3524A	1	
		*003	SPANNER	3W20018B	1	
		*004	MANUAL,SERVICE	3828ER3018Y	0	
		*005	MANUAL,OWNERS	3828ER3024X	0	
		A100	CABINET ASSEMBLY	3091ER0004E	1	
		A101	COVER,BACK	3808FR1202A	1	
		A102	BUSHING	4830ER3001A	1	
		A103	HOLDER	4930FR3151A	1	
		A104	BOLT ASSEMBLY	4011FR3159E	2	
		A105	BOLT ASSEMBLY	4011FR3159D	2	
		A110	TOP PLATE ASSEMBLY	3457ER1006H	1	
		A130	COVER,CABINET	3550ER0009D	1	
		A133	CLAMP ASSEMBLY	2W20017E	1	
		A140	HINGE ASSEMBLY	4775ER2002A	1	
		A150	DOOR ASSEMBLY	3581ER1008A	1	
		A151	DOOR FRAME,OUTER	3212ER1023A	1	
		A152	DOOR FRAME,INNER	3212ER1016A	1	
		A153	HANDLE	3650ER2004A	1	
		A155	HANDLE	3650FA3489B	4	
		A200	BASE ASSEMBLY,CABINET	3041ER0001C	1	
		A220	LEG ASSEMBLY	4779ER3002A	4	
		A275	HOSE,INLET	5215FD3715G	1	
		A276	HOSE,INLET	5215FD3715H	1	
		A300	CASE	3110ER2003B	1	
		A303	CAP,COVER	5006FR3146D	1	
		A310	CAP,COVER	5006ER2003C	1	
i		A410	SWITCH ASSEMBLY,SENSOR SWITCH	6600FA1704X	1	
i		A430	POWER CORD ASSEMBLY	6411ER1005A	1	
i		A440	SWITCH ASSEMBLY,DOOR	6601ER1004C	1	
i		A450	PWB(PCB) ASSEMBLY,MAIN	6871EC1087C	1	
		A455	COVER,PROTECT	3550ER1020A	1	
		A485	FILTER ASSEMBLY(CIRC)	6201EC1004U	1	
		A490	BRACKET ASSEMBLY	4811ER3001A	1	
		A495	SENSOR ASSEMBLY	6501FA2462C	1	
i		F110	PWB(PCB) ASSEMBLY,DISPLAY	6871EC1116A	1	
i		F120	HARNESS,PWB	6877ER1023C	1	
		F130	CABLE,FLAT	6850EC2001A	1	
i		F140	HARNESS,MOTOR	6877ER1016B	1	
i		F141	HARNESS,MOTOR	6877ER3003B	1	
i		F160	VALVE ASSEMBLY,INLET	5221ER1003A	1	
		F170	VALVE ASSEMBLY,INLET	5220FR2006H	1	
i		F210	PANEL ASSEMBLY,CONTROL	3721ER1126G	1	
		F215	KNOB ASSEMBLY	4941ER3002A	1	
		F220	PANEL ASSEMBLY,DRAWER	3721ER1073R	1	
		F225	CAP,SOFTENER	5006ER3014B	1	
		F226	CAP,SIPHON	5006ER3018A	1	
		F227	BOX ASSEMBLY,DETERGENT	3891ER2003A	1	
		F300	DISPENSER ASSEMBLY	4925ER1015B	1	
		F310	BELLOWS	4738ER1004B	1	
		F315	BELLOWS	4738ER2002A	1	
		F321	HOSE,INLET	5214ER4001A	1	
		F322	HOSE,INLET	5214ER4001B	2	
		F323	HOSE,INLET	5214ER4001J	1	

LG MODEL: WD-11275BD.ABPEEUS			Run_Date : 2004-04-09			
YOUR MODEL: WM2277HB			SPECIFICATION: 120V 60Hz			
S	AL	LOC	DESCRIPTION	PARTS No.	Q'TY	REMARKS
		F430	HOSE ASSEMBLY,DRAIN	5215ER2002G	1	
		F431	CONNECTOR (MECH),DRAIN HOSE	4932FR3156A	1	
		F435	HOSE,DRAIN	5214FD3663E	1	
		F436	HOSE,INLET	5214FR4125S	1	
		F440	HOSE,PUMP	5214FR3188K	1	
		F441	CLAMP	4861FR3068C	3	
		F461	CLAMP	4861FR3068E	1	
		F463	CLAMP	4860FR3092D	2	
		F464	CLAMP	4860FR3092C	1	
		K101	TUB,OUTER	3044ER0003A	1	
		K105	TUB ASSEMBLY,OUTER[SUB4]	3045ER0008F	1	
		K110	TUB ASSEMBLY,INNER[DRUM]	3045ER1006A	1	
		K111	LIFTER ASSEMBLY	4433ER1001A	3	
		K115	SPIDER	4434ER0001A	1	
		K121	BEARING,BALL	4280FR4048D	1	
		K122	BEARING,BALL	4280FR4048E	1	
		K123	BOLT ASSEMBLY	4040FR4051B	1	
		K125	SEAL	4036ER2004A	1	
		K140	COVER ASSEMBLY,TUB	3551ER0003G	1	
		K141	SEAL	4036ER4001B	1	
		K143	SCREW,DRAWING	1SZZFA4362C	16	
		K310	THERMISTOR ASSEMBLY	6322FR2046F	1	
		K320	HEATER ASSEMBLY	5301FR1158J	1	
		K340	MOTOR ASSEMBLY,PUMP	4681EA2001D	1	
		K343	CLAMP	4860FR3092C	1	
		K344	CASING,PUMP	3108ER1001A	1	
		K345	MOTOR ASSEMBLY,PUMP	4681EA2001C	1	
		K346	FILTER(MECH)	5230ER3002A	1	
		K350	STATOR ASSEMBLY	4417FA1994G	1	
		K360	ROTOR ASSEMBLY	4413EA1002B	1	
		K410	SPRING,HINGE	4970FR2084P	2	
		K411	HOLDER	4930FR3040A	2	
		K510	GASKET	4986ER0004A	1	
		K520	BELLOWS	4738ER1002A	1	
		K530	CLAMP ASSEMBLY	4861ER2001D	1	
		K531	CLAMP	4861FR3068E	2	
		K540	CHAMBER,AIR	3504ER3002A	1	
		K550	HOSE,INLET	5214FR4125Y	1	
		K610	DAMPER ASSEMBLY,FRICTION	4901ER2002B	3	
		K611	HINGE	4774FR3118B	6	



**REPLACEMENT PARTS LIST**

**CAUTION :** Before replacing any part of these components  
Read carefully the safety precautions in this manual

**NOTE :** S(Safety Parts), AL(Alternative parts)

LG MODEL: WD-10270BD.ABWEEUS		Run_Date : 2004-04-09				
YOUR MODEL: WM2077CW		SPECIFICATION: 120V 60Hz				
S	AL	LOC	DESCRIPTION	PARTS No.	Q'TY	REMARKS
		*001	MANUAL ASSEMBLY,OWNERS	3829ER3024Q	1	
		*002	BOX,CARTON	3890EZ3524A	1	
		*003	SPANNER	3W20018B	1	
		*004	MANUAL,SERVICE	3828ER3018Y	0	
		*005	MANUAL,OWNERS	3828ER3024X	0	
		A100	CABINET ASSEMBLY	3091ER0004A	1	
		A101	COVER,BACK	3808FR1202A	1	
		A102	BUSHING	4830ER3001A	1	
		A103	HOLDER	4930FR3151A	1	
		A104	BOLT ASSEMBLY	4011FR3159E	2	
		A105	BOLT ASSEMBLY	4011FR3159D	2	
		A110	TOP PLATE ASSEMBLY	3457ER1006B	1	
		A130	COVER,CABINET	3550ER0009B	1	
		A133	CLAMP ASSEMBLY	2W20017E	1	
		A140	HINGE ASSEMBLY	4775ER2002A	1	
		A150	DOOR ASSEMBLY	3581ER1008F	1	
		A151	DOOR FRAME, OUTER	3212ER0005C	1	
		A152	DOOR FRAME, INNER	3212ER1016A	1	
		A153	HANDLE	3650ER2004C	1	
		A155	HANDLE	3650FA3488M	4	
		A200	BASE ASSEMBLY,CABINET	3041ER0001D	1	
		A220	LEG ASSEMBLY	4779ER3002A	4	
		A275	HOSE,INLET	5215FD3715G	1	
		A276	HOSE,INLET	5215FD3715H	1	
		A300	CASE	3110ER2003A	1	
		A303	CAP,COVER	5006FR3146D	1	
		A310	CAP,COVER	5006ER2003A	1	
		A410	SWITCH ASSEMBLY,SENSOR SWITCH	6600FA1704X	1	
i		A430	POWER CORD ASSEMBLY	6411ER1005A	1	
i		A440	SWITCH ASSEMBLY,DOOR	6601ER1004C	1	
i		A450	PWB(PCB) ASSEMBLY,MAIN	6871EC1087F	1	
i		A455	COVER,PROTECT	3550ER1020A	1	
		A485	FILTER ASSEMBLY(CIRC)	6201EC1004U	1	
		A490	BRACKET ASSEMBLY	4811ER3001A	1	
		A495	SENSOR ASSEMBLY	6501FA2462C	1	
		F110	PWB(PCB) ASSEMBLY,DISPLAY	6871EC1116C	1	
i		F120	HARNESS,PWB	6877ER1023G	1	
i		F130	CABLE,FLAT	6850EC2001A	1	
		F140	HARNESS,MOTOR	6877ER1016B	1	
i		F141	HARNESS,MOTOR	6877ER3003C	1	
i		F160	VALVE ASSEMBLY,INLET	5221ER1003A	1	
i		F170	VALVE ASSEMBLY,INLET	5220FR2006H	1	
		F210	PANEL ASSEMBLY,CONTROL	3721ER1126B	1	
i		F215	KNOB ASSEMBLY	4941ER3002A	1	
		F220	PANEL ASSEMBLY,DRAWER	3721ER1073H	1	
		F225	CAP,SOFTENER	5006ER3014B	1	
		F226	CAP,SIPHONE	5006ER3018A	1	
		F227	BOX ASSEMBLY,DETERGENT	3891ER2003A	1	
		F300	DISPENSER ASSEMBLY	4925ER1015B	1	
		F310	BELLOWS	4738ER1004B	1	
		F315	BELLOWS	4738ER2002A	1	
		F321	HOSE,INLET	5214ER4001A	1	
		F322	HOSE,INLET	5214ER4001B	2	
		F323	HOSE,INLET	5214ER4001J	1	

LG MODEL: WD-10270BD.ABWEEUS			Run_Date : 2004-04-09			
YOUR MODEL: WM2077CW			SPECIFICATION: 120V 60Hz			
S	AL	LOC	DESCRIPTION	PARTS No.	Q'TY	REMARKS
		F430	HOSE ASSEMBLY,DRAIN	5215ER2002G	1	
		F431	CONNECTOR (MECH),DRAIN HOSE	4932FR3156A	1	
		F435	HOSE,DRAIN	5214FD3663E	1	
		F436	HOSE,INLET	5214FR4125S	1	
		F440	HOSE,PUMP	5214FR3188K	1	
		F441	CLAMP	4861FR3068C	3	
		F461	CLAMP	4861FR3068E	1	
		F463	CLAMP	4860FR3092D	2	
		F464	CLAMP	4860FR3092C	1	
		K101	TUB,OUTER	3044ER0003C	1	
		K105	TUB ASSEMBLY,OUTER[SUB4]	3045ER0008G	1	
		K110	TUB ASSEMBLY,INNER[DRUM]	3045ER1006B	1	
		K111	LIFTER ASSEMBLY	4433ER1001B	3	
		K115	SPIDER	4434ER0001A	1	
		K121	BEARING,BALL	4280FR4048D	1	
		K122	BEARING,BALL	4280FR4048E	1	
		K123	BOLT ASSEMBLY	4040FR4051B	1	
		K125	SEAL	4036ER2004A	1	
		K140	COVER ASSEMBLY,TUB	3551ER0003H	1	
		K141	SEAL	4036ER4001B	1	
		K143	SCREW,DRAWING	1SZZFA4362C	16	
		K310	THERMISTOR ASSEMBLY	6322FR2046F	1	
		K340	MOTOR ASSEMBLY,PUMP	4681EA2001D	1	
		K343	CLAMP	4860FR3092C	1	
		K344	CASING,PUMP	3108ER1001B	1	
		K346	FILTER(MECH)	5230ER3002A	1	
		K350	STATOR ASSEMBLY	4417FA1994G	1	
		K360	ROTOR ASSEMBLY	4413EA1002B	1	
		K410	SPRING,HINGE	4970FR2084P	2	
		K411	HOLDER	4930FR3040A	2	
		K510	GASKET	4986ER0004B	1	
		K520	BELLOWS	4738ER1002A	1	
		K530	CLAMP ASSEMBLY	4861ER2001D	1	
		K531	CLAMP	4861FR3068E	2	
		K540	CHAMBER,AIR	3504ER3002A	1	
		K550	HOSE,INLET	5214FR4125Y	1	
		K610	DAMPER ASSEMBLY,FRICTION	4901ER2002B	3	
		K611	HINGE	4774FR3118B	6	