

TRAINING MANUAL

WMI333HW Washer Training Spring 2007



LG Service

Digital Display

Published January 2007 by LG Education & Product Engineering
Customer Service (and Part Sales): 1-800-243-0000
Technical Support (and Part Sales): 1-800-847-7597
USA Website: www.lgusa.com
Customer Service Website: us.lgservice.com
B2B Service Website: aic.lgservice.com
Training Website: www.LGCSAcademy.com

IMPORTANT SAFETY NOTICE

The information in this training manual is intended for use by persons possessing an adequate background in electrical equipment, electronic devices, and mechanical systems. In any attempt to repair a major appliance, personal injury and property damage can result. The manufacturer or seller maintains no liability for the interpretation of this information, nor can it assume any liability in conjunction with its use. When servicing this product, under no circumstances should the original design be modified or altered without permission from LG Electronics. Unauthorized modifications will not only void the warranty, but may lead to property damage or user injury. If wires, screws, clips, straps, nuts, or washers used to complete a ground path are removed for service, they must be returned to their original positions and properly fastened.

CAUTION

To avoid personal injury, disconnect the power before servicing this product. If electrical power is required for diagnosis or test purposes, disconnect the power immediately after performing the necessary checks. Also be aware that many household appliances present a weight hazard. At least two people should be involved in the installation or servicing of such devices. Failure to consider the weight of an appliance could result in physical injury.

ESD NOTICE

Some of the electronic components in appliances are electrostatic discharge (ESD) sensitive. ESD can weaken or damage the electronics in these appliances in a manner that renders them inoperative or reduces the time until their next failure. Connect an ESD wrist strap to a ground connection point or unpainted metal in the appliance. Alternatively, you can touch your finger repeatedly to a ground connection point or unpainted metal in the appliance. Before removing a replacement part from its package, touch the anti-static bag to a ground connection point or unpainted metal in the appliance. Handle the electronic control assembly by its edges only. When repackaging a failed electronic control assembly in an anti-static bag, observe these same precautions.

REGULATORY INFORMATION

This equipment has been tested and found to comply with the limits for a Class B digital device, pursuant to Part 15 of the FCC Rules. These limits are designed to provide reasonable protection against harmful interference when the equipment is operated in a residential installation. This equipment generates, uses, and can radiate radio frequency energy, and, if not installed and used in accordance with the instruction manual, may cause harmful interference to radio communications. However, there is no guarantee that interference will not occur in a particular installation. If this equipment does cause harmful interference to radio or television reception, which can be determined by turning the equipment off and on, the user is encouraged to try to correct the interference by one or more of the following measures: Reorient or relocate the receiving antenna; Increase the separation between the equipment and the receiver; Connect the equipment to an outlet on a different circuit than that to which the receiver is connected; or consult the dealer or an experienced radio/TV technician for help.

COMPLIANCE

The responsible party for this device's compliance is LG Electronics Alabama, Inc.; 201 James Record Road, Huntsville, AL, 35813.

TABLE OF CONTENTS

OVERVIEW	5
INTRODUCTION	5
SPECIFICATIONS	5
FEATURES	6
ACCESSORIES	6
MAIN COMPONENTS	7
INSTALLATION	8
REMOVE THE SHIPPING BOLTS	8
INSTALL ON A FLAT SURFACE	8
LEVEL THE UNIT	8
CONNECT THE INLET HOSES	8
CONNECT THE DRAIN HOSE	8
CONNECT POWER PLUG	8
TEST OPERATION	9
OPERATION	10
CONTROL PANEL	10
TROUBLESHOOTING	12
QC TEST MODE	12
WATER LEVEL FREQUENCY	12
ERROR DISPLAY	13
ERROR DIAGNOSIS	14
FAULT DIAGNOSIS	17
EXPLODED VIEWS	23
DISASSEMBLY INSTRUCTIONS	27

OVERVIEW

INTRODUCTION

Series 33 (WM1333Hx, DLEC833x, etc.) laundry products are being introduced into the United States by LG Electronics during 2007. The washer shares many of the features of the larger TROMM washers, such as a microprocessor controlled intelligent wash system and a quiet, direct drive motor. Cabinets with front mounted controls and flat tops allow washers and dryers to be installed in either side by side or stacked configurations. The cabinet height also allows for an under-the-counter installation in a kitchen.

SPECIFICATIONS

ITEM		WM1333H*
POWER SUPPLY		AC 120 V, 60Hz
PRODUCT WEIGHT		128 lbs. (58 kg)
POWER CONSUMPTION	WASHING	100 W
	SPIN	400 W
	DRAIN MOTOR	80 W
	WASH HEATER	1000 W
SPEED	WASH	48 rpm
	SPIN	0-1300 rpm
OPERATIONAL WATER PRESSURE		4.5-145 psi (30-1000 kPa)
CONTROL TYPE		Electronic
WASH CAPACITY		2.3 Cu. ft.
DIMENSIONS		23 5/8" (W) X 21 5/8" (D) X 33 1/2" (H)
CYCLES		9
WASH/RINSE TEMPERATURES		4 / 2
SPIN SPEEDS		7
OPTIONS		Stain Cycle, Quick Cycle, Soak, Extra Rinse, Warm Rinse, Delay Wash
DELAY WASH		up to 19 hours
DOOR SWITCH TYPE		Bi-Metal
WATER LEVEL		9 steps (by sensor)
ERROR DIAGNOSIS		Incorporated
POWER AUTO OFF		Incorporated
CHILD LOCK		Incorporated
AUTO RESTART		Incorporated

OVERVIEW

FEATURES

MAIN FEATURES



- **Direct Drive System**

The advanced Brushless DC motor directly drives the drum without belt and pulley.



- **Built-in Heater**

Internal heater automatically heats the water to the best temperature on selected cycles.



- **Child Lock**

The child lock prevents an accidental change of settings during operation by the unintended pressing of any button.



- **More economical by Intelligent Wash System**

Intelligent Wash System detects the amount of load and water temperature, and then determines the optimum water level and washing time to minimize energy and water consumption.



- **Low noise speed control system**

By sensing the amount of load and balance, it evenly distributes load to minimize the spinning noise level.

WATER LEVEL CONTROL

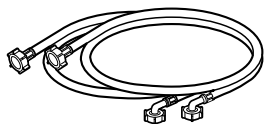
- This model incorporates a pressure sensor which can sense the water level in the tub.
- The water supply is stopped when the water level reaches the preset level, the washing program then proceeds.
- Spinning does not proceed until the water in the tub drains to a certain level.

DOOR CONTROL

- The door can be unlocked by pressing the Start/Pause button to stop the washer. It will unlock after 1-2 minutes.
- For safety, the door cannot be unlocked if the water level or the water temperature is too high.

ACCESSORIES

■ Accessories



Hose
Hot/Cold (1 each)



Wrench
for removing shipping bolts
And leveling the washer



Tie strap
to secure drain hose to standpipe,
inlet hose, or laundry tub

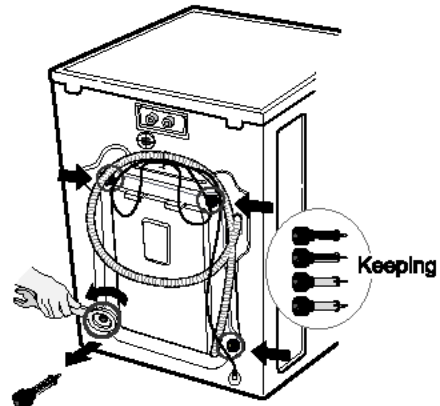
INSTALLATION

INSTALLATION

Usually, the technician will be called to service a machine that has already been installed by someone who has been specifically trained for that task. It is important, however, that the servicer be familiar with installation procedures and able to determine whether a particular problem is a product defect or the result of poor installation. The following pages describe an installation and operation check.

REMOVE THE SHIPPING BOLTS

Remove the 4 shipping bolts with the supplied wrench. Do lower bolts first remove easily. Keep the shipping bolts and wrench for future use. Insert the 4 caps (provided) into the hole.

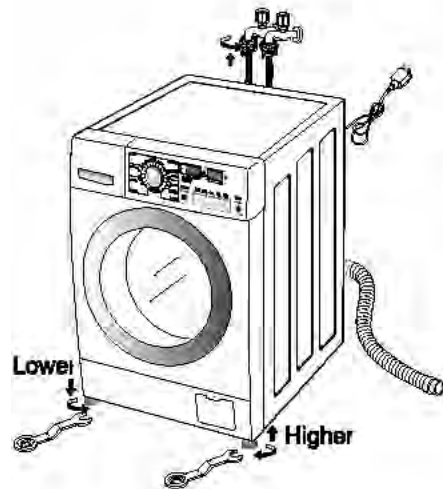


INSTALL ON A FLAT SURFACE

Install the washer on a flat firm surface.

LEVEL THE UNIT

Turn the leveling feet to adjust the appliance. Turn clockwise to raise; counterclockwise to lower.



CONNECT THE INLET HOSES

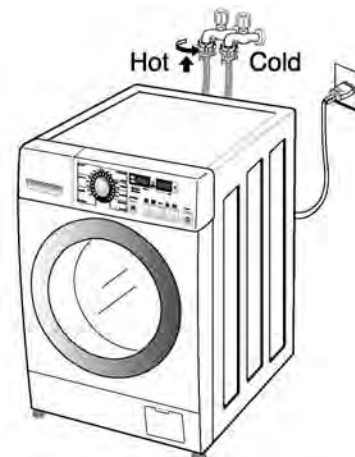
Verify that the rubber washers are inside of the valve connectors. Tighten the inlet hoses securely to prevent leaks.

CONNECT THE DRAIN HOSE

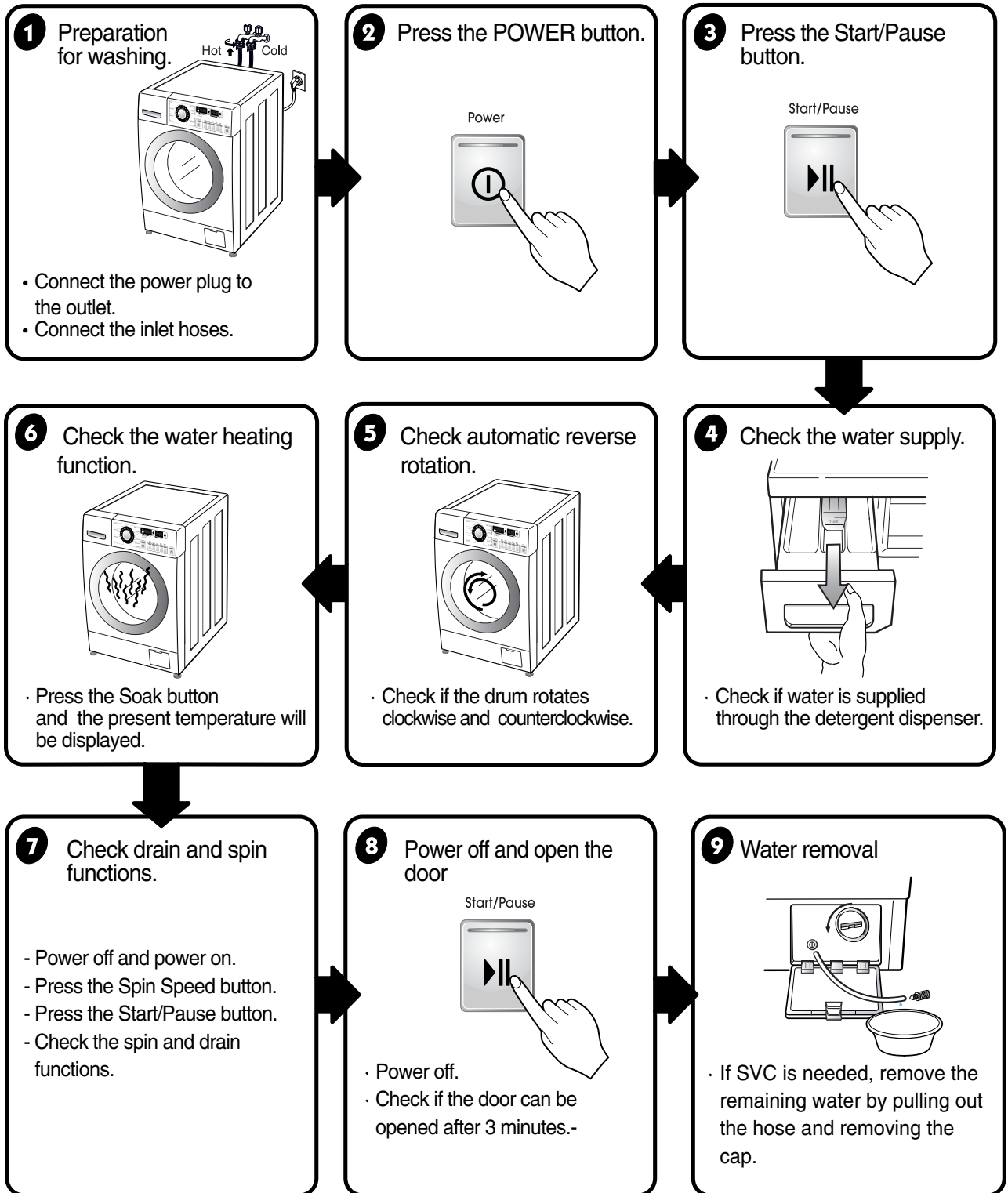
The end of the drain hose should be placed less than 96" from the floor. Make sure that the hose is not twisted. Avoid submerging the end of the hose.

CONNECT POWER PLUG

Connect the power plug to the wall outlet. Washer should be connected a dedicated circuit.



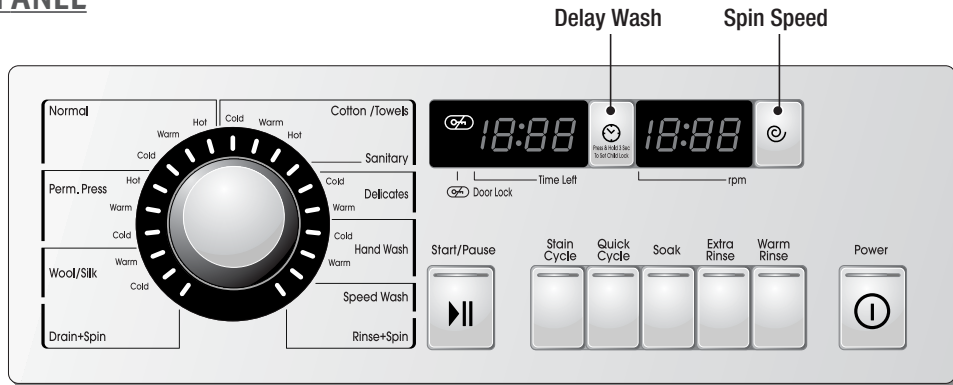
TEST OPERATION



OPERATION

OPERATION

CONTROL PANEL



POWER

- Use this button to turn the Power On/Off.

CYCLES

- Rotate the Cycle selector knob to select a cycle designed for different types of fabric and soil levels.
- Each cycle has a preset Water Temperature and Spin Speed.
- The preset settings can be changed anytime before Start.

This front load washer requires longer cycle time and gets clothes much cleaner, yet is gentler on the fabrics, than top load washers. Washing time can be reduced significantly for small loads or lightly soiled loads by selecting Quick Cycle option.

Suggested Wash Temp.	Garment
Sanitary (Extra Hot)	Kitchen towels, sheets, and baby garments
Hot	Whites and Heavy soiled color-fast items
Warm	Most loads
Cold	Brightly colored items, washable woolens

TEMPERATURE

- Select a water temperature based on the type of load you are washing.
- Follow the fabric care label and chart below for best results.
- Cold rinses save energy.
- The Cold rinse temperatures depend on the cold water at your faucet.

START/PAUSE

- Use this button to start/stop the washer.

DELAY WASH

- Allows the start of any cycle to be delayed for 1~19 hours.
- Choose the wash cycle for your load, and then press the Delay Wash button once for one hour or press the button again to increase the delay wash time up to 19 hours in one hour increments.

SPIN SPEED

- To change the spin speed, press the Spin Speed button repeatedly to cycle through available options.
- Spin Speed is available according to the program.

STAIN CYCLE

- Add time to the wash and rinse for better stain removal.
- Automatically provides a rinse.

QUICK CYCLE

- The Quick Cycle offers a quick cycle time.
- Suggested uses include freshening newly purchased clothes, or clothing that has been packed away.

SOAK

- Provides a set time for soaking, then automatically moves into the wash cycle.
- Use this option to wash normal clothes or thick and heavy clothes which are excessively dirty.

EXTRA RINSE

- This option provides an additional rinse.
- Use this option to ensure the removal of detergent or bleach residue from garments.

WARM RINSE

- Warm rinses leave the load dryer than cold rinses. Warm rinses increase wrinkling.
- In cold climates, a warm rinse makes the load more comfortable to handle.

DISPLAY

- This display shows:
 - a) the estimated time remaining in the cycle when operating,
 - b) the error code when an error has been detected.

CHILD LOCK

- Use this option to prevent unwanted use of the washer. Press and hold Delay Wash button for 3 seconds to lock/unlock control.
- When Child lock is set, all buttons are disabled except the Power button. You can lock the washer while it is operating.

DOOR LOCK

- Lights whenever the door of the washer is locked.
- The door can be unlocked by pressing the Start/Pause button to stop the washer. It will unlock after 1~2 minutes.
- If the water temperature or the level is too high, the door cannot be unlocked. Do not try to force the door open when the DOOR LOCKED light is on.



TROUBLESHOOTING

TROUBLESHOOTING

QC TEST MODE

The washer must be empty and the controls must be in the off state.

- 1) Press the Stain Cycle and Soak buttons simultaneously.
- 2) Press the Power button, while the above condition. Then buzzer will sound twice.
- 3) Press the Start/Pause button repeatedly to cycle through the test modes.










Number of times the Start/Pause button is pressed	Check Point	Display Status
None	Turns on all lamps and locks the door.	 
1 time	Tumble counterclockwise	rpm (40~50)
2 times	Low speed Spin.	rpm (600)
3 times	High speed Spin.	rpm (1300-1320)
4 times	Inlet valve for bleach turns on.	Water level frequency (25~65)
5 times	Inlet valve for main water turns on.	Water level frequency (25~65)
6 times	Inlet valve for hot wash turns on.	Water level frequency (25~65)
7 times	Tumble clockwise	rpm (40~50)
8 times	Heater turns on for 3 sec.	Water temperature
9 times	Power off.	Turn off all lamps.

WATER LEVEL FREQUENCY

Press the Quick Cycle and Spin Speed button simultaneously. The displayed number = the water level frequency x .1kHz. For example, a display showing 241 indicates a water level frequency of 24.1 kHz (241 x.1 kHz).

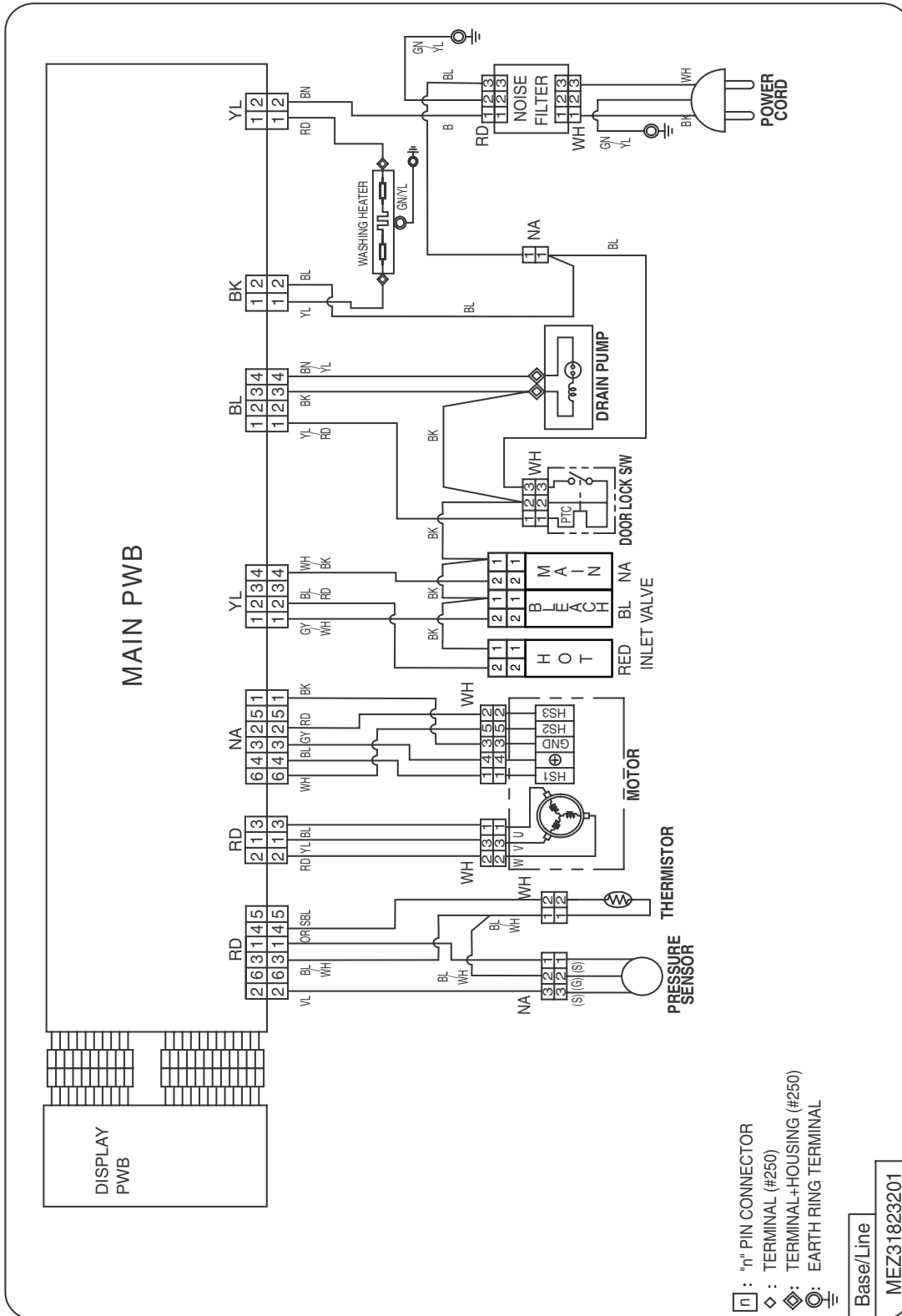
ERROR DISPLAY

If you press the Start/Pause button when an error is displayed, any error except PE will disappear and the machine will go into the pause status. In case of PE, LE, or DE, if the error is not resolved within 20 sec., or in the case of other errors, if the error is not resolved within 4 min., power will be turned off automatically and the error code will blink. In the case of FE, power will not be turned off.

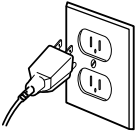
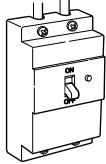




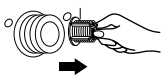
	ERROR	SYMPTOM	CAUSE
1	WATER INLET ERROR		<ul style="list-style-type: none"> • Correct water level (246) is not reached within 8 minutes after water is supplied or it does not reach the preset water level within 25 minutes.
2	UNBALANCE ERROR		<ul style="list-style-type: none"> • The load is too small. • The appliance is tilted. • Laundry is gathered to one side. • Non distributable items are put into the drum.
3	DRAIN ERROR		<ul style="list-style-type: none"> • Not fully drained within 10 minutes.
4	OVER FLOW ERROR		<ul style="list-style-type: none"> • Water is overflowing (water level frequency is over 213). ※ If  is displayed, the drain pump will operate to drain the water automatically.
5	PRESSURE SENSOR ERROR		<ul style="list-style-type: none"> • The SENSOR SWITCH ASSEMBLY is out of order.
6	DOOR OPEN ERROR		<ul style="list-style-type: none"> • Door not all the way closed. • Loose electrical connections at Door switch and PWB Assembly. • The DOOR SWITCH ASSEMBLY is out of order.
7	HEATING ERROR		<ul style="list-style-type: none"> • The THERMISTOR is out order.
8	MOTOR ERROR		<ul style="list-style-type: none"> • The connector in the LEAD WIRE ASSEMBLY is not connected to the connector of STATOR ASSEMBLY ➡ Reconnect or repair the connector • The hall sensor is out of order/defective. ➡ Replace the STATOR ASSEMBLY

TROUBLESHOOTING

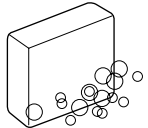
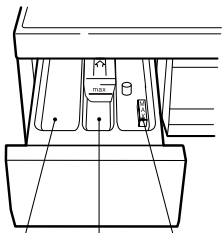
WIRING DIAGRAM






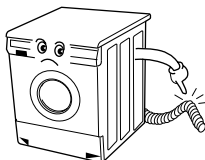


ERROR DIAGNOISIS

SYMPTOM	GUIDE FOR SERVICE CALL
<p>NO POWER</p>	<div style="display: flex; justify-content: space-between;"> <div style="width: 60%;"> <p>Is the power plug connected firmly to 120V~ outlet?</p> <p style="text-align: center;">↓ YES ↓</p> <p>Power failure? or Breaker opened?</p> <p style="text-align: center;">↓ NO ↓</p> <p style="text-align: center;">Visit to check</p> </div> <div style="width: 35%; text-align: center;">   </div> </div>
<p>Water inlet trouble</p> <div style="text-align: center; margin-top: 20px;">  </div>	<div style="display: flex; justify-content: space-between;"> <div style="width: 60%;"> <p>Is " IE " displayed?</p> <p style="text-align: center;">↓ YES ↓</p> <p>Is the tap opened?</p> <p style="text-align: center;">↓ YES ↓</p> <p>Is the tap frozen?</p> <p style="text-align: center;">↓ NO ↓</p> <p>Is the water supply shut-off?</p> <p style="text-align: center;">↓ NO ↓</p> <p>Is filter in the inlet valve clogged with foreign material?</p> <p style="text-align: center;">↓ NO ↓</p> <p style="text-align: center;">Visit to check</p> </div> <div style="width: 35%; text-align: center;">    <div style="border: 1px solid black; padding: 5px; margin-top: 10px;"> <p>Clean the filter of inlet valve</p>  </div> </div> </div>

TROUBLESHOOTING

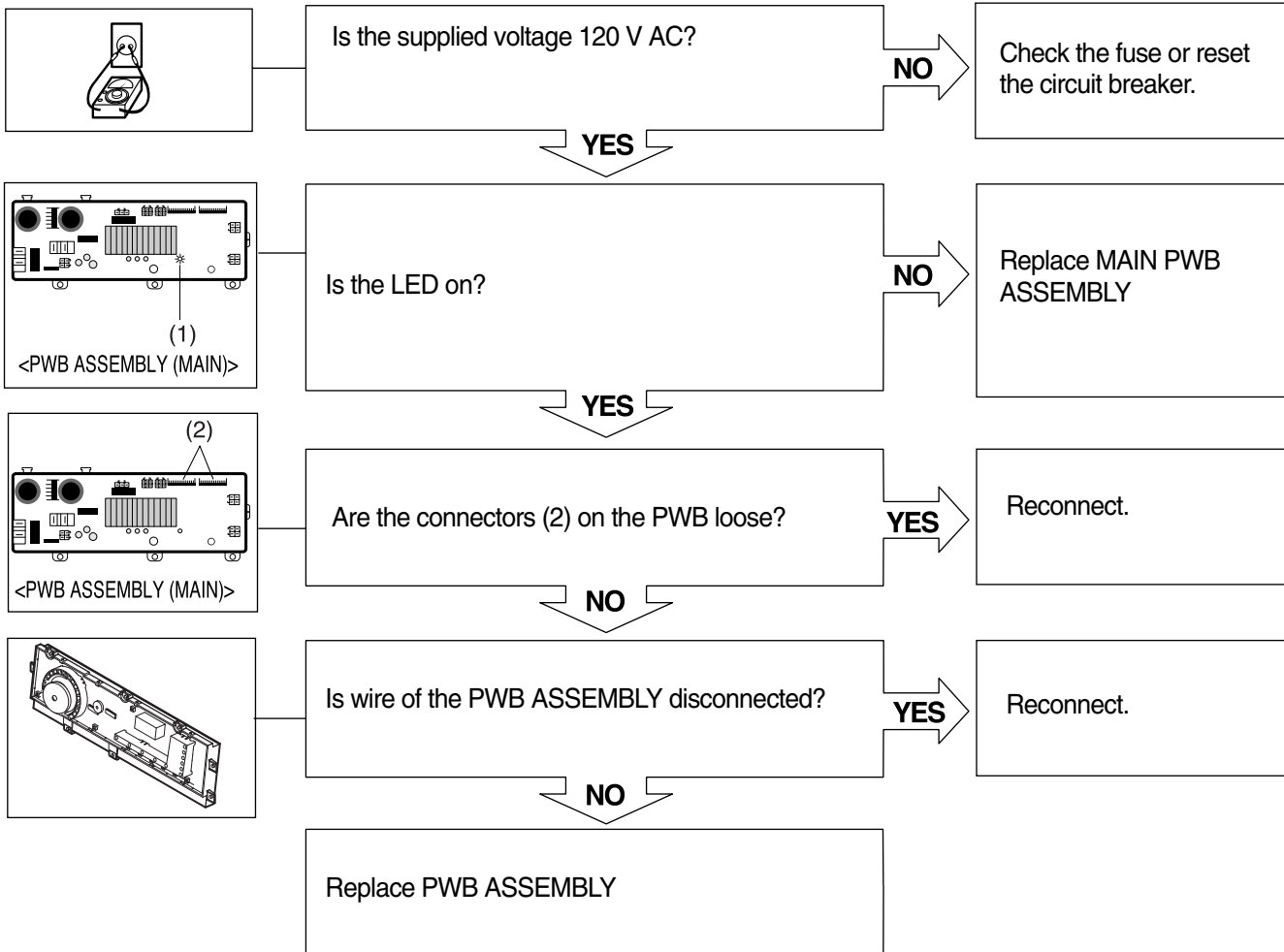
SYMPTOM	GUIDE FOR SERVICE CALL	
<p>◦ Suds overflow from the appliance. (In this condition, wash and spin do not operate normally)</p>	<div style="display: flex; justify-content: space-between; align-items: flex-start;"> <div style="width: 65%;"> <p style="border: 1px solid black; padding: 5px; margin-bottom: 10px;">Is low-sudsing detergent for the drum washing machine used?</p> <p style="text-align: center; margin-bottom: 10px;">↓ YES ↓</p> <p style="border: 1px solid black; padding: 5px; margin-bottom: 10px;">Is the proper amount of detergent used as recommended?</p> <p style="text-align: center; margin-bottom: 10px;">↓ YES ↓</p> <p style="border: 1px solid black; border-radius: 15px; padding: 10px; margin-bottom: 10px;">Reduce the amount of detergent.</p> <ul style="list-style-type: none"> * This appliance has the automatic suds sensing function which operates during high-sudsing for good rinse and preventing overflow. * When high suds are sensed, suds removing function such as drain, water input and pause will operate without rotating the drum. </div> <div style="width: 30%; text-align: center;">  <p>LOW-SUDSING</p> </div> </div>	
<p>• Liquid laundry products do not flow in.</p>	<div style="display: flex; justify-content: space-between; align-items: flex-start;"> <div style="width: 65%;"> <p style="border: 1px solid black; padding: 5px; margin-bottom: 10px;">Is softener put in the correct compartment of the drawer?</p> <p style="text-align: center; margin-bottom: 10px;">↓ YES ↓</p> <p style="border: 1px solid black; padding: 5px; margin-bottom: 10px;">Is the drawer closed during wash?</p> <p style="text-align: center; margin-bottom: 10px;">↓ YES ↓</p> <p style="border: 1px solid black; padding: 5px; margin-bottom: 10px;">Is the cap clogged?</p> <p style="text-align: center; margin-bottom: 10px;">↓ YES ↓</p> <p style="border: 1px solid black; border-radius: 15px; padding: 10px; margin-bottom: 10px;">Explain proper use of liquid laundry products.</p> <p style="text-align: center; margin-bottom: 10px;">< Clean the compartment for softener ></p> </div> <div style="width: 30%; text-align: center;">  <p>Detergent for wash Fabric softener Liquid Bleach</p> </div> </div>	
<div style="display: flex; flex-wrap: wrap; gap: 10px;"> <div style="border: 1px solid gray; border-radius: 5px; padding: 5px; width: 40px; height: 20px; text-align: center;">FE</div> <div style="border: 1px solid gray; border-radius: 5px; padding: 5px; width: 40px; height: 20px; text-align: center;">LE</div> <div style="border: 1px solid gray; border-radius: 5px; padding: 5px; width: 40px; height: 20px; text-align: center;">FE</div> <div style="border: 1px solid gray; border-radius: 5px; padding: 5px; width: 40px; height: 20px; text-align: center;">LE</div> </div>	<p style="border: 1px solid black; border-radius: 15px; padding: 10px; text-align: center; margin: 20px auto; width: 80%;">Visit to check</p>	

SYMPTOM	GUIDE FOR SERVICE CALL
<ul style="list-style-type: none"> • Door does not open • Error displayed on the program 	<div style="text-align: center;"> <p>Started with door opened?</p> <p>YES → </p> <p>NO ↓</p> <p>Visit to check</p> <p><Check if the door switch is O.K.></p> </div> <div style="float: right; border: 1px solid black; padding: 5px; margin-top: 10px;"> <p>Close the door</p>  </div>
<ul style="list-style-type: none"> • DRAIN TROUBLE 	<div style="text-align: center;"> <p>Is "E2" displayed?</p> <p>YES ↓</p> <p>Is the drain pump filter clogged with foreign material such as pin, coin and etc.?</p> <p>YES → Clean up the filter. </p> <p>NO ↓</p> <p>Is the drain hose frozen with water, kinked or crushed?</p> <p>NO ↓</p> <p>Visit to check</p> </div> <div style="float: right; margin-top: 10px;">  </div>

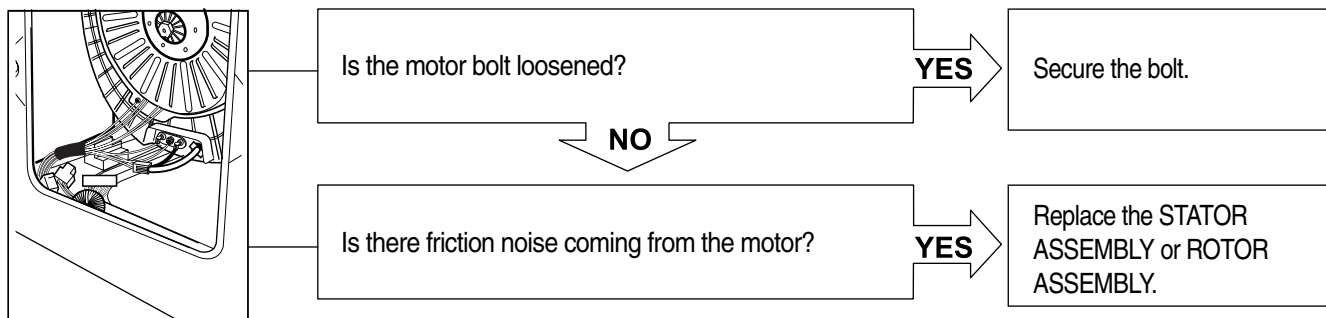
TROUBLESHOOTING

FAULT DIAGNOSIS

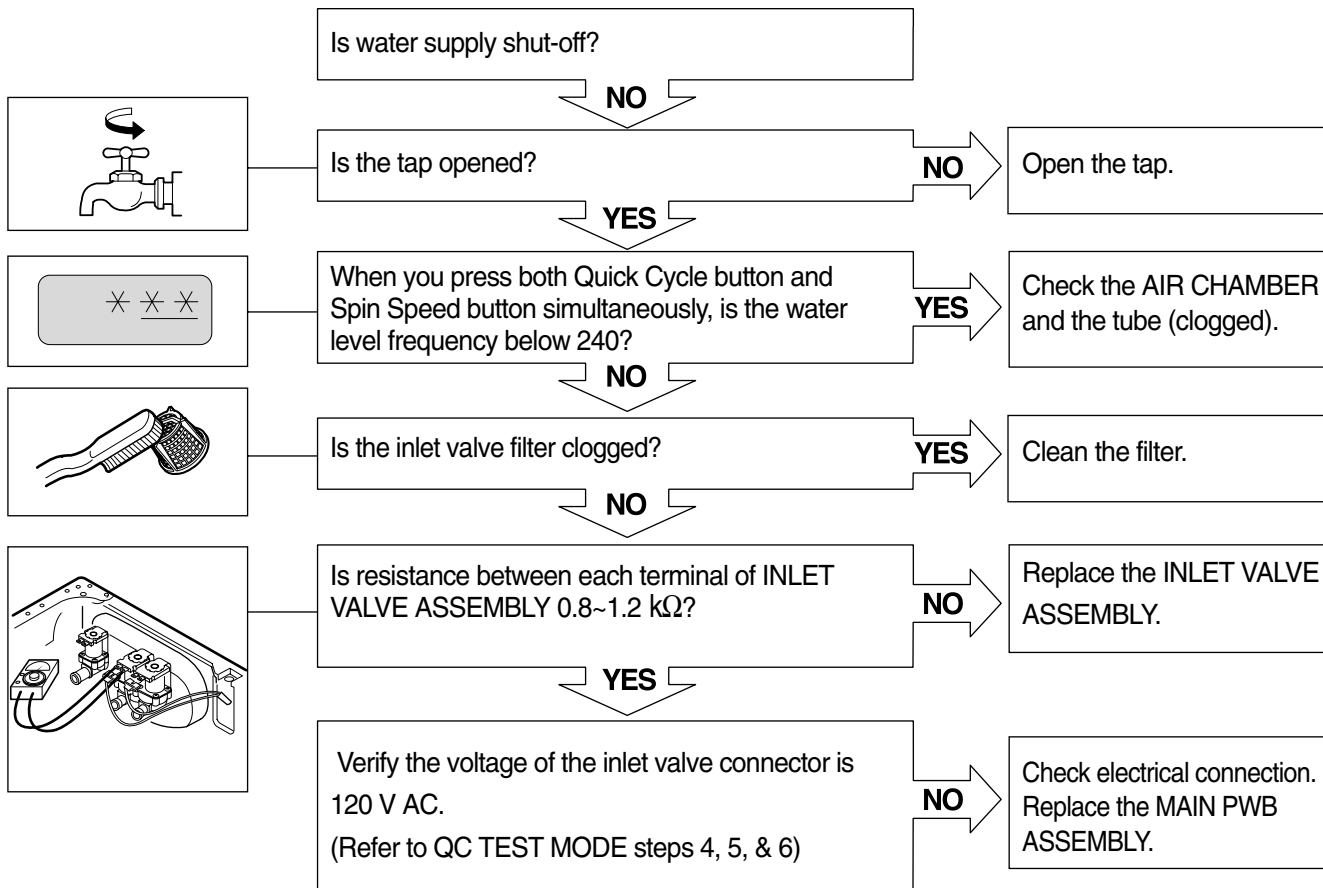
NO POWER



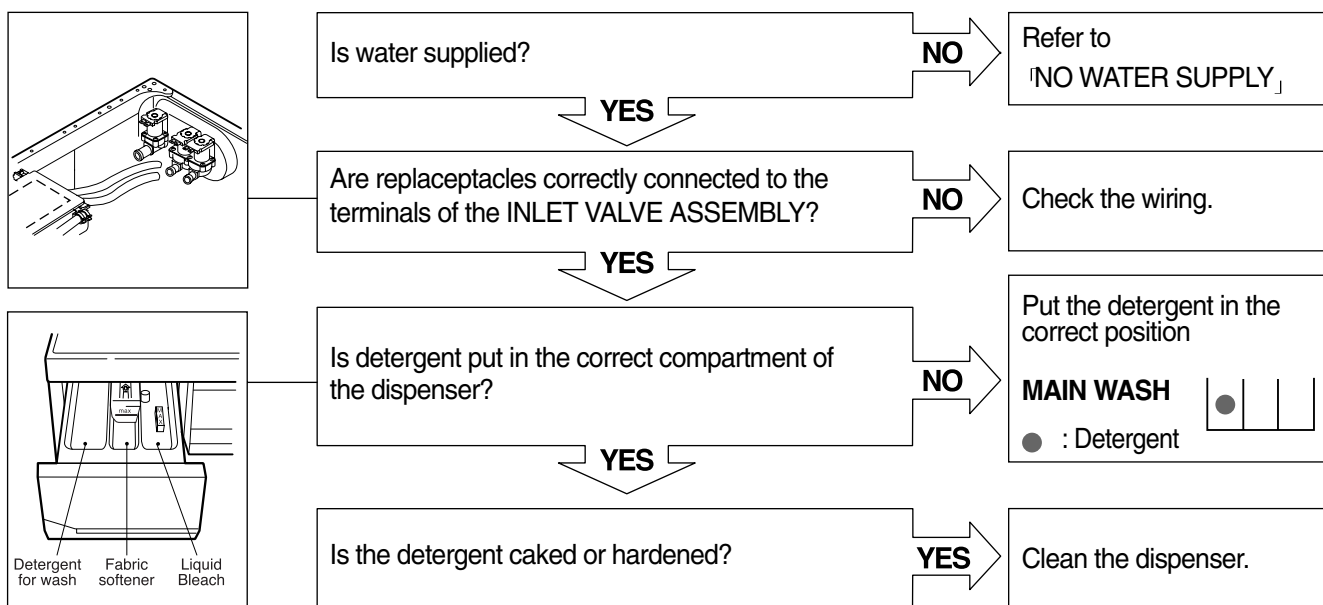
ABNORMAL SOUND



NO WATER

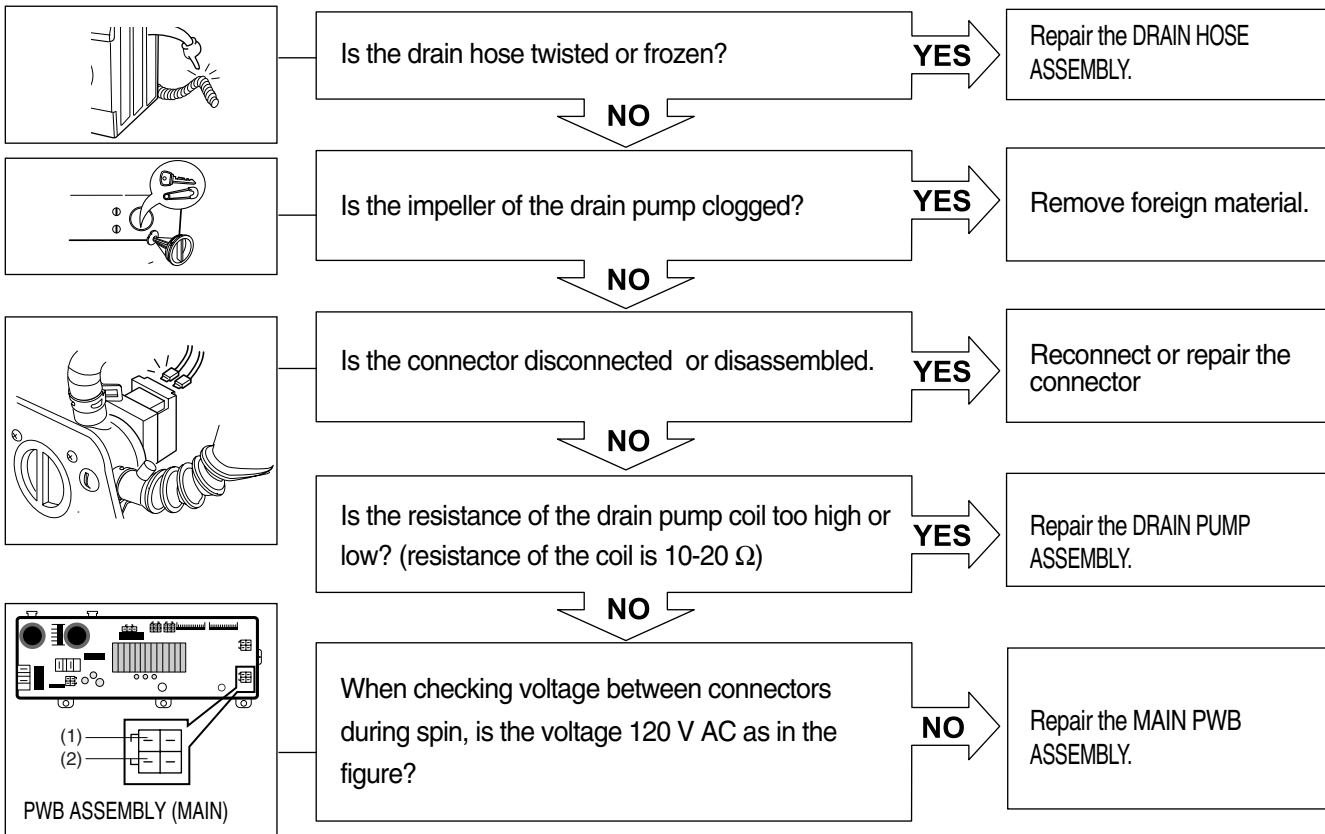


NO DETERGENT

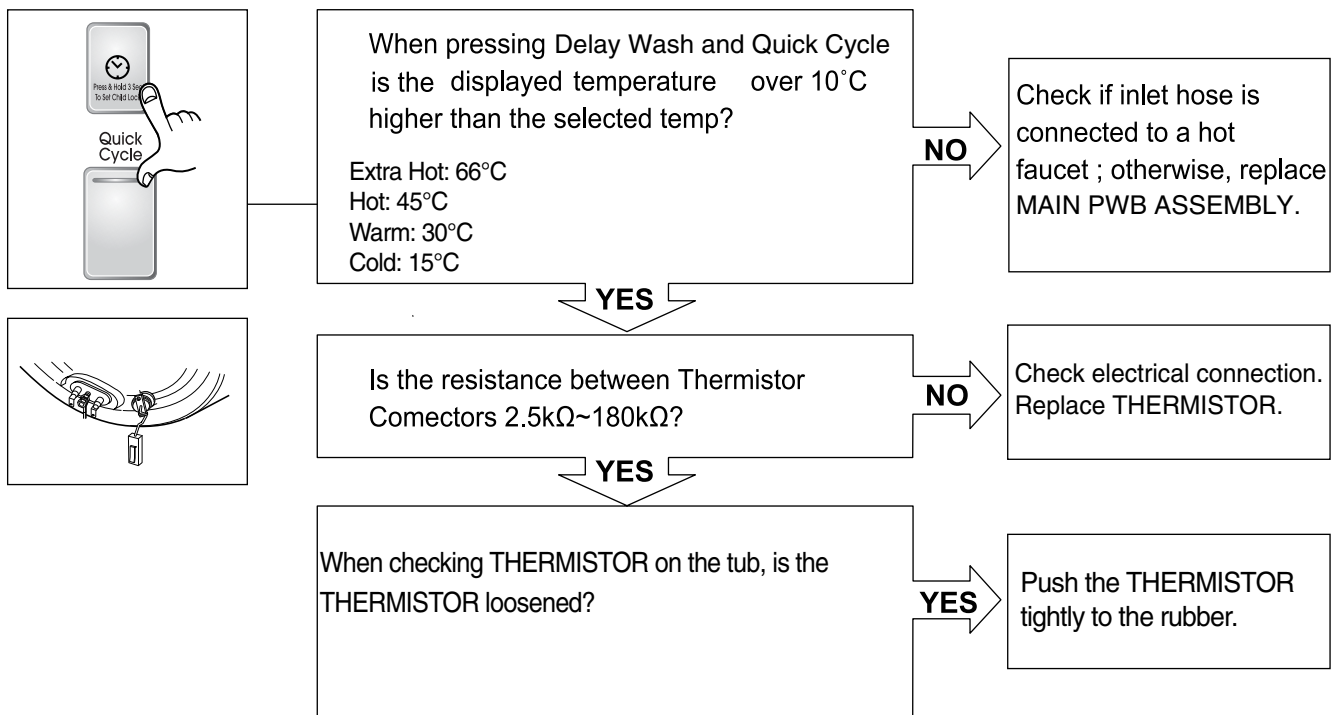


TROUBLESHOOTING

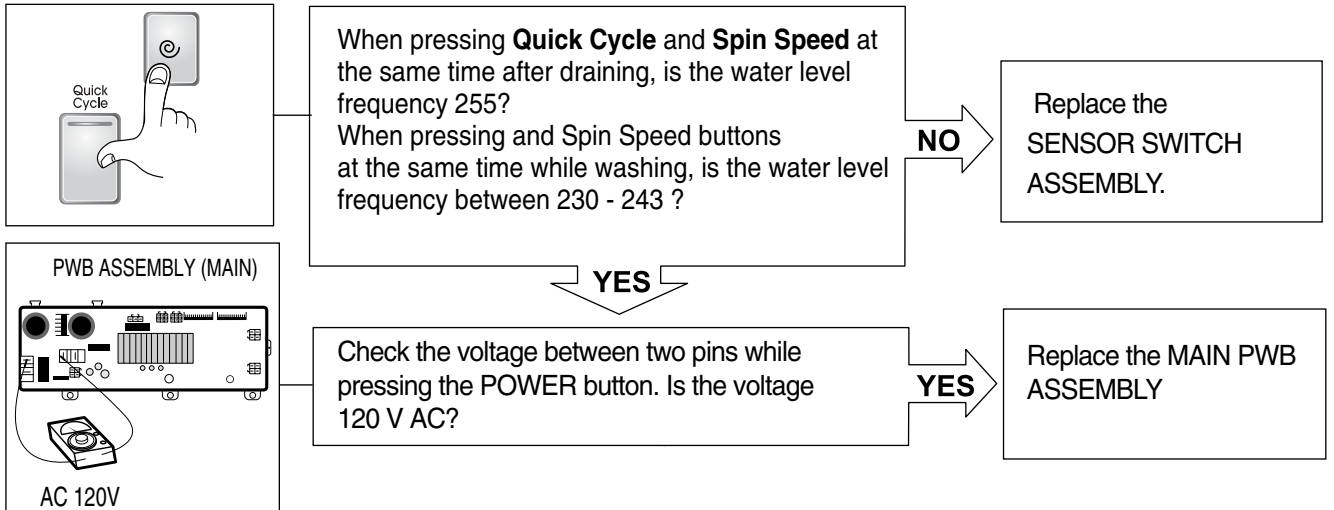
MALFUNCTIONING DRAIN



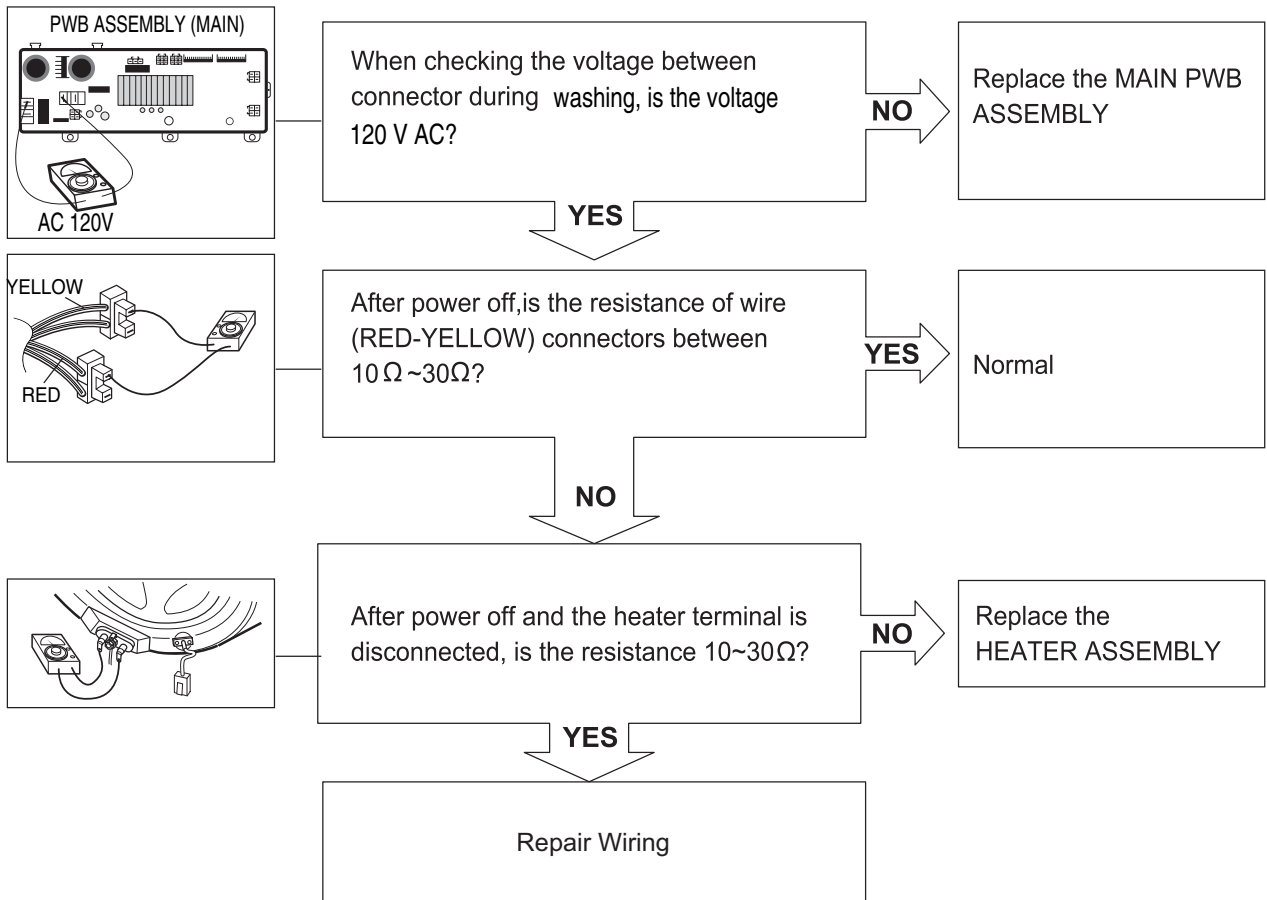
TOO HOT



HEATING WITHOUT WATER

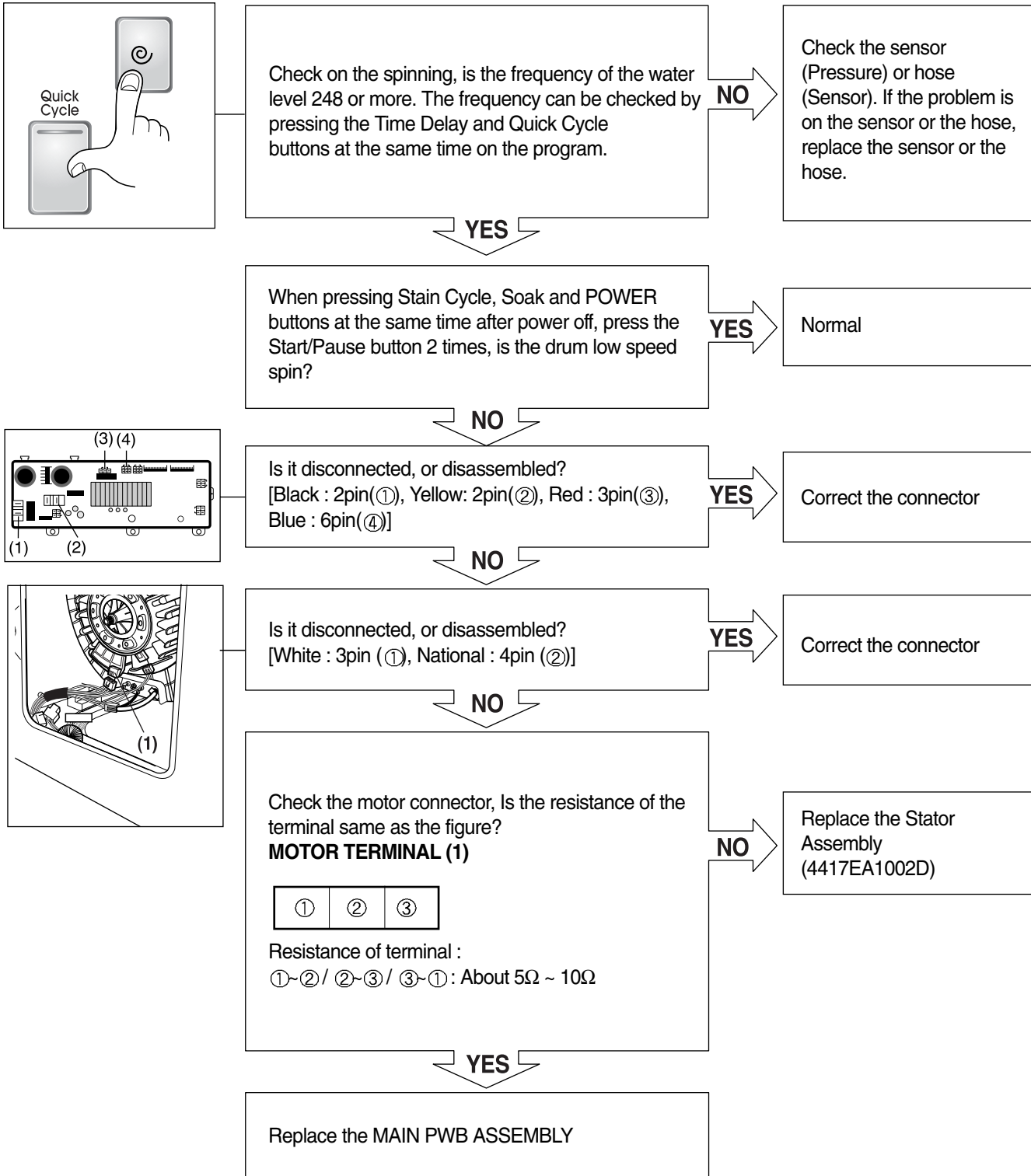


OTHER HEATER PROBLEMS

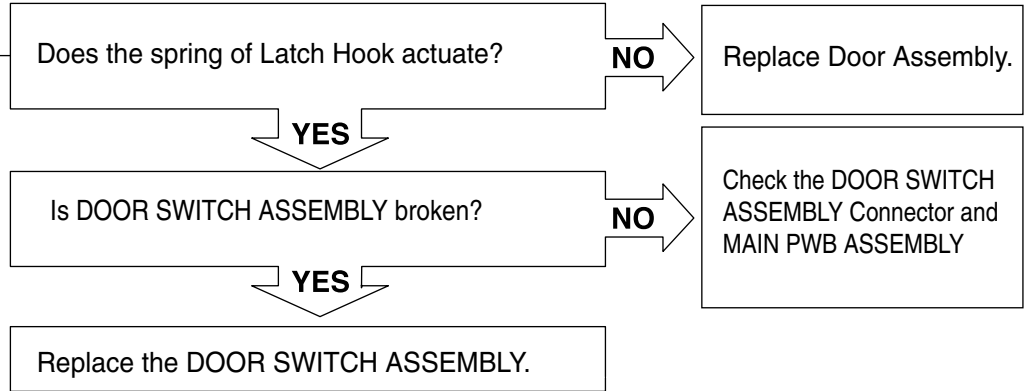
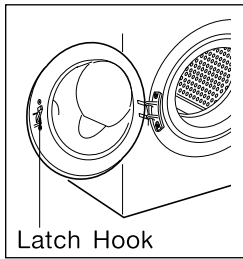


TROUBLESHOOTING

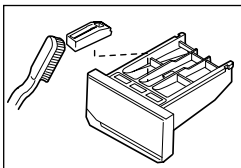
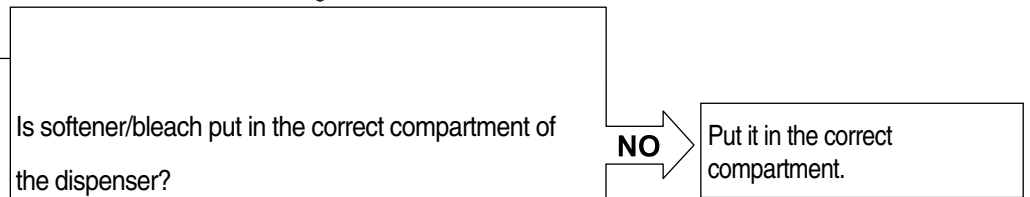
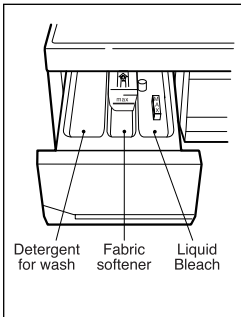
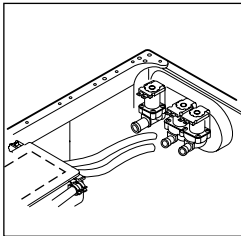
SPIN PROBLEMS



DE ERROR

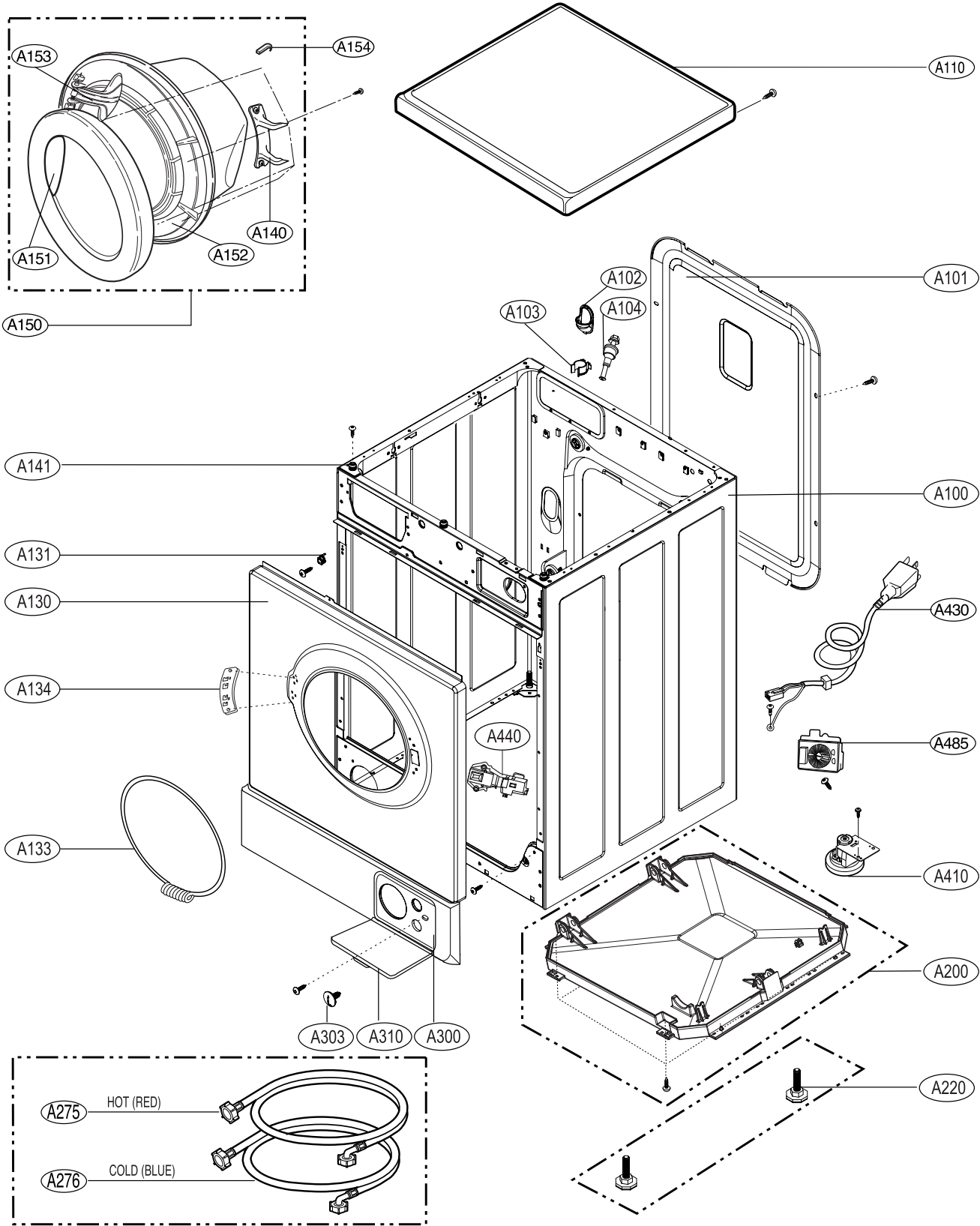


NO SOFTENER



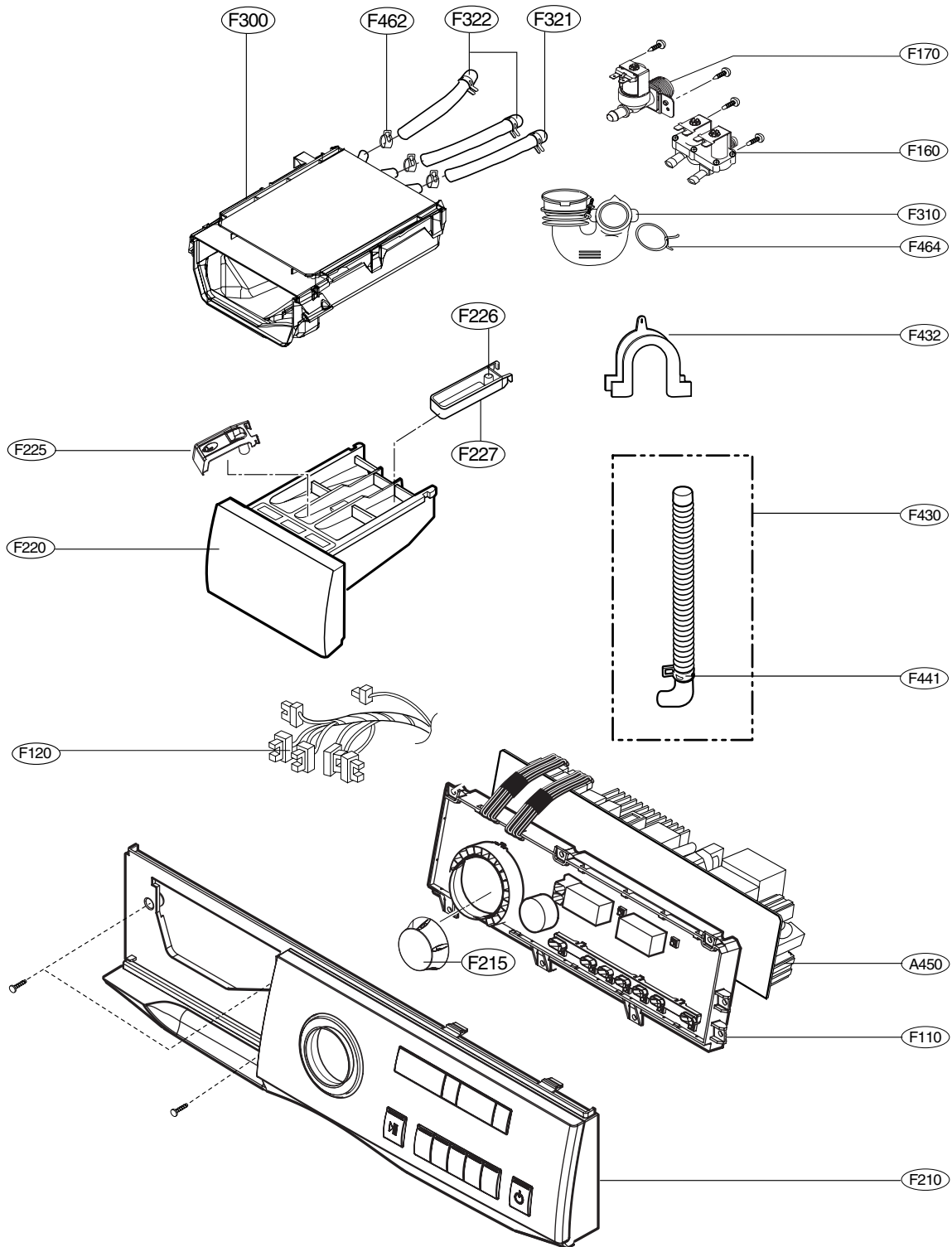
EXPLODED VIEWS

CABINET EXPLODED VIEW

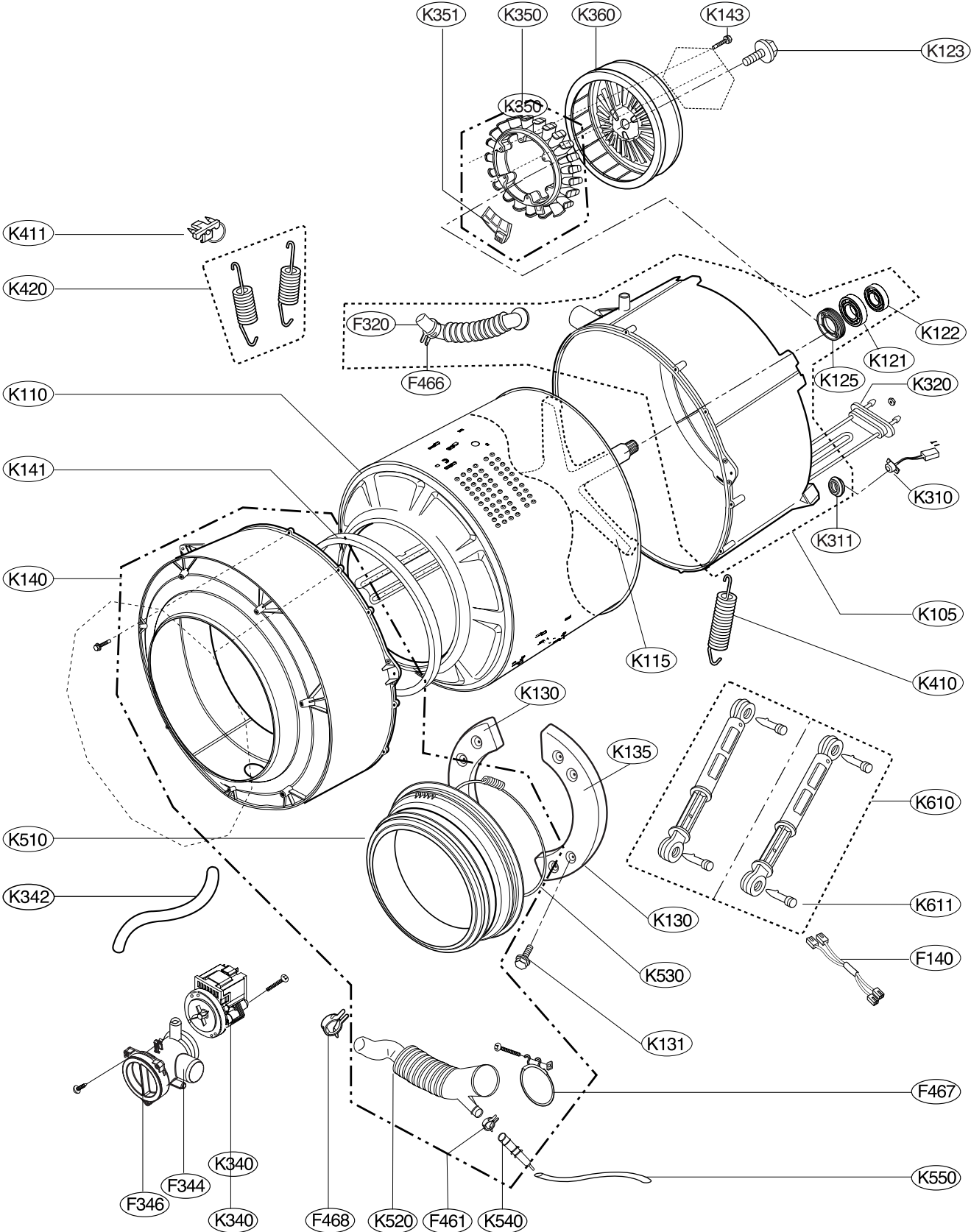


DISASSEMBLY

CONTROL PANEL & DISPENSER



DRUM & TUB



DISASSEMBLY

SERVICE PARTS LIST

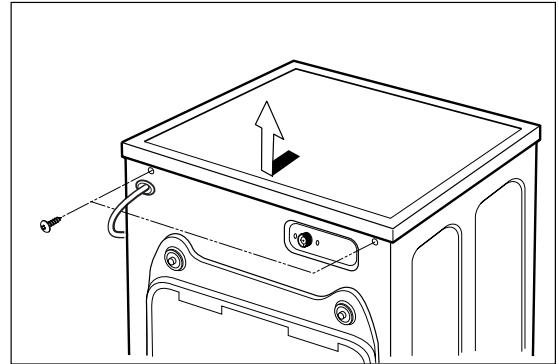
WM1333HW SBOM					
Loc No.	Part No	Name	Loc No.	Part No	Name
A100	3091ER0003D	Cabinet Assembly	F320	4738ER3002A	Bellows (Ventilation)
A100	3301ER1001R	Plate Assembly, Top	F430	5214FR3188G	Hose, Pump
A101	3550ER1028A	Cover, Rear	F432	3W50712A	Hanger Assembly, Pivot
A102	4830FR3107A	Bushing	F441	4861FR3068C	Clamp
A103	4930FR3151A	Holder	F461	4861FR3068C	Clamp
A104	4011FR3159B	Bolt Assembly, Shipping	F464	3W50012O	Ring, Snap
A130	3550ER1009A	Front, Cabinet	F466	4861FR3068B	Clamp, Hose
A131	4930ER4004A	Holder	F467	4860FR3092B	Clamp, Hose
A133	2W20017C	Gasket Clamp, Front	K105	3045ER0026A	Tub Assembly, Outer Rear
A134	4810ER3004B	Bracket, Hinge	K110	3045ER0027A	Tub Assembly, Drum
A140	4774ER2001A	Hinge	K111	4432ER2003A	Lifter
A141	4930ER4001A	Holder	K115	4434ER1005D	Spider
A150	3581ER1009D	Door Assembly	K121	4280FR4048L	Bearing, Ball
A151	3212ER1018B	Frame, Door (Outer)	K122	4280FR4048E	Bearing, Ball
A152	3212ER1019B	Frame, Door (Inner)	K123	4040FR4051C	Bolt, Motor
A153	3650ER2005B	Handle	K125	4036ER2004A	Gasket
A154	4026ER4002A	Latch	K130	4866ER1017B	Balance Weight (Left)
A200	3040ER0004A	Base, Cabinet	K131	4011FR3173D	Bolt Assembly, Bal. Weight
A220	4779ER3002A	Leg Assembly	K135	4866ER1018B	Balance Weight (Right)
A275	5215FD3715J	Hose, Inlet (Hot)	K140	3551ER0015B	Tub Assembly, Outer Front
A276	5215FD3715K	Hose, Inlet (Cold)	K141	4036ER4001A	Gasket, Tub
A300	3550ER1014A	Cover, Lower	K143	4011FA4353C	Bolt, Stator
A303	5006ER3009A	Cap, Drain Hose	K310	6322FR2046F	Thermistor
A310	5006ER3007A	Cap, Cover	K311	4036FR4050A	Gasket
A410	6600FA1704X	Switch Assembly	K320	5301FR1158K	Heater Assembly (120V 1000W)
A430	6411ER1006E	Power Cord Assembly	K340	4681EA2001D	Motor Assembly, AC, Pump
A450	6871ER1096C	PCB Assembly, Main	K342	5214FR4006H	Hose, Connecting
A485	6201EC1006A	Filter, AC Line	K344	3109ER2001A	Casing Assembly, Drain Pump
F110	6871ER2081A	PCB Assembly, Display	K346	5230ER3001A	Filter, Drain
F120	6877ER1054J	Harness, Multi	K350	4417FA1994E	Stator Assembly
F140	6877ER1021R	Harness, Multi	K351	6501KW2001A	Sensor Assembly (Hall)
F160	5220FR1251B	Valve Assembly, Inlet (2 way)	K360	4413ER1001B	Rotor Assembly
F170	5220FR2006H	Valve Assembly, Inlet (1 way)	K410	4970FR2084L	Spring, Hinge
F210	AGL30822601	Panel Assembly, Control	K411	4930FR3040A	Holder
F215	4940ER3015B	Knob, Rotary	K510	4986ER1005A	Gasket, Door
F220	AGL30832701	Panel Assembly, Drawer	K520	4738ER2007A	Bellows, Drain
F225	5006ER3002B	Cap, Softener	K530	4861ER2001B	Gasket Clamp, Rear
F226	5006FR4100A	Cap, Cover	K540	3504FR3134A	Chamber, Air
F227	3890ER3001A	Box, Detergent	K550	5214FR4125X	Hose (to water level diaphragm)
F300	4925ER1017B	Dispenser Assembly	K610	4901ER2003A	Damper Assembly
F310	4738ER2004A	Bellows (Water Inlet)	K611	4774FR3118B	Hinge Pin, Damper

DISASSEMBLY INSTRUCTIONS

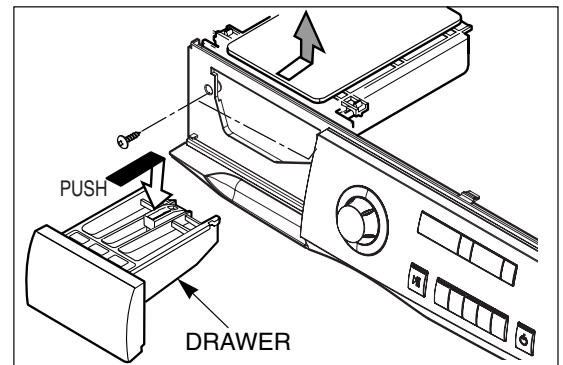
CONTROL PANEL

Be sure to unplug the machine from the outlet before disassembling and repairing the parts.

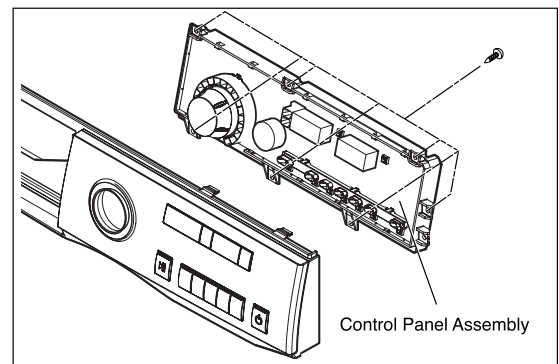
- 1) Unscrew 2 screws on the back of the top plate.
- 2) Pull the top plate backward and upward as shown.



- 3) Disconnect the Display PWB Assembly connector from Flat cable.
- 4) Pull out the drawer and unscrew 2 screws.
- 5) Push 2 upper hooks and pull the Control Panel Assembly forward.

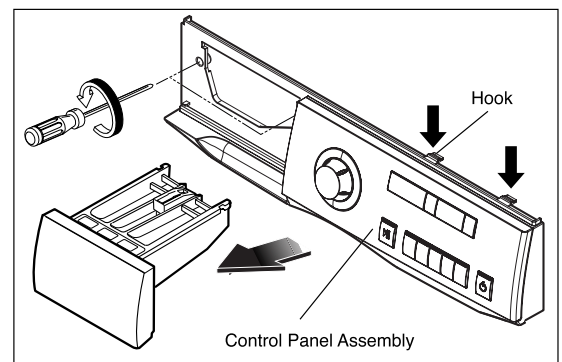


- 6) Unscrew the 6 screws from the Control Panel Assembly.
- 7) Disassemble the Display PWB Assembly.



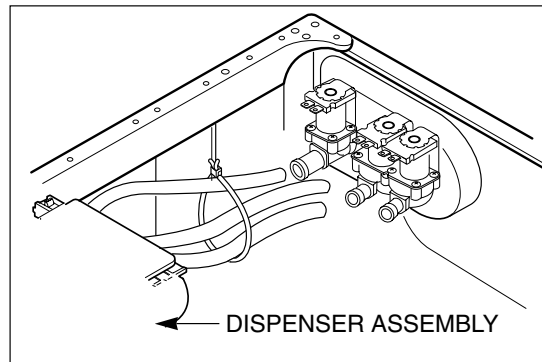
DISPENSER ASSEMBLY

- 1) Disassemble the Top plate assembly.
- 2) Pull out the drawer.
- 3) Unscrew the 2 screws and push out the dispenser assembly.



DISASSEMBLY

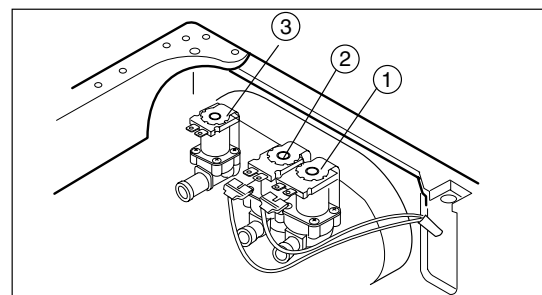
- 4) Disassemble the clamps and hoses.
- 5) Disassemble the bellows at the lower side of the dispenser.



INLET VALVE

- 1) Disassemble the 4 connectors from the valves.
- 2) Unscrew the 2 screws from the back of the cabinet.

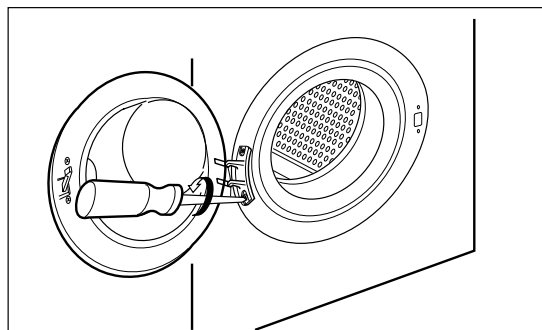
Wire color		
Valve 1	Main Wash	WH - BK
Valve 2	Bleach	GY - BK
Valve 3	Hot	BL - BK



DOOR

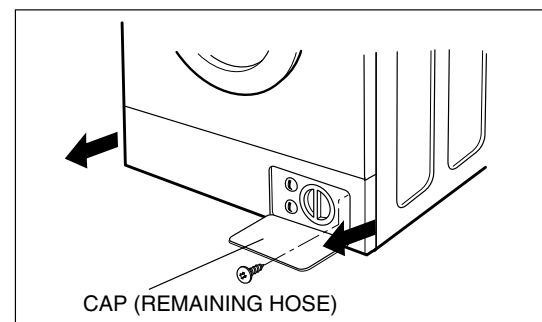
- 1) Open the door.
- 2) Unscrew the 2 screws from the Cabinet Cover.
- 3) Disassemble the door upward.

Caution: When removing the Door Assembly, hold the bracket inside of the cabinet cover.



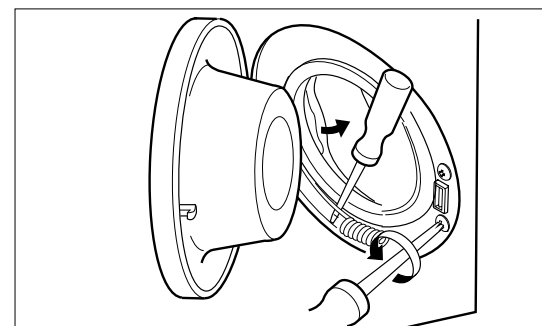
WATER REMOVAL

- 1) Drain remaining water into a bucket by pulling out hose and removing cap.

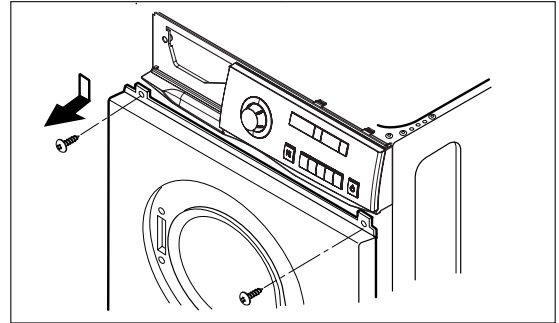


DOOR GASKET

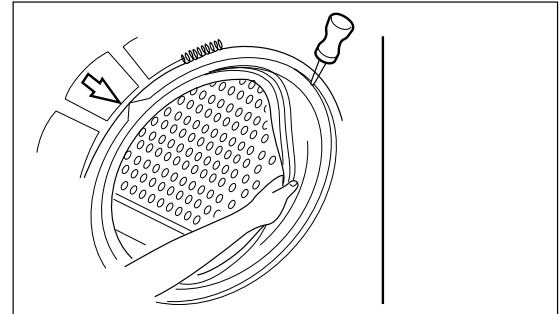
- 1) Disassemble the clamp assembly.
- 2) Unscrew the 2 screws from cabinet cover.
- 3) Open the filter cover and unscrew 1 screw.
- 4) Remove the lower cover.



- 5) Unscrew all the screws from upper and lower part of the cabinet cover.



- 6) Disassemble the clamp assembly.
- 7) When reassembling the gasket, put the drain hole of the gasket downward.

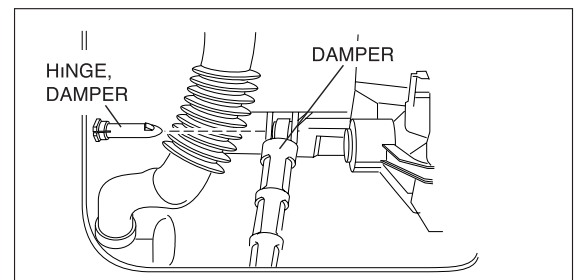
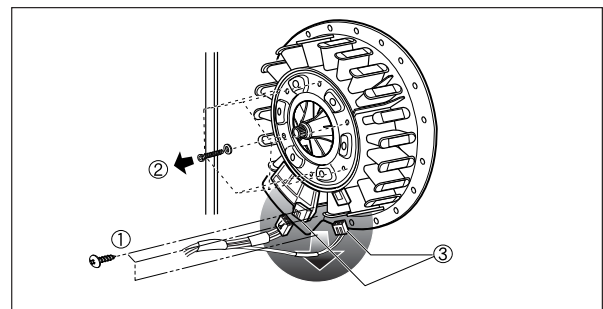
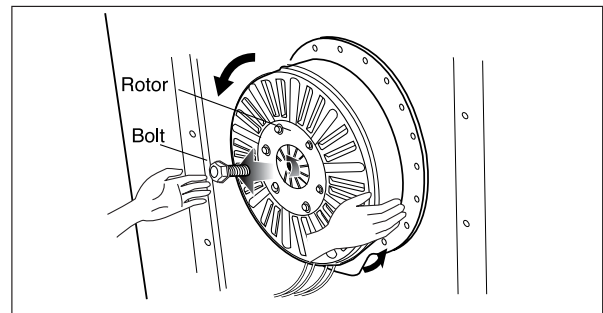


MOTOR/DAMPER

- 1) Disassemble the back cover.
 - 2) Remove the bolt.
 - 3) Pull out the Rotor.

 - 4) Unscrew the 2 screws from the tub bracket.
 - 5) Remove the 6 bolts on the stator.
 - 6) Unplug the 2 connectors from the stator.

 - 7) Disassemble the damper hinges from the tub and base.
 - 8) Separate the dampers.
- NOTE: Once removed, replace the damper with new one.*

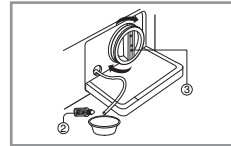
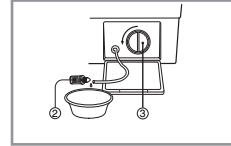
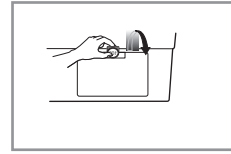


DISASSEMBLY

CLEAN THE DRAIN PUMP FILTER

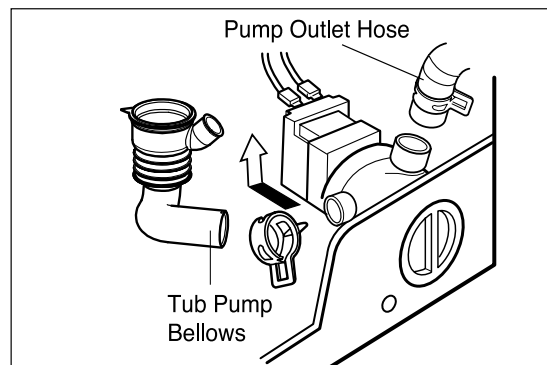
Allow the water to cool down before cleaning the drain pump filter.

- 1) Open the lower cover cap () with a tool such as coin. Turn the drain plug () to pull out the hose.
- 2) Unplug the drain plug (), allowing the water to flow out. At this time use a vessel to prevent water from flowing onto the floor. When water does not flow any more, turn the pump filter () open to the left.
- 3) Remove any foreign objects from the pump filter (). After cleaning, turn the pump filter () clockwise and insert the drain plug () to the original place. Close the lower cover cap().



DRAIN PUMP

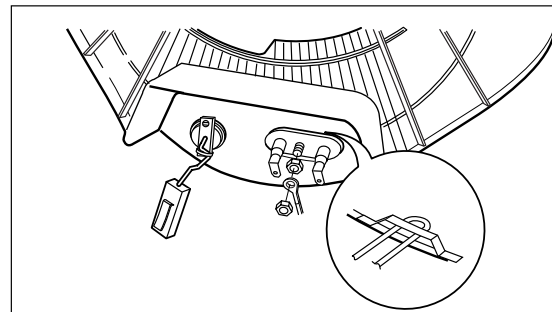
- 1) Remove pump outlet hose.
- 2) Remove tub pump bellows.
- 3) Remove cap (Remaining Hose.)
- 4) Disconnect the wiring.
- 5) Unscrew 2 screws.
- 6) Remove the pump.



HEATER ASSEMBLY

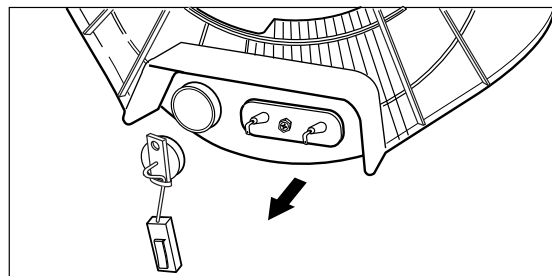
- 1) Loosen the M6 heater nuts to pull out the HEATER ASSEMBLY.

CAUTION: When mounting the HEATER ASSEMBLY be sure to insert the HEATER ASSEMBLY into the heater clip on the bottom of the tub.



THERMISTOR

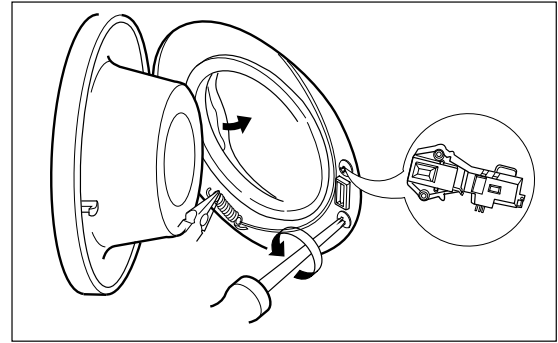
- 1) Pull it out by holding the THERMISTOR bracket.
- 2) If it is pulled by the wire, it may be broken.
- 3) When mounting the THERMISTOR again, make sure that it is got back tight to the bushing.



DOOR SWITCH

- 1) Open the door and disassemble the Clamp assembly.
- 2) Unscrew the 2 screws.
- 3) Disconnect the connector from the Door switch assembly.

NOTE: Reconnect the connector after replacing the DOOR SWITCH ASSEMBLY.



FOREIGN OBJECT BETWEEN DRUM & TUB

- 1) Disassemble the back cover.
- 2) Separate the heater from the tub.
- 3) Remove any foreign objects (wire, coin, etc.) by inserting a long bar in the opening.

