

TRAINING MANUAL

DLEC733W Dryer Training Spring 2007



LG Service

Digital Display

Published January 2007 by LG Education & Product Engineering
Customer Service (and Part Sales): 1-800-243-0000
Technical Support (and Part Sales): 1-800-847-7597
USA Website: www.lgusa.com
Customer Service Website: us.lgservice.com
B2B Service Website: aic.lgservice.com
Training Website: www.LGCSAcademy.com

IMPORTANT SAFETY NOTICE

The information in this training manual is intended for use by persons possessing an adequate background in electrical equipment, electronic devices, and mechanical systems. In any attempt to repair a major appliance, personal injury and property damage can result. The manufacturer or seller maintains no liability for the interpretation of this information, nor can it assume any liability in conjunction with its use. When servicing this product, under no circumstances should the original design be modified or altered without permission from LG Electronics. Unauthorized modifications will not only void the warranty, but may lead to property damage or user injury. If wires, screws, clips, straps, nuts, or washers used to complete a ground path are removed for service, they must be returned to their original positions and properly fastened.

CAUTION

To avoid personal injury, disconnect the power before servicing this product. If electrical power is required for diagnosis or test purposes, disconnect the power immediately after performing the necessary checks. Also be aware that many household appliances present a weight hazard. At least two people should be involved in the installation or servicing of such devices. Failure to consider the weight of an appliance could result in physical injury.

ESD NOTICE

Some of the electronic components in appliances are electrostatic discharge (ESD) sensitive. ESD can weaken or damage the electronics in these appliances in a manner that renders them inoperative or reduces the time until their next failure. Connect an ESD wrist strap to a ground connection point or unpainted metal in the appliance. Alternatively, you can touch your finger repeatedly to a ground connection point or unpainted metal in the appliance. Before removing a replacement part from its package, touch the anti-static bag to a ground connection point or unpainted metal in the appliance. Handle the electronic control assembly by its edges only. When repackaging a failed electronic control assembly in an anti-static bag, observe these same precautions.

REGULATORY INFORMATION

This equipment has been tested and found to comply with the limits for a Class B digital device, pursuant to Part 15 of the FCC Rules. These limits are designed to provide reasonable protection against harmful interference when the equipment is operated in a residential installation. This equipment generates, uses, and can radiate radio frequency energy, and, if not installed and used in accordance with the instruction manual, may cause harmful interference to radio communications. However, there is no guarantee that interference will not occur in a particular installation. If this equipment does cause harmful interference to radio or television reception, which can be determined by turning the equipment off and on, the user is encouraged to try to correct the interference by one or more of the following measures: Reorient or relocate the receiving antenna; Increase the separation between the equipment and the receiver; Connect the equipment to an outlet on a different circuit than that to which the receiver is connected; or consult the dealer or an experienced radio/TV technician for help.

COMPLIANCE

The responsible party for this device's compliance is LG Electronics Alabama, Inc.; 201 James Record Road, Huntsville, AL, 35824.

TABLE OF CONTENTS

OVERVIEW	5
INTRODUCTION	5
SPECIFICATIONS	5
ACCESSORIES	6
INSTALLATION	7
LEVEL THE DRYER	7
POSITION THE DRYER	7
CONDENSATE DRAIN	8
STACKING KIT	8
GROUNDING	8
ELECTRICAL PLUG CONNECTIONS	9
PREPARATION OF THE DRYER	9
DRYER MAINTENANCE	9
OPERATION	11
CONTROL PANEL	11
AUTO CYCLES	12
TROUBLESHOOTING	13
QC TEST MODE	13
WIRING DIAGRAM	14
TROUBLESHOOTING CHART	15
DIAGNOSTIC TESTS	16
COMPONENT TESTING	23
DISASSEMBLY	25
CONTROL PANEL & TOP PLATE EXPLODED VIEW	25
FRONT CABINET EXPLODED VIEW	26
BASE EXPLODED VIEW	27
DRUM EXPLODED VIEW	28
SERVICE PARTS LIST	29
DISASSEMBLY INSTRUCTIONS	30

OVERVIEW

INTRODUCTION

Series 33 (WM1333Hx, DLEC733x, etc.) laundry products are being introduced into the United States by LG Electronics during 2007. The Series 33 product line includes two dryers. This manual covers the DLEC733x condensation dryer. It is a ventless unit well suited for installation in areas where ducts to the outside can't be installed. This unit condenses moisture from the heated air in the dryer. The installation can be set up to drain the condensed water or collect it in a reservoir for later disposal.

SPECIFICATIONS



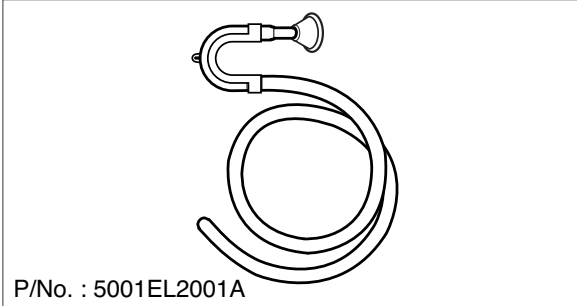
ITEM	DLEC733
DRYING TYPE	Condensation
WEIGHT	88 lbs. (40 kg.) 101 1/2 lbs. (46 kg.) gross
SIZE	23 1/2" (W) x 33 1/2" (H) x 23 5/8" D 595 mm. (W) x 850 mm. (H) x 600 mm. (D)
STANDARD CAPACITY	15 1/2 lbs. (7.0 kg.)
POWER SUPPLY	AC 220-230 V, 50 Hz (16A)
MOTOR	250 W
HEATER	2500 W (22.5)
LAMP	15 W (125 mA)
DOOR SWITCH	250 V (10 A)
THERMOSTAT	240 V (25 A)
DRUM CAPACITY	116 Liters
SAFETY DEVICES	Thermal Fuse (Motor) Over current protect (Motor) Thermostat
SENSING TYPE	Micom Electronic Control 1. 2 Thermistors 2. Humidity Electrode Sensor 3. Semiconductor Sensor
FILTER	Removable (Double screen)
DRUM SPEED	56-57 rpm
REVERSIBLE DOOR	Yes
DRUM	Stainless steel

OVERVIEW

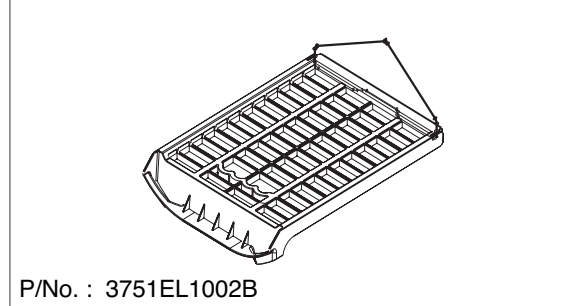
ACCESSORIES

DLEC733

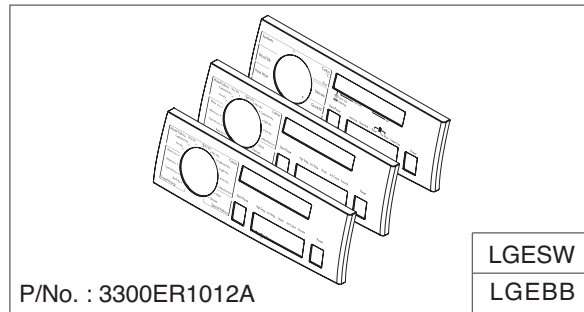
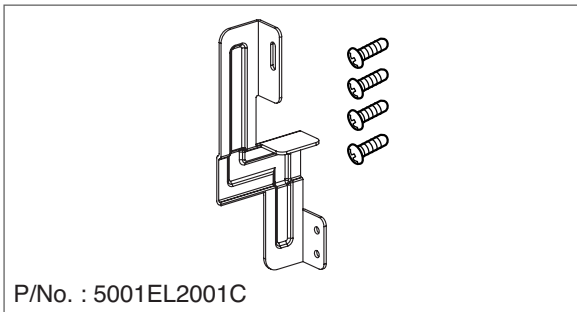
1. Drain Hose Assembly



2. Dryer Rack Assembly



3. Stacking kit Assembly (Purchased Separately)

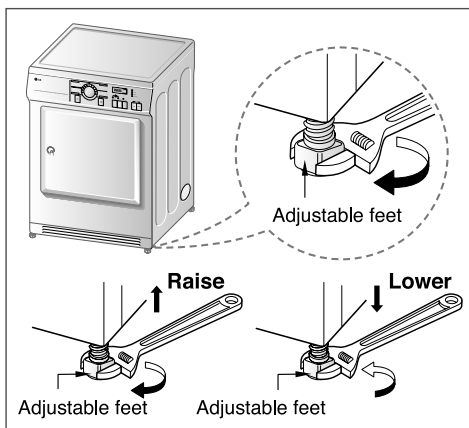


INSTALLATION

Usually, the technician will be called to service a machine that has already been installed by someone who has been specifically trained for that task. It is important, however, that the servicer be familiar with installation procedures and able to determine whether a particular problem is a product defect or the result of poor installation. The following pages describe an installation and operation check.

LEVEL THE DRYER

Leveling the dryer is to prevent undesirable noise and vibration. Place your dryer in a solid and level area where water is not dripping or freezing. If the dryer is not level, adjust the leveling legs up and down as necessary. Turn them clockwise to raise and counterclockwise to lower until the dryer is not wobbling both front-to-back and side-to-side.



When pushing down the opposite corners of the machine, the machine should not move. (Please, check both directions) If machine rocks when pushing the machine top plate diagonally, adjust the feet again.

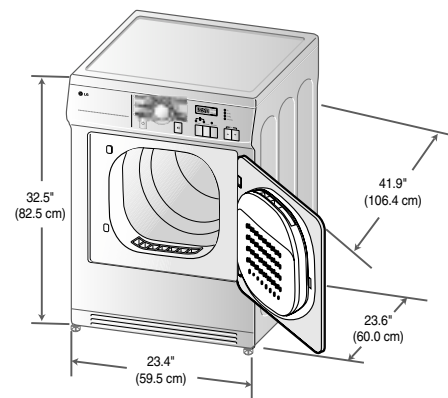


POSITION THE DRYER

Choose a location with a solid floor for your dryer. Place the dryer at least eighteen inches above the floor for a garage installation. After placing the dryer in the desired location, please make sure that it has the required clearances shown below.

Leveling legs should be secured. All four legs are stably placed on the solid and even floor. If dryer is not level, laundry may not tumble properly and sensor will not detect the accurate humidity information. When adjusting leveling, please be cautious not to have serious injuries on your fingers and toes.

Certain minimum clearances are required behind and to the sides of the unit, as shown. Consider space needed for companion appliances and allow additional clearance for installation and servicing.



INSTALLATION

Wall, door and floor molding may force additional clearances. An additional inch of clearance is recommended to minimize noise transfer. For closet installations, the picture shows the minimum required ventilation openings for the door. A louvered door with comparable ventilation openings is also acceptable.

BUILT-IN INSTALLATION

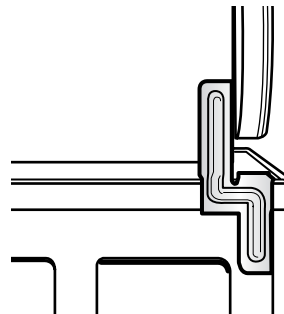
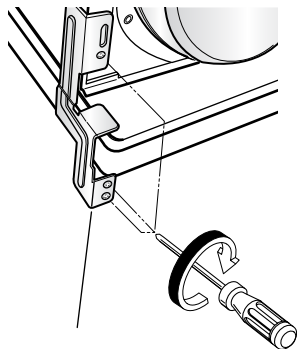
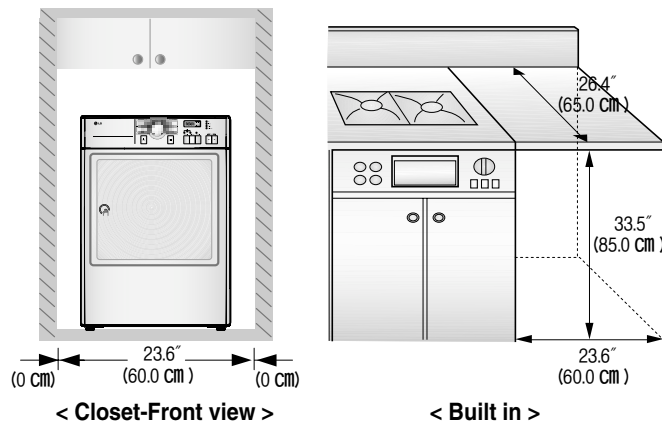
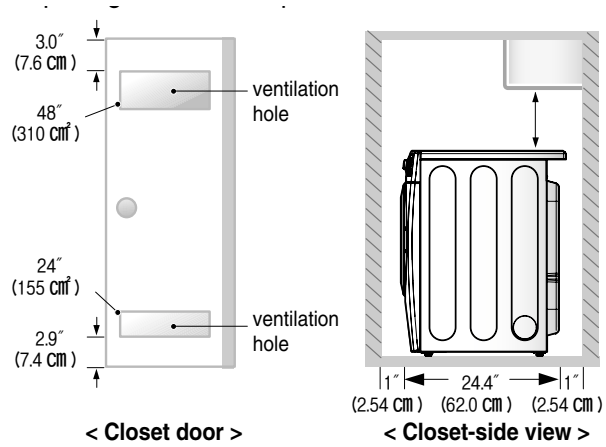
Your dryer can be built-in. You can fit the dryer under-counter in a kitchen cabinet opening. Consider space needed for companion appliances. Opening dimensions are shown as follows. For your safety, metal cover must be tightly fitted. This must be placed by an experienced service person and installed under a continuous worktop.

CONDENSATE DRAIN

The dryer can drain water without delivering to water container. Water is directly pumped out of the dryer.

STACKING KIT

In order to stack this dryer on an LG washing machine, a stacking kit is needed.



GROUNDING

This appliance must be grounded. In the event of malfunction or breakdown, grounding will reduce the risk of electric shock by providing a path of least resistance for the electric current. Some local codes may require a separate ground. In such cases, the required accessory ground wire, clamp and screw must be purchased separately.

This appliance is equipped with a cord having an equipment grounding conductor and a grounding plug. The plug must be plugged into an appropriate outlet that is properly installed and grounded in accordance with all local codes and ordinances.

Caution: Improper connection of the equipment grounding conductor can result in a risk of electric shock. Check with a qualified electrician or a service person if you are in doubt as to whether the dryer is properly grounded.

ELECTRICAL PLUG CONNECTIONS

Following are several warnings and instructions concerning making the electrical connection for electric dryers. Use power supply (Socket) rated at 230 Volts at 15 amps.

CAUTION: Do not plug with several other appliances power cord. Do not grasp power cord or switch with wet hands. Do not use damaged power cord, plug and socket.

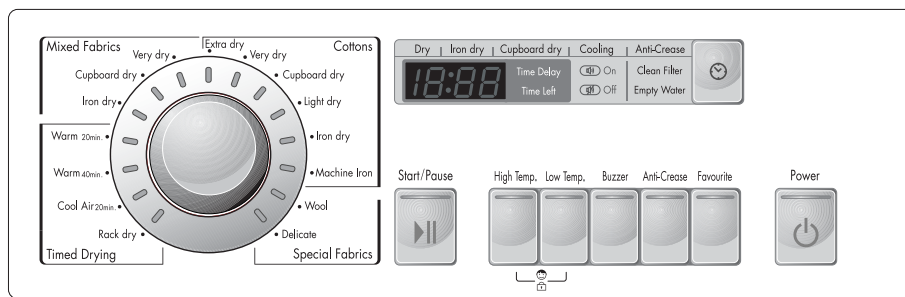
PREPARATION OF THE DRYER

Prior to the first use of this appliance, use all-purpose cleaning products or a solution of detergent and water, with damp clothes to remove from the inside of the dryer drum any dust or dirt that may have accumulated in the inside of the dryer. Plug-in your dryer after reviewing the following parts on your dryer's Electrical Requirements.

DRYER MAINTENANCE

- 1) After one year of use or if drying performance decreases, the interior and complete exhaust system of the dryer should be examined and cleaned if necessary.
- 2) Check the weather hoods frequently to ensure the dampers are moving freely, that the dampers are not pushed in and that nothing has been set against the dampers.
- 3) A qualified service person or company should be used to perform this maintenance.
- 4) Ordinarily, the dryer drum will need no care. Wipe the exterior of the dryer as required, and always immediately wipe the exterior of the dryer in the event any detergent, bleach, or other washing products is spilled on the dryer, because these products may cause permanent damage to the exterior finish of the dryer.
- 5) Clean the control panel with a damp cloth as necessary. Warning: spray pre-wash products may damage the finish of the control panel.
- 6) Please clean the lint filter either before or after drying each load.
- 7) Always make sure the lint filter is clean before starting a new load, because a clogged lint filter may increase drying times.
- 8) Please note that the wiring diagram is provided inside the dryer Top Plate. Label all wires prior to disconnection when servicing the dryer, because wiring errors can cause serious injury to you and your dryer.

OPERATION

CONTROL PANEL**HIGH TEMP. / LOW TEMP.**

These are functioning to shorten or lengthen the cycle time by increasing or decreasing temperature.

BUZZER

This is about buzzer sound on/off. After power is on and you select cycle, buzzer will sound when you press a certain button on the panel. If you don't like to hear that sound, just press Buzzer button. The Buzzer is then turned -off.

WRINKLE CARE

Wrinkle Care is functioning to prevent creases and rumples that are formed when the laundry is not unloaded promptly at the end of drying cycle. In this function, the dryer repeatedly runs and pauses to the cycle end. If the door is open during Wrinkle Care process, this function is cancelled.

FAVORITE

This feature allows the customer to customize one program. Choose the cycle and the desired options, then press and hold the button until a beep sounds (about 3 seconds). The next time the dryer is used simply press the power button and Favorite is returned tot the programmed setting.

TIME DELAY

You can use the Time Delay function to delay the finishing time of drying cycle. Maximum Time Delay is 19 hours.

1. Turn the dryer on
2. Select cycle
3. Set time delay hour
4. Press Start/Pause button

OPERATION

CHILD LOCK

To engage the child lock, press High Temp and Low Temp buttons at the same time for about 3 seconds. A light on the display panel will come on when child lock is set.

AUTO CYCLES

Electronic Auto Dry Cycles		Standard Program
Mixed-Fabric cycle s Note: press the "Low temp." button for heat-sensitive items		
Bed linen and table linen, tracksuits, anorak, blankets	For thick and quilted fabrics which do not need to be ironed.	Very Dry
shirts, blouses and sportswear	For fabrics which do not need to be ironed.	Normal
Trousers, dressers, skirts, blouses	For fabrics which do need to be ironed.	Damp
Cotton (Whites and colors) Note: press the <i>Low Temp.</i> button for heat-sensitive items		
Towelling, dressing gowns and bed linen	For thick and quilted fabrics.	Very Dry
Terry towelling, tea towels, towel, bed linen	For thick and quilted fabrics which do not need to be ironed.	More Dry
Bath towels, tea towels, underwear, cotton socks	For fabrics which do not need to be ironed.	Normal
T-shirts, trousers, underwear, work clothes	For fabrics which do need to be ironed lightly, not completely.	Less Dry
Bed linen, table linen, towels, T-shirts Polo shirts and work clothes	For fabrics which do need to be ironed.	Slightly Damp
Bed linen, table linen, towels	For fabrics which do need to be pressed.	More Damp
Time Cycles for selected length of time		
Bath towels, bath robes, dishclothes, Quilted fabrics made of acrylic	Small clothes & pre-dried laundry Normal Normal fabrics using hot temperature for 20minutes	Warm (20min.)
	Small clothes & pre-dried laundry Normal fabrics using hot temperature 40minutes	Warm (40min.)
All fabrics needing freshing, tumbles without heat		Cool Air (20min.)
sweater, delicate, fabrics, sportshoes	For the fabrics you do not want tumble dry.	Rack dry
Special Fabric s		
Wool	For wool fabrics.	Wool
Silk, Women's thin clothes, lingerie	For fabrics which are heat-sensitive like synthetic fabrics.	Delicates

TROUBLESHOOTING

CAUTION: Be careful of electric shock or disconnecting the parts while troubleshooting. Voltage of each terminal in 220-230V~ and DC while applying an electric current.

QC TEST MODE

To enter the QC Test Mode, press the *Power* button while holding the *Buzzer* and *Wrinkle Care* buttons. After entering the QC Test Mode, step through the tests below by pressing the *Start/Pause* button.

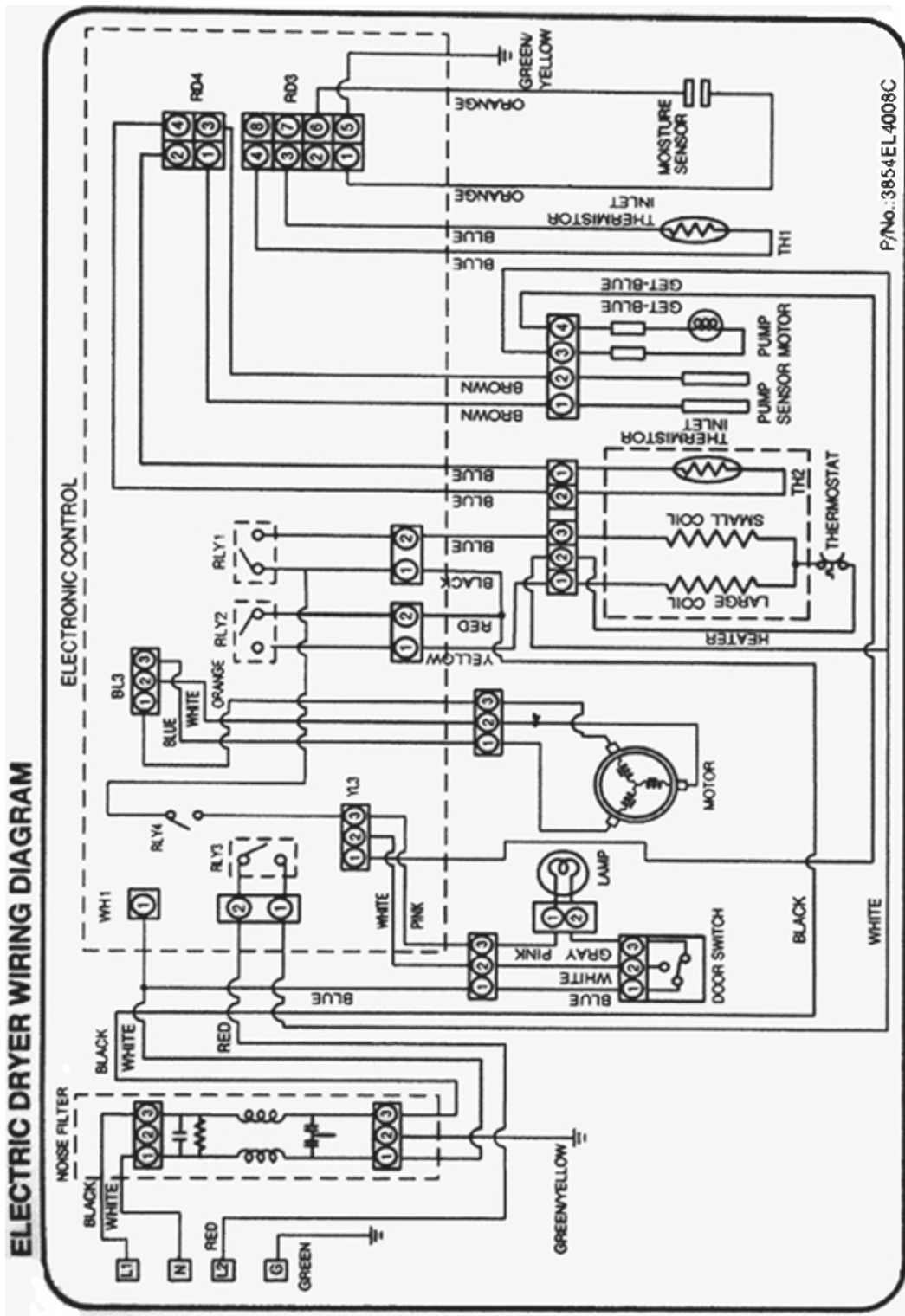
QC Test Mode		
Start/Pause __ times	Checkpoint	Display
0	LEDs	Programming checksum
1	Motor on (CCW), Humidity data	Moisture data (Normal: 230-245)
2	Motor on (CW), Humidity data	Moisture data (Normal: 230-245)
3	Motor on (CW) 1750W heater on	Temperature at low temp thermistor under the door
4	Motor on (CW) both heating coils on	Temperature at high temp thermistor located in heater
5	Pump on, Motor off	Moisture data (Normal: 230-245)
6	Motor on (CW)	Moisture data (Normal: 230-245). (For moisture sensor check on production line by opening door with door switch pressed.)
7	Motor off	Moisture data (Normal: 221) by semiconductor moisture sensor.
8	Motor off, Buzzer on	ELE for checking ELB sensor
9	End	

Note: This information was verified on an early production dryer. The sequence of operations may vary on the particular dryer being serviced.

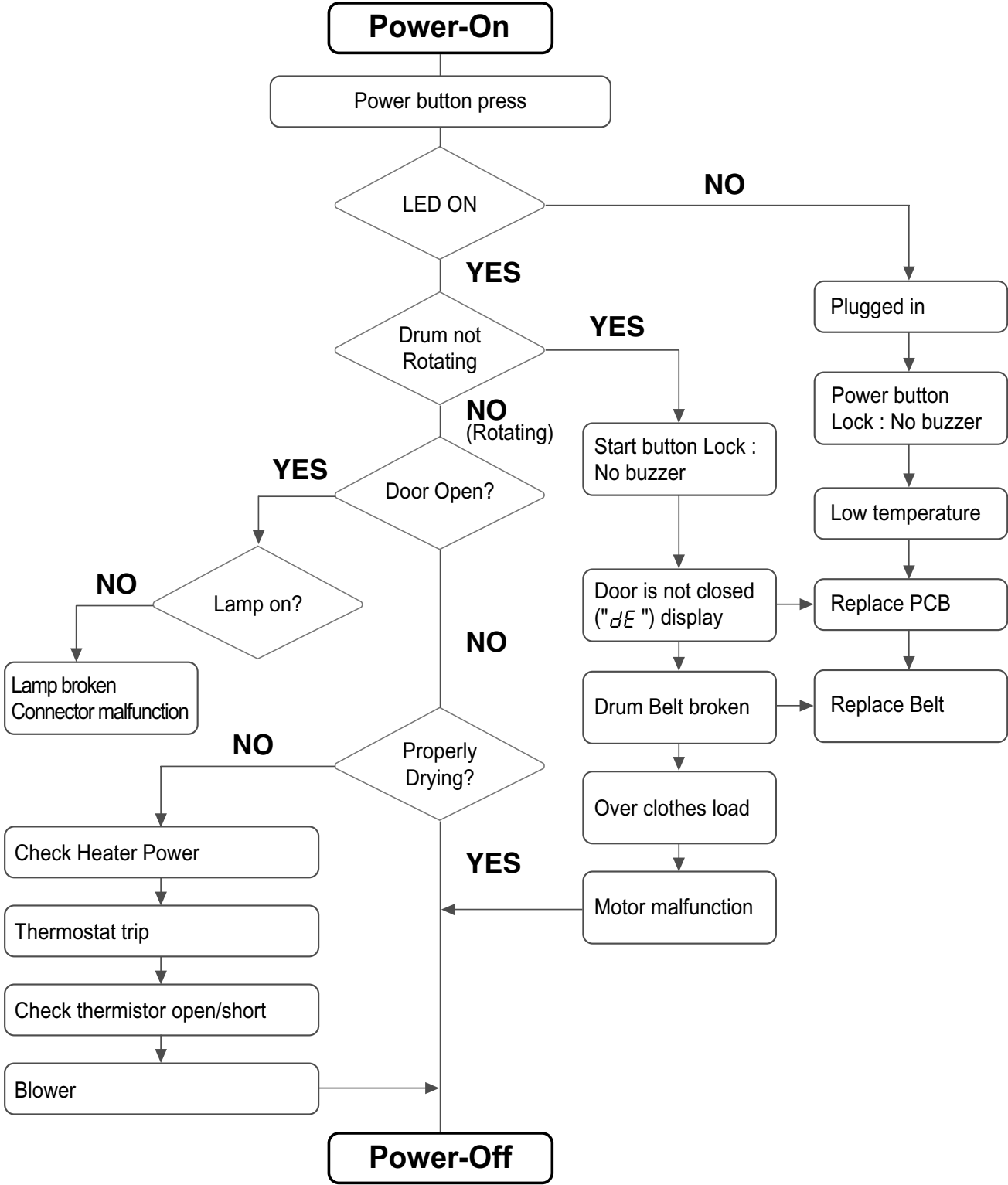
TROUBLESHOOTING

WIRING DIAGRAM

This is a photo of the wiring diagram you will find on the back the dryer.



TROUBLESHOOTING CHART



TROUBLESHOOTING

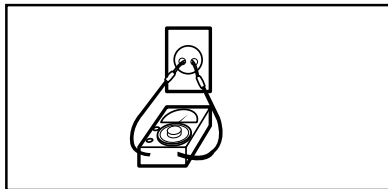
DIAGNOSTIC TESTS

POWER & CONTROL PANEL

Trouble Symptom : No power to the dryer or the controller

Measurement condition : Power is on.

[Caution] Electric shock. Please test after grounding check.

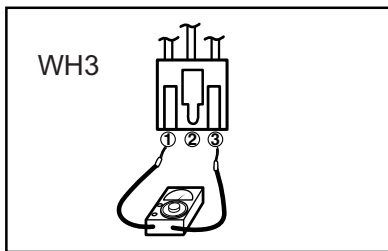


Power voltage is within standard range (AC 215V~245V)?

NO

- Check the - Circuit breaker

YES

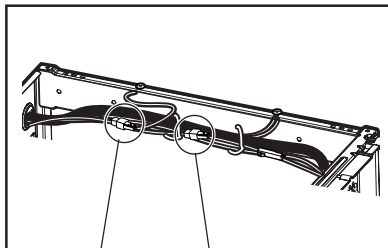


- Check after pulling white 3 pin connector out from controller.
- Check the range of white pin ①~③ is within AC 215~245V?

YES

- Check or replace the controller

NO

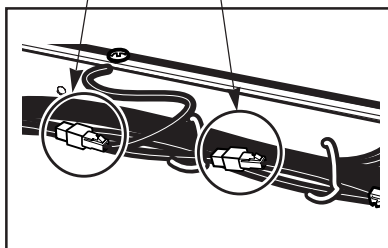


- Check connection of power cord and harness assembly.
- Check white 1pin-black 1pin of connector and secure that range is between AC 215~245V?

NO

- Check or replace the power cord

YES



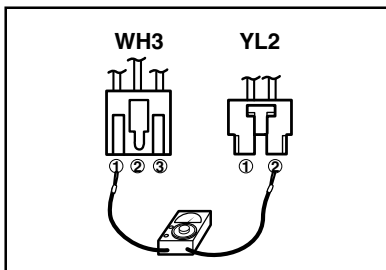
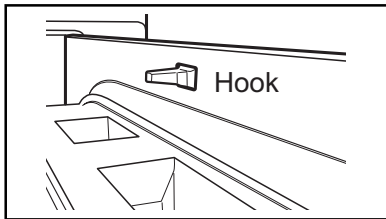
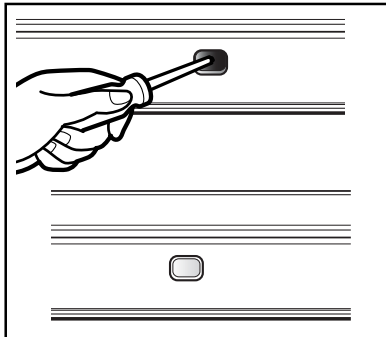
Check the short of harness assembly(white and white wire) and the connection(WH3)

※ In the case that the dryer is not working, when controller is powered and display button is properly working, Check RLY1 in the controller.

DOOR SWITCH & LAMP

Trouble Symptom : Malfunction of lamp operation and door switch
No operation of pump motor

Measurement condition : Check if they are working while being connected to power supply.



When door is opened, lamp turns on?
(Tumbling stops)

NO

Check door switch movement.
- See the left picture.
Check and replace lamp.
- See the 16 page

YES

When door is closed, lamp turns off?
When "Start" button is on, the dryer is working?

YES

• Door switch is working normally.

NO

When door is opened or closed, door switch hook is not broken?

YES

• Replace door hook and close the door.

NO

• With door closed, check voltage of connector WH3③ and YL3① which are pulled out from controller in advance. The voltage range is between AC 215~245V?

NO

• Door frame is distorted
• Check door switch
- See 16 page

YES

Check or replace Controller Assembly
Replace Harness and connector

• With door closed, when "Start" button is pressed, lamp turns off and controller is working, but the dryer is not working.

• With door closed, check voltage of connector WH3① and YL2② which are pulled out from controller in advance. The voltage range is between AC 215~245V?

NO

• Check Harness

YES

• Check and replace Controller

TROUBLESHOOTING

MOTOR

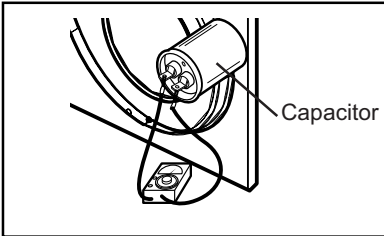
Trouble Symptom : Motor malfunction, ventilation error

Measurement condition : • Power cord is unplugged.
 • Door is closed.
 • Pre-Check door switch
 (If door switch has contact problem, pump motor is not working.)

• When power is on, motor is rotating.



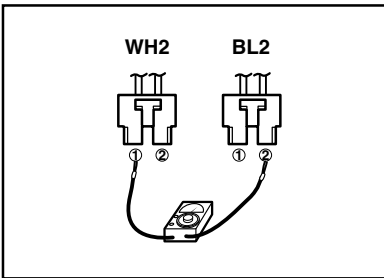
• Check or replace Controller
 - TR1, TR2 broken



• During operation, motor noise is generated. And drum and blower are not working.



• Check Capacitor volume.
 - See component test page.
 - See the left picture.
 • Check belt is burst.
 • Check structural restriction.



With WH2, BL2 being unplugged from Controller,
 ① WH2 ① - BL2 ① resistance
 ② WH2 ① - BL 2 ② resistance
 measurement ranges 18Ω~26Ω ?



• Check or replace Motor
 - Check Motor TP
 • Check Harness connection

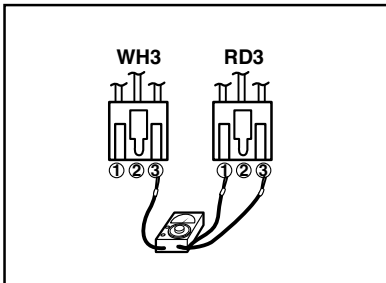


• Check controller
 -See page 15
 (PCB Assembly Lay-out)

HEATER

Trouble Symptom : Heater is not working. Drying failure. The designated temperature is not reached.

Measurement condition : ① Power cord is unplugged.



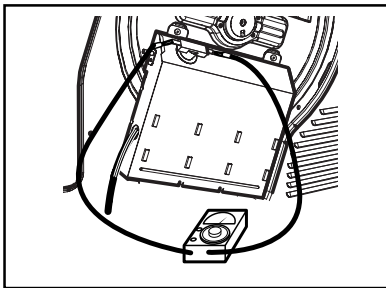
With WH3, RD3 disconnected from Controller,

① WH3 ③ - RD3 ① resistance ranges $26\Omega\sim32\Omega$?

② WH3 ③ - RD3 ③ resistance ranges $53\Omega\sim59\Omega$?



- Check and replace controller.
- Relay RTY2, RTY3
- See page 15, PCB assembly lay-out.



When check thermostat to Heater,
it is less than 1Ω ?



- Replace Heater
- Check Harness connection



Manually get Thermostat back (Press button)

Heater On/Off occurs frequently

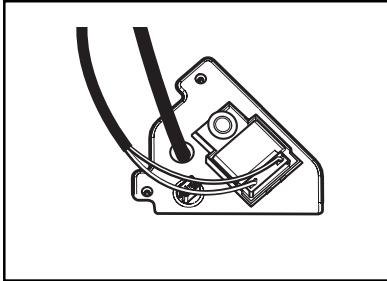
1. Clean Condensing unit :
2. Check if Lint filter is damaged or clogged

TROUBLESHOOTING

PUMP

Trouble Symptom : Check if pump is out of order. "Empty Water" Error signals.

Measurement condition : Power cord is unplugged.

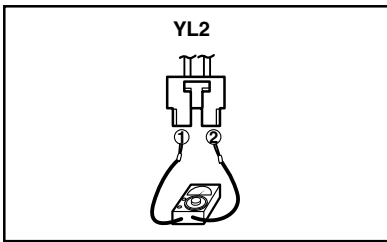


(Measure with power on)
On QC test mode, when Pump is on,
Electric noise doesn't occur
Electric noise doesn't occur while pumping?

YES

- Disassemble Pump
- Check foreign objects
- Check impeller restriction
- Check connection hose clogged

NO

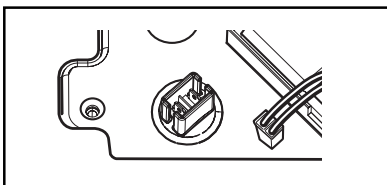


(Measure after power is off.)
With YL2 disconnected from Controller,
YL 2 ① - YL 2 ② resistance ranges $205 \pm 10\Omega$?

NO

- Check or replace pump
- Check Harness connection

YES

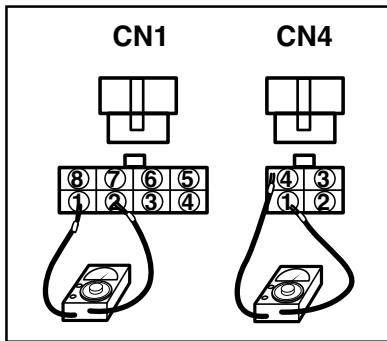


- Check Pump sensor
- Check and replace Controller - TR3

THERMISTOR

Trouble Symptom : Poor drying performance(over-drying or no drying). Abnormal thermistor operation.

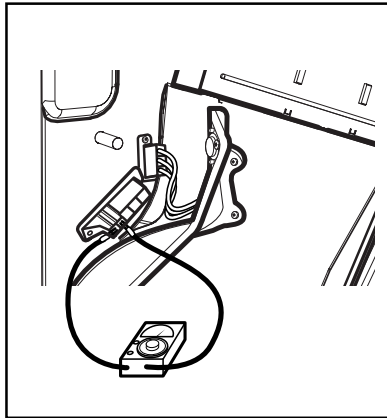
Measurement condition : Power cord is unplugged.



With CN1(RED4), CN4(WH4) disconnected from Controller, check
 ① TH-Heater
 CN4 ② - CN4 ① resistance ranges table data according to surrounding temperature?
 ②TH-Drum
 CN1 ① - CN1 ② resistance ranges table data according to surrounding temperature?



• Check and replace Controller



• When measuring "TH-Heater" Thermistor, they range Table data ?



• Replace "TH-Heater" Thermistor



• When measuring "TH-Drum " Thermistor, they range Table data ?



• Replace "TH-Drum " Thermistor



• Check Harness

Dryer Temperature	Resistance		Dryer Temperature	Resistance		Remark
	TH-Heater	TH-Drum		TH1	TH2	
10°C ↓		19~111kΩ	40~50°C	113~75kΩ	5~4kΩ	
20~30°C	250~180kΩ	11~8kΩ	50~60°C	75~50kΩ	4~2.5kΩ	
30~40°C	180~113kΩ	8~5kΩ	60°C ↑	50kΩ ↓	2.5kΩ ↓	

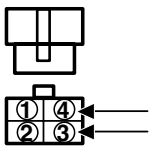
TROUBLESHOOTING

MOISTURE SENSOR

Trouble Symptom : Drying Failure

Measurement condition : Power cord is unplugged.

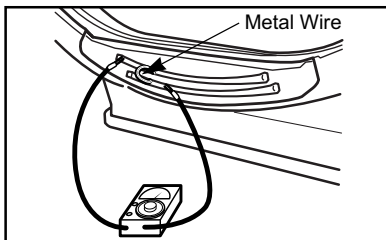
CN1(RD4)



With CN1(RED4) disconnected from Controller, CN1 ③ - CN1 ④ resistance is unlimited?



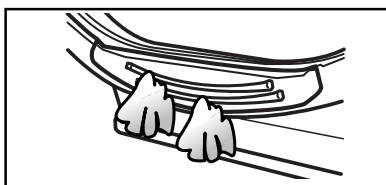
- Check Harness
- Check if Sensor tips have foreign objects
- Refer to the left picture



With metal tape attached to Sensor tips, CN1 ③ - CN1 ② resistance is less than 10Ω?



- Check Harness
- Open, Connector is disconnected



After damp clothes touch Sensor tips, the range are within the below table when QA-test?



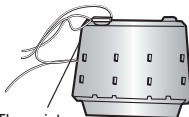


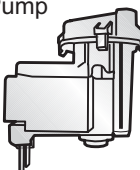


- Check and replace Controller

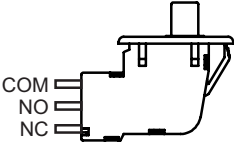
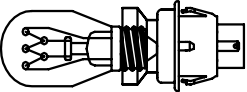
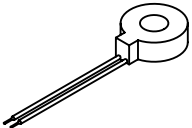
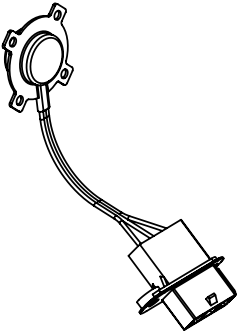
* IMC	DISPLAY	NOTE
40% ~ 60%	50 ~ 130	After Spinning
5% ~ 20%	100 ~ 200	Iron dry
-3 ~ +5 %	205 ~ 240	After normal dry

* IMC : Initial Moisture Contents.

COMPONENT TESTING

Component	Test procedure	Check result	Remark
1. Thermostat (Manual type) 	Measure resistance of Terminal to terminal 1) Open at 170°C (-10/+5°C)	Measure resistance by pressing button When resistance becomes ∞ Resistance value $< 5\Omega$	Safety Thermostat
2. Thermistor (Low temp.) 	Measure resistance of terminal to terminal	Resistance value : $10K\Omega \pm 5\%$ (at 25°C)	Cover, Front
3. Heater, Thermistor  Thermistor	Measure resistance of Terminal to terminal	Resistance value : Yellow/White : $28.96 \pm 1\Omega$ Blue/White : $56.29 \pm 2\Omega$	Heater
	Measure resistance of terminal to terminal	Resistance value : $200K\Omega \pm 5\%$ (at 25°C)	
4. Motor 	Measure resistance of Terminal to terminal	Resistance value : White/Blue : $24.8 \pm 2.5\Omega$ Blue/Red : $21.5 \pm 2.0\Omega$	
5. Capacitor 	Measure capacitance of Terminal to terminal	Capacitance value : $10 \pm 0.2\mu F$	
6. Pump 	Measure resistance of Terminal to terminal	Resistance value : $205 \pm 10\Omega$	

TROUBLESHOOTING

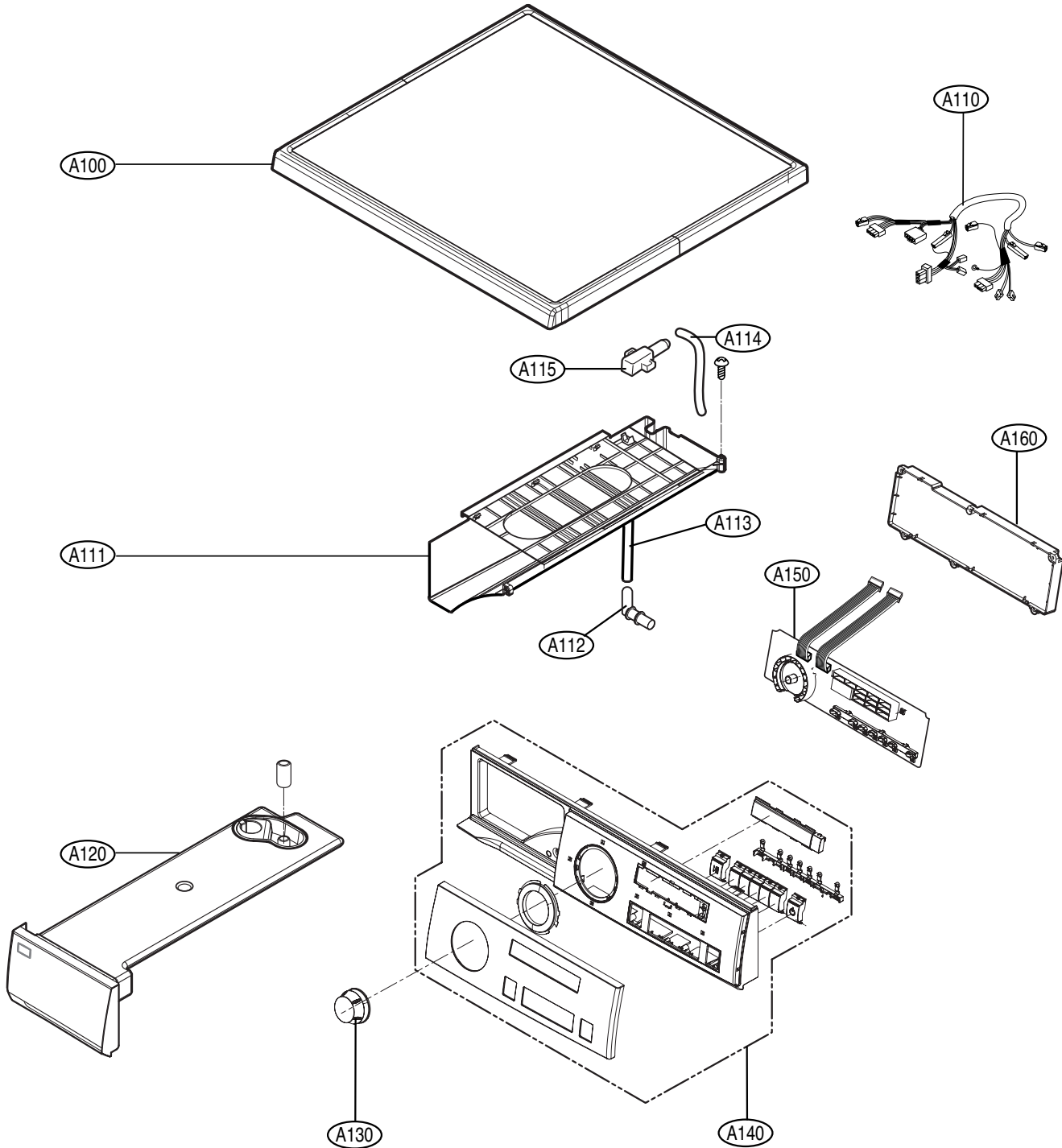
Component	Test procedure	Check result	Remark
<p>7. Door S/W</p> 	<p>Measure resistance of the Following terminal</p> <p>1) Door switch knob : open</p> <p>① Terminal : "COM"- "NC" (1-3)</p> <p>② Terminal : "COM"- "NO" (1-2)</p> <p>2) Door switch push : Push</p> <p>① Terminal : "COM"- "NC" (1-3)</p> <p>② Terminal : "COM"- "NO" (1-2)</p>	<p>① Resistance value < 1Ω</p> <p>② Resistance value ÷ ∞</p> <p>① Resistance value ÷ ∞</p> <p>② Resistance value < 1Ω</p>	<p>The state that knob is Pressed is opposite to open condition</p>
<p>8. Lamp holder</p> 	<p>Measure resistance of terminal to terminal</p>	<p>Resistance value : 80Ω~100Ω AC 230V, 15W</p>	
<p>9. ELB (Earth Leakage Breaker)</p> 			
<p>10. Semi Conductor Sensor</p> 	<p>Measure resistance of Terminal to Terminal</p>	<p>Resistance value : Red/Black : 29±4</p>	

DISASSEMBLY

CONTROL PANEL & TOP PLATE EXPLODED VIEW

 : NON SVC Parts

 : SVC Parts



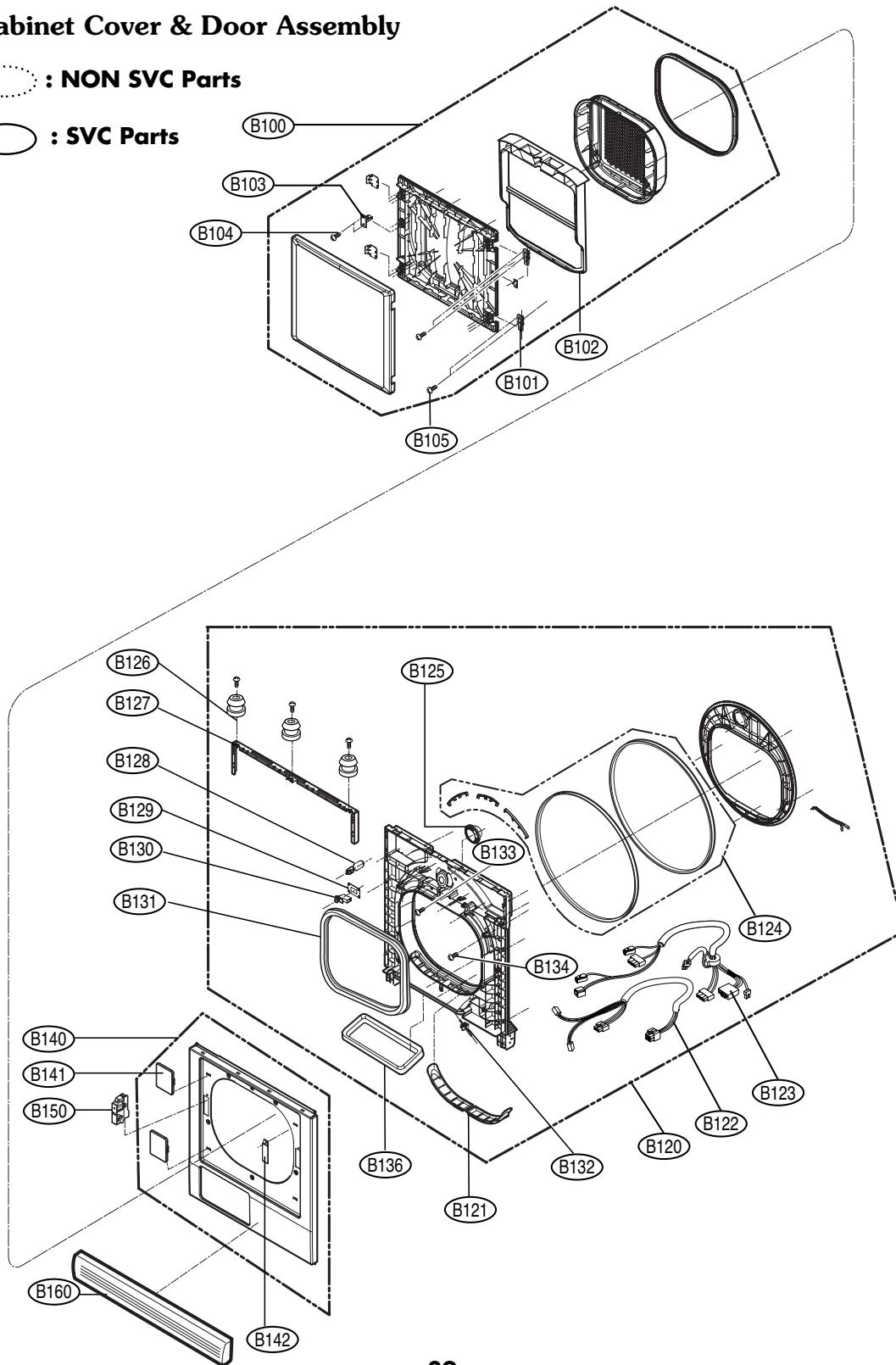
DISASSEMBLY

FRONT CABINET EXPLODED VIEW

● Cabinet Cover & Door Assembly

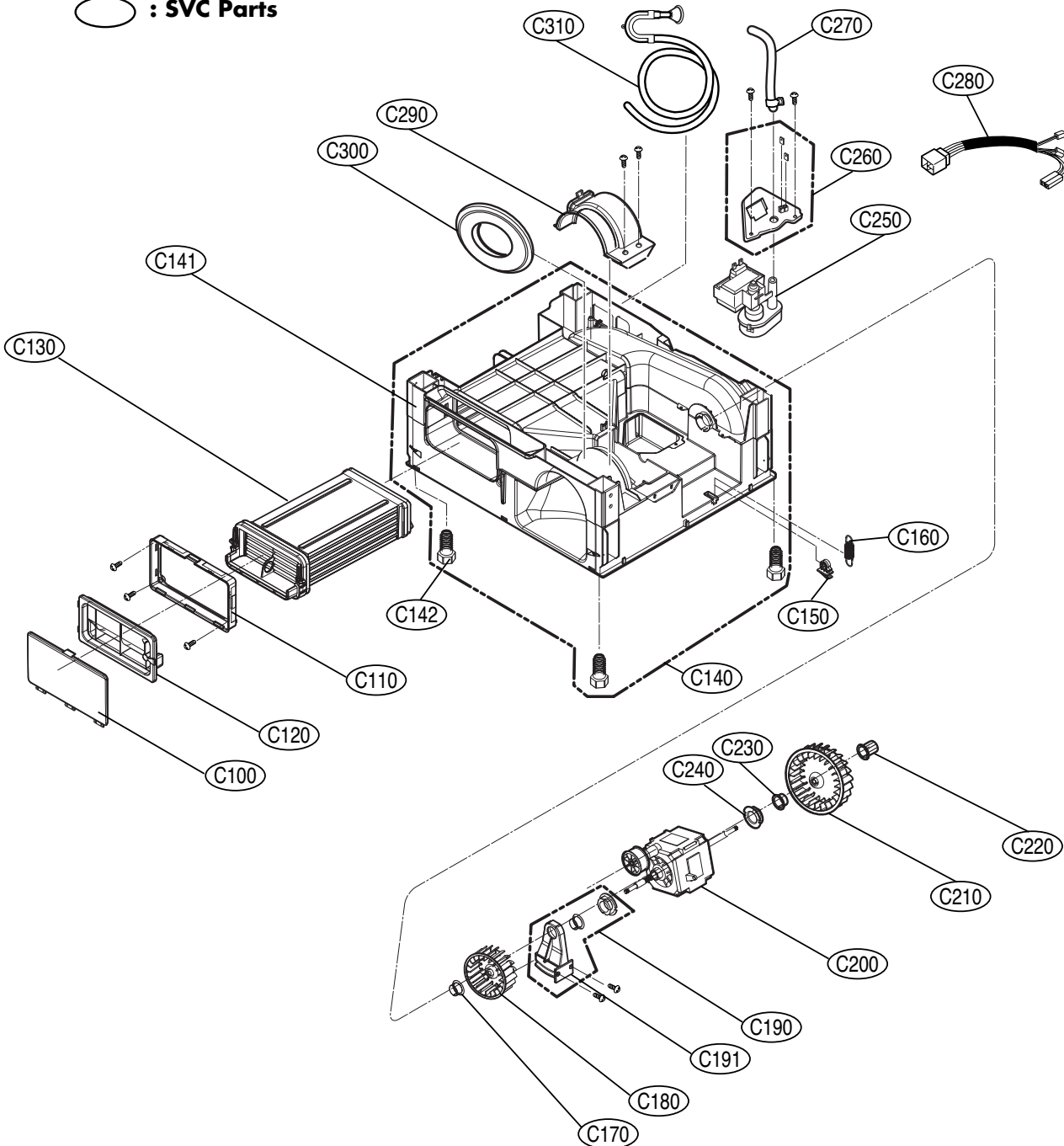
○ : NON SVC Parts

○ : SVC Parts



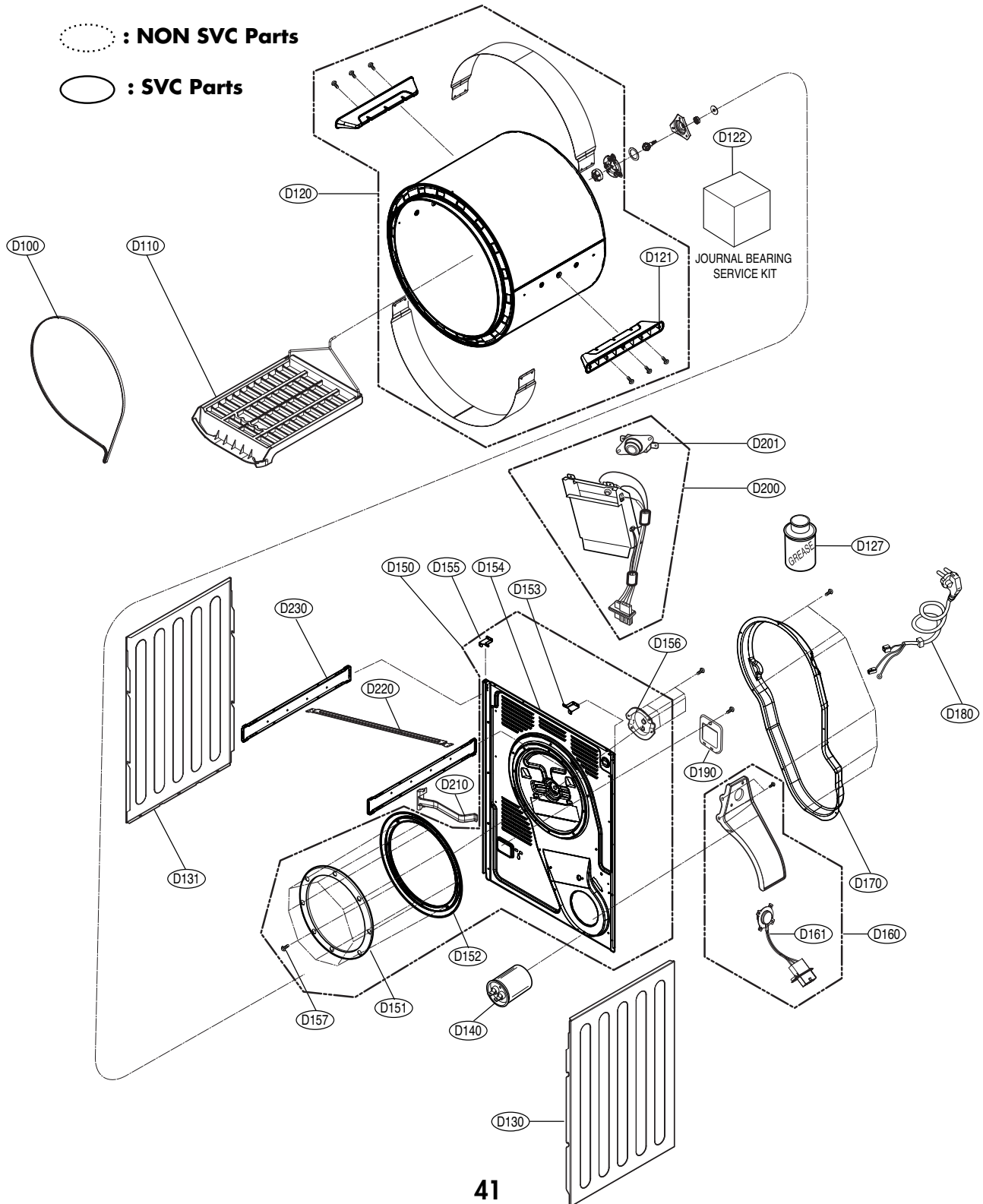
BASE EXPLODED VIEW

○ : NON SVC Parts
○ : SVC Parts



DISASSEMBLY

DRUM EXPLODED VIEW



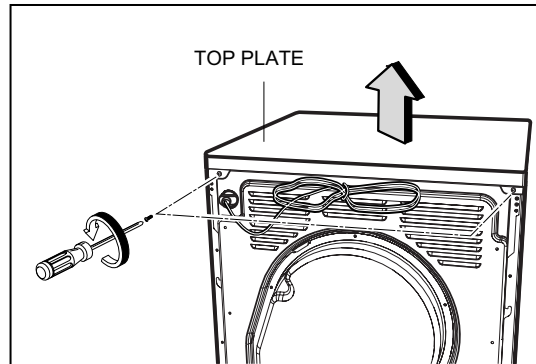
SERVICE PARTS LIST

DLEC733W SBOM					
Loc No.	Part No	Name	Loc No.	Part No	Name
A100	3301ER1001F	Plate Assembly, Top, ABS	B160	3530EL1001A	Grille
A110	6877EL1021A	Draw ing, Assembly	C100	3550EL2006A	Cover, Low er
A111	4924EL1001A	Dispenser, off w hite	C110	3110EL2001A	Case (Molded, Light Gray, Low er)
A111	4925EL1001B	Dispenser Assembly	C120	3551EL2001A	Cover Assembly, Safety
A112	4932EL3001A	Connector, Hose	C130	5403EL1001A	Condenser Assembly
A113	5214EL3001C	Hose, Pump	C140	3041EL1002A	Base Assembly, Cabinet
A114	5214EL3001B	Hose, Pump	C142	4779EA3001B	Leg Assembly
A115	4932EL3002A	Connector, Hose	C150	4930EL3015A	Holder
A120	4871EL1002J	Panel Assembly, Draw er	C160	4970EL3003A	Spring, Coil (16.5Turn Tension)
A130	4940ER3015B	Knob, Rotary, silver	C170	1NZZEL4002B	Nut, Common, 8mm
A140	3721EL1007E	Panel Assembly, Control	C180	5834EL2002A	Impeller, Blow er
A150	6871EL1017B	PCB Assembly, Display	C190	4981EL1001A	Supporter Assembly
A160	6871EL1016B	PCB Assembly, Main	C191	4980EL2004A	Supporter, Motor
A485	6201EC1007B	Filter, AC Line	C200	4681EL1009A	Motor, AC (220V 1A 210W 50/60Hz)
B100	3581EL1002C	Door Assembly	C210	5834EL2001A	Impeller, Blow er
B101	4775EL2001A	Hinge Assembly	C230	4276EL3002A	Slider
B102	3070EL1001C	Frame	C240	4850EL3002A	Damper
B103	4026EL3008A	Locker, Hook	C260	6501EL3003A	Sensor Assembly (230V)
B104	1TCL0403132	Screw, Tapping (2 4/16mm STS)	C270	5215EL3001A	Hose Assembly, Connector
B105	1SZZEL4001A	Screw, Custom (4/22mm STS)	C280	6631EL2001A	Harness, Single
B106	4986EL1002A	Gasket, Door	C290	3551EL2002A	Cover Assembly, Base
B108	5006EL3006A	Cap, Hole (Off White T2.0)	C300	4974EL3004A	Guide, Air
B120	3551EL1001M	Cover Assembly, Front	C310	5001EL2001H	Drain Hose Assembly (Accessory)
B121	3070EL2001A	Frame, Filter	D100	4400EL1001A	Belt, Poly V (Dayco, L1985)
B122	6631EL1004B	Harness, Multi	D120	3045EL1003A	Tub Assembly, Drum
B123	6631EL2003C	Cable & Wire, Unclassified	D121	4432EL1003A	Lifter
B124	383EEL3001A	Parts Assembly (Felt Sponge Slide)	D122	383EEL3003A	Parts Assembly (Bearing Service Kit)
B125	3550EL3005B	Cover, Lamp	D126	1WZZEL3001A	Washer, Flat (Special 7/2mm - STS)
B126	4930ER4001A	Holder (Top Plate)	D130	3090EL1001B	Cabinet, Left Side
B127	3210EL1002A	Frame, Cover (Front)	D131	3090EL1001A	Cabinet, Right Side
B128	6913EL3001A	Lamp, Incandescent (15W 125VAC)	D150	3551EL1003G	Cover Assembly, Rear
B129	4930EL3017A	Holder	D151	4930EL1002A	Ring, Retainer, STS
B130	6601EL3001B	Sw itch, Micro	D152	3921EL1001A	Packing Assembly
B131	4986EL1003A	Gasket	D153	4980EL2005A	Supporter, Top Plate
B132	6323EL2001C	Thermistor, NTC (10Kohm 1%)	D154	3550EL1007F	Cover, Rear
B133	1SZZEL3002C	Screw, Customized (Th 4/22mm)	D155	4980EL2005B	Supporter, Top Plate
B134	1SZZEL3002B	Screw, Customized (Th 4/30mm)	D156	4980EL4001A	Supporter, Holder
B136	4986EL2003A	Gasket	D190	5006EL3010A	Drain Access Cover
B140	3551EL1002A	Cover Assembly, Cabinet	D200	5301EL1002D	Heater Assembly (230V 2350W 50Hz)
B141	5006EL3007A	Cap, Hole	D201	6931EL3001D	Thermostat Assembly (250V 25A)
B142	5006EL3005A	Cap, Cover	D210	4930EL3020A	Holder, Hose
B150	4027EL3001A	Lock Assembly	D230	3210EL1003A	Frame, Top

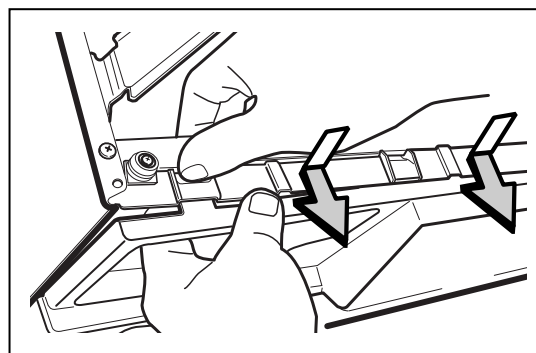
DISASSEMBLY

DISASSEMBLY INSTRUCTIONS

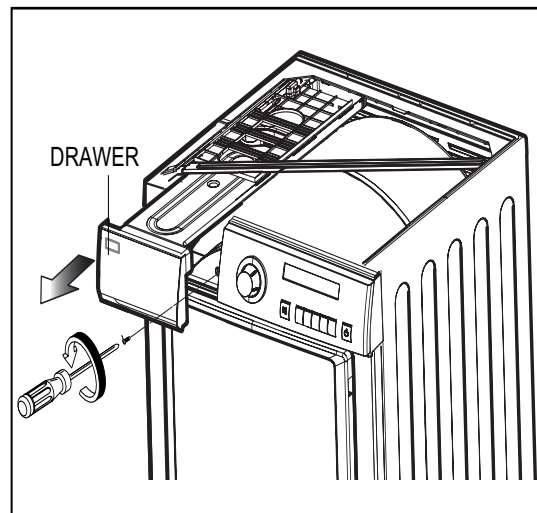
- 1) Disassemble top plate by unscrewing 2 screws on the rear of the dryer.



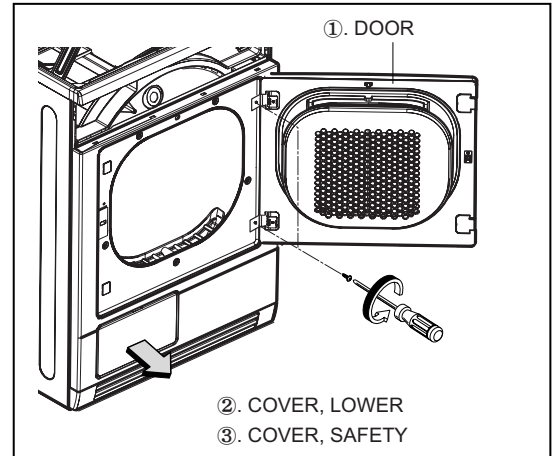
- 2) After pulling drawer assembly out, unscrew 1 screw.



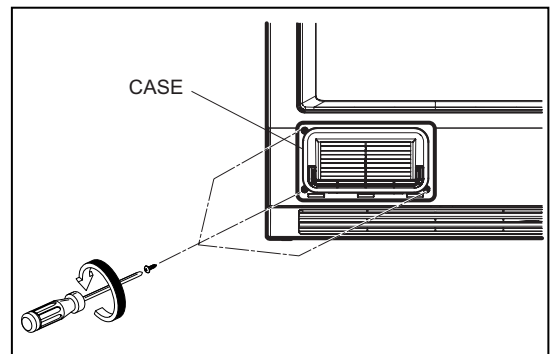
- 3) After releasing 4 hooks of control panel assembly, separate connectors from PWB assembly for disassembling control panel assembly.



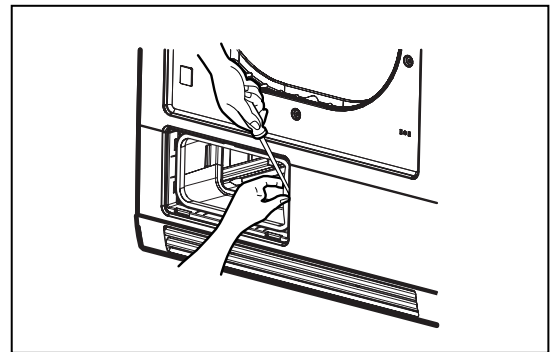
- 4) Disassemble door assembly by unscrewing 2 screws.
- 5) Disassemble lower cover by releasing hook.
- 6) After releasing 2 levers, disassemble safety cover.



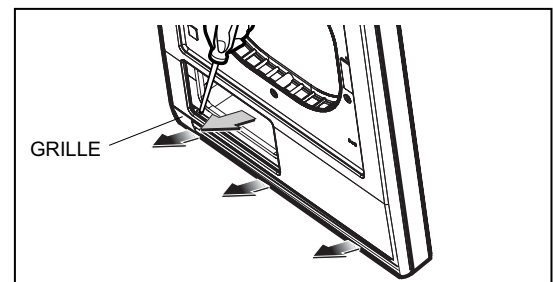
- 7) Disassemble 3 screws.



- 8) Disassemble the case with a Philips driver by releasing hook.

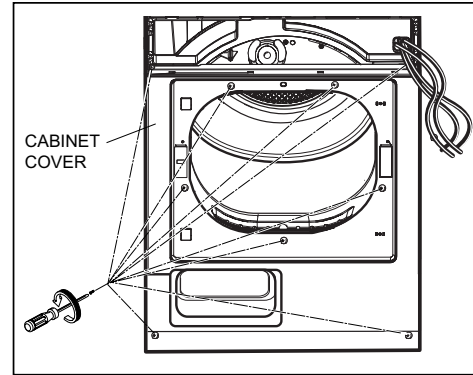


- 9) Disassemble grille by releasing 3 hooks.

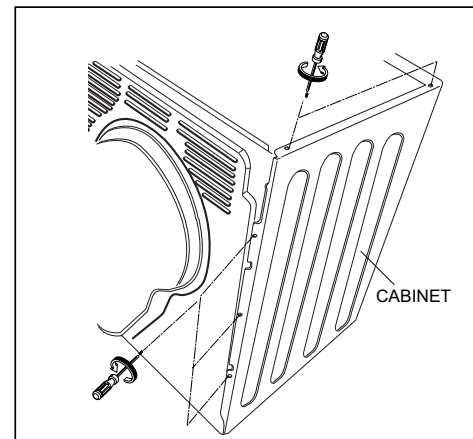


DISASSEMBLY

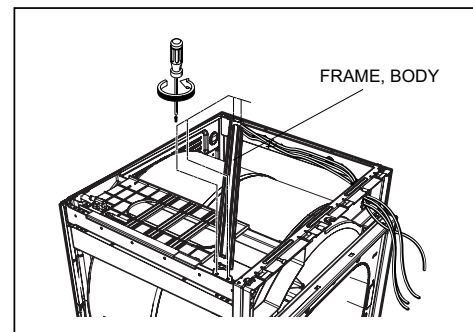
10) Disassemble the cabinet cover by removing 9 screws.



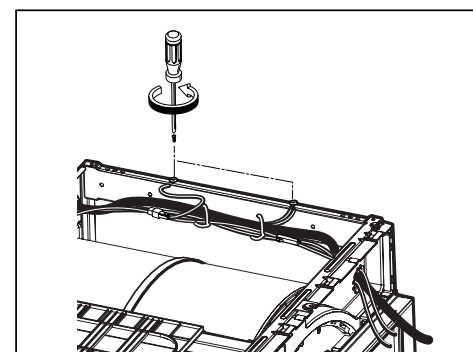
11) Disassemble cabinet by unscrewing 2 at the top and 3 at the rear (left and right are the same).



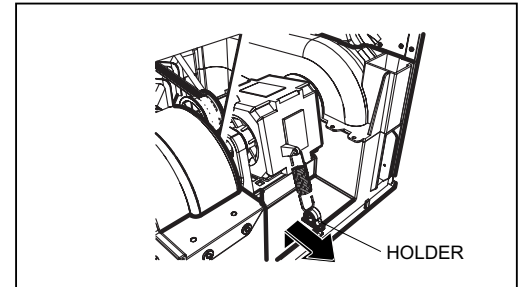
12) Disassemble Body frame by unscrewing 4 screws.



13) Disassemble Harness by unscrewing 2 Earth screws and disassemble connectors.

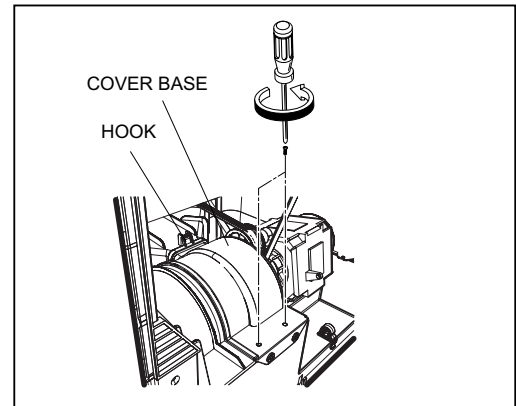


14) Disassemble Holder and Spring by pressing down and pulling the low hook of holder.

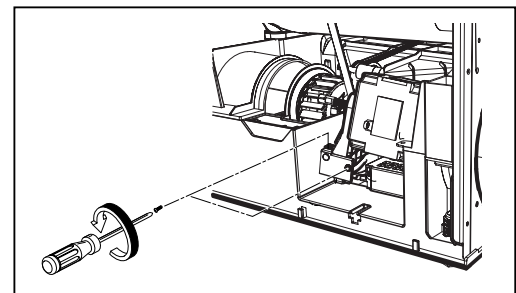


15) Disassemble Blower cover by unscrewing 2 screws.

Note: Make sure that hook is properly fit after assembling Cover Base. Wrong assembly will cause abnormal noise.

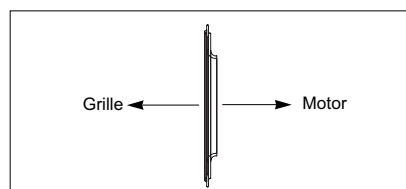
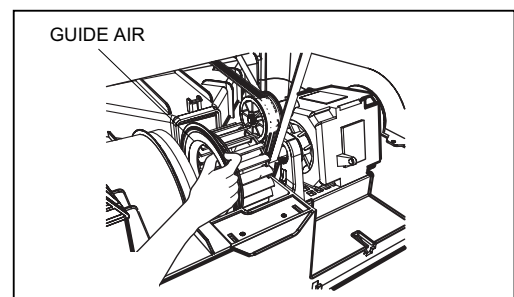


16) Disassemble Motor Supporter from Base by rotating after unscrewing 2 screws.



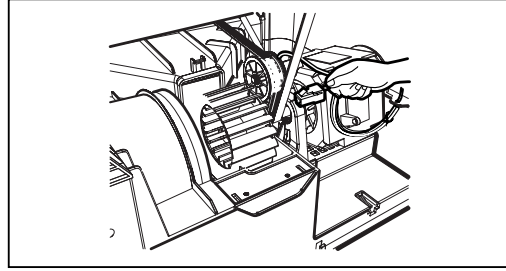
17) Disassemble Air Guide.

Note: Assembly direction of Air Guide should be same as shown. Wrong assembly will cause abnormal noise.



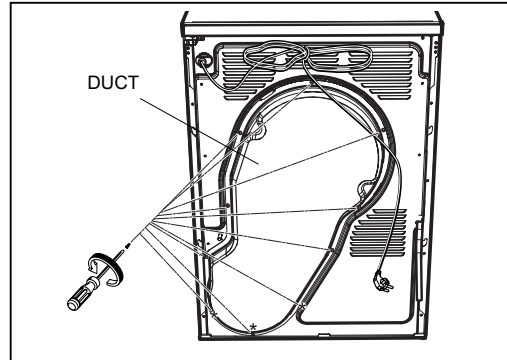
DISASSEMBLY

18) Disassemble Harness of Motor.

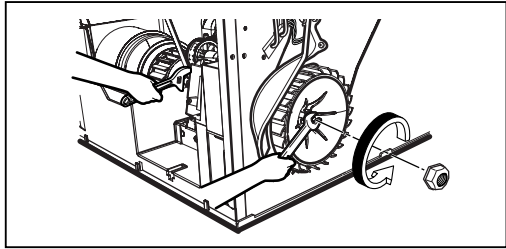


19) Disassemble Duct by unscrewing.

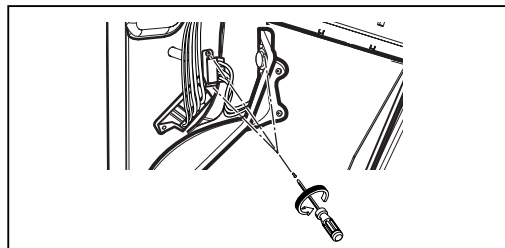
Note: marked 3 screws on the lower position of Duct are only used for molding parts. Be careful of not using them for other holes. Otherwise, the holes will be exposed to water leak.



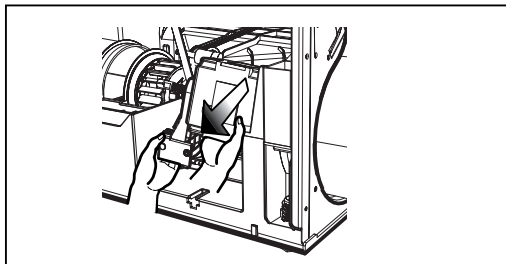
20) Disassemble Nut by grasping the edge of left motor shaft at the same time.



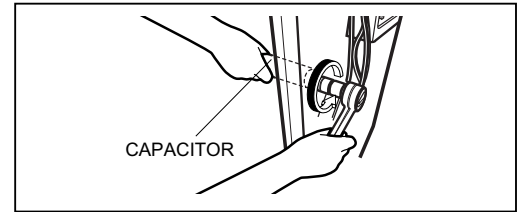
21) Disassemble moisture Sensor by detaching Inner Connector harness and unscrewing 3 screws.



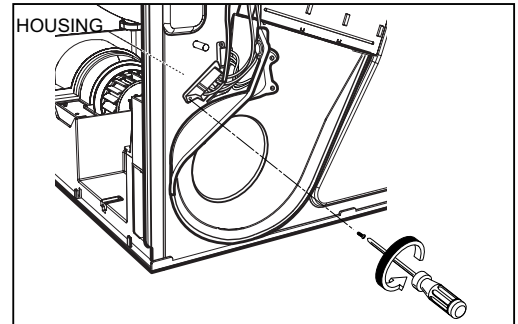
22) Disassemble Motor.



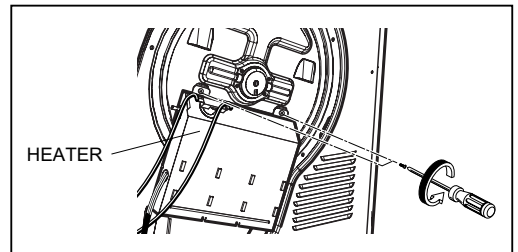
23) Disassemble Capacitor by unscrewing Nut.



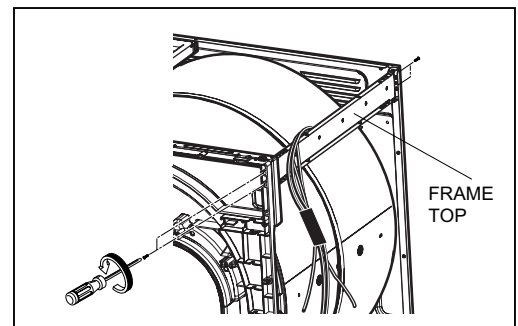
24) Disassemble Heater Housing by detaching inner Connector harness and unscrewing.



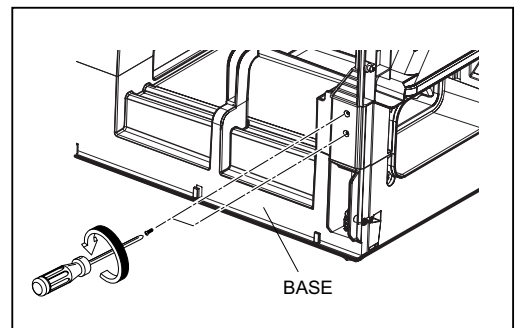
25) Disassemble Heater by unscrewing 2.



26) Disassemble Frame Top by unscrewing 4 screws.
(Left and right are same)

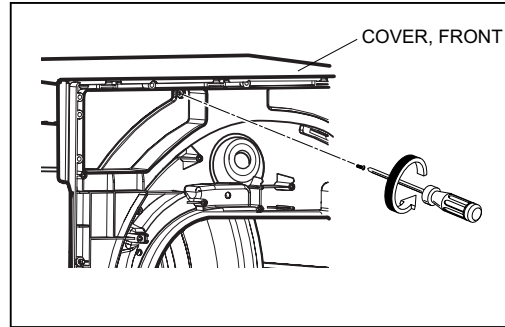


27) Unscrew 4 screws at the left and right.

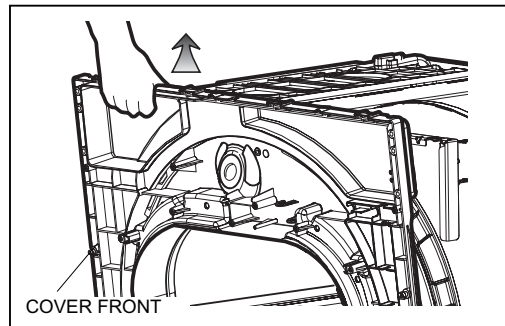


DISASSEMBLY

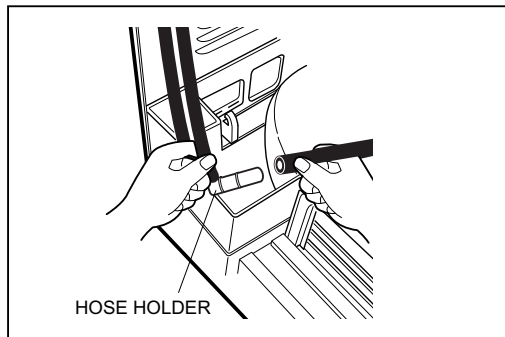
28) Unscrew 1 screw at the front.



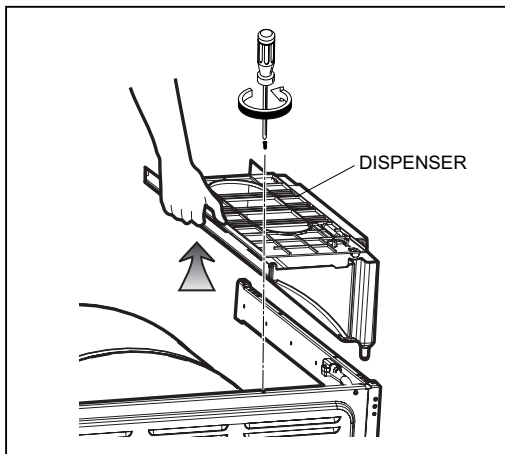
29) Disassemble Cover Front by pulling the top area out.



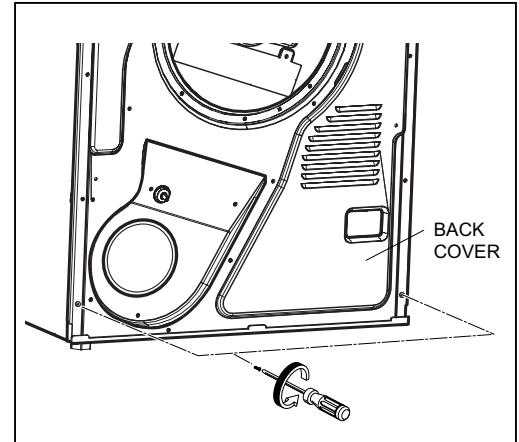
30) Disassemble Hose from hose holder at the base.



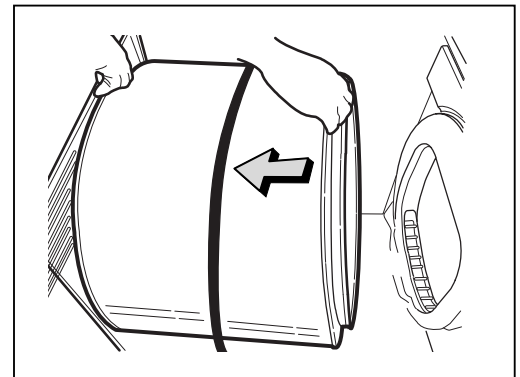
31) Disassemble Dispenser by unscrewing.



32) Disassemble Back cover from the Base by unscrewing 2 screws.



33) Disassemble Drum.



34) Disassemble Drain Pump by unscrewing 2 screws.

