



T700-SERIES DRYERS SERVICE MANUAL

CONTENTS

Introduction and Safety Regulations.....	2
The Drying Process	3
Installation	4
Dryer Features.....	11
Overheat Protection	12
Fault Tracing.....	13
Common Problems.....	14
Components and Measurement Values ..	15
Test Program and Error Messages.....	18
Consumption Values.....	19
Tools and Applications Areas.....	21
Service Information.....	23
Appendix A.....	62
Index	63

INTRODUCTION AND SAFETY REGULATIONS

You have in your hand the ASKO Service Manual for the new generation of dryers that are friendly to the environment in both their manufacture and use.

This new generation of dryers has been designed for ease of servicing. By this we mean that it's a simple job, for example, to replace a damaged side panel. That's why we've changed the design from a one-piece casing to a split casing.

To secure parts and wiring, we have replaced many of the screws by plastic snap fasteners, and certain parts have integrated ribbon cabling, all for simplifying service.

We have also integrated service aids, such as hooks to hang parts on, so that you can use both hands for installation.

THE DIFFERENT MODELS

The table below shows the Model numbers and the correlating model type:

<u>Model</u>	<u>Type</u>
T700	TD 11 (Mechanical vented)
T720	TD 22 (Mechanical condensing)
T760	TD 33 (Electronic vented)
T780	TD 44 (Electronic condensing)

T700 is a thermostatically-controlled dryer with air extraction. T720 is a timer-controlled dryer with a condenser.

T760 is a sensor-controlled electronic dryer with air extraction. T780 is a sensor-controlled electronic dryer with a condenser.

The T760 and T780 have a humidity sensor that can tell when the clothes are dry. On these models you can choose from eleven languages for the LED display.

We hope that this Service Manual will be a positive tool in your daily work. If you have any questions concerning servicing ASKO products, contact the **ASKO Advisory Center** at:

1161 Executive Drive West
Richardson, Texas 75081
972-238-0846

GENERAL

The electrical and plumbing installations should be carried out by a qualified electrician and plumber. Be sure to follow all Federal, State, County and local codes.

WARNING

Always switch off the main electrical power supply when dismantling and assembling the dryer.

WARNING

Always use a grounded EMC wristband when working with electrical components, such as printed circuit boards and electronic control units.

T720 AND T780: TRANSPORT/WINTER STORAGE

If the dryer is to be transported or stored for the winter in unheated premises, make sure the condensation water tank is empty.

DISPOSAL

The dryer is manufactured and labelled for recycling. Contact your local refuse authority to find out how the dryer should be scrapped and recycled properly. This number is normally found in the "City of" numbers provided in your telephone book.

WARNING

To prevent children from being accidentally locked in the drum, the door(s) must be removed when discarding the dryer.

THE DRYING PROCESS

T700 AND T760 – VENTED DRYERS

These models are vented dryers; therefore, they required outside venting for a proper installation.

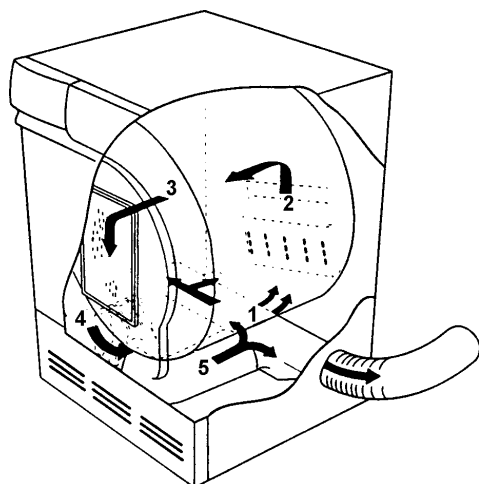
Room temperature air is heated by the heating element and drawn into the drum, where it extracts the dampness from the clothes. The paddles in the drum prevent the clothes from sticking to each other.

Air passes through the lint filter in the front door, through the exhaust system and out the exhaust vent.

On Model T700, on the way through the air extraction system, the air passes over the thermostats. The thermostats measure the exhaust temperature as it leaves the dryer. When using the automatic program, the thermostats indicate when the clothes are dry.

On Model T760, on the way through the air extraction system, the air passes a humidity sensor. The sensor measures the amount of humidity in the clothes. If you are using an automatic program, the sensor indicates when the clothes are dry.

T700 and T760 Air Circulation

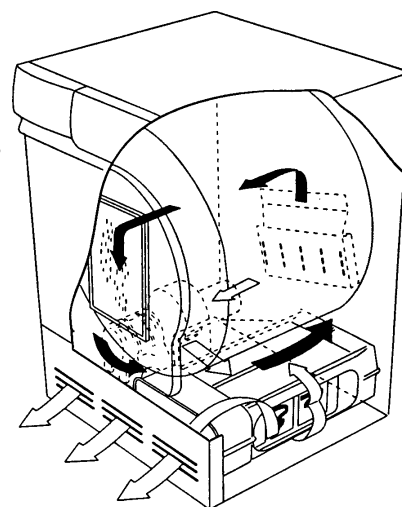


1. Room temperature air
2. Air that has been heated.
3. Moist air going through the lint filter
4. Air passing the thermostats
5. Air going out the exhaust

T720 AND T780 – CONDENSING DRYERS

These models are non-vented, condensing dryers that are used in areas where venting is not possible. Condenser dryers have two circulation systems: one for drying air and one for cooling air. In the following illustration, the black arrows show the warm drying air, and the white arrows the cooling air at room temperature.

T720 and T780 Air Circulation



The black arrows show the warm drying air. The white arrows show the cooling air at room temperature.

Model T720 is a timed dryer only. The user sets the amount of time for the dryer to run.

The drum paddles prevent the clothes from sticking to each other. On the way through the air extraction system, the air passes a humidity sensor.

Model T780 has a sensor that measures the amount of humidity in the clothes. If you are using an automatic program, the sensor indicates when the clothes are dry.

DRYING AIR

Room temperature air is heated by the heating element and passes through the drum, where it blows through the clothes and extracts the dampness from them.

The air is filtered through the lint filter in the front door, goes down to the fan and onwards to the condenser unit.

On its way through the condenser the saturated air releases its water content. The extracted water falls into a holder, from which it is either pumped up to a water tank or taken out via a drain hose to a floor drain or similar.

COOLING AIR

The condenser is cooled by air at room temperature, drawn in through the rear of the machine. The air is blown through the condenser and exhausts through a grill in the bottom hatch. If the machine is built into a cabinet, the air is drawn through the gap between the floor and the bottom of the machine.

INSTALLATION

Read these instructions carefully and completely before you install the machine. The installation should be carried out by a qualified service technician who is familiar with all local codes and ordinances for electrical and plumbing connections.

NOTE:

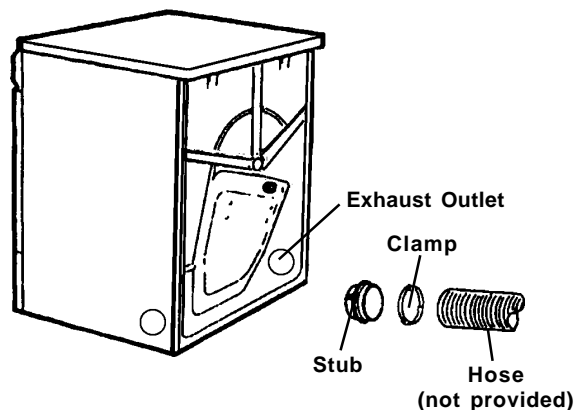
Cosmetic damage must be reported to the dealer within five days from the date of purchase. After unpacking the dryer, thoroughly check the unit for cosmetic damage.

SPECIFICATIONS

Height	33-1/2"–34-1/2 (850–876 mm)
Width	23-7/16" (595 mm) Plus exhaust hose connection
Depth	T760/T780: 23-7/16" (595 mm) T700/T720: 24-7/16" (620 mm)
Depth w/door open	All Models: 46-1/16"
Weight	T700/T760: 86 lbs (39 kg) T720/T780: 103 lbs (47 kg)
Drum material	Stainless Steel
Outer casing	Stove-enamelled hot-dipped galvanized steel with powder coat paint or Stainless Steel on T760 and T780
Power requirement	2800 watts
Electrical connection	Stand-alone: single-phase, 208–240 V, 15 Amp ASKO washer connected to ASKO dryer: single-phase, 208–240 V, 30 Amp
Internal fuses (2)	15 amp.
Heating element	2500 watts
Speed	52 rpm
Drain (T720/780)	7' 6-3/4" rubber hose
Vent hose (not provided)	Must be UL, CSA, or cUL approved.

AIR EXHAUST CONNECTION (T700/T760)

The exhaust hose can be connected at the rear or on either side of the dryer. When the machine is delivered, the exhaust outlet at the rear is open. The exhaust air hose should be routed the shortest possible way and as straight as possible from the dryer to the formal vent section. This will ensure proper, more efficient drying.



The dryer is shipped with a stub pipe already installed on the rear exhaust outlet. The consumer or installer must purchase a UL-CSA-approved exhaust hose.

The length of the vent for dryers can vary. The general use is 22 feet of 4-inch ridged vent hose in a straight run. Subtract 4 feet for every 90° elbow, including any elbow at the dryer.

WARNING

To reduce the risk of fire, vented dryers must be exhausted *outdoors* or the equivalent.

Exhaust Hose Connection

To connect the exhaust hose to the rear outlet, follow the steps below:

1. Push the vent hose onto the stub pipe and secure it with a clamp.
2. With the hose attached, insert the stub pipe into the hole. It should snap into place.
3. After you push the dryer into place, check for kinks in the hose. (Be careful not to use too much hose.)

WARNING

Never cover the end of the dryer stub or vent hose with anything to catch lint, except for a UL-approved vent basket.

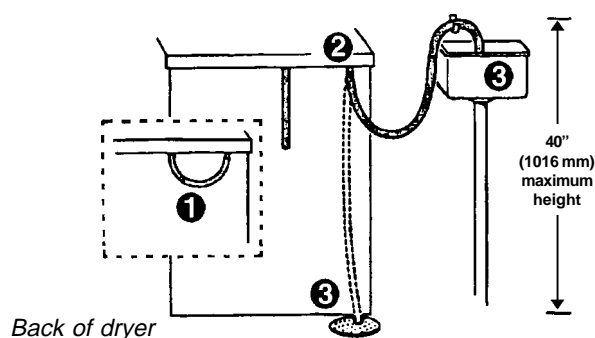
CONDENSATION DRAIN CONNECTION (T720/T780)

If possible, you should install the dryer so the condensed water will continuously flow into a drain or sink. To do this, follow the instructions below:

1. Disconnect the short hose (1) from the blue nipple. (It's okay to let the hose hang down.)
2. Connect the rubber hose supplied with the dryer to the blue nipple (2).
3. Run the hose to a drain or sink, as illustrated. Try to keep the hose as straight as possible.

NOTE

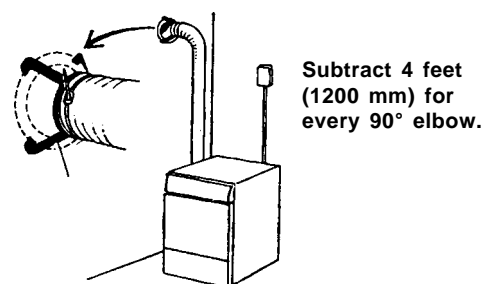
The drain hose must not be more than 40" (1016 mm) above the floor.



CONNECTION TO A VENTILATION DUCT (T700/T760)

1. Connect the exhaust hose to a ventilation exhaust fitting or to a discharge through the wall.
2. Secure the hose joint to the outlet stub on the machine.
3. Run the hose with as few bends and loops as possible to the point of discharge. If necessary, it can be extended to a maximum of 22 feet (6600 mm) of 4" (100 mm) diameter ridged hose.

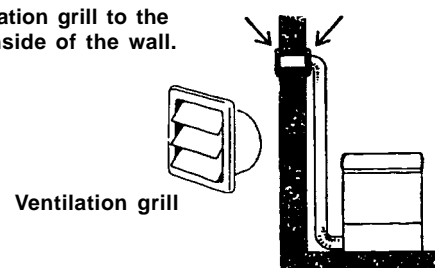
Make any bends as gentle as possible. A maximum of four 90° bends may be fitted in the hose. The more bends and the longer the hose, the less air will circulate through the machine, which will impede drying performance. Subtract 4 feet (1200 mm) for every 90° elbow.



If more than 22 feet of hose is needed, the diameter must be increased to 6" or 8" (152 mm or 203 mm).

If the hose is taken to a wall outlet, a ventilation grill should be fitted to prevent reverse flow of cold air.

Fit the ventilation grill to the outside or inside of the wall.



Make sure nothing is blocking the ventilation grill.

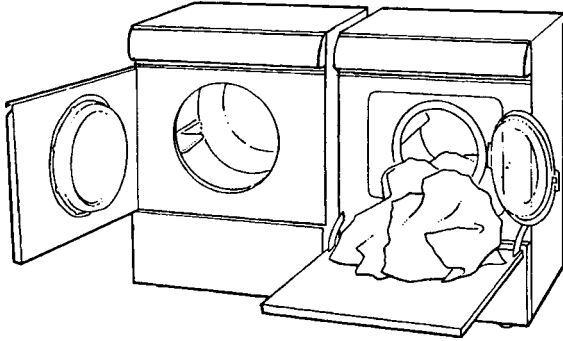
WARNING!

This appliance should never be exhausted into a chimney, a wall, a ceiling, or a concealed space of a building. Only a metal ventilation grill should be used.

INSTALLATION

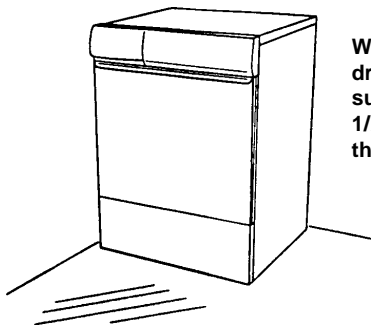
FREESTANDING INSTALLATION

The dryer can be placed next to the washing machine. There should be at least 1/2" (12.5 mm) of space between the washer and dryer.



It is essential that the machine is level and the locknuts are tight to eliminate vibration.

When installing the dryer next to a wall, be sure to leave at least 1/2" (12.5 mm) of space between the unit and the wall. This allows for door swing of dryer. Never push the washer flush against the wall because it may damage the machine casing or the wall.



When installing the dryer next to a wall, be sure to leave at least 1/2" of space between the unit and the wall.

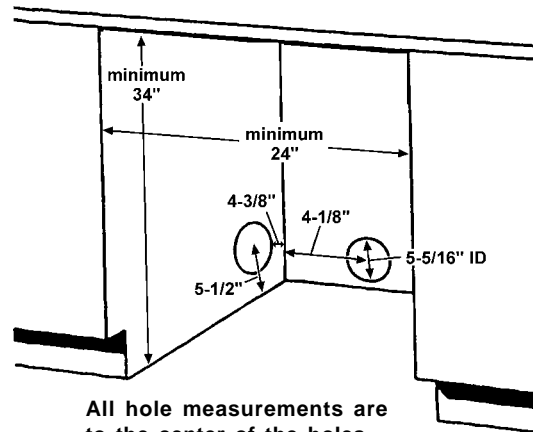
BUILT-IN INSTALLATION (T700/T760)

Models T700 and T760 can be installed beneath a cabinet or worktop with a minimum height of 34" (864 mm). There must be a gap of about 1/4" (.64 mm) all around the machine, including between the rear edge of the machine top panel and the back wall. The opening width must be at least 24" (610 mm).

Space must also be available for the exhaust hose on the left, right or rear of the machine. See the diagram for hole sizes and positions. Note that the hole measurements are to the center of the hole.

NOTE

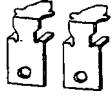
Do not raise the dryer higher than 34-1/2".



All hole measurements are to the center of the holes.

STACKED INSTALLATION

ASKO dryers can be mounted on top of any matching ASKO washer. Mounts are supplied with the machine.



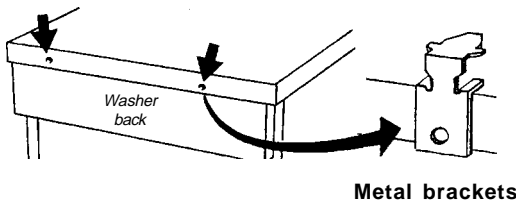
Two metal brackets for securing the dryer to the washer



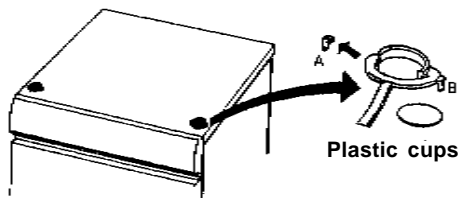
Two plastic cups to secure the dryer legs.

To install the dryer on top of the washer, follow the steps below:

1. Remove the two outside screws (20 torx) from the back of the washer that holds the top in position and use them to secure the metal brackets, as illustrated.

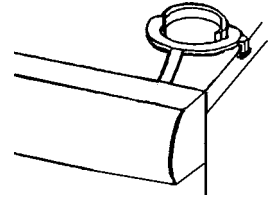


2. To ensure the dryer is correctly positioned on top of the washer, align the plastic cups with the front top edge of the washer.



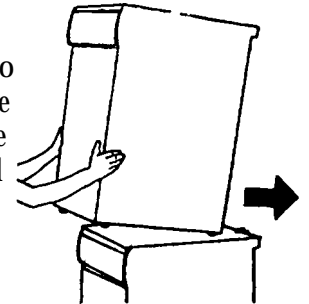
To position the plastic cups, break off the left tab (A) on the cup to be placed on the right side of the washer and break off the right tab (B) on the cup to be placed on the left side of the washer. Put the cup in place before removing the protective paper to get a general area where the cups will be placed.

3. Remove the protective paper from the self-adhesive surface beneath the cups. Being careful not to press the adhesive surface against the top of the washing machine, use the tabs to position the cups (as illustrated) then press them firmly into place.

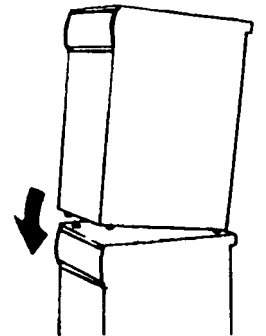


4. Once the cups are in place, break off the remaining plastic tabs.

5. Lift the dryer into position. Raising the front edge, push the dryer backwards until it engages with the brackets on the back of the washer.



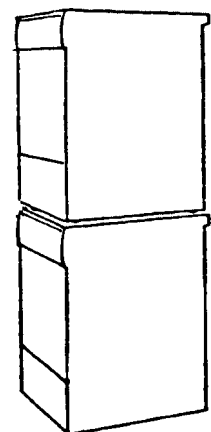
6. Carefully lower the front of the dryer, making sure the feet fit into the plastic cups.



Stacked Installation

Tumble dryer

Washer



Total height 67".
Adjustable to 69".

WARNING!

Never stack a washer on top of a dryer!

INSTALLATION

ELECTRICAL CONNECTIONS

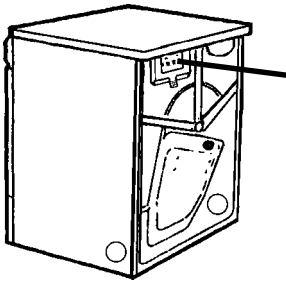
The power supply cord must be grounded. If the machine is to be used in a wet area, the supply must be protected by a residual current device.

Connection to a permanently wired supply point must be made only by a qualified electrician.

As supplied: Single-phase, 208–240 V, 60 Hz,
2800 Watt total rating
2500 Watt heater rating

NOTE:

In Canada, the dryer is delivered ready-fitted with a four-prong plug intended for connection to a single-phase supply.



Remove cover to access terminal box.
(Requires a 20-Torx screwdriver.)

WARNING:

The receptacle on the rear of the machine is designed to accommodate ASKO washers *ONLY* (rated 208–240 V.) To use this receptacle, you must use the ready-fitted plug supplied with the washing machine or an equivalent. The supply connection must be 208–240 V, 20 A.

ASKO washers rated 208–240 V have two internal fuses of 15 A each.

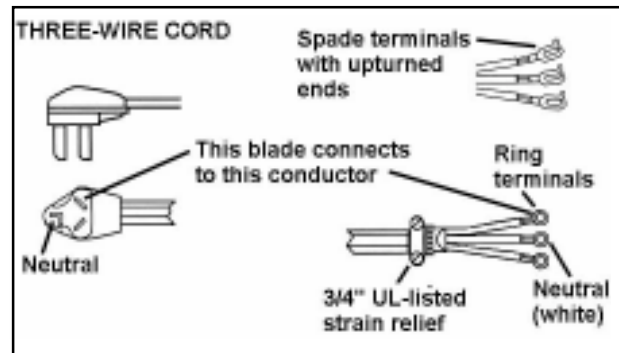
Connecting a Three-wire Power Cord

WARNING!

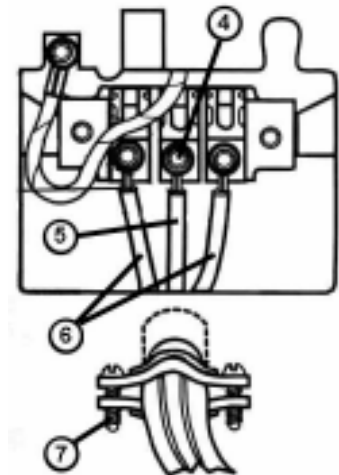
Before starting this procedure, be sure the power is turned off at the breaker/fuse box.

Power Supply Cord

You will need a three-wire power supply cord with three No. 10 copper wires and a matching three-wire receptacle of NEMA Type 10-30R, as illustrated below:



1. Turn the power off at the breaker/fuse box.
2. Remove terminal block cover (20 torx).
3. Assemble 3/4" UL-listed strain relief into the hole below the terminal block opening.



4. Loosen or remove center terminal block screw.
5. Connect neutral wire (white) of power supply cord to the center, silver-colored terminal screw. Tighten screw.
6. Connect the other wires to outer screws.
7. Tighten the strain relief screws.
8. Replace terminal box cover on back of dryer.
9. Plug dryer into wall receptacle.
10. Turn power on at breaker/fuse box.
11. Turn on the main power switch on the dryer. (The power indicator light should come on.)

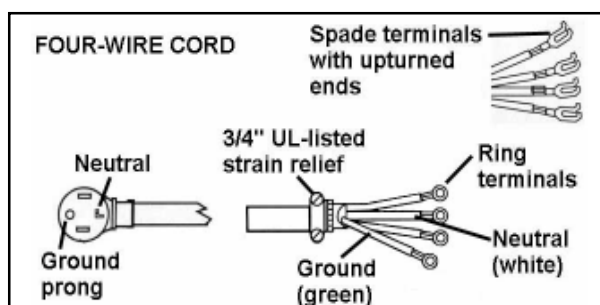
Connecting a Four-wire Power Cord

WARNING!

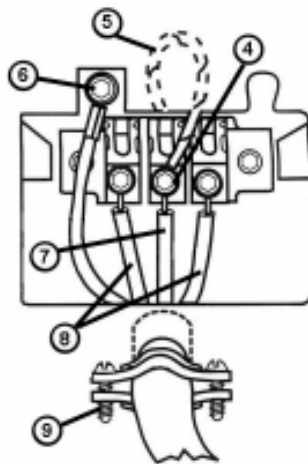
Before starting this procedure, be sure the power is turned off at the breaker/fuse box.

Power Supply Cord

You will need a four-wire power supply cord with four No. 10 copper wires and a matching four-wire receptacle of NEMA Type 14-30R, as illustrated below. The fourth wire must be identified with a green cover and the neutral conductor by a white cover.



1. Turn the power off at the breaker/fuse box.
2. Remove terminal block cover.
3. Assemble 3/4" UL-listed strain relief into the hole below the terminal block opening.
4. Remove center terminal block screw.
5. Remove ground wire (green with yellow stripes) from external ground connector screw. Fasten under center, silver-colored terminal block screw.
6. Connect ground wire (green) of cord to external ground conductor screw.
7. Connect neutral wire (white) of cord under center screw of terminal block.
8. Connect the other wires to outer screws.
9. Tighten the strain relief screws.



10. Replace terminal box cover on back of dryer.
11. Plug dryer into wall receptacle.
12. Turn power on at breaker/fuse box.
13. Turn on the main power switch on the dryer. (The power indicator light should come on.)

INSTALLATION

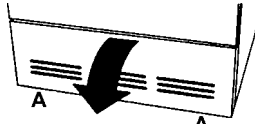
REVERSING THE DOOR HINGES

The door hinges on ASKO dryers are reversible. The dryers are shipped left-hinged. To reverse them, follow the steps below:

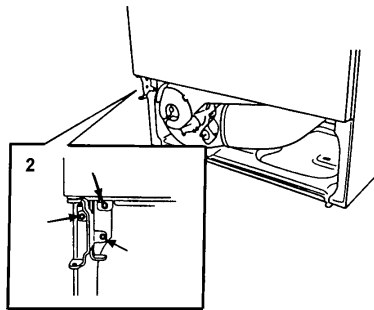
WARNING!

Switch off the main power supply before you start this procedure.

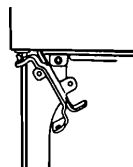
1. Remove the lower cover by first removing the two screws (A) at the bottom of the machine. Next, grasp the sides and pull it forward and down.



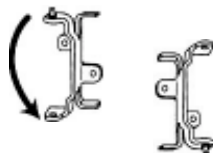
2. Remove the three screws holding the hinge.



3. Pull the door out and to the left as you turn the hinge counter clockwise.



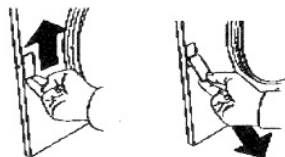
4. Remove the top hinge pin then turn the hinge upside down and put the hinge pin into the top hole.



5. Repeat steps 1–4 for the bottom hinge.

6. Loosen the two screws on both sides of the door so you can remove the magnetic door latch and the cover plate.

7. Remove the door latch by pushing it up then lifting it out from the bottom.



8. Remove the cover plate by pushing it down then lifting it out from the top.



9. Reverse steps 6 and 7 to place the door latch and cover plate into their new positions.

10. Tighten the screws on the sides of the doors to hold the latch and cover plate in place.

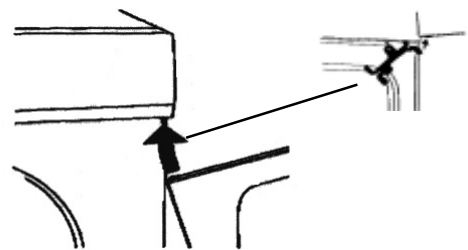
11. Using a flathead screwdriver, remove the plastic plugs in the upper and lower edge of the door and place them in the empty holes on the opposite side.



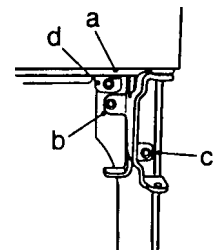
12. Remove the screw in the top right corner of the lower cover, as indicated in the illustration. (If you have a condenser dryer, you will need to open the condenser container door.)



13. Now you are ready to mount the door on the right side. Holding the door at an angle (as illustrated), fit the hinge pin into the top hole.



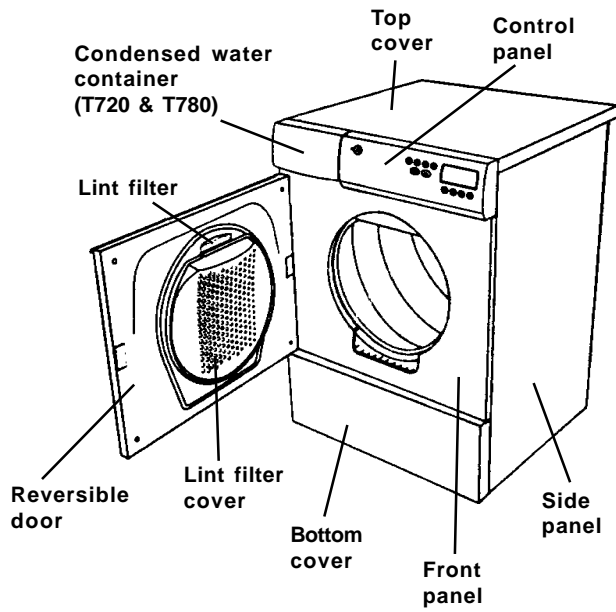
14. Tighten the screws in the order illustrated at right (a, b, c).



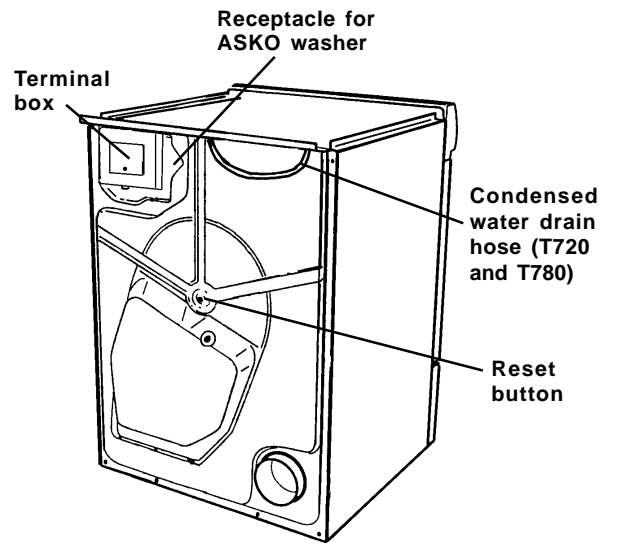
15. Replace the screw you removed in step 12 (d).

16. Replace the lower cover (see Step 1 on this page).

FRONT VIEW



REAR VIEW



NOTE: Canadian dryers are equipped with an electrical cord.

OVERHEAT PROTECTION

OVERHEAT PROTECTION

ASKO dryers are designed with an overheat protection switch that automatically turns off the machine if the temperature is too high. This could happen if the lint filter or exhaust hose becomes clogged with dust.

Should the machine turn itself off because of overheating, first make sure the following parts are clean and free of lint and dirt:

- lint filter and filter cover
- exhaust hose, exhaust vent and hose
- fan housing and fan

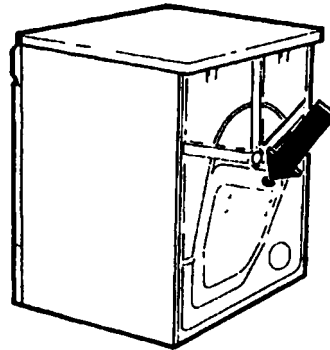
If none of these are the problem, check the following:

- Check both 15 Amp fuses on the back of the dryer
- Be sure the switch actuator is making contact with the Start switch.
- On models T760 and T780 make sure a program (P1–P4) has been chosen.
- Check for a control unit fault
- Check for a heating element fault

NOTE:

If the dryer overheats frequently, it may not be vented properly or the room in which it is located may not have sufficient air circulation.

If the overheat protection switch is activated, you have to reset it before the machine will run. To do this, press the reset button (rubber disk) on the back of the machine, as illustrated to the right. You should hear a click when it engages. The machine will not start until it has cooled sufficiently.



Press the reset button to start the machine. You should hear a click when the reset button is depressed.

The machine won't start.

1. Make sure the power is turned on. (The indicator light should glow red.)
2. Check that you set the program or time correctly.
3. Make sure the door is closed securely.
4. On Models T720/T780, make sure the condenser tank is empty.
5. Check that the electric plug is securely in the socket.
6. Check the house breaker/fuses.
7. If all of the above options are eliminated, the overheat protection has probably been activated. (See page 12.)

The machine starts but it stops when I release the Start button.

1. The overheat protection has probably tripped. Clean the lint filter and let the machine cool down before trying again. (See page 12.)

The machine takes too long to dry.

1. Make sure the dryer is installed according to the instructions on pages 4–10.
2. Check that the lint filter is clean.
3. If dryer sheets are being used (not recommended), the lint filter may need to be washed with warm water and a soft brush to clean any blocked holes.
4. The dryer may be overloaded, not allowing sufficient room for the warm air to circulate properly or the clothes to tumble freely.
5. The laundry should only be damp when it comes out of the washer. If it seems too wet, it should be spun in the washer at a faster or longer spin cycle.
6. Make sure the outside vent exhaust is not blocked.
7. On models T720/T780, make sure the condenser is not blocked with dust or lint.

The clothes are coming out wrinkled.

1. The clothes should be removed as soon as the dryer signals the end of the cycle. If it isn't possible to remove the clothes right away, use the Anti-crease option.
2. Heavy fabrics and light fabrics should be dried separately.
3. Dry only permanent press items together.

4. Dry in smaller loads.
5. Use slower spin speeds.
6. Use fabric softener in the rinse program.
7. Try using a lower wash temperature, especially for permanent press and delicate items.
8. Make sure the customer is using the correct temperature for the type(s) of fabric being dried.

The motor is running but the drum isn't turning.

1. The drive belt could be broken.
2. The drive belt may be dislodged from the motor pulley.
3. The drive belt may be off the idler pulley.
4. Be sure nothing is preventing the drum from turning.

The machine makes a funny noise.

1. A slight rumbling may be heard when you first turn on the dryer. This is normal and it should only last a few seconds.
2. Make sure the customer wasn't drying tennis shoes or something heavy when the noise was heard.
3. Snaps, zippers and buttons can hit the side of the drum and cause some noise.

ERROR MESSAGES

On Models T760 and T780, the LED window displays an error message if a fault occurs during the time the program is running. These error messages are listed on page 18.

COMMON PROBLEMS

The washing will not dry.

The machine only runs for 20 minutes.

1. Check the main power fuse.
2. Make sure the dryer wasn't overheated due to lint blocking the filter, condenser unit or fan housing.
3. Model T780: Overfilling. (The display shows "Fault indication, filling.")
4. Possibly, the machine did not reach the measured value of 1.8 mV within 15 minutes. This could be due to:
 - a. Incorrect connection to single phase – too low heating element power (720 or 600 W)
 - b. Incorrect connection of element to control unit
 - c. Incorrect connection in element terminal block
 - d. Humidity sensor not located in fan housing
 - e. Faulty humidity sensor
 - f. Heating element open circuit
5. Check the drive belt for the following:
 - a. Improperly located on the motor pulley.
 - b. Improperly located on idler pulley.
 - c. Twisted.

Overheat protection tripped even though lint filter and condenser unit have been cleaned.

1. Check for lint in the internal fan wheel.
2. Clean the air ducts and behind the element.
3. Check for a fault in the control unit

Overfilling fault indication, even though tank is empty.

Condenser water pump could be blocked or burned out. If the pump is burned out, an associated fault will be burned wiring in the control unit. Always check first if the condenser water pump has burned out before installing a new control unit.

The machine shows the maximum program time fault indication.

This indicates that the machine has been running for the maximum time that the control unit is allowed (> 3 hours) .

Several things could cause this. (It could be one of these items or a combination.)

1. Check the main power fuse.
2. Make sure the dryer wasn't overheated due to lint blocking the filter, condenser unit or fan housing.
3. Make sure the dryer isn't incorrectly connected to a single phase, 15A.
4. Check that the external air isn't restricted or blocked, resulting in poor condensation.
5. A high ambient temperature + low heating element power + low drying temperature could result in poor condensation.
6. A low ambient temperature + low heating element power + low drying temperature makes it difficult to get the dampness out of the clothes.
7. It's possible the washing was spun dry at low speed (i.e., less than 800 rpm), which would make it difficult to dry the washing.
8. The washing possibly was taken out before the program was complete and the machine was loaded with a new batch of washing. In this case, the control unit probably would not have time to reset itself and the remaining program time was added to the next drying cycle.
9. Check the humidity sensor, its wiring and connections.

MOTOR (2/118/JU) 50 HZ

Part number: 80 618 24
 Main winding: 23,8 Ω
 Auxiliary-winding: 28,1 Ω
 Voltage: 220/240 V
 Current: 1,1 A, 270 W, 2850 rpm

The two-pole motor is connected directly to the fan for internal air and via a gear to drive the drum. On machines with condensers (T720/780) it also drives the fan for external air.

CAPACITOR

Part number: 80 542 68
 The capacitor is located on the motor and has a value of 8µF.

CONDENSED WATER PUMP (T720/T780)

Hanning 25W
Part number: 80 638 09
 Resistance: 111 Ω

The condensation water pump pumps the water from the condenser housing at the rear of the machine to the water tank.

RADIO INTERFERENCE FILTER

Part number: 80 585 58
 Leakage current: 230 V/ 50 Hz 0.315 mA
 The filter eliminates radio interference generated by the machine.

INDICATOR LAMP

Part number: 80 070 73
 Current: 1.68 mA, 230 V, 50 Hz
 The lamp indicates that the main power switch is set to on.

THERMISTOR (T760/T780)

Part number: 80 619 00
 Resistance: 40-60 kΩ at 20°-30°C
 The thermistor controls temperature regulation. If the thermistor becomes short-circuited or disconnected from the control unit, the program stops.

CONTACTOR

Part number: 80 091 48
 Resistance: 2 kΩ
 The contactor opens in case of overheating, when the door is opened and at the end of the program.

THERMOSTATS

T700

Part number:
Low 80 619 46 (111° F/44°C)
Normal 80 014 45 (127° F/53°C)
Overheat 80 088 07 (239° F/115° C)

The thermostats are located in the fan housing. It controls the temperatures for the automatic programs and the time program up to 60 minutes. The 239° F thermostat automatically disconnects one of the heating loops if the temperature rises too high. This thermostat is located next to the heating element at the rear of the dryer.

T720

Part number:
Low 80 144 44 (118° F/47° C)
Normal 80 560 29 (158° F/70° C)

This thermostat is located in the fan housing. It controls the temperature for the automatic programs and the time program up to 60 min.

OVERHEAT PROTECTION THERMOSTAT

Part number: 80 084 87 (302° F/150°C manual)
 This thermostat stops the program if the temperature rises too high. The unit has to be manually reset. It is located next to the heating element at the rear of the dryer.

HUMIDITY SENSOR (T760/T780)

Part number: 80 618 55
 The humidity sensor is used to control the drying process. During operation the sensor output signal is between 1 and 16 mV DC. Any other value causes the program to stop.

OVERFILL PROTECTION (T720/780)

Part number: 80 526 43
 If both of the dryer containers are overfilled, the program is stopped by a switch in the lower container. The LED window indicates overfilling.

COMPONENTS AND MEASUREMENT VALUES

ELECTRICAL CONNECTIONS

(See pages 8 and 9.)

DOOR SWITCH

Part number: 50 531 07

The door operates a door switch. When the door is opened, the program stops. If the door is opened and closed during the program, the machine must be restarted with the Start button.

BUZZER (T700/T720)

Part number: 80 618 83

The buzzer sounds to indicate that the program has finished.

PROGRAM CONTROL UNIT (T760/T780)

The control unit contains microprocessors to control the program, motor, heating element etc.

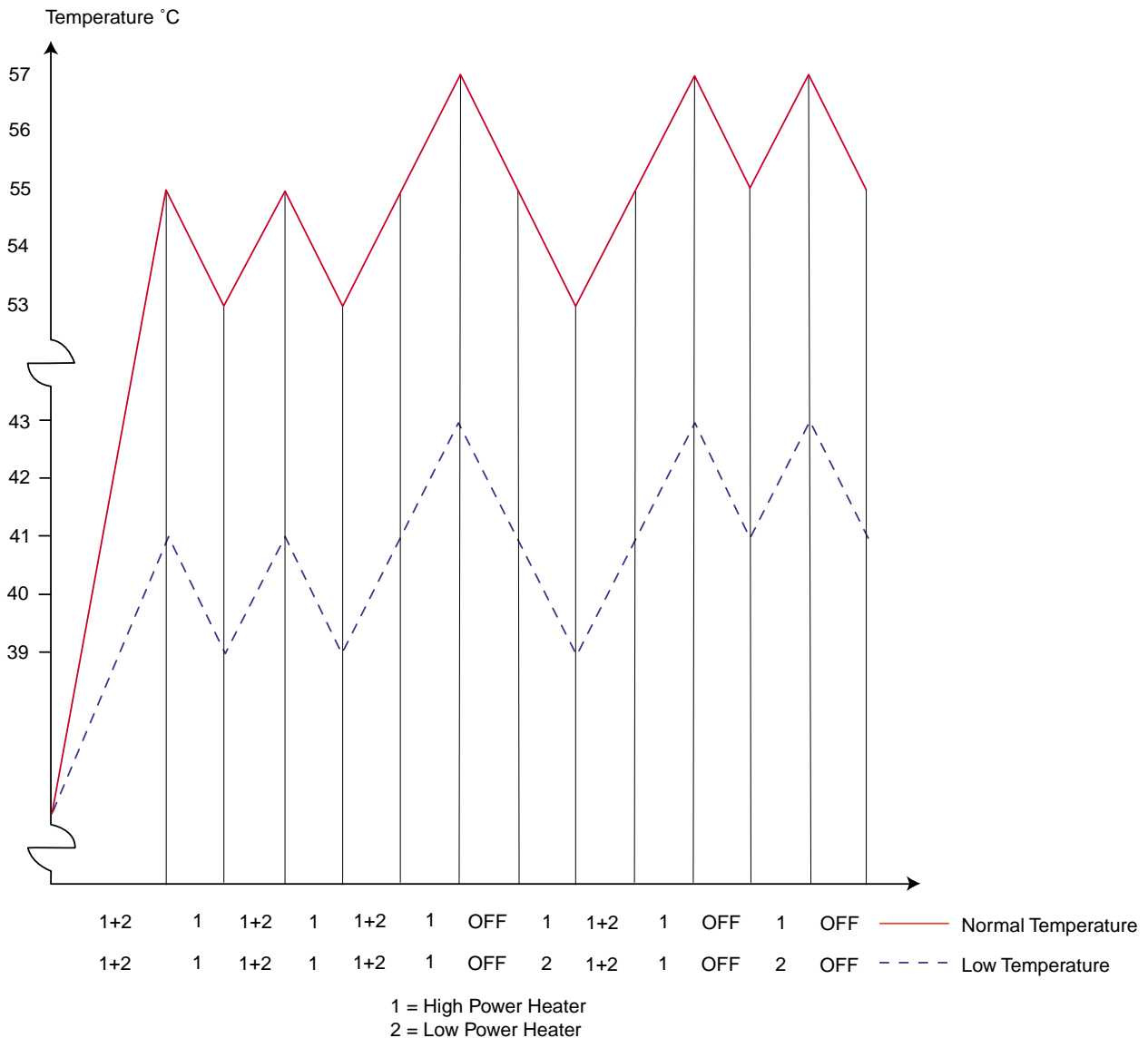
LED WINDOW (T760/T780)

The LED window displays selected programs and options and program information. (See page xx.)

PROGRAMMER (T700/T720)

The programmer has mechanical setting points and a motor with four-minute steps.

HEATING SEQUENCE FOR MODELS T700 AND T760



COMPONENTS AND MEASUREMENT VALUES

HEATING ELEMENT

T700/T760 – 2620 W

Part number: 80 618 33

Resistance: 66.7/25.7 Ω

The element has a maximum power rating of 2620W but consists of two loops of 1900W and 720W, which permits rewiring from 2620W to 1900W.

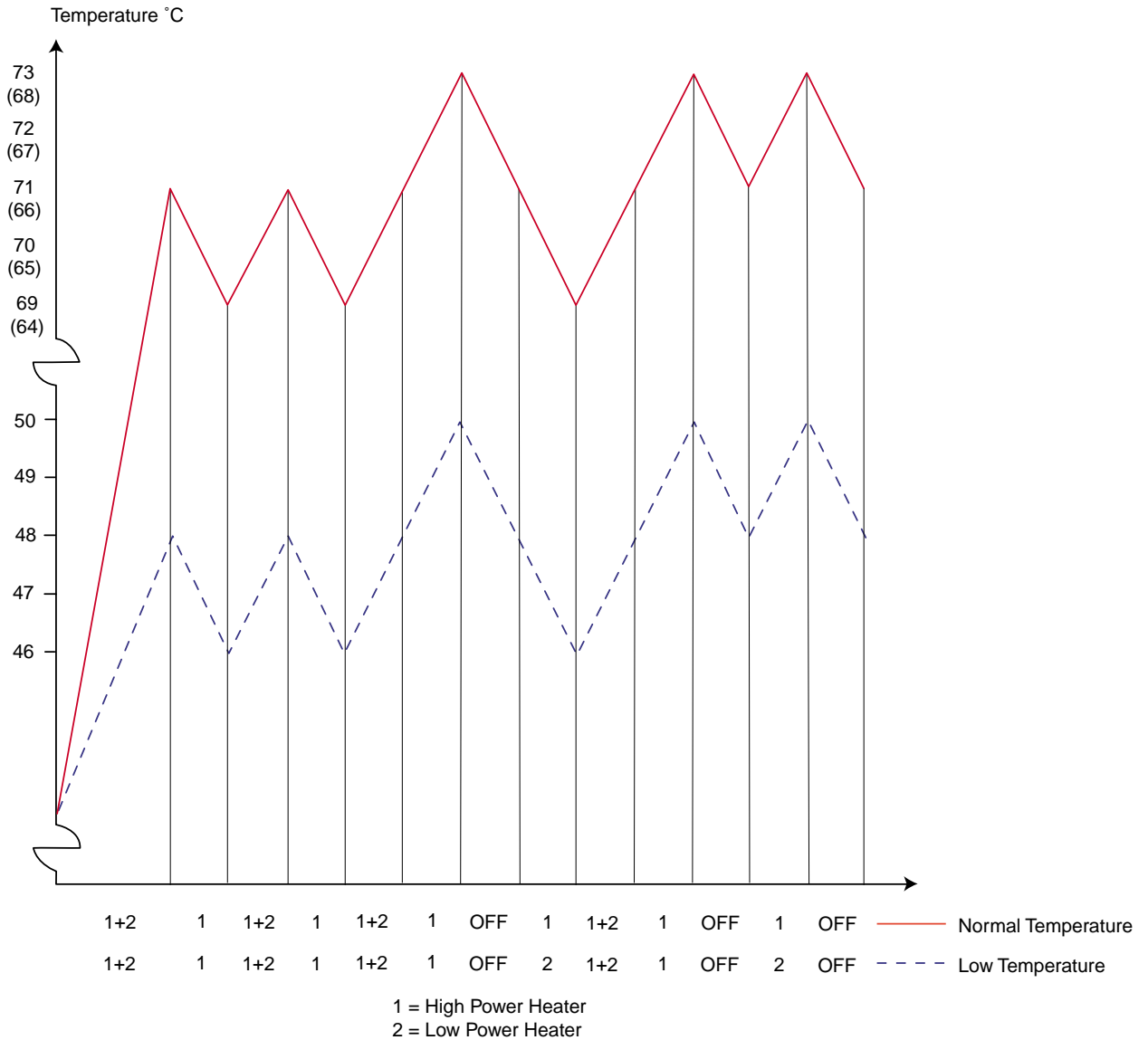
T720/T780 – 2500 W

Part number: 80 637 71

Resistance: 79,7/25 Ω

The element has a maximum power rating of 2500W but consists of two loops of 1900 W and 600 W, which permit rewiring from 2500W to 1900W.

HEATING SEQUENCE FOR MODELS T720 AND T780



TEST PROGRAM AND ERROR MESSAGES

TEST PROGRAM

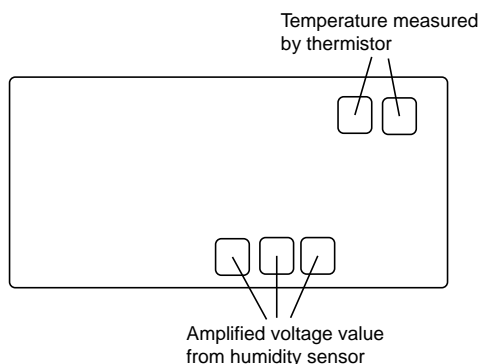
The machine must be in its starting state (obtained by pressing the main power button).

Short-circuit the outputs ST4-1 and ST4-2.

(Start) Start the test program.

(P1) T780: Start the condensation water pump.

(P2) or wait for 60 seconds and the test program will continue.



The program heats, increasing the temperature by 57° F (14° C) in a maximum of 10 minutes, then allows it to cool for 5 minutes (testing that the heating element is working).

The value detected by the humidity sensor can vary according to the environment and on whether there is wet clothing in the dryer.

ERROR MESSAGES – T760/T780

Error messages will display in the LED window if a fault occurs while a program is in progress. The table below defines each possible error message. Once the problem is resolved you may have to turn the power off then on to clear the error message.

Message: Three hours

The machine has run the maximum drying time (three hours).

Possible solutions:

- Make sure both fuses are intact.
- Clean the lint filter.
- Make sure exhaust hose is clear (T760).
- Make sure the condenser (T780) is clear of lint and dust.
- Clear message by turning the power off then on.

Message: Overflow (T780)

The condensed water container is full. This container is located at the top left corner of the dryer.

Possible solutions:

- Make sure the condensed water container is empty. If draining into a drain pipe, make sure the black rubber hose is not kinked or blocked. The drain should not be higher than 40 inches (1016 mm) from the floor.
- Make sure the condensation pump is not blocked.

Message: Sensor

This can appear if there are dry clothes in the drum when the unit is started or if the humidity sensor is not installed properly in the fan housing or control unit. In this case, the machine will stop after 20 minutes.

It could also be caused by a fault in the humidity sensor. If the message does not disappear when you open the door, check the humidity sensor.

Message: Thermistor

The thermistor may have become disconnected or have an internal fault. A serviceable thermistor has a resistance of between 60 and 40 kW at 68° F–86° F (20° C–30° C).

Possible causes and solutions:

- The thermistor is not properly installed in the fan housing. In this case, the heating element will remain switched in for as long as the thermistor cannot detect the selected air temperature. This can lead to an excessively high air temperature in the drum.
- The filter could be blocked. In this case, the overheat protection device is tripped and the machine will stop. Once the unit is cool, press the reset button on the rear of the machine to start the machine.
- The incoming phase is missing.
 - Error L1 – the machine will stop after 20 minutes. Low heating element power (720 or 600 W).
 - Error L2 – the machine will not start. Indicator lamp not lit.
 - Error L3 – the machine operates but the running time is too long (low heating element power (1900W)).
- The fan motor stops after a few seconds. Overheat protection trips, heating element and control damaged.

CONSUMPTION VALUES

T700/T720

Before tumble drying, cotton garments should be spun at 800 to 1600 rpm (long spin drying) in an ASKO washer. Other garments (non-iron and acrylic) should be spun at 800 rpm (short spin drying) in an ASKO washer.

The following conditions apply for the consumption values stated below:

Incoming air temperature:	68° F (20° C)
Incoming air humidity:	65%
Drying temperature:	Normal (🌀)
	Low (🌀)
Heating element power:	T700 2620W
	T720 2500W

T700 CONSUMPTION VALUES

PROGRAM	FABRIC	TEMP	LOAD SIZE *	ENERGY CONSUMPTION (approx. kWh) **
1. Extra dry	Cotton, linen	Normal	Full	3.8 – 3.3
2. Normal Dry	Cotton, linen	Normal	Full	3.4 – 2.6
	Permanent press, cotton/polyester	Low	Half	1.3 –
	Acrylics, rayon, acetates	Low	Half	1.7

*Approximate number of pounds for each load size: Full = 11 pounds; Half = 5.5 pounds

** kWh values are based on 800 – 1600 rpm spins.

T720 CONSUMPTION VALUES

FABRIC	LOAD SIZE *	ENERGY CONSUMPTION (approx. kWh) **
Cotton, linen	Full	3.1 – 2.4
Permanent press, cotton/polyester	Half	1.2 –
Acrylics, rayon, acetates	Full	1.7 –

*Approximate number of pounds for each load size: Full = 11 pounds; Half = 5.5 pounds

** kWh values are based on 800 – 1600 rpm spins.

CONSUMPTION VALUES

T760

Before tumble drying, cotton garments should be spun at 800 to 1600 rpm (long spin drying) in an ASKO washer. Other garments (non-iron and acrylic) should be spun at 800 rpm (short spin drying) in an ASKO washer.

The following conditions apply for the consumption values stated below:

Incoming air temperature: 68° F (20° C)

Incoming air humidity: 65%

Drying temperature: Normal (🌀)

Low (🌀)

Heating element power: 2620 W

T760 CONSUMPTION VALUES

PROGRAM	FABRIC	TEMP	LOAD SIZE *	ENERGY CONSUMPTION (kWh) **
P1 Extra dry	Cotton, linen	Normal	Full	4.1 – 3.4
P2 Dry	Cotton, linen	Normal	Full	3.9 – 3.1
	Permanent press, cotton/polyester	Low	Half	1.7 –
P3 Normal dry	Cotton, linen	Normal	Full	3.4 – 2.6
	Permanent press, cotton/polyester	Low	Half	1.5 –
	Acrylics, rayon, acetates	Low	Half	1.7 –
P4 Iron dry	Cotton, linen	Normal	Full	2.4 – 2.0

*Approximate number of pounds for each load size: Full = 11 pounds; Half = 5.5 pounds

** kWh values are based on 800 – 1600 rpm spins.

T780

Before tumble drying, cotton garments should be spun at 800 to 1600 rpm (long spin drying) in an ASKO washer. Other garments (non-iron and acrylic) should be spun at 800 rpm (short spin drying) in an ASKO washer.

The following conditions apply for the consumption values stated below:

Incoming air temperature: 68° F (20° C)

Incoming air humidity: 65%

Drying temperature: Normal (🌀)

Low (🌀)

Heating element power: 2500 W

T780 CONSUMPTION VALUES

PROGRAM	FABRIC	TEMP	LOAD SIZE *	ENERGY CONSUMPTION (kWh) **
P1 Extra dry	Cotton, linen	Normal	Full	3.8 – 3.1
P2 Dry	Cotton, linen	Normal	Full	3.5 – 2.8
	Permanent press, cotton/polyester	Low	Half	1.4 –
P3 Normal dry	Cotton, linen	Normal	Full	3.4 – 2.6
	Permanent press, cotton/polyester	Low	Half	1.5 –
	Acrylics, rayon, acetates	Low	Half	1.7 –
P4 Iron dry	Cotton, linen	Normal	Full	2.4 – 2.0

*Approximate number of pounds for each load size: Full = 11 pounds; Half = 5.5 pounds

** kWh values are based on 800 – 1600 rpm spins.

LIST OF TOOLS

"Torx" screwdrivers:

- T25
- T20
- T10

Socket wrenches:

- 11/16"
- 13 mm
- 8 mm

Socket screwdriver:

- 10 mm

Screwdrivers

APPLICATION AREAS

Top lid:

torx T25

Rear piece:

torx T25
torx T20
ring spanner 13 mm
special tool (Part no. 72 816 15)

Input terminal block:

torx T25
torx T20
ring spanner 8 mm

Radio interference filter:

torx T25
ring spanner 13 mm

Contractor:

torx T25
torx T20

Fuse holder:

torx T25
ring spanner 11/16"

Drum:

torx T25
torx T20
socket spanner 10 mm
special tool (Part no. 88 011 54)

External fan housing:

torx T25
torx T20
socket spanner 10 mm

Motor:

torx T25
torx T20
torx T10

socket spanner 10 mm

ring spanner 13 mm

special tool (Part no. 88 011 54)

Humidity sensor:

torx T25

torx T20

torx T10

special tool (Part no. 88 011 54)

Thermostats:

torx T25

torx T10

Thermistor:

torx T25

torx T20

torx T10

flat-nose pliers

special tool (Part no. 88 011 54)

Front frame:

torx T25

torx T20

torx T10

socket spanner 10 mm

ring spanner 13 mm

special tool (Part no. 88 011 54)

Front door:

torx T25

torx T20

ring spanner 8 mm

star socket head screwdriver

Front panel:

torx T25

torx T20

torx T10

Panel:

torx T25

torx T20

6.5–7 mm wide-blade screwdriver

Programmer:

torx T25

torx T20

Electronic control unit:

torx T25

Condenser housing:

torx T25

torx T20

socket spanner 10 mm

special tool (Part no. 88 011 54)

Water tank housing:

torx T25

torx T20

Side panels/bottom:

torx T25

torx T20

torx T10

6.5–7 mm wide-blade screwdriver

Front panel:

torx T25

torx T20

6.5–7 mm wide-blade screwdriver

torx T20

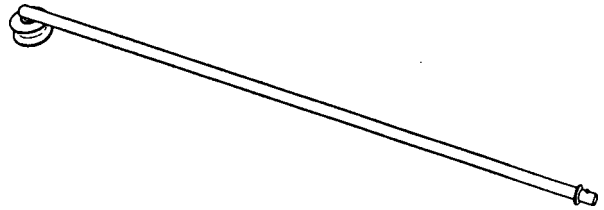
torx T10

SPECIAL TOOLS

Installing the Drum TD20

Part no. 88 011 54

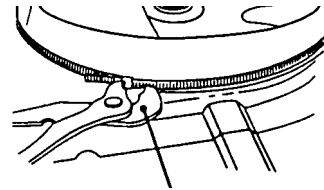
The tool hangs in one of the punched-out keyholes in the front rail, then the rear edge of the drum is rolled up on to the roller and the drum is held in place.



Installing the Felt Strip Seal

Part no. 72 816 15

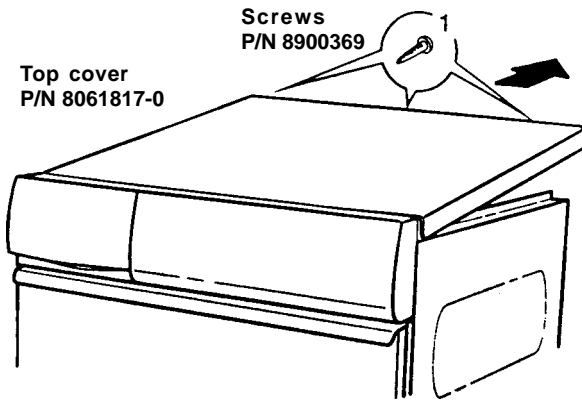
This tool is used to tighten the tensioning band around the felt strip seal.



TOP COVER AND LOWER COVER

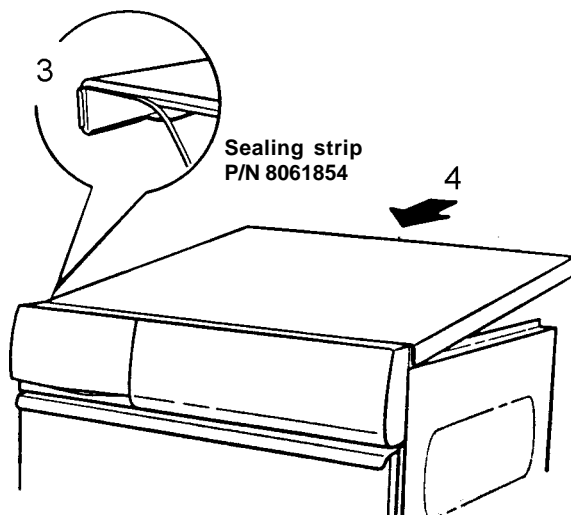
REMOVING THE TOP COVER

1. Remove the three T20 screws at the rear of the top cover. (Keep the two star washers.)
2. Tilt the cover and pull it backwards.



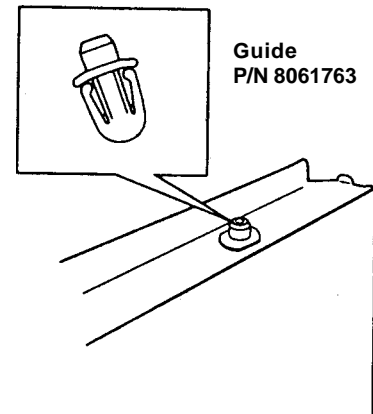
REPLACING THE TOP COVER

3. Ensure that the sealing strip is positioned along the edge of the top cover.
4. Push the front edge of the top cover under the panel and lower the cover.
5. Secure the cover with the three screws at the rear. Don't forget the two star washers for the outer screws.



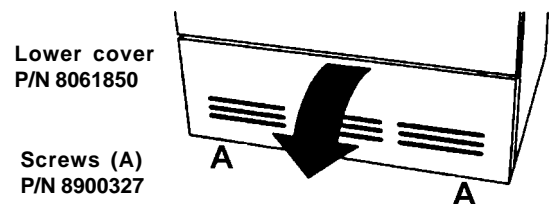
CHANGING THE GUIDES

1. Remove the top cover (see this page).
2. Squeeze the latches together and pull or push the guide upwards.
3. Push the new guide into place.
4. Replace the top cover. Don't forget the two star washers for the outer screws.



REMOVING THE LOWER COVER

1. Remove the two 20 torx screws (A) at the bottom of the lower cover.
2. Next, grasp the sides and pull it forward and down.



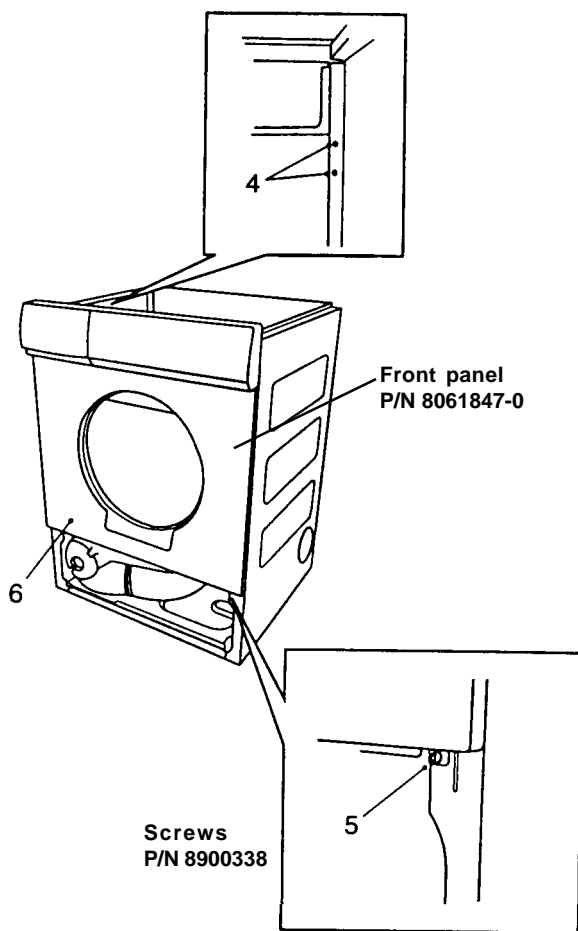
NOTE:

Fixing clips are available to replace the screws on the lower cover. For more information, refer to Appendix A on page 62.

FRONT PANEL

REMOVING THE FRONT PANEL

1. Remove the top cover (see page 23).
2. Remove the lower cover (see page 24).
3. Remove the door (see page 39).
4. Remove the front drum frame (see page 38).
5. Remove the four screws that secure the front panel to the side panels.
6. Remove the two screws that secure the bottom edge of the front panel.
7. Lift off the front panel.



REPLACING THE FRONT PANEL

8. Position the front panel.
9. Insert the four screws from the inside in the side panels.
10. Replace the front door.
11. Insert the two screws that secure the front panel at the bottom edge. Don't forget the two star washers for these screws.
12. Insert the four screws that secure the front panel to the front drum frame.
13. Replace the top cover. (Don't forget the two star washers for the outer screws.)
14. Replace the lower cover.

REMOVING THE REAR PANEL

1. Remove the top cover (see page 23).
2. Unscrew the centering nut until the face of the nut is level with the end of the thread and knock out the bearing.
3. Fit the special tool (part no. 88 011 54) by fitting the tube end into one of the stamped out keyholes in the front rail. Lift the rear edge of the drum and press the drum edge onto the roller.
4. Remove the ground connection (yellow/green wire) from the input terminal block (see pages 8 and 9).
5. Take the cable bundle out of the cable clamp and pull the header block off its terminal pins.
6. Remove the wiring:
T700/T720: R1 a, R1 b, R1 13, R1 14, R1 34 on the contactor.
T760/T780: Ra, Rb, R13, R14, R34 on the contactor and F3 and F4 on the radio interference filter.
7. **T720/T780:** Remove the hoses to the water tank housing.
8. Remove the centering nut and the eight screws.

NOTE:

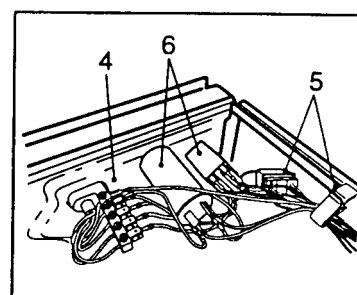
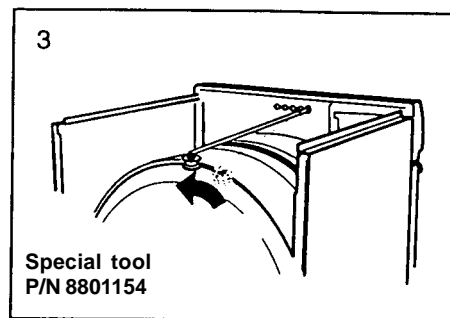
Do not remove or loosen the screws around the heater housing or drum bearing.

9. **T720/T780:** Remove the three plastic screws at the lower part of the rear panel.
10. Lift off the rear panel.

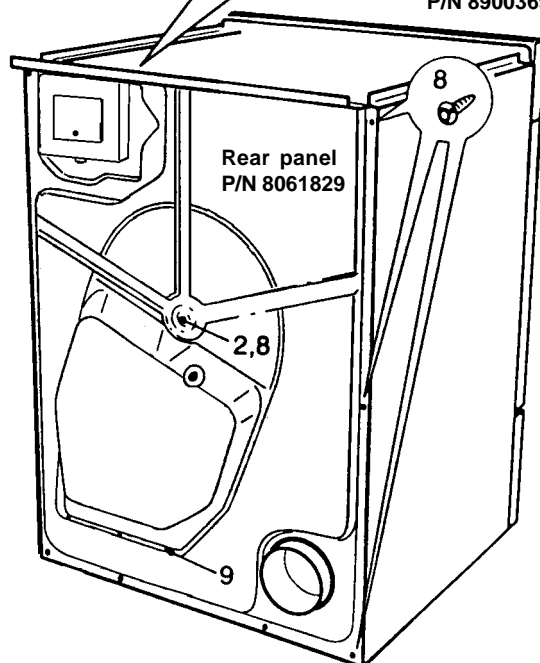
REPLACING THE REAR PANEL

11. Hook the rear panel onto the base.
12. Remove the special tool.
13. Screw on the centering nut and fit the eight screws.
14. **T720/780:** Refit the hoses.
15. Fit the grounding connection and the wiring:
T700/720: R1 a, R1 b, R1 13, R1 14, R1 34 on the contactor.
T760/T780: Ra, Rb, R13, R14, R34 on the contactor and F3 and F4 on the radio interference filter.

16. Push the header block onto its terminal pins and place the cable bundle in the cable clamp.
17. Replace the top cover. Don't forget the two star washers for the outer screws.



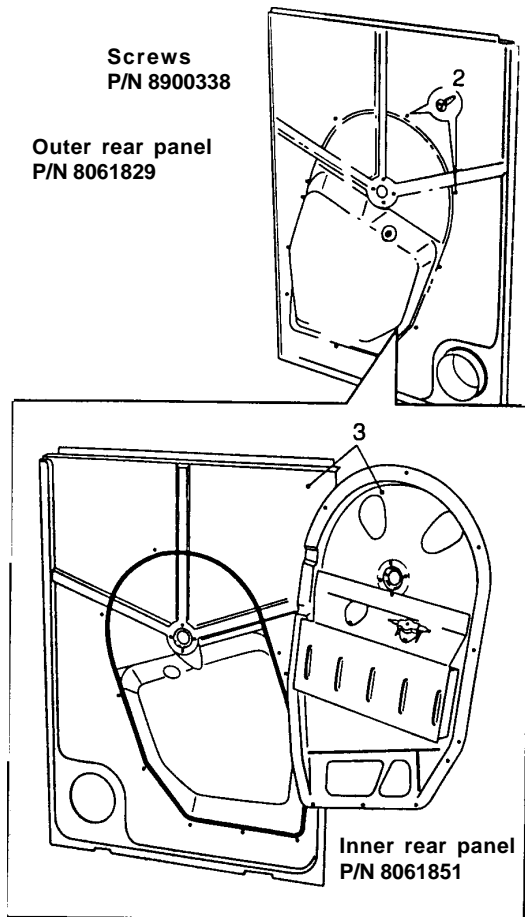
Screws
P/N 8900369



INNER AND OUTER REAR PANELS AND FOAM RUBBER SEAL

REMOVING THE INNER AND OUTER REAR PANELS

1. Remove the top cover (see page 23) and the rear panel (see page 26).
2. Remove the screws and the cable clamp that secure the inner rear panel to the outer panel.
3. Lift them apart. The bearing is now free and can be removed.



REPLACING THE INNER AND OUTER REAR PANELS

4. Put the inner rear panel on to the drum shaft and feed it on to the bearing.
5. Align the outer rear panel and secure it with the screws to the inner rear panel, along with the cable clamp.

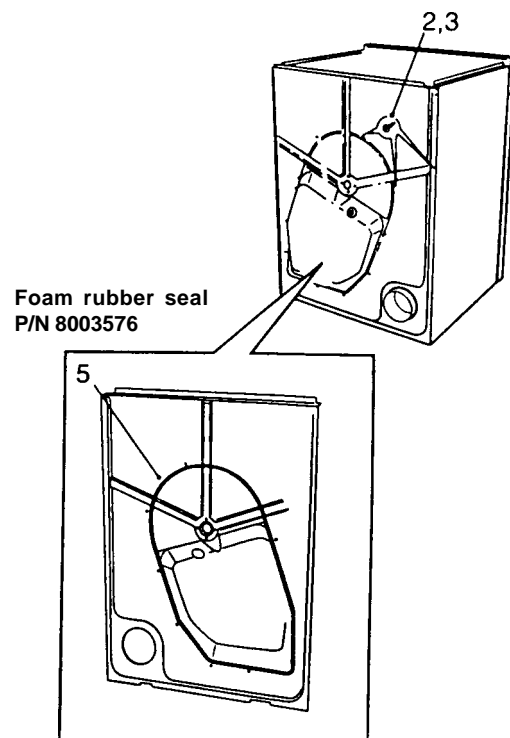
WARNING

It is important that the wiring bundle runs along its groove.

6. Secure the rear panel to the side panels and bottom.
7. Install the remaining wiring in accordance with the electrical schematic diagram.
8. Replace the top cover. Don't forget the two star washers for the outer screws.
9. Tighten the centering nut.

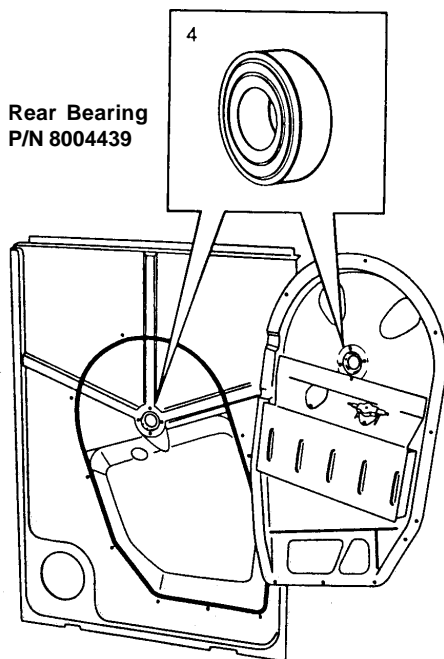
CHANGING THE FOAM RUBBER SEAL

1. Remove the cover (see page 23) and the rear panel (see page 26).
2. Remove the screws that secure the rear panel sides and bottom.
3. Remove the screws that secure the inner and outer rear panels.
4. Lift off the outer rear panel.
5. Change the foam rubber seal.
6. Put the outer rear panel in place.
7. Secure the rear panels to each other.
8. Secure the rear panels to the machine.
9. Replace the top cover. Don't forget the two star washers for the outer screws.



CHANGING THE REAR BEARING

1. Remove the top cover (see page 23) and the rear panel (see page 26).
2. Remove the screws and the cable clamp that secure the inner and outer rear panels.
3. Lift them apart.
4. Change the bearing.
5. Put the inner rear panel and the bearing on the shaft.
6. Align the outer rear panel and secure the inner rear panel to it, along with the cable clamp.



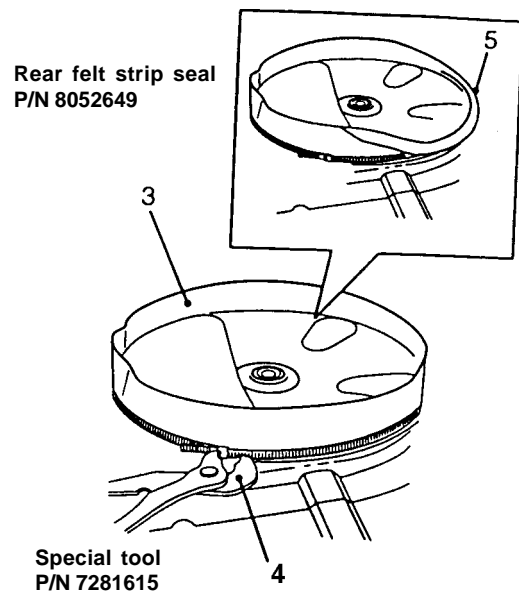
WARNING

It is important that the wiring bundle runs along its groove.

7. Remove the special tool.
8. Secure the rear panel to the side panels and bottom.
9. Install the remaining wiring in accordance with the electrical schematic diagram and refit the disconnected cables.
10. Replace the top cover. Don't forget the two star washers for the outer screws.
11. Tighten the centering nut.

CHANGING THE REAR FELT STRIP SEAL

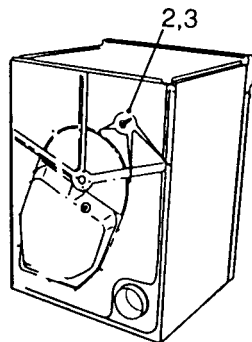
1. Remove the top cover (see page 23) and the rear panel (see page 26).
2. Lift off the felt strip seal.
3. Thread the new felt strip into place.
4. Using the special tool, tighten the tensioning band around the felt strip.
5. Fold over the felt strip.
6. Replace the rear panel.
7. Replace the top cover.



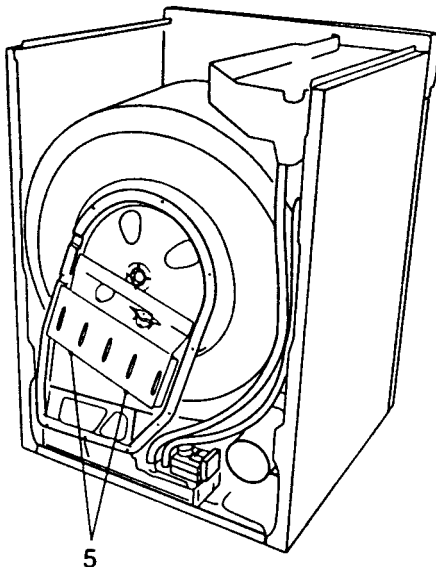
HEATING ELEMENT AND OVERHEAT PROTECTION THERMOSTAT

CHANGING THE HEATING ELEMENT

1. Remove the top cover (see page 23).
2. Remove the rear panel (see page 26).
3. Remove screws that secure the inner and outer rear panels, along with the cable clamp.
4. Lift off the outer rear panel.
5. Unscrew the heating element.
6. Install a new heating element or clean the old one.
7. Secure the heating element.
8. Put the outer rear panel in place.
9. Secure the rear panels to each other.
10. Secure the rear panels to the machine.
11. Replace the top cover. Don't forget the two star washers for the outer screws.

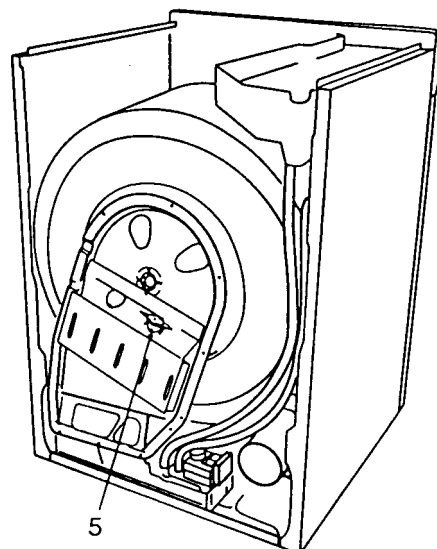
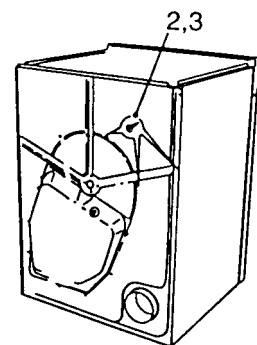


Heating element
P/N 8063808



CHANGING THE OVERHEAT PROTECTION THERMOSTAT

1. Remove the top cover (see page 23).
2. Remove the rear panel (see page 26).
3. Remove the screws that secure the inner and outer rear panels, along with the cable clamp.
4. Lift off the outer rear panel.
5. Unscrew the overheat protection thermostat.
6. Fit the new overheat protection thermostat.
7. Secure the thermostat.
8. Put the outer rear panel in place.
9. Secure the rear panels to each other.
10. Secure the rear panels to the machine.
11. Replace the top cover. Don't forget the two star washers for the outer screws.

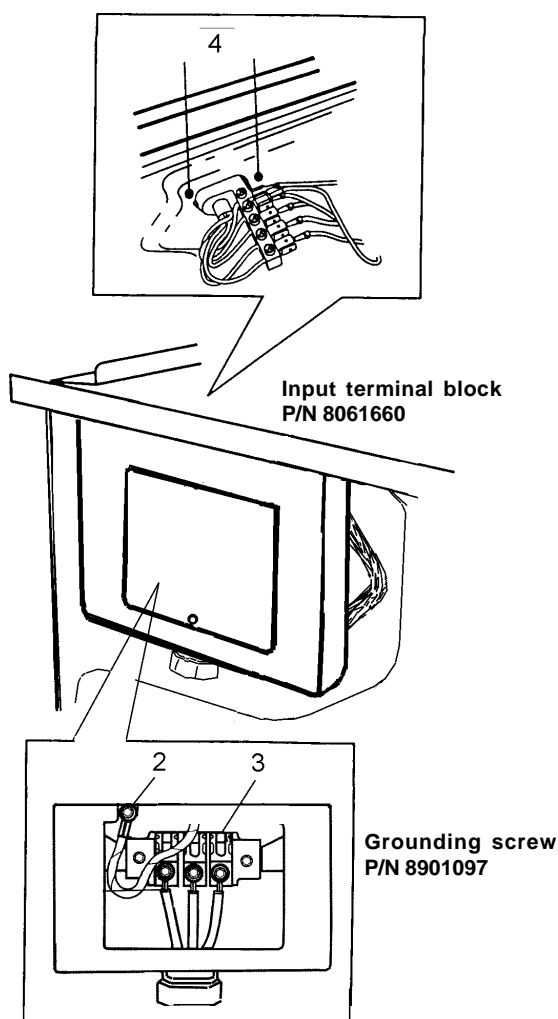


Overheat protection device
P/N 8008487

INPUT TERMINAL BLOCK AND RADIO INTERFERENCE FILTER

REMOVING THE INPUT TERMINAL BLOCK

1. Remove the top cover (see page 23).
2. Remove the grounding screw.
3. Remove all the wiring.
4. Press in the latches with a screwdriver and pull out the input terminal block.

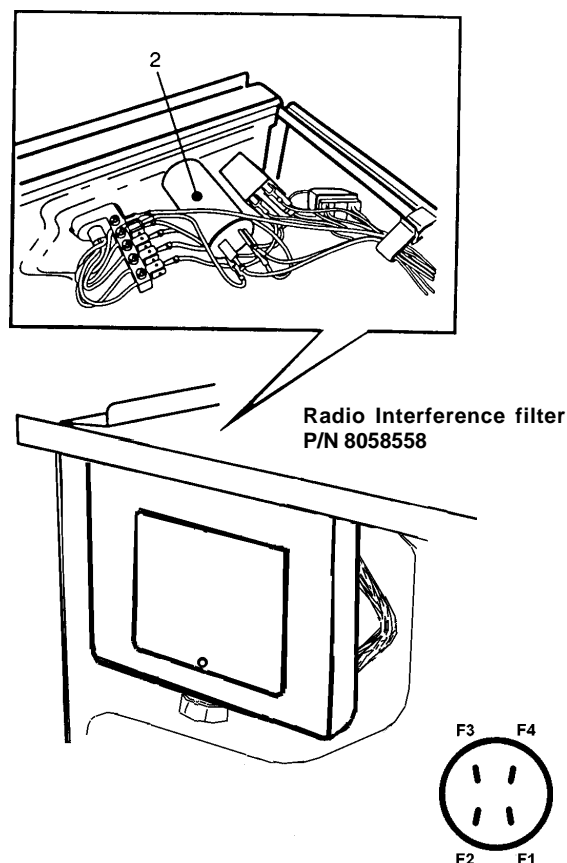


REPLACING THE INPUT TERMINAL BLOCK

5. Fit the input terminal block. (The latches must snap on to the edge of the plate.)
6. Install the wiring in accordance with the electrical schematic diagram. Make sure the wires are correctly replaced.
7. Secure the grounding screw.
8. Replace the top cover. Don't forget the two star washers for the outer screws.

REMOVING THE RADIO INTERFERENCE FILTER

1. Remove the top cover (see page 23).
2. Disconnect the wiring from the radio interference filter.
3. Check the filter by taking an ohms reading between connections 1,3 and 2,4.
4. Unscrew the nut securing the filter.



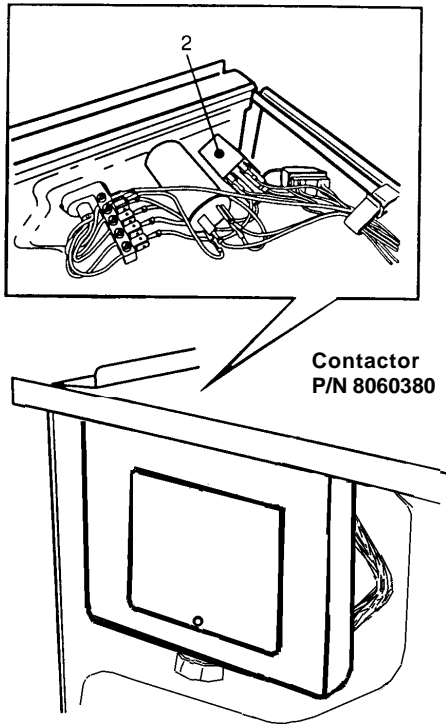
REPLACING THE RADIO INTERFERENCE FILTER

5. Fit the radio interference filter.
6. Install the wiring in accordance with the labels on the wires. Make sure you connect the wires to the correct flat pin connectors.
7. Replace the top cover. Don't forget the two star washers for the outer screws.

CONTACTOR, FUSE (T760/T780) AND FUSE HOLDER

REMOVING THE CONTACTOR

1. Remove the top cover (see page 23).
2. Remove the wiring to the contactor.
3. Check resistance
4. Unscrew the two screws that secure the contactor.



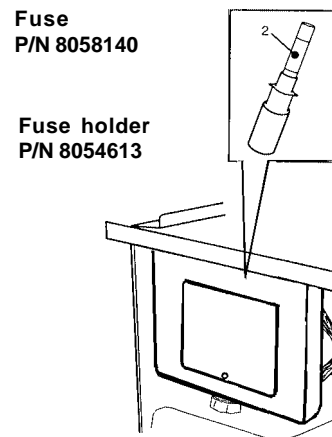
Ra / R1 a	■	■	Rb / R1 b
R13 / R1 13	■	■	R14 / R1 14
R23 / R1 23	■	■	R24 / R1 24
R33 / R1 33	■	■	R34 / R1 34
R43 / R1 43	■	■	R44 / R1 44

REPLACING THE CONTACTOR

5. Fit the contactor.
6. Install the wiring in accordance with the labels on the wires. Make sure you connect the wires to the correct flat pin connectors.
7. Replace the top cover. Don't forget the two star washers for the outer screws.

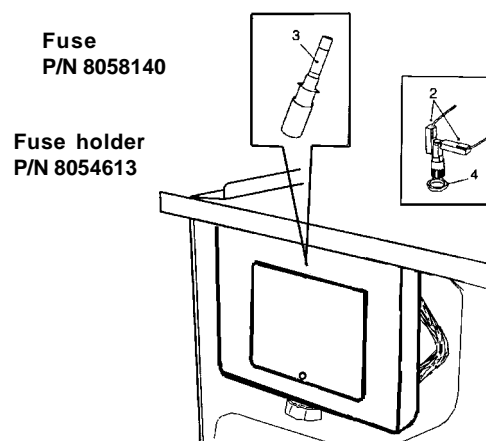
CHANGING THE FUSE

1. Remove the fuse holder insert with a screwdriver (1/4 turn).
2. Change the fuse. (The fuses must be 250V, 15 Amp slow-blow fuses.)
3. Fit the fuse holder insert with the fuse into the fuse holder.



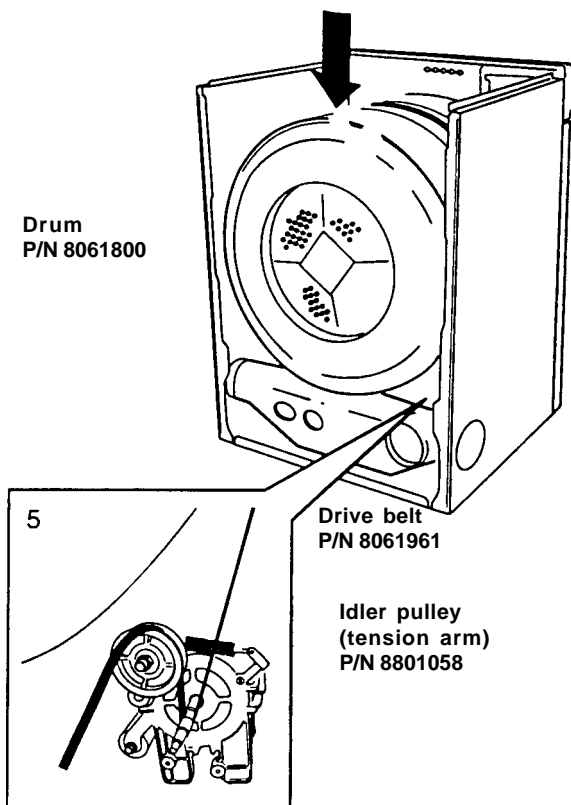
CHANGING THE FUSE HOLDER/INSERT

1. Remove the top cover (see page 23).
2. Remove the wiring that goes to the fuse holder.
3. Remove the fuse holder insert with a screwdriver (1/4 turn).
4. Unscrew the fuse holder.
5. Fit the new fuse holder.
6. Connect the wiring.
7. Install the fuse holder and its insert.
8. Replace the top cover. Don't forget the two star washers for the outer screws.



REMOVING THE DRUM

1. Remove the top cover (see page 23) and the rear panel (see page 26).
2. **T720/780:** Remove the external fan housing (see page 33).
3. Remove the special tool.
4. Remove the belt from the belt pulley.
5. Lift out the drum while taking off the belt.



REPLACING THE DRUM

6. Feed the belt over the drum.
7. Feed the belt on to the motor shaft and over the belt pulley.
8. Align the drum against the front frame and install the special tool.
9. **T720/780:** Replace the external fan housing.
10. Replace the rear panel and top cover.

CHANGING THE DRIVE BELT

1. Remove the top cover (see page 23) and the rear panel (see page 26).
2. **T720/780:** Remove the external fan housing (see page 32).
3. Remove the special tool.
4. Remove the belt from the belt pulley and take off the belt.
5. Feed the belt over the drum onto the motor shaft and over the belt pulley.
6. Install the special tool.
7. **T720/780:** Replace the external fan housing.
8. Replace the rear panel and top cover.

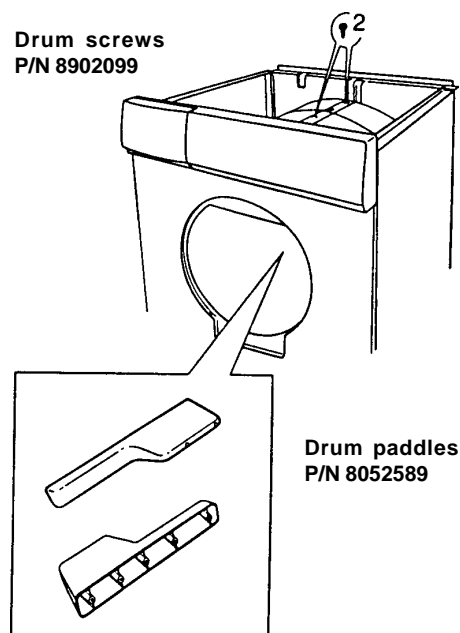
CHANGING THE DRUM PADDLES

1. Remove the top cover (see page 23).
2. Unscrew the five screws that secure the drum paddles. (Rotate the drum until you can reach the screws.)
3. Secure the new drum paddles.

WARNING

The drum paddles must be installed in each direction, see the illustration.

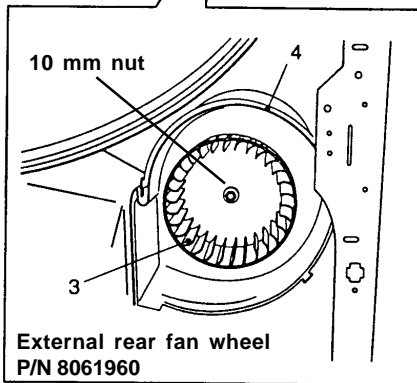
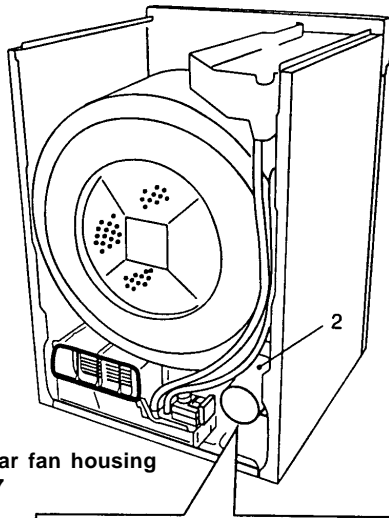
4. Replace the top cover. Don't forget the two star washers for the outer screws.



EXTERNAL REAR FAN HOUSING AND FAN WHEEL (T720/T780)

REMOVING THE EXTERNAL REAR FAN HOUSING

1. Remove the top cover (see page 23) and rear panel (see page 26).
2. Unclip the external rear fan housing suction side.
3. Unscrew the 10 mm nut on the external rear fan wheel and remove it.
4. Lift the external rear fan housing motor side and pull it toward you.

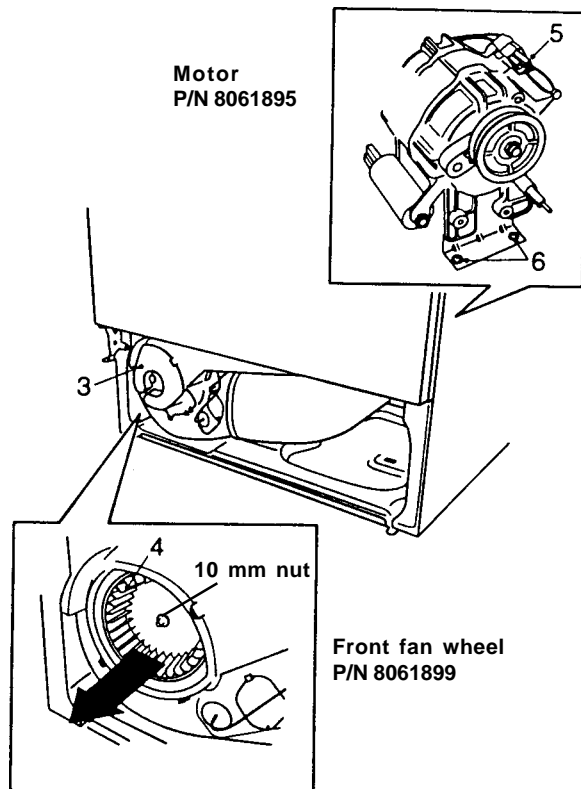


REPLACING THE EXTERNAL REAR FAN HOUSING

5. Push the external rear fan housing motor side onto the motor shaft until the snap fastener locks at the bottom.
6. Replace the fan wheel.
7. Replace the external rear fan housing suction side. The snap fasteners must clip securely into place.
8. Replace the rear panel.
9. Replace the top cover.

REMOVING THE MOTOR

1. Remove the drum (see page 30).
2. Remove the lower cover (see page 24).
3. Remove the front fan housing cover (see page 33).
4. Unscrew the front fan wheel.
5. **T720/780:** Remove the external fan housing (see page 33).
6. Disconnect the wiring in the switch housing on the motor, and the grounding wire.
7. Unscrew the four screws securing the motor to the bottom plate. To gain access to the screws the belt pulley can be lifted off.
8. Lift out the motor.

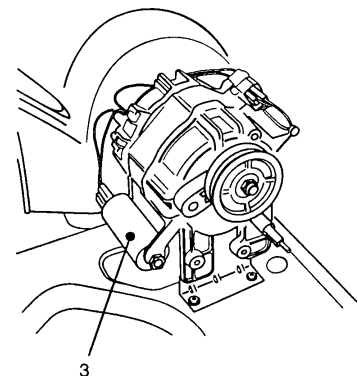


REPLACING THE MOTOR

9. Align the motor with the four holes and secure it.
10. Connect the wiring. Don't forget to replace the belt pulley.
11. Install the fan wheel and the cover for the fan housing.
12. Replace the lower cover.
13. **T720/780:** Replace the external fan housing.
14. Replace the drum.

CHANGING THE CAPACITOR

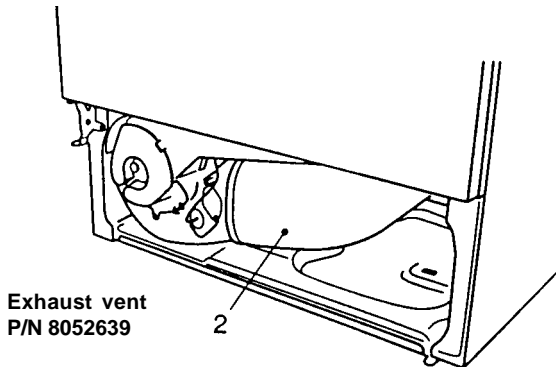
1. Remove the top cover (see page 23) and the rear panel (see page 26).
2. **T720/780:** Remove the external fan housing (see page 33).
3. Unscrew the capacitor.
4. Install a new capacitor and connect the wiring. Ensure the wiring connections are correct.
5. **T720/780:** Replace the external fan housing.
6. Replace the rear panel.
7. Replace the top cover.



EXHAUST VENTS

REMOVING THE EXHAUST VENT

1. Remove the lower cover (see page 24).
2. Grasp the exhaust vent and twist it free.

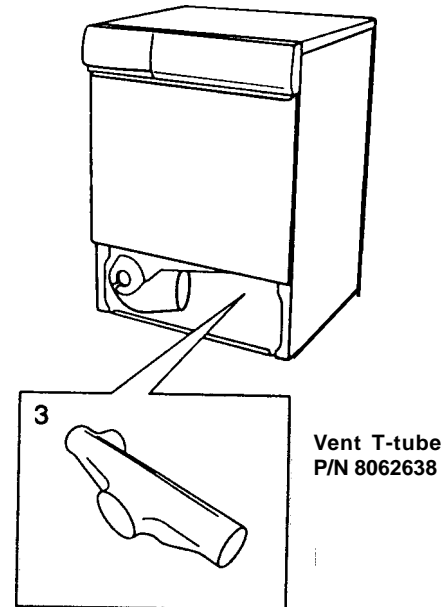


REPLACING THE EXHAUST VENT

3. Push the long end into the exhaust vent T-tube.
4. Press the other end onto the front exhaust lip.

REMOVING THE EXHAUST VENT T-TUBE

1. Remove the lower cover (see page 24).
2. Remove the exhaust vent (see this page).
3. Punch out the exhaust cover you plan to use (the sides or rear).
4. Lift out the T-tube.



REPLACING THE EXHAUST VENT T-TUBE

5. Position the exhaust vent T-tube.
6. Install both exhaust covers. (The covers must be connected to the T-tube outlets.)
7. Replace the exhaust vent.
8. Replace the lower cover.

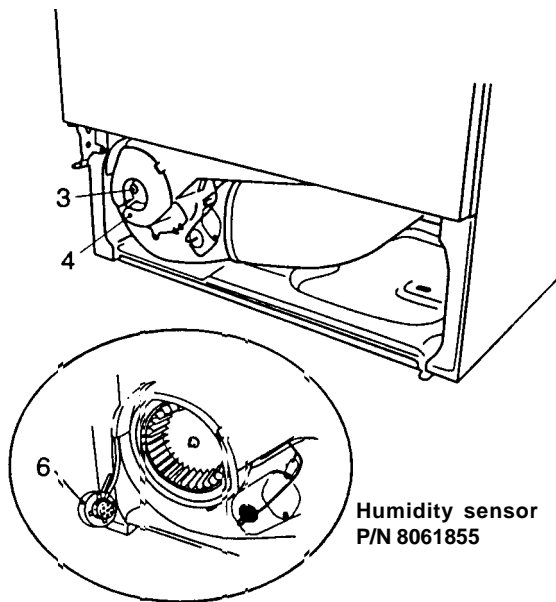
REMOVING THE HUMIDITY SENSOR

1. Remove the top cover (see page 23).
2. Remove the lower cover (see page 24).
3. Use a screwdriver to remove the plugs.
4. Remove the fan housing cover (see page 32).
5. Unscrew the two screws that secure the sensor to the cover.
6. Lift out the humidity sensor.

NOTE

To check if the humidity sensor is faulty, a new sensor can be installed in the fan housing, with its wire taken outside the machine to the control board/programmer.

7. Remove the drum (see page 32).
8. Remove the humidity sensor from the control board and the wiring from the front frame.
9. Pull out the sensor's connecting cable.



INSTALLING THE HUMIDITY SENSOR

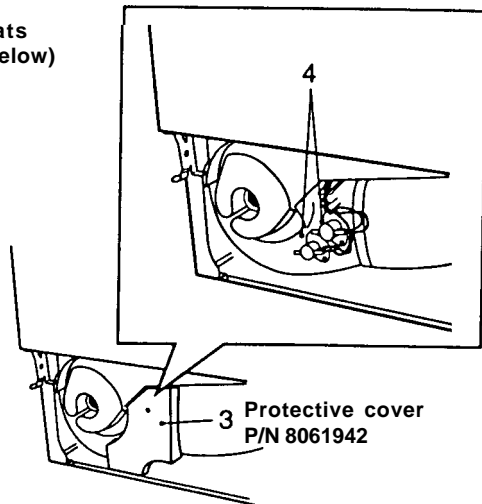
10. Route the humidity sensor's connecting cable up to the control board.
11. Secure the cable in the cable clamps and connect the plug to the control board.
12. Replace the drum.
13. Secure the humidity sensor inside the cover and protection.
14. Install the plugs and the cover for the fan housing.
15. Install the bottom and top covers. Don't forget the two star washers for the outer screws on the top cover.

THERMOSTAT (T700/T720) AND THERMISTOR (T760/780)

REMOVING THE THERMOSTAT

1. Remove the top cover (see page 23).
2. Remove the lower cover (see page 24).
3. Unscrew the plastic protective cover.
4. Unscrew the thermostats and remove the wiring.

Thermostats
P/N (see below)



REPLACING THE THERMOSTAT

5. Install the thermostat and the wiring.
6. Replace the protection, lower cover and top cover. Don't forget the two star washers for the outer screws for the top cover.

T700 Thermostats

In front:

P/N 8061946 – 111°/89° F (44°/32° C)

P/N 8001445 – 127° F (53° C)

On heaters:

P/N 8008487 – 302° F (150° C)

P/N 8008807 – 239° F (115° C)

T720 Thermostats

In front:

P/N 8001444 – 111° F (44° C)

P/N 8056029 – 158°/138° F (70°/59° C)

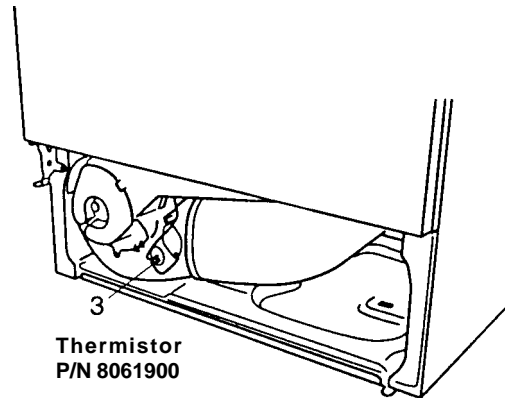
On heater:

P/N 8008487 – 302° F (150° C)

REMOVING THE THERMISTOR

See page 15 for values.

1. Remove the top cover (see page 23).
2. Remove the lower cover (see page 24).
3. Remove the plastic protective cover.



4. Using flat-nose pliers, take out the thermistor.

NOTE

To check if the thermistor is faulty, a new thermistor can be installed in the fan housing, with its wire taken outside the machine to the control board/programmer.

5. Remove the drum (see page 31).
6. Remove the thermistor from the control board and the cable from the front frame.
7. Pull out the thermistor's connecting cable.

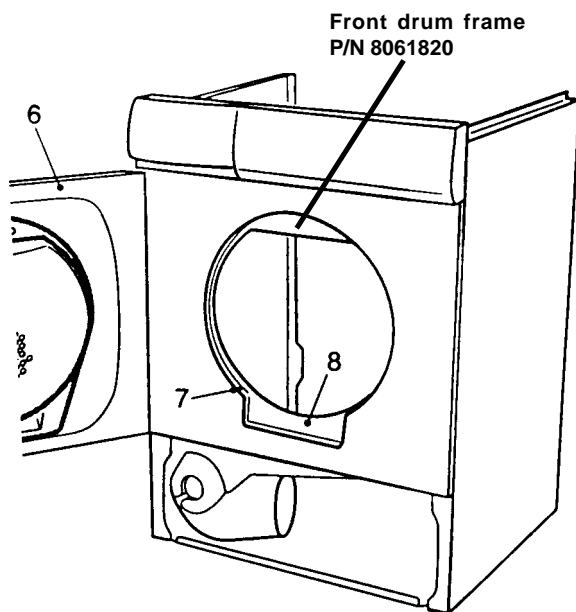
REPLACING THE THERMISTOR

8. Route the thermistor's connecting cable up to the control board.
9. Secure the cable in the cable clamps and connect the plug to the control board.
10. Install the thermistor. The rubber seal for the thermistor must provide a very tight seal.
11. Replace the drum.
12. Replace the protection, lower cover and top cover. Don't forget the two star washers for the outer screws for the top cover.

FRONT DRUM FRAME, FRONT SEAL, AND SUPPORT ROLLER

REMOVING THE FRONT DRUM FRAME

1. Remove the motor (see page 34).
2. **T700/760:** Remove the exhaust vent by twisting it free.
3. Remove the wire bundle from the cable clamps on the front drum frame.
4. Remove the fan housing cover (see page 33).
5. Using flat-nose pliers, take out the thermistor.
6. Open the front door.
7. Unscrew the four screws that secure the drum frame to the front panel.
8. Lift out the drum frame.

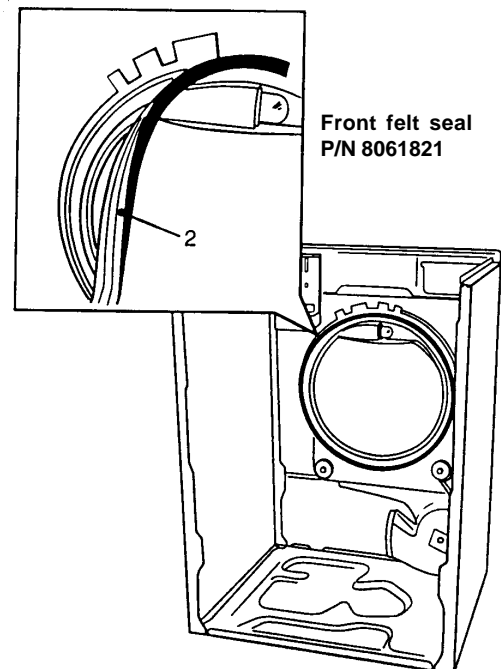


REPLACING THE FRONT FRAME

9. Align the drum frame against the front panel.
10. Tighten the four screws that secure the drum frame to the front panel.
11. Install the thermistor.
12. Install the fan housing cover.
13. Put the cable bundle into the cable clamps.
14. **T700/760:** Install the exhaust duct hook by pressing it on to the drum frame exhaust lip.
15. Install the motor.

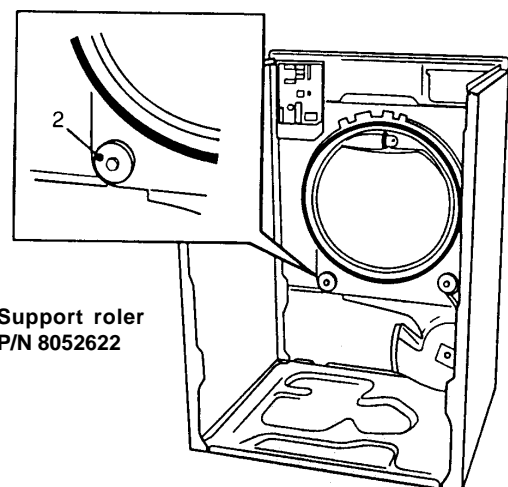
CHANGING THE FRONT FELT SEAL

1. Remove the drum (see page 32).
2. Remove the seal.
3. Install the new seal evenly distributed around the groove. The strip must be pressed firmly all around the groove.
4. Replace the drum.



CHANGING THE SUPPORT ROLLER

1. Remove the front frame.
2. Unscrew the support roller.
3. Install the new support roller.
4. Replace the front frame.



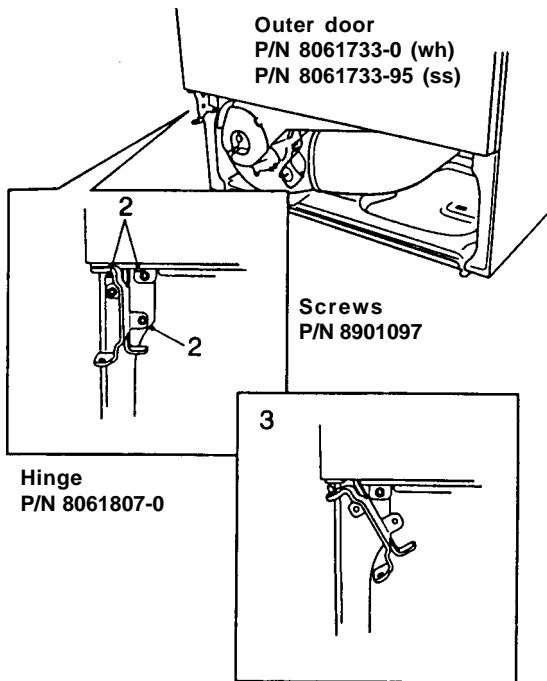
DOOR

REMOVING THE DOOR

NOTE

The front door must remain closed during the entire removal procedure (The door magnet will hold it in place.)

1. Remove the lower cover (see page 24).
2. Unscrew and remove the three screws that secure the hinge fixture.
3. Lift down the front door.



REPLACING THE DOOR

4. Align the front door against the hinge socket in the panel.
5. Close the front door so that the door magnet holds it in place.
6. Put the hinge pin into its socket.
7. Tighten the three screws that secure the hinge fixture.
8. Replace the lower cover

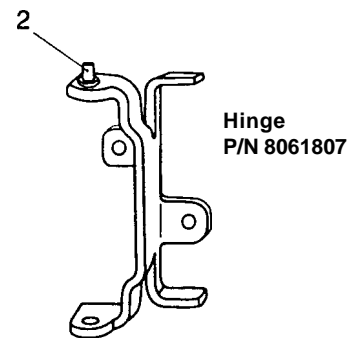
CHANGING THE HINGE PIN

1. Remove the front door (see this page).
2. Unscrew the hinge pin.

NOTE

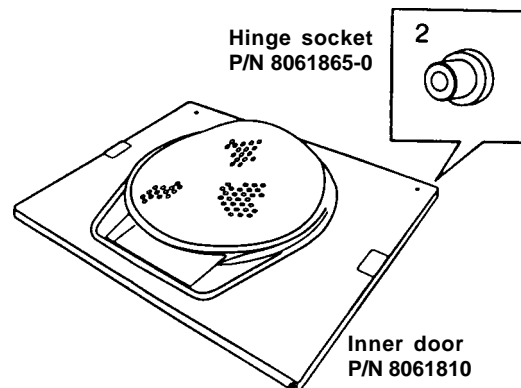
The illustration shows the lower hinge fixture. The hinge pin is installed in a similar manner in the upper hinge fixture.

3. Install the hinge pin.
4. Install front door.



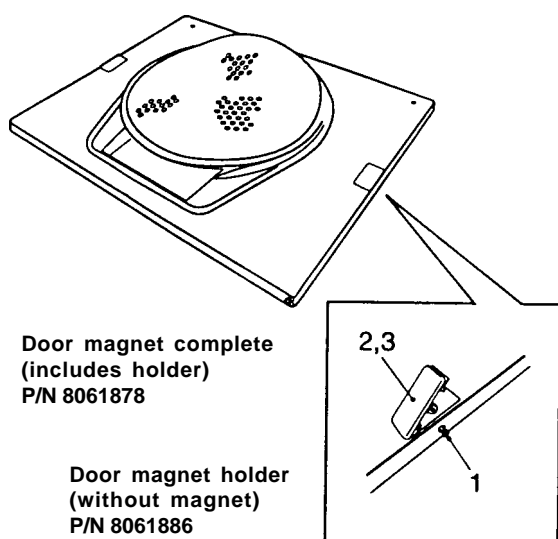
CHANGING THE HINGE SOCKET

1. Remove the three screws that secure the lower hinge and twisting it free, take off the front door.
2. Change the hinge socket.
3. Hang the front door back on with the aid of the door magnet and secure the hinge.



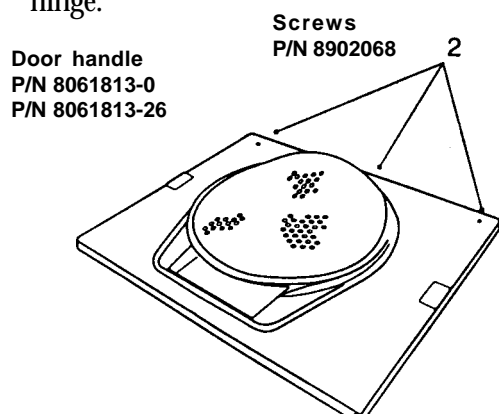
CHANGING THE DOOR MAGNET PLATE

1. Half unscrew the screws in the side of the front door.
2. **Door magnet:** Push the door magnet upwards and pull it outwards.
3. **Escutcheon plate:** Press the plate down and pull it outwards.
4. Install a new magnet/escutcheon plate and tighten the screws.



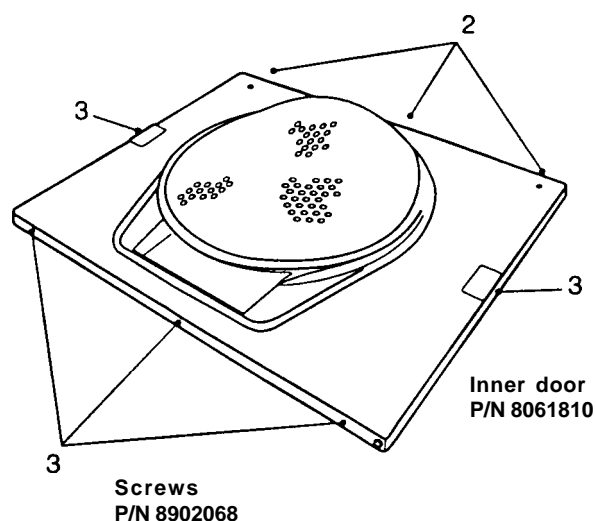
CHANGING THE DOOR HANDLE

1. Remove the three screws that secure the lower hinge and twist it free, lift off the front door.
2. Unscrew the three screws that secure the handle to the front door.
3. Align the new handle.
4. Secure the handle with the three screws.
5. Put the front door back on, keep it in position with the aid of the door magnet, and secure the hinge.



CHANGING THE INNER DOOR

1. Remove the front door.
2. Unscrew the handle.
3. Unscrew the two screws at the side of the front door and the three at the lower edge.
4. Lift out the inner door with the filter holder.
5. Align the new inner door to the front door.
6. Replace the screws at the sides and lower edge of the front door.
7. Fit the handle.
8. Put the front door back on, keep it in position with the aid of the door magnet, and secure the hinge.



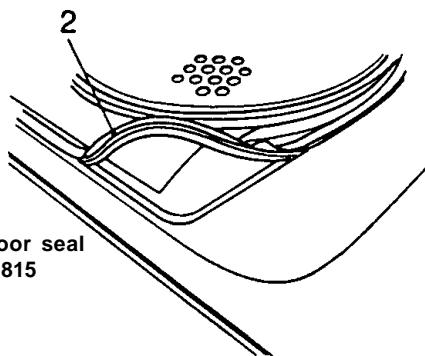
DOOR SEALS AND FILTER HOLDER

CHANGING THE OUTER DOOR SEAL

1. Open the front door.
2. Pull the seal out of its groove.
3. Fit a new seal. Press the seal firmly down into its groove. (Make sure the seal is correct. No part of the seal should miss the door.)

NOTE

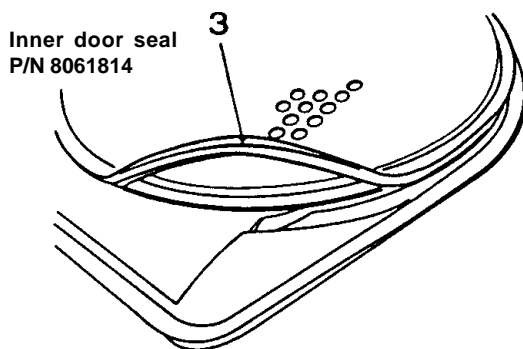
You can use soapy water to make installation easier.



Outer door seal
P/N 8061815

CHANGING THE INNER DOOR SEAL

1. Open the front door.
2. Open the filter holder.
3. Peel the strip off the edge.
4. Install a new strip by easing it around the edge.



Inner door seal
P/N 8061814

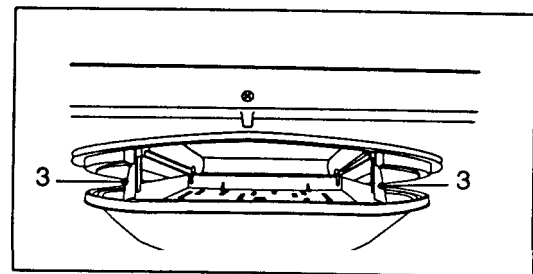
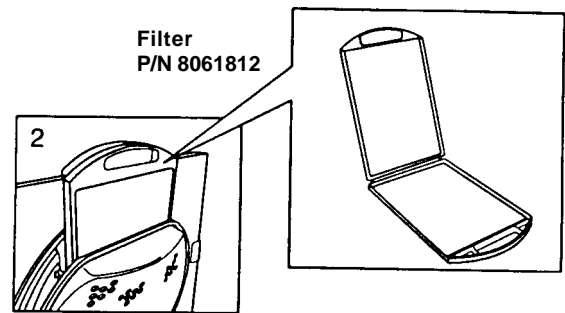
CHANGING THE FILTER HOLDER

1. Open the front door.
2. Pull out the filter holder and take out the double filter.
3. Squeeze the snap fasteners inwards while at the same time lifting the filter holder out of the inner door. Take care not to damage the filter holder when lifting it out.

NOTE

Clean the filter holder if necessary.

4. Install the filter holder by first inserting the snap fasteners at the top edge of the inner door.
5. Push in the lower edge.



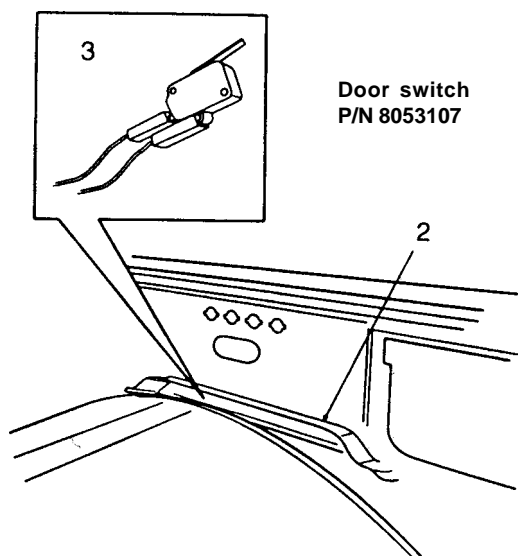
Filter holder
P/N 8061811

CHANGING THE DOOR SWITCH

1. Remove the top cover (see page 23).
2. Bend up the protective tabs.
3. Pry off the door switch with the aid of a screwdriver.
4. Transfer the wiring to the new door switch and connect it.
5. Bend down the protective tabs.
6. Replace the top cover.

IMPORTANT

Fit the pin so that it projects by 1/4 inch (11 mm).

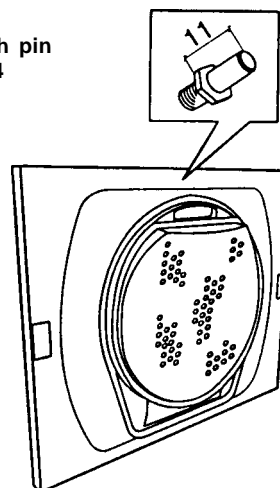
**CHANGING THE DOOR SWITCH PIN**

1. Drill a 4 mm diameter hole where the old pin was.
2. Fit a hinge pin (Part no. 80 618 04) into the hole.

IMPORTANT

Fit the pin so that it projects by 1/4 inch (11 mm).

Door switch pin
P/N 8061804

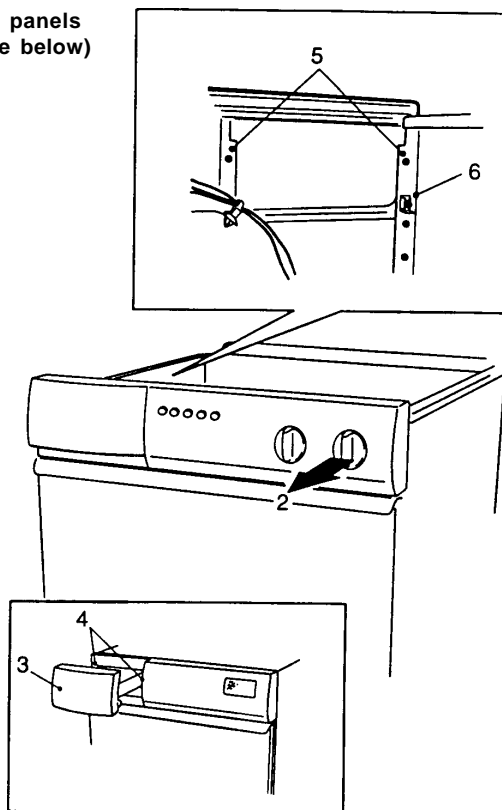


CONTROL PANEL

REMOVING THE CONTROL PANEL

1. Remove the top cover (see page 23).
2. **T700/720:** Turn the knob to its zero position and remove it from the panel. If you use a polygrip (mole wrench), remember to put some soft material in the jaws so as not to scratch the plastic.
3. **T720/780:** Pull out the water tank.
4. **T720/780:** Unscrew the two screws that secure the panel to the front rail.
T700/760: Unscrew the two screws securing the front rail.
5. Remove the four snap fasteners at the bottom edge by bending the clips apart with a 1/2" wide-blade screwdriver. Take care when bending the clips apart not to damage the plastic snap fasteners in the panel.
6. Unhook the panel.

Control panels
P/N (see below)



Control Panel Part Numbers:

T700: P/N 8063456-0-UL

T720: P/N 8063457-0-UL

T760: P/N 8063458-0-UL (wh)
P/N 8063458-69-UL (blk)

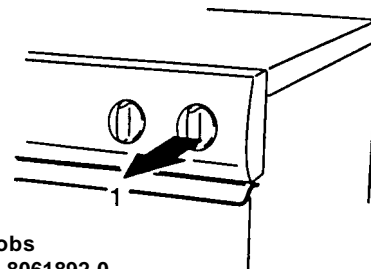
T780: P/N 8063459-0-UL (wh)
P/N 8063459-69-UL (blk)

REPLACING THE CONTROL PANEL

7. **T700/720:** Guide the panel over the programming buttons.
8. Hook on the top edge of the panel and snap closed the four snap fasteners at the bottom edge. Support the center with a screwdriver as the panel is pressed into place.
10. Replace the removed parts. Don't forget the two star washers for the outer screws when installing the top cover.

CHANGING THE KNOBS (T700/T720)

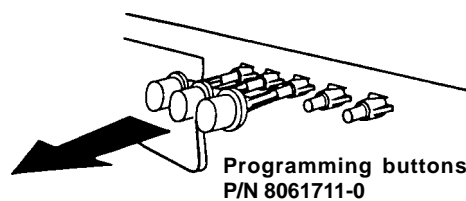
1. Turn the knob to its zero position and remove it from the panel. If you use a polygrip (mole wrench), remember to put some soft material in the jaws so as not to scratch the plastic.
2. Fit the new knobs.



Knobs
P/N 8061892-0

CHANGING THE PROGRAMMING BUTTONS (T700/T720)

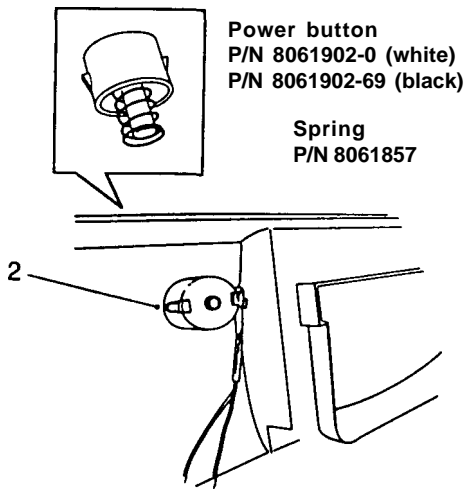
1. Remove the control panel.
2. Change the buttons. (The buttons sit free on the pushbutton switches.)
3. Replace the control panel.



Programming buttons
P/N 8061711-0

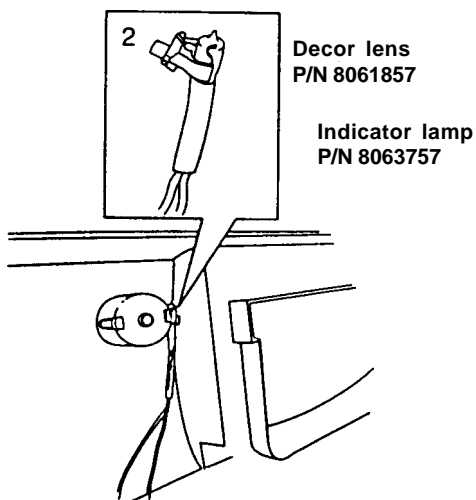
CHANGING THE MAIN POWER BUTTON (T760/T780)

1. Remove the control panel (see page 43).
2. Press in the latches with a screwdriver and pull out the button.
3. Ensure that the spring is located in the button before installing the new button.
4. Replace the control panel.



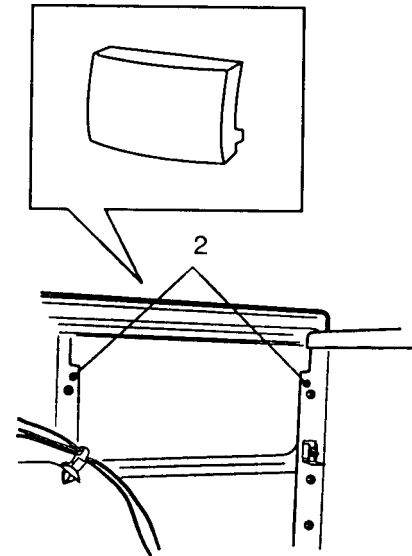
CHANGING THE INDICATOR LAMP/ SYMBOL LENS

1. Remove the control panel (see page 43).
2. Change the indicator lamp/symbol lens.
3. Replace the control panel.



REMOVING THE PANEL HANDLE (T700/T760)

1. Remove the top cover (see page 23).
2. Unscrew the two screws securing the front rail.
3. Pull the handle off.
4. Fit the new handle.
5. Replace the top cover. Don't forget the two star washers for the outer screws.



Note:

Remember that the panel handle for the T720/T780 is attached to the water containment drawer.

CONTROL PANEL

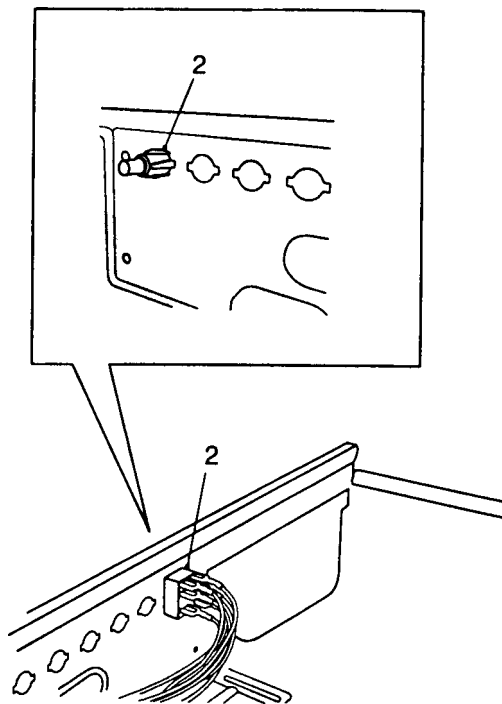
CHANGING THE PUSHBUTTON SWITCHES (T760/T780)

1. Remove the control panel (see page 43).
2. Grasp the switch inside the machine and pull it as you bend the wings at the front of the switch inward with a screwdriver.

IMPORTANT

Take care to connect the correct wire to the correct terminal.

3. Press in the new pushbutton and check that the wings open out.
4. Replace the control panel.



Main power button switch, cycle button switch,
and anti-crease button switch
P/N 8061875

Quick cool switch
P/N 8057941

Start button switch
P/N 8061877

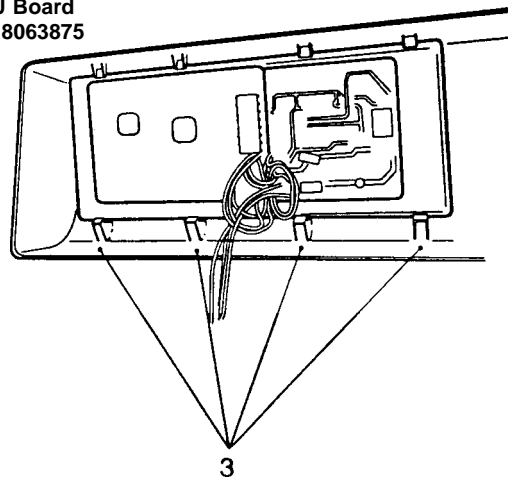
CHANGING THE PROCESSOR CONTROL UNIT (PCU) BOARD (T760/780)

WARNING

A grounded EMC wristband must be worn at all times when working with electronic components to prevent damage to them.

1. Remove the top cover (see page 23).
2. Remove the control panel (see page 43).
3. Remove the PCU board from the snap fasteners with the aid of a screwdriver.
4. Lift it out.
5. Install the new PCU board.
6. Replace the control panel.
7. Replace the top cover. Don't forget the two star washers for the outer screws.

PCU Board
P/N 8063875



Note:

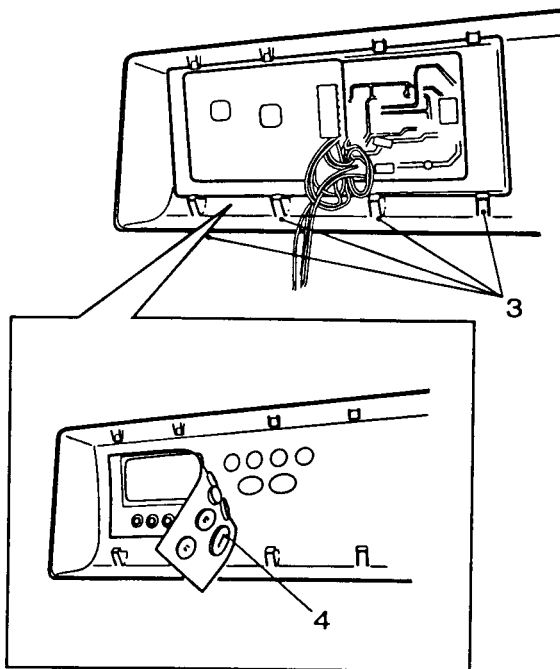
Be careful not to break the tabs that hold in the display unit.

CHANGING THE PUSHBUTTONS (T760/T780)

WARNING

A grounded EMC wristband must be worn at all times when working with electronic components to prevent damaging them.

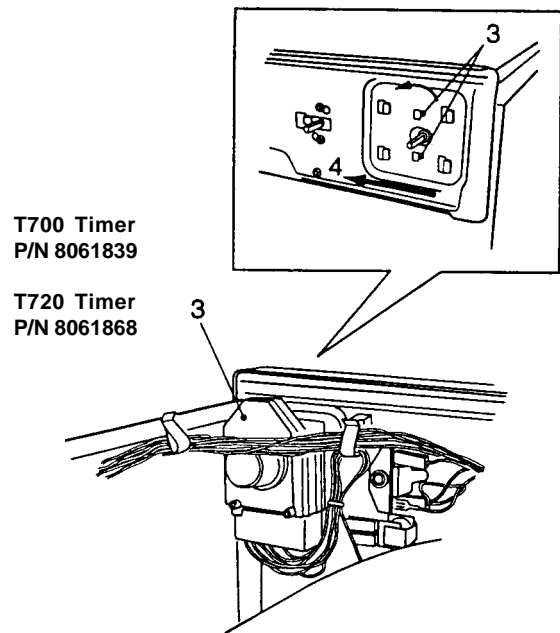
1. Remove the top cover (see page 23).
2. Remove the control panel (see page 43).
3. Remove the PCU board (see page 45).
4. Lift out the button sheet with the pushbuttons.
5. Install the pushbuttons. Take care when installing the pushbuttons to get them in the correct locations.
6. Replace the PCU board.
7. Replace the control panel.
8. Replace the top cover. Don't forget the two star washers for the outer screws.



Pushbuttons
P/N 8061864-0 (wh)
P/N 8061864-33 (blk)

REMOVING THE TIMER (T700/T720)

1. Remove the top cover (see page 23).
2. Turn the knob to its zero position and remove it from the panel. If you use a polygrip (mole wrench), remember to put some soft material in the jaws so as not to scratch the plastic.
3. Insert a screwdriver into one of the holes and press in the latch while slightly turning the timer. Do the same with the other latch.
4. Slide the timer sideways and pull it out.



T700 Timer
P/N 8061839

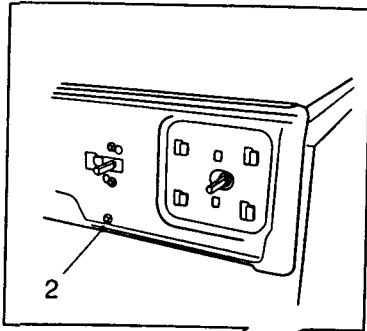
T720 Timer
P/N 8061868

REPLACING THE TIMER

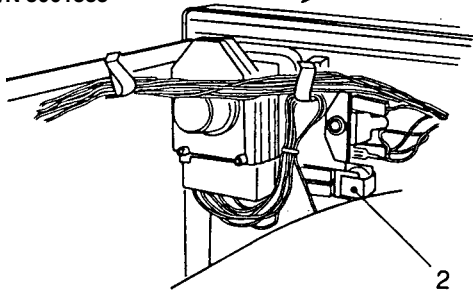
5. Position the timer in the holes in the front and main panels. (Fit the four hooks into the square holes in the front rail.) When changing the timer, ensure that the wires are connected correctly to the flat pin terminals.
6. Slide the timer sideways so it snaps into place.
7. Refit the knob.
8. Replace the top cover. Don't forget the two star washers for the outer screws.

CHANGING THE BUZZER (T700/T720)

1. Remove the control panel (see page 43).
2. Unscrew the buzzer.
3. Fit a new buzzer.
4. Replace the control panel.

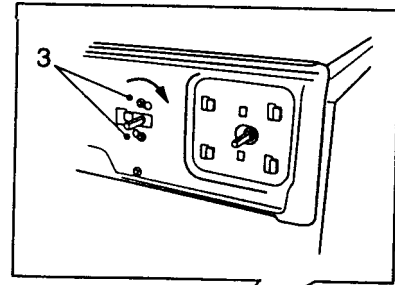


Buzzer
P/N 8061883

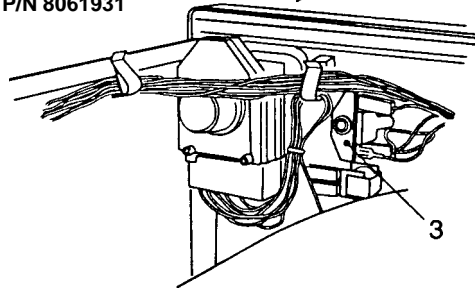


CHANGING THE ROTARY SELECTOR (T700/T720)

1. Remove the top cover (see page 23).
2. Turn the knob to its zero position and remove it from the panel. If you use a polygrip (mole wrench), remember to put some soft material in the jaws so as not to scratch the plastic.
3. Remove the screws. Turn the rotary selector and pull it backwards.
4. Remove the wiring.
5. Install the new rotary selector.
6. Replace the top cover. Don't forget the two star washers for the outer screws.



Rotary selector
P/N 8061931



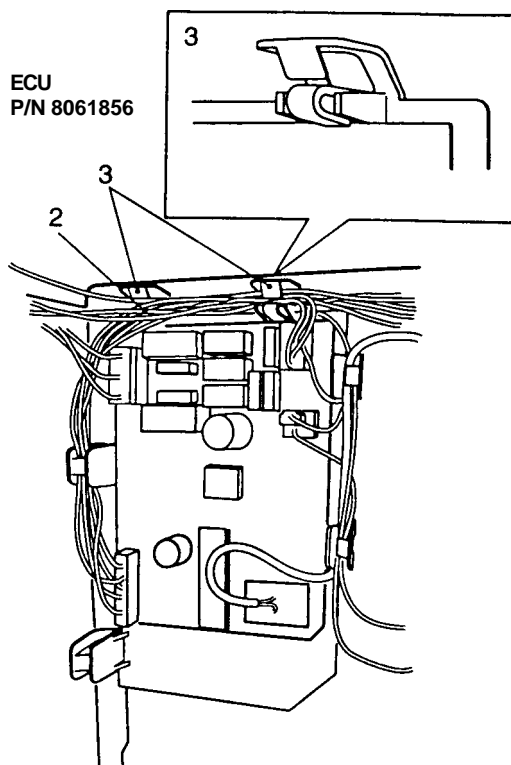
ELECTRONIC CONTROL UNIT

CHANGING THE ELECTRONIC CONTROL UNIT (ECU)

WARNING

A grounded EMC wristband must be worn at all times when working with electronic components to prevent damaging them.

1. Remove the top cover (see page 23).
2. Remove the wiring from the integral cable clamps in the electronic control unit holder.
3. Unclip the ECU from its holder.



4. Remove all the wiring.
5. Connect all the wiring to the new control unit.

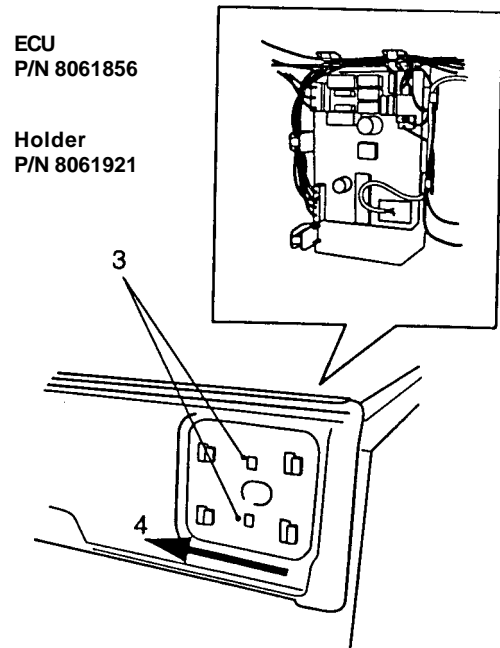
WARNING

Ensure that all wires and connection blocks are connected correctly. Wires are marked with board connections.

6. Snap the ECU into its holder.
7. Replace the top cover. Don't forget the two star washers for the outer screws.

REMOVING THE ELECTRONIC CONTROL UNIT WITH ITS HOLDER

1. Remove the top cover (see page 23).
2. Remove the control panel (see page 43).
3. Press in the two snap fasteners.
4. Slide the assembly sideways and remove it.
5. Remove the wiring.



REPLACING ELECTRONIC CONTROL UNIT AND ITS HOLDER

6. Install the wiring in accordance with its labels.
7. Align the holder to the front rail. Fit the four hooks into the square holes in the front rail.
8. Move the holder sideways so it snaps into place.
9. Replace the control panel.
10. Replace the top cover. Don't forget the two star washers for the outer screws.

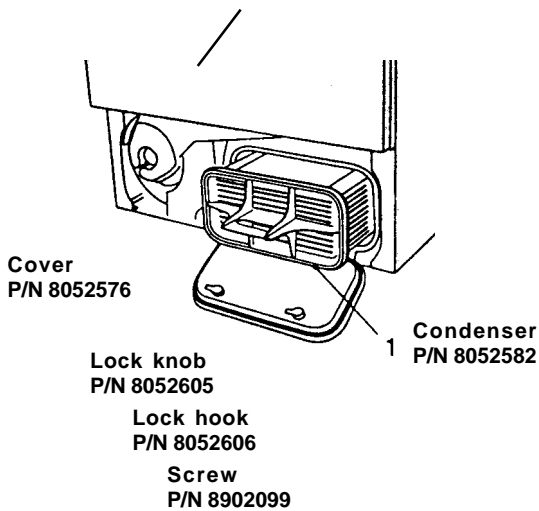
CONDENSER (T720/T780)

REMOVING THE CONDENSER

1. Remove the lower cover (see page 23).
2. Turn the levers on the condenser cover counterclockwise to release it then pull it down.
3. Pull out the condenser.

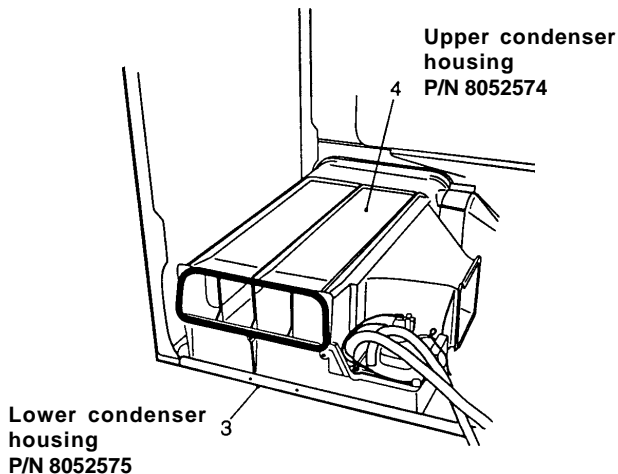
REPLACING THE CONDENSER

4. Making sure the side marked "UP" does face up, carefully slide the condenser into the housing.
5. Close the condenser cover and replace the lower cover.



REMOVING THE CONDENSER HOUSING

1. Remove the drum (see page 32).
2. Remove the external fan housing (see page 33).
3. Remove the snap fasteners with the aid of a screwdriver.
4. Lift out the condenser assembly.

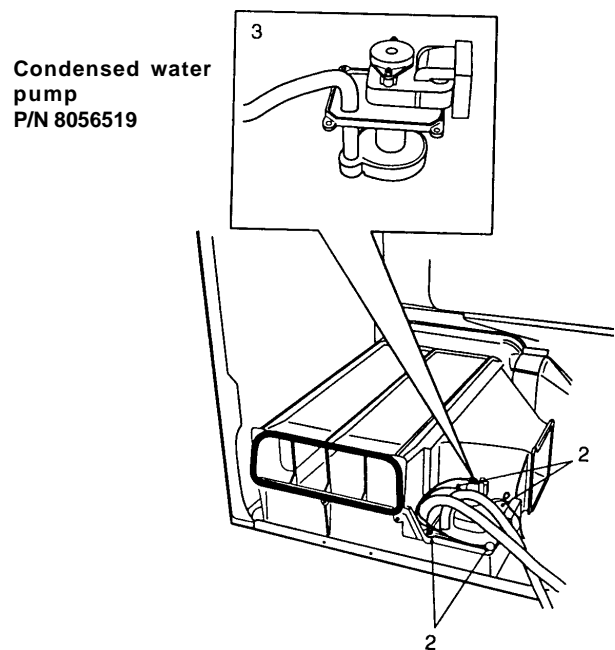


REPLACING THE CONDENSER HOUSING

5. Position the condenser housing on the bottom. Ensure that the condenser housing is secured to the bottom.
6. Replace the external fan housing.
7. Replace the drum.

CHANGING THE CONDENSED WATER PUMP

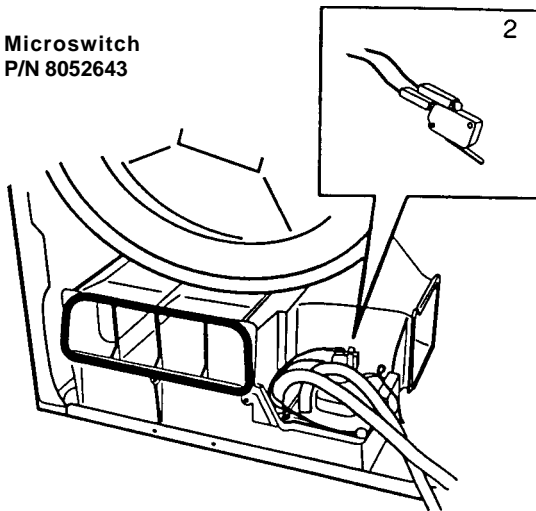
1. Remove the top cover (see page 23) and the rear panel (see page 26).
2. Remove the four screws that secure the pump.
3. Lift out the pump.
4. Secure the new pump with the four screws.
5. Replace the rear panel.



CHANGING THE MICROSWITCH FOR THE CONDENSED WATER PUMP

1. Remove the rear panel (see page 26).
2. Remove the wiring and the microswitch.
3. Check for power and ohms.
4. Fit the new microswitch.
5. Replace the rear panel.

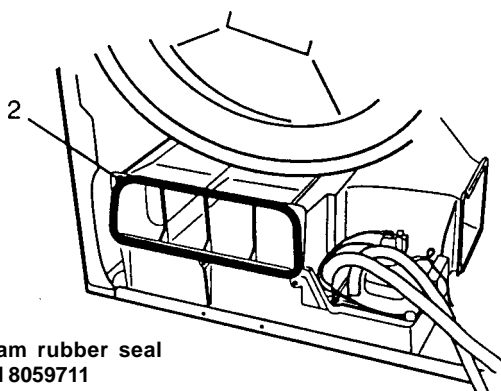
Microswitch
P/N 8052643



CHANGING THE FOAM RUBBER SEAL

1. Remove the rear panel (see page 26).
2. Change the seal.
3. Replace the rear panel.

Foam rubber seal
P/N 8059711



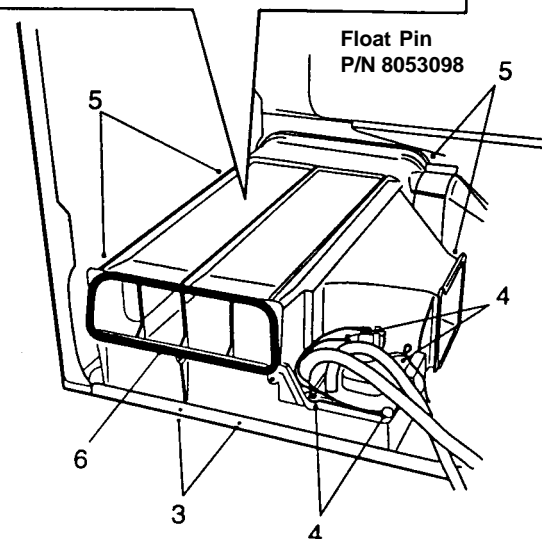
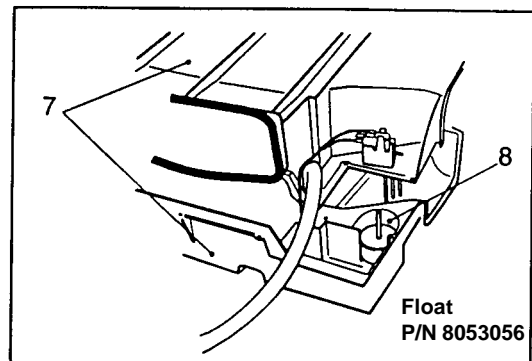
CHANGING THE FLOAT

1. Remove the drum (see page 32).
2. Remove the external fan housing (see page 33).
3. Remove the snap fasteners with the aid of a screwdriver and lift out the condenser assembly.
4. Remove the four screws that secure the condensed water pump.
5. Remove the seven screws from around the edge.
6. Remove the foam rubber seal.
7. Take apart the two halves of the housing.
8. Change the float.
9. Screw the housing halves together.

NOTE

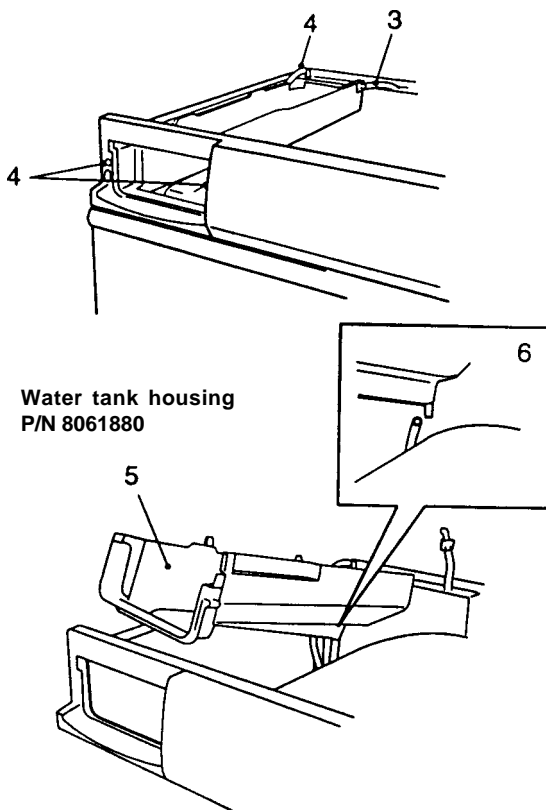
We recommend changing the foam rubber seal every time the housing is dismantled.

10. Replace the external fan housing.
11. Replace the drum.



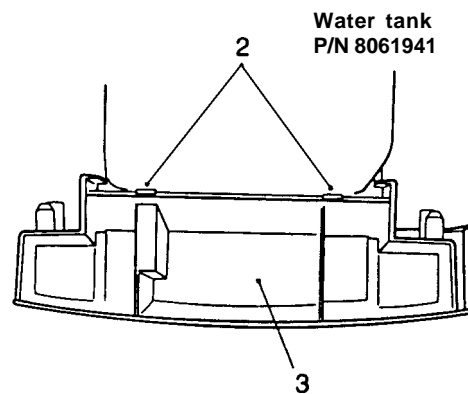
CHANGING WATER TANK HOUSING

1. Pull out the water tank.
2. Remove the top cover (see page 23).
3. Remove the hoses.
4. Unscrew the two screws in the control panel and the screws in the rear panel.
5. Push the housing back and lift it out.
6. Align the housing to its correct position.
7. Secure it to the panel and the rear panel.
8. Refit the hoses.
9. Replace the top cover. Don't forget the two star washers for the outer screws.
10. Replace the water tank.



CHANGING THE WATER TANK HANDLE

1. Pull out the water tank.
2. Remove the two plastic clips on the underside of the tank with the aid of a screwdriver.
3. Pull the handle off the tank.
4. Install the new handle by threading it through the groove in the container. Press it to snap it into place.
5. Refit the water tank.



Note:

It may not be necessary to change the water tank handle when you change the control panel.

SIDE PANELS

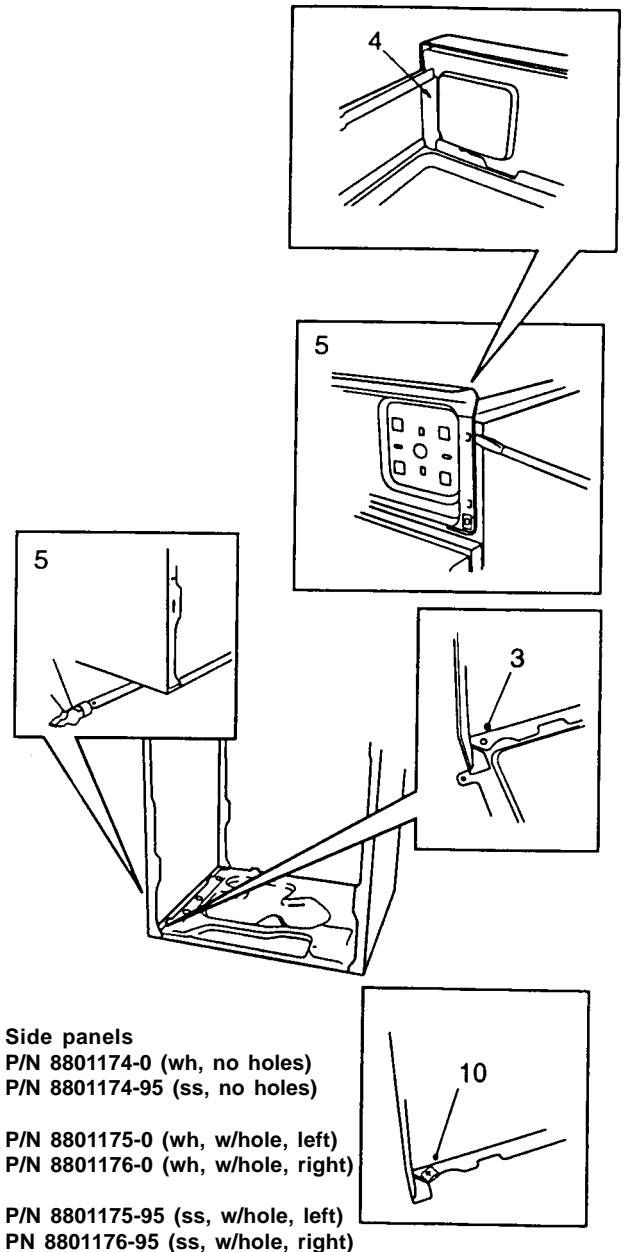
CHANGING THE SIDE PANELS

1. Remove the front panel (see page 25).
2. Remove the control panel (see page 43).
3. **Early models:** the hole is marked out on the bottom.
Early models: the hole is marked out on the front rail.
4. Using a narrow chisel, cut off the rivet heads (7) and break those on the front rail off with a screwdriver (2).
5. Lift away the side panel.
6. File or grind smooth the places where the rivets were in the bottom and use a polygrip to flatten the front rail.

WARNING

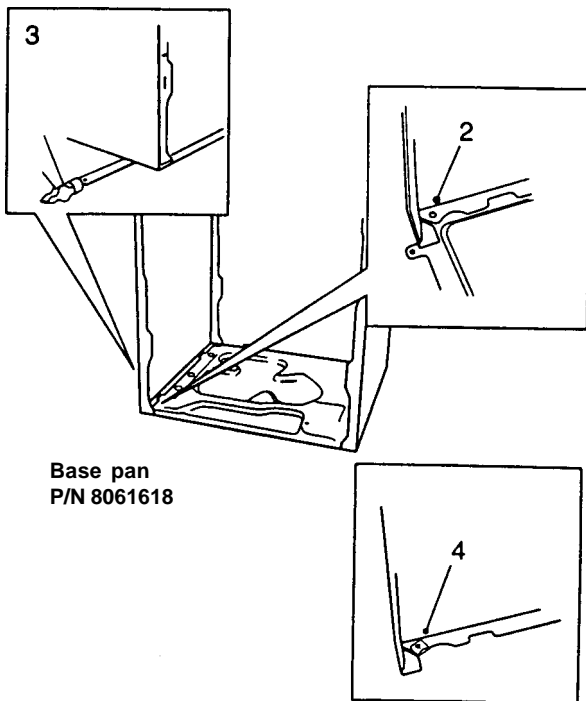
The edges of the bottom and the front rail where the rivets were placed must be completely flat and smooth.

7. **Early models:** Drill a 1/2" diameter hole in the bottom at the marking.
Early models: Drill a 3/16" diameter hole in the front rail at the marking.
8. Install three clips at the bottom of the side panels.
9. Screw the side plates to the bottom from underneath and to the front rail.
10. Replace the front panel.
11. Replace the control panel.



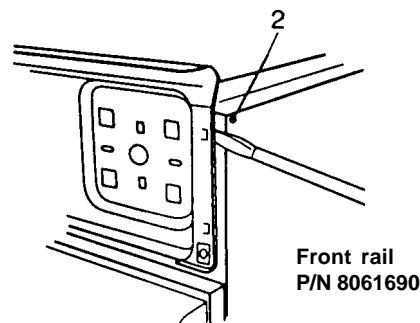
CHANGING THE BASE PAN

1. Remove the condenser housing (see page 49).
2. **Early models:** the hole is marked out on the base pan.
3. Cut off the rivets between the base pan and side panels.
4. Install six clips along the bottom edge of the side panels.
5. **Early models:** Drill a 1/2" diameter hole in the base pan at the marking.
6. Screw the side plates to the base pan from underneath.
7. Replace the condenser housing.

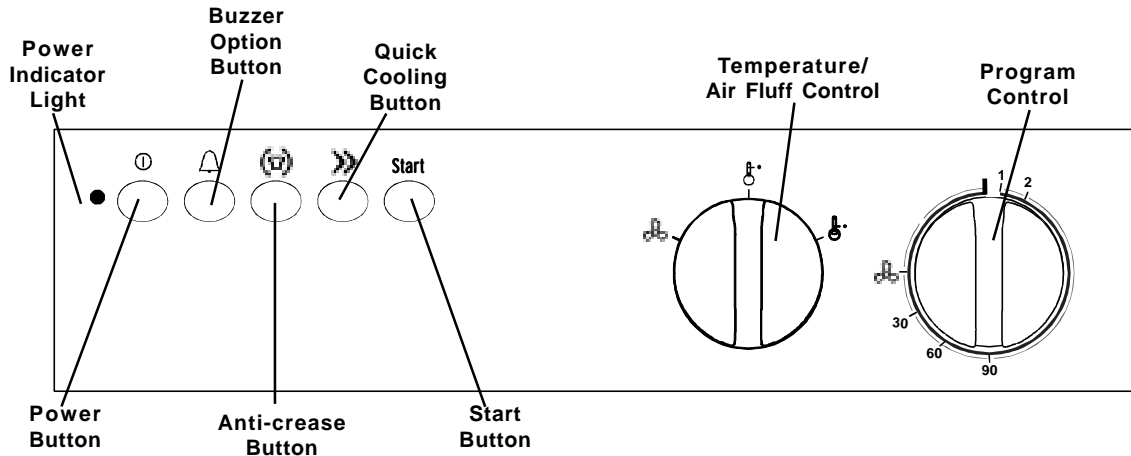


CHANGING THE FRONT RAIL

1. Remove the control panel (see page 43).
2. **Early models:** the hole is marked out on the front rail.
3. Remove the rivets with a screwdriver and flatten with a polygrip.
4. **Early models:** Drill a 3/16" diameter hole in the front rail at the marking.
5. Secure the new front rail.
6. Replace the control panel.



T700 CONTROL PANEL



POWER BUTTON

The Power button turns the power to the machine on and off. When the power is on, the power indicator light glows red. The power must be on before you can start the machine.

START BUTTON

This button starts the dryer. If you open the door during a program, the dryer will stop tumbling automatically. To continue the program, close the door and press Start.

PROGRAM CONTROL

This model has two preset programs:

- [1] **Extra Dry** – for heavy items, such as jeans or thick towels
- [2] **Normal Dry** – for cottons, permanent press, synthetics, etc.

These programs work with a thermostat that measures the exhaust temperature coming out of the dryer and automatically turns the machine off when the clothes are appropriately dry.

Timed Drying (30, 60 or 90 minutes)

If you prefer, you can set the Program Control knob to a specific number of minutes to dry the laundry. When you choose timed drying, you must set the Temperature Control to Normal or Low.

Air Fluff Program

The Air Fluff program is designed to shake dust out of fabrics, air them, or soften them.

TEMPERATURE CONTROL

Normal

This temperature setting should be used for heavier fabrics, such as denim, cotton, linen, etc.

Low

This temperature setting should be used for lighter, more delicate fabrics, such as synthetics, permanent press, acrylics, etc.

Air Fluff

This setting does not activate the heating element. It simply circulates the air as the clothes tumble to shake out the dust and refresh the clothes.

OPTIONS

Buzzer

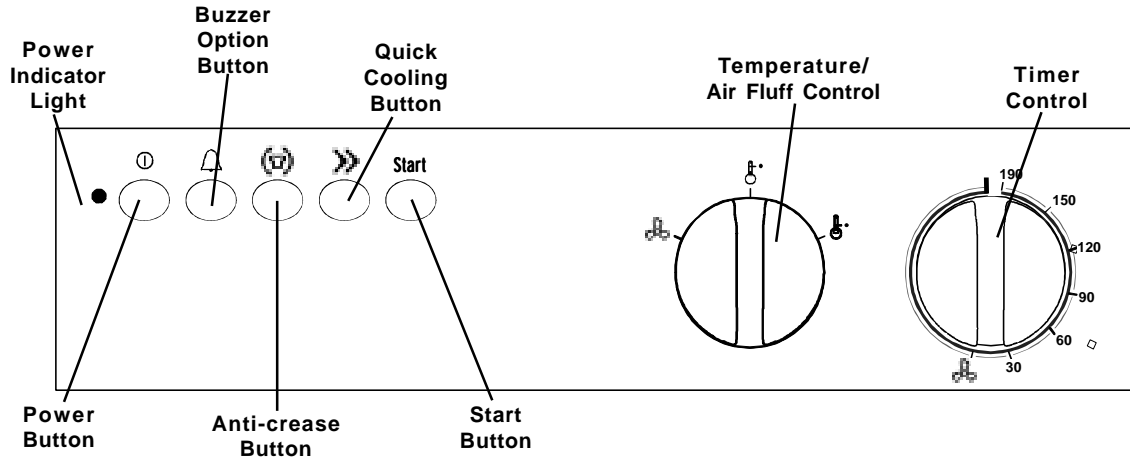
You can turn the buzzer on or off. If you turn the it on, it will sound for three seconds when the program is complete.

Anti-crease

This option is designed to prevent garments from wrinkling when you're unable to remove them from the dryer right away. When you select this option, after the drying program is complete the drum will continue to rotate for three seconds every minute until the door is opened or one hour has passed. If the buzzer is on, it will sound each time the anti-crease program activates.

Quick Cooling

This option reduces the cool-down time from 18 minutes to 9 minutes. Quick cooling can not be selected with the Anti-crease option.



POWER BUTTON

The Power button turns the power to the machine on and off. When the power is on, the power indicator light glows red. The power must be on before you can start the machine.

START BUTTON

This button starts the dryer. If you open the door during a program, the dryer will stop tumbling automatically. To continue the program, close the door and press Start.

TIMER CONTROL

Use this knob to set the number of minutes you want to dry the laundry.

Air Fluff

This setting does not activate the heating element. It simply circulates the air as the clothes tumble to shake out the dust and refresh the clothes.

TEMPERATURE CONTROL

Normal

This temperature setting should be used for heavier fabrics, such as denim, cotton, linen, etc.

Low

This temperature setting should be used for lighter, more delicate fabrics, such as synthetics, permanent press, acrylics, etc.

Air Fluff

This setting does not activate the heating element. It simply circulates the air as the clothes tumble to shake out the dust and refresh the clothes.

OPTIONS

Buzzer

You can turn the buzzer on or off. If you turn the it on, it will sound for three seconds when the program is complete.

Anti-crease

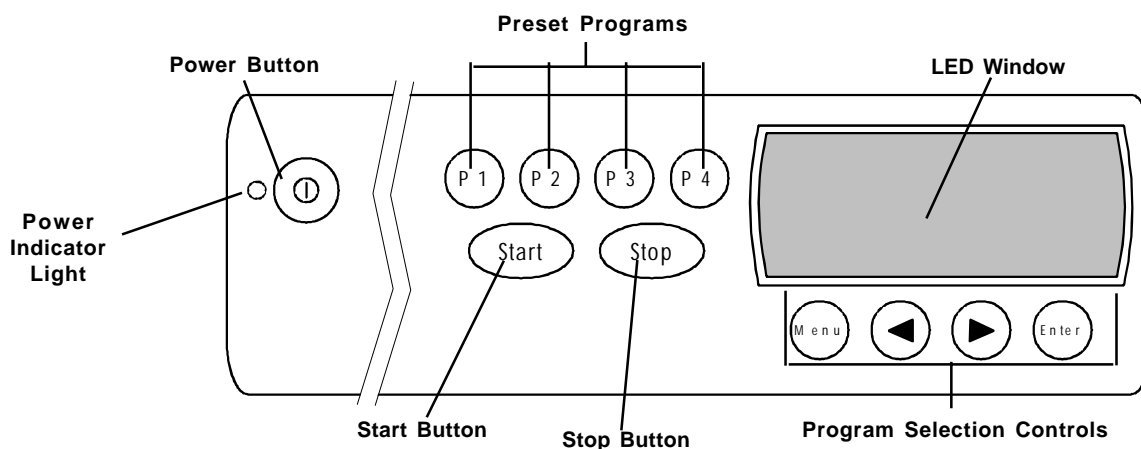
This option is designed to prevent garments from wrinkling when you're unable to remove them from the dryer right away. When you select this option, after the drying program is complete the drum will continue to rotate for three seconds every minute until the door is opened or one hour has passed. If the buzzer is on, it will sound each time the anti-crease program activates.

Quick Cooling

Each dry program ends with a cool-down phase. This option reduces the cool-down time from 18 minutes to 9 minutes. Quick cooling can not be selected with the Anti-crease option.

T760 AND T780 CONTROL PANELS

Models T760 and T780 have ASKO's state-of-the-art EasyControl™ panel, as illustrated below. To select a program, simply press one of the preset program buttons then press Start. Refer to "Preset Programs" on page xx for a definition of these programs.



POWER BUTTON

The Power button turns the power to the machine on and off. When the power is on, the power indicator light glows red. The power must be on before you can set the programs or start the machine.

START BUTTON

This button starts the dryer. If you open the door during a program, the dryer will stop tumbling automatically. To continue the program, close the door and press Start.

STOP BUTTON

Press this button for three seconds to stop a program. If you stop the dryer this way, however, it cancels the program in progress. You will have to select a new program to restart.

PRESET PROGRAMS

There are four preset programs, as defined in the table below. To select a program, simply press one of the program buttons and press Start. For additional programming options, refer to the *Use and Care Guide*.

With ASKO's Sensidry™ system, you need never worry about overdrying your laundry. Just select the proper program for the type of fabric you're drying and Sensidry does the rest. Once you select a program, Sensidry monitors the temperature and measures the humidity level. When it detects the appropriate measurements, it automatically shuts off the machine.

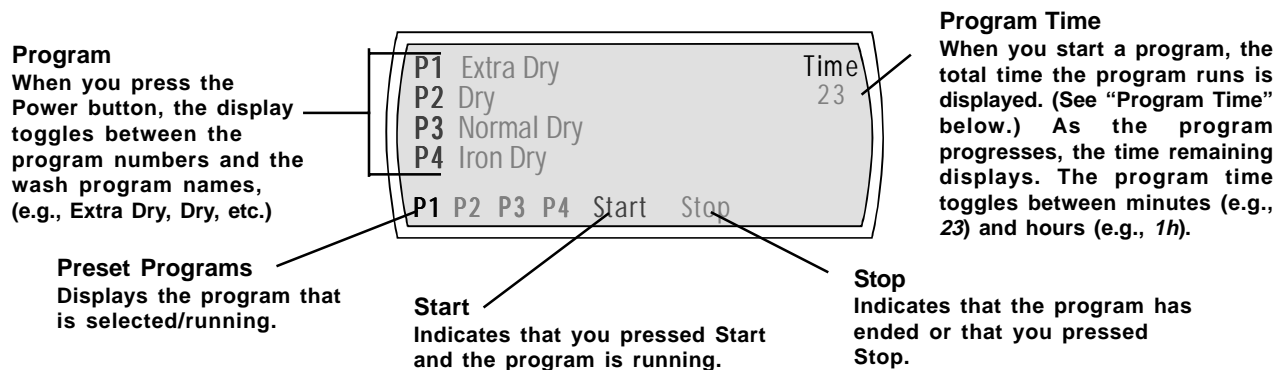
IMPORTANT

Tricot fabrics are more likely than any others to shrink. Do not use the Extra Dry program for this material. Stretch out the garments immediately after drying.

PROGRAM NUMBER	PROGRAM	DEFINITION
P1	Extra Dry	This program is for fabrics that are particularly difficult to dry, such as jeans with very thick seams.
P2	Dry	This program switches off the heating element when the laundry is dry, but not overdry. This program switches off the heating later than Normal dry. Experiment with these to find what suits you best.
P3	Normal Dry	This program switches off the heating element when the laundry is dry, but not overdry.
P4	Iron Dry	This program switches off the heating element when the laundry is still damp enough for ironing.

UNDERSTANDING THE LED WINDOW

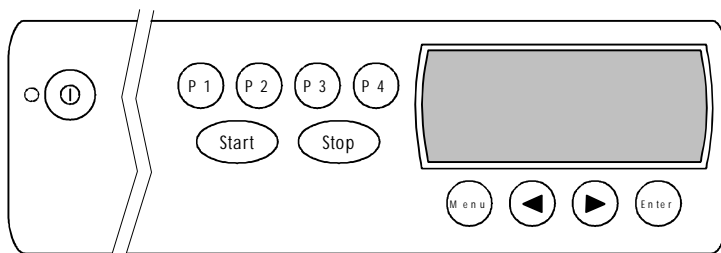
The LED window is easy to read and understand. The illustration below explains what each item on the LED window is. The LED window also displays the menus and options available when you customize the preset programs. Refer to page xx for more details.



CUSTOMIZING THE PRESET PROGRAMS

Below are the basic instructions for changing a preset program. The following page explains the menus and options and how to navigate through them.

1. Press the button for the preset program you want to change (P1–P4). The program you select will display in the lower left corner of the LED window.
2. Press MENU to display different program and option settings.
3. Press the Arrows to move forward or backward through the menu settings.
4. Press ENTER to choose your selection.



PROGRAM TIME

The program time is calculated based upon the time it took to dry the last load using the program selected. The remaining drying time displayed is roughly calculated and shown (within four minutes after the program starts) in five-minute steps.

RESTORING A PRESET PROGRAM

To restore a preset program to its original settings, simply press the button for the preset program you want to restore and hold it down while your press ENTER. The program will revert to its original settings.

NOTE

If you don't want to make changes in all the menu headings, you can go on to the next heading without changing anything. To do this, press the MENU button to advance to the next menu. When you are in the Options menu, you press ENTER to advance to the next option.

NAVIGATING THE MENUS

The following paragraphs explain how to navigate through the menus and change the preset programs. If you don't want to make changes in all of the menus, continue to press MENU until the one you do want to change displays.

To restore a preset program to its original settings, simply press the button for the preset program (P1–P4) you want to restore and hold it down while you press ENTER. The program will instantly revert to its original settings.

We recommend that you make two or three trial changes to understand how easy it is to customize these program.

Remember, the first step to customizing a preset program is to press the button for the program you want to customize (P1–P4).

The Program Menu

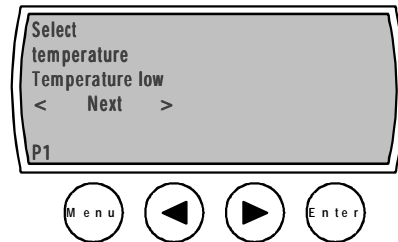
The Program menu lets you set the dry program you prefer. You would also use this menu to set the machine for a Timed Dry or Air Fluff program. (See “Timed Dry and Air Fluff” on this page.)



1. Use the Arrow buttons to move through the program choices (Extra Dry, Dry, Normal Dry, etc.)
2. When your preference displays, press ENTER. The LED will display the new program setting. Press MENU to advance to the next menu or press START to begin the program.

The Temperature Menu

This menu lets you set the dry temperature. Only the temperatures available for the dry program you selected will display.

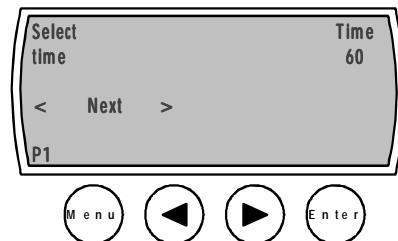


1. Use the Arrow buttons to toggle between the Normal and Low temperature settings.
2. When the setting you prefer displays, press ENTER. The LED will display the new temperature setting.

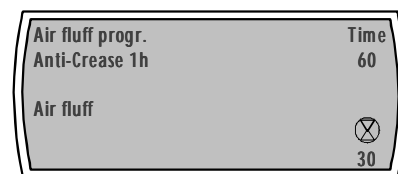
Press MENU to advance to the next menu or press START to begin the program.

Timed Dry and Air Fluff

When you select Timed Dry or Air Fluff on the program menu, the word “Time” and a number (of minutes) will flash in the upper right corner of the LED window. This indicates you must select a program time (5 to 90 minutes).



1. To change the number, simply press an Arrow button until the length of time you want the program to run displays.
2. Press ENTER to program your change. Press MENU to advance to the next menu or press START to begin the program. When you press START, the time remaining for the program to run displays in the bottom right-hand corner of the LED window, as illustrated below:

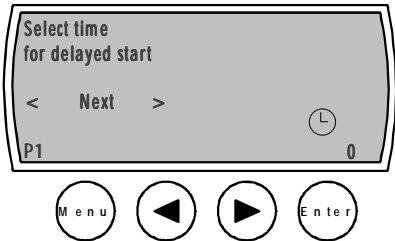


The remaining time toggles between the minutes remaining (e.g., 23) and the hour(s) remaining (e.g., 1h).

The Delayed Start Program

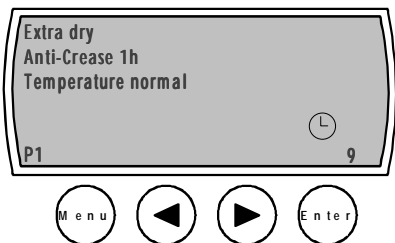
This program lets you delay starting the dryer for up to 12 hours. This feature is useful in areas where utility companies offer discount rates during certain hours.

When you select Delayed Start on the program menu, you must select a delay time (1 to 12 hours).



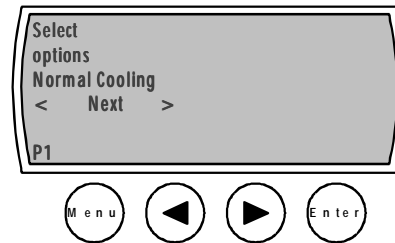
1. In the bottom right corner of the LED window, a clockface and a zero will flash. To change the zero, simply press an Arrow button until the number of hours you want to delay starting the program displays (1–12 hours).
2. Press ENTER to program your change.

Press MENU to advance to the next menu or press START to begin the program. When you press START, the clockface and the hours you set for the delay will display, as illustrated below:



The Options Menu

This menu lets you set several options (such as, turning the buzzer off and on, setting the anti-crease run time, etc.) Only the options available with the program you selected will display.



1. On this menu, you press ENTER to advance through the options.
2. Press an Arrow button to toggle between Off and On.
3. When your preference displays, press ENTER. The LED will display the new options.

Press MENU to advance to the next menu or press START to begin the program.

The table below lists the options available with each dry program. The options are defined on the next page.

OPTIONS AVAILABLE WITH EACH PROGRAM

Programs	Available Options
Extra Dry	Normal Cooling (20 min.) or Quick Cooling (15 min.); Buzzer On/Off; 0–3 hr. Anti-crease; Normal or Low Temperature, 1–12 hr. Delay Start
Dry	Normal Cooling (20 min.) or Quick Cooling (15 min.); Buzzer On/Off; 0–3 hr. Anti-crease; Normal or Low Temperature, 1–12 hr. Delay Start
Normal Dry	Normal Cooling (20 min.) or Quick Cooling (15 min.); Buzzer On/Off; 0–3 hr. Anti-crease; Normal or Low Temperature, 1–12 hr. Delay Start
Iron Dry	Normal Cooling (20 min.) or Quick Cooling (15 min.); Buzzer On/Off; 0–3 hr. Anti-crease; Normal or Low Temperature, 1–12 hr. Delay Start
Air Fluff	5–90 min. cycle time; Buzzer On/Off; 0–3 hr. Anti-crease
Timed Dry	All drying programs; 5–90 min. cycle time; Normal Cooling (20 min.) or Quick Cooling (15 min.); Buzzer On/Off; 0–3 hr. Anti-crease; Normal or Low Temperature; 1–12 hr. Delay Start

OPTIONS

Normal

This temperature setting should be used for heavier fabrics, such as denim, cotton, linen, etc.

Low

This temperature setting should be used for lighter, more delicate fabrics, such as synthetics, permanent press, acrylics, etc.

Air Fluff

This setting does not activate the heating element. It simply circulates the air as the clothes tumble to shake out the dust and refresh the clothes.

Buzzer

You can turn the buzzer on or off. If you turn the it on, it will sound for three seconds when the program is complete.

Anti-crease

This option is designed to prevent garments from wrinkling when you're unable to remove them from the dryer right away. When you select this option, after the drying program is complete the drum will continue to rotate for three seconds every minute until the door is opened or one hour has passed. If the buzzer is on, it will sound each time the anti-crease program activates.

Quick Cooling

Each dry program ends with a cool-down phase. This option reduces the cool-down time from 18 minutes to 9 minutes. Quick cooling can not be selected with the Anti-crease option.

CHANGING THE LANGUAGE ON THE LED WINDOW

There are eleven languages available for the LED window:

- | | |
|--------------|---------------|
| ■ English | ■ Swedish |
| ■ French | ■ Danish |
| ■ Spanish | ■ Norwegian |
| ■ Portuguese | ■ Netherlands |
| ■ Italian | ■ Finnish |
| ■ German | |

To change the language, follow the steps below:

1. Turn the machine off then on again.
2. Press ENTER five times in succession then press P1 five times. (This must be done within 15 seconds.)
3. When the Language menu displays, press an Arrow button to advance through the menu to the desired language.
4. Once the correct language displays, press ENTER to program the LED window to display the language you selected.

CHILD-SAFE START

As a safety measure, you can program the T760 and T780 not to start unless the Start button is held down for three seconds. To do this, follow the steps below:

1. Turn the machine off then on.
2. Press ENTER five times, then press P3 five times. (This must be done within 15 seconds.)
3. "Delayed start" displays with "0" flashing in the lower right corner. Press the Right Arrow button to toggle the display to "3."

Child-Safe Menu Button

Please note that when you set the child-safe Start button, the Menu button is *automatically* programmed to delay for three seconds before it becomes active. This prevents a child from accidentally changing the program settings.

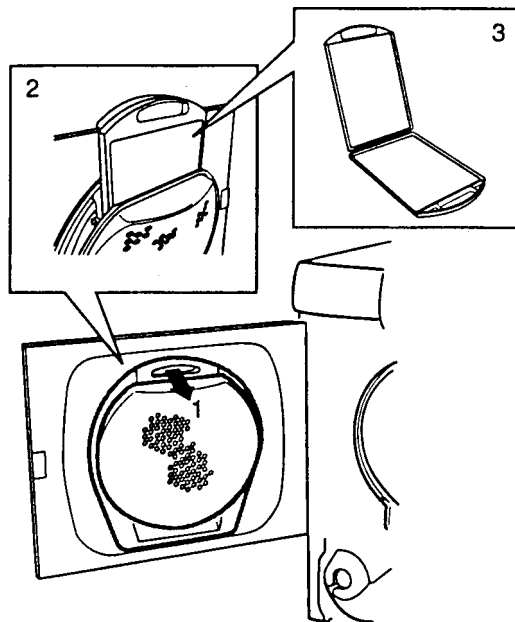
When you want to change a program, press the Menu button for three seconds to activate the menus. The Menu button will work normally (without the three-second delay) until you have completed your changes. If it is not pressed for two minutes, it will automatically revert back to the child-safe mode.

CLEANING THE LINT FILTER

The lint filter should be cleaned after every tumble-drying session.

If you have very hard water the lint filter may collect a layer of scale. Check when you are cleaning fluff out of the filter if scale is present, and if so, wash the scale off by hand.

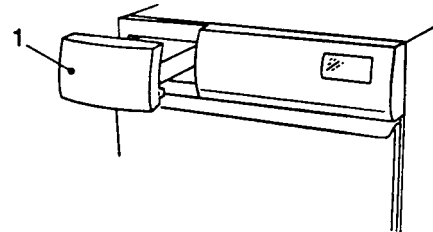
1. Take hold of the filter handle and pull it towards you.
2. Lift the filter out of its holder.
3. Open the filter and pick off the fluff with your hand. Then rinse the filter to remove any scale.
4. Fold the filter and put it back into the holder.



EMPTYING THE CONDENSED WATER CONTAINER (T780)

The condensed water tank should be emptied after every tumble-drying session (this does not apply if the condensed water hose is connected directly to the drain).

1. Pull out the condensed water tank, empty out the water and put the tank back.



If the condensed water tank overfills, the program is interrupted and the error message "Overfill" appears on the display. Empty the tank and press the START button to resume the program from where it was interrupted, see also "Fault tracing."

Important

Do not pull out the condensed water tank while the dryer is running.

CLEANING THE OUTSIDE OF THE MACHINE

It's important not to let dust collect around the machine. Keep the area around the dryer clean and dry; the presence of dust, heat and damp all prolong the drying time.

Clean the outside of the dryer and the program panel with a mild detergent. **Do not use any kind of solvent**, this can damage the machine. Don't drench the machine in water, either.

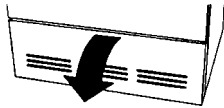
CLEANING AND MAINTENANCE

CLEANING THE FAN

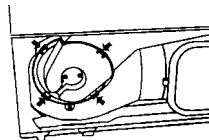
The fan should be cleaned at least once a year. If you have pets, you should clean it more often. To clean the fan, follow the steps below:

1. Turn off the main power to the machine.

2. Remove the two 20 torx screws on the bottom of the front panel then grasp the side and pull it forward and down.



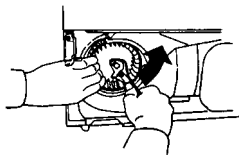
3. Unscrew the 10 torx safety screw on the bottom of the fan cover and fold out the four tabs.



4. Remove the fan cover.



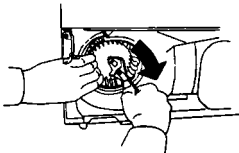
5. Hold the fan in place while you unscrew the nut.



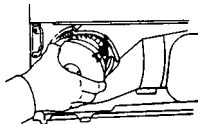
6. Pull out the fan and clean it with a brush and water.



7. Replace the fan and screw the nut securely.



8. Replace the fan cover and fold the lugs back into place. Replace the safety screw.



9. Replace the front panel.

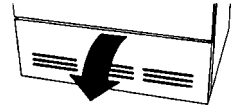
10. Turn back on the main power.

CLEANING THE CONDENSER (T720/T780)

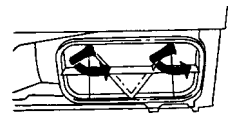
The condenser should be cleaned on a regular basis, at least two to three times a year. If you have pets, you should probably clean it more often. To clean the condenser, follow the steps below:

1. Turn off the main power to the machine.

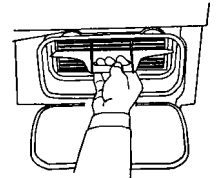
2. Remove the lower cover by grasping the side and pulling it forward and down.



3. Turn the levers on the condenser cover counter-clockwise to release it then pull it down.



4. Pull out the condenser.



5. Spray the fins with warm water until all the lint is removed.



WARNING!

Do not put the condenser into a dishwasher. Do not use any sharp metal objects or a wire brush to clean the condenser. Also, do not poke anything between the fins.

6. Make sure the side marked "UP" does face up and carefully replace the filter into the unit.



7. Replace the condenser cover and the front panel.

8. Turn back on the main power.

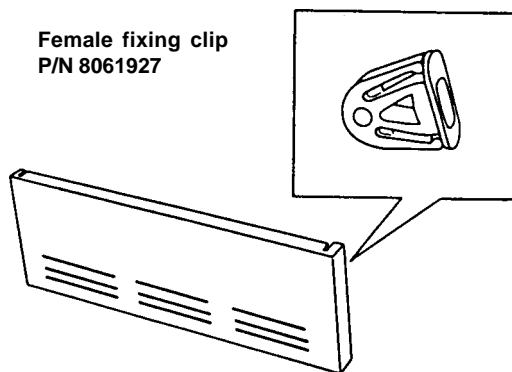
APPENDIX A

FIXING CLIPS FOR LOWER COVER

To make removal of the lower cover simpler, you can replace the screws with fixing clips. To do this, follow the instructions below:

FEMALE FIXING CLIP

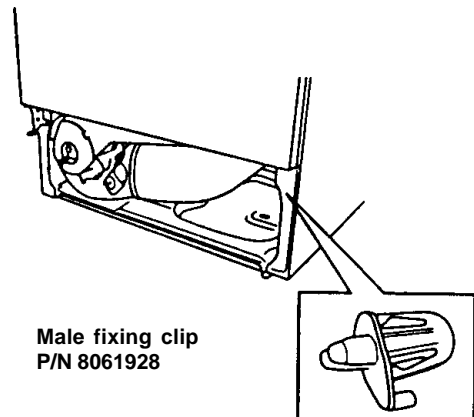
1. Remove the lower cover (see above).
2. Squeeze the snap fasteners and push the clip into the hole on the cover until it snaps into place.



MALE FIXING CLIP

T700/T760, Left T720/T780:

1. Remove the lower cover (see this page).
2. Squeeze the snap fasteners and push the clip into the hole on the lower frame until it snaps into place.
3. Replace the lower cover.



Right T720/T780:

1. Remove the lower cover.
2. Remove the condenser and condenser housing (see page 48).
3. Push the clip into the hole on the lower frame until it snaps into place.
4. Replace the condenser and condenser housing.
5. Replace the lower cover.

INDEX

A

Air exhaust connection	4
Air fluff, programming	57
ASKO Advisory Center	2

B

Base pan	52
Bearing	27
Built-in installation	6
Buttons (T700/T720)	42
Buzzer	16, 46

C

Capacitor	33
components and measurement values ...	15
Child-safe menu button	59
Child-safe start button	59
Cleaning and maintenance	60, 61
Cleaning the dryer	60
Components and measurement values ..	15–17
Condensation drain connection	5
Condensed water container, emptying	60
Condensed water pump	15, 48, 49
Condenser (T720/T780)	48, 49
cleaning	61
Condensing dryers (T720/T780)	3
Consumption values	19, 20
Contactors	15, 30
Control knobs (T700/T720)	42
Control panel	42–44
handle	43
indicator lamp	43
knobs (T700/T720)	42
main power button (T760/T780)	43
processor control unit (PCU)	44
programming buttons (T700/T720) ...	42
pushbutton switches	44
T700	53
T720	54
T760 and T780	55
Cosmetic damage	4
Customizing the preset programs	56

D

Delayed start, programming	58
Disposal	2

Door	38, 39
hinges, reversing	10
magnet plate	39
seals	40
switch	16, 41
Drain connection (T720/T780)	5
Drive belt	31
Drum	31
special tool	22
Drum frame, front	37
Drum paddles	31
Dryer features	11
Dryer specifications	4
Drying process	3

E

Electrical connections	8, 9
four-wire power cord	9
three-wire power cord	8
Electronic control unit (ECU)	47
Error messages (T760/T780)	18
Exhaust hose connection	4
Exhaust vents	34
External rear fan housing	32
External rear fan wheel	32

F

Fan	
cleaning	61
external rear	32
Fault tracing	13
Felt seal, front	37
Felt strip seal, rear	27
special tool	22
Filter holder	40
Float for condenser	49
Foam rubber seal	
for rear panel	26
for condenser	49
Four-wire power cord	9
Freestanding installation	6
Front drum frame	37
Front felt seal	37
Front frame	37
Front panel	24
Front rail	52
Fuse	30

Fuse holder/insert 30

H

Handle
 door 39
 panel 43
 Heating element 28
 components and measurement values ... 17
 Heating sequence
 T700 and T760 16
 T720/T780 17
 Hinge pin 38
 Hinge socket 38
 Hinges, reversing 10
 Humidity sensor (T760/T780) 15, 35

I

Indicator lamp 15, 43
 Inner door 39
 Input terminal block 29
 Installation 4–10
 built-in 6
 electrical connections 8
 free-standing 6
 stacked 7

K

Knobs (T700/T720) 42

L

Languages, changing the LED 59
 LED window (T760/T780) 16, 56
 changing the language 59
 Lint filter, cleaning 60
 Lint filter holder 40
 Lower (bottom) cover 23
 fixing clips 62

M

Main power button 43
 Maintenance 60, 61
 Menus, programming 57
 Microswitch for water pump 49
 Model number cross reference 2
 Motor 33
 components and measurement values ... 15

O

Options menu 58
 Overflow protection device 15
 Overflow error message 18
 Overheat protection 12
 Overheat protection thermostat 15, 28

P

Panel handle 43
 Panels
 front 24
 rear 25
 rear inner and outer 26
 side 51
 Part numbers 15
 Power button 43
 Power cord connection 8
 Preset programs (T760/T780) 55
 customizing 56
 restoring 56
 Processor control unit (T760/T780) ... 16, 44
 Program menu (T760/T780) 57
 Program options 58
 Programmer (T700/T720) 16
 Programming buttons (T700/T720) 42
 Pushbutton switches (T760/T780) 44
 Pushbuttons (T760/T780) 45

R

Radio interference filter 15, 29
 Rear bearing 27
 Rear panel 25
 changing foam rubber seal 26
 inner and outer 26
 Rear felt strip seal 27
 Rear outlet hose connection 4
 Restoring a preset program 56
 Reversing the door hinges 10
 Ribs, drum 31
 Roller, support 37
 Rotary Selector 46

S

Safety regulations 2
 Sensor error message 18
 Side panels 51
 Special tools 22

Specifications	4
Stacked installation	7
Support roller	37
Switch, door	41
Switches, pushbutton	44
Symbol lens (light)	43

T

T-tube	34
T700 control panel	53
T720 control panel	54
T760 and T780	
control panel	55
customizing the preset programs	56–59
LED display window	56
menus	57
navigating the menus	57
preset programs	55
Temperature menu	57
Test program (T760/T80)	18
Thermistor (T760/T780)	15, 36
error message	18
Thermostat (T700/T720)	15, 36
Three hours error message	18
Three-wire power cord	8
Timed dry, programming	57
Timer (T700/T720)	45
Tools and application areas	21, 22
Top cover	23
Transport	2

V

Vented dryers (T700/T760)	3
Ventilation duct connection (T720/T780) ...	5
Vents	34

W

Wash programs	58
Water container, emptying	60
Water pump	15, 48, 49
Water tank	50
Winter storage	2