

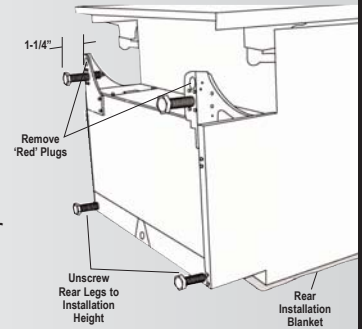
Installation Time Savers

UNIT PREPARATION

1
step

Adjust the leveling legs

- Before installation, place blanket on floor and roll dishwasher onto its back
- Measure the height from the floor to the underside of the counter
- Dishwasher is 32 1/4" high without leveling legs
- Adjust leveling legs so dishwasher is slightly lower than countertop and level with floor
- Once the unit is in place, the rear legs can be adjusted with an Electrolux leg adjustment tool



Connect the braided hose

NOTE: Use of rigid, copper tubing will make it more difficult to install and position the dishwasher in the cabinet.

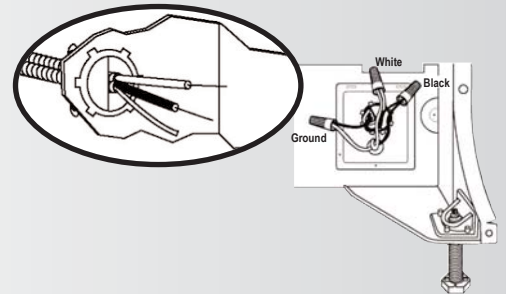
- Use flexible braided hose to connect water supply to dishwasher (Electrolux service part number 5304416563) (60" length for most installations)

2
step

INSTALLATION

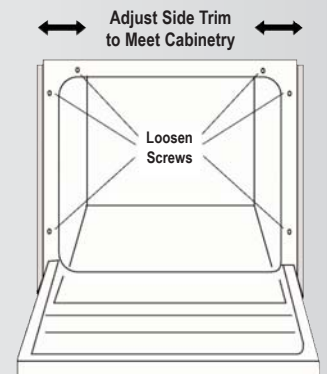
Make the electrical connections

- Install UL listed strain relief clamp at junction box
- Feed house wiring through back of junction box
 - Connect like color wires to like color terminals



Secure the dishwasher

- Front face of door should be aligned with cabinet door surface
- Make sure dishwasher is centered in cabinet opening
- For additional stability, use side mounts in addition to top mounting locations
 - Use magnetic screwdriver to hold screw while feeding it through side trim
- With door open, adjust trim by loosening and extending to cabinet edge
- If installed correctly, door and switch will be underneath countertop lip



3
step

4
step

Finally, to complete the Electrolux experience, fill the dishwasher rinse aid reservoir and recommend its use to the consumer!