

# IMPORTANT

## Do Not Return This Product To The Store

If you have a problem with this product, please contact the "Haier Customer Satisfaction Center" at 1-877-337-3639.

DATED PROOF OF PURCHASE, MODEL # AND SERIAL # REQUIRED FOR WARRANTY SERVICE

# IMPORTANT

## Ne pas renvoyer cet appareil au magasin.

Si vous avez un problème avec cet appareil, veuillez contacter le service à la clientèle de Haier au 1-877-337-3639.

IL EST OBLIGATOIRE DE FOURNIR UNE PREUVE D'ACHAT DATÉE, LE NUMÉRO DU MODÈLE ET SON NUMÉRO DE SÉRIE AFIN DE BÉNÉFICIER DE LA COUVERTURE DE LA GARANTIE.

# IMPORTANTE

## No Devuelva Este Producto al Establecimiento Compra.

Si tiene problemas con este producto, por favor póngase en contacto con el "Centro Haier de Atención al Cliente" en el 1-877-337-3639.

PARA EL SERVICIO DE GARANTÍA SE REQUIERE PRUEBA DE COMPRA, FECHADA, No. DE MODELO Y No. DE SERIE

As an ENERGY STAR® Partner, Haier America has determined that this product meets the ENERGY STAR® guidelines for energy efficiency.

En tant que partenaire ENERGY STAR®, Haier America a déterminé que cet appareil répond aux normes ENERGY STAR® sur le rendement et l'efficacité énergétique.

Como Socio de ENERGY STAR® Partner, Haier America ha determinado que este producto cumple con los lineamientos de ENERGY STAR® en lo referente a eficiencia energética.



Haier America  
New York, NY 10018

ESD100  
Issued: September-02

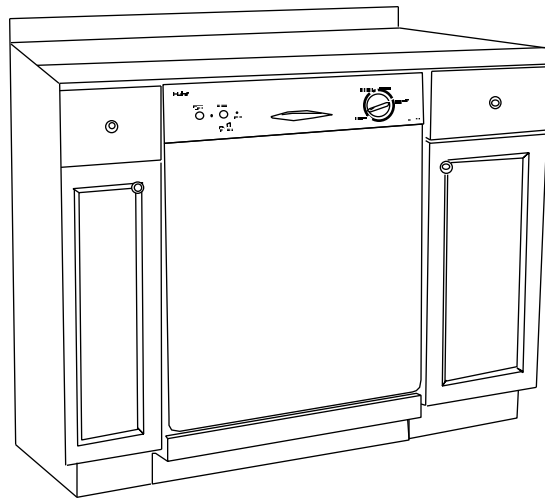
part # DW-9999-02

Printed in China



**What The World Comes Home To™**

## Built-In Dishwasher



**Lave-Vaisselle  
Encastrable**

**Lavaplatos  
Empotrable**



***User Manual-***

*Model #*

***Guide de l'Utilisateur-***

*Modèle #*

***Manual del Usuario-***

*Modelo #*

**ESD100**

# IMPORTANT SAFETY INSTRUCTIONS

**Warning – To reduce the risk of fire, electric shock, or injury to persons when using your appliance, follow basic precautions, including the following:**

1. **Read all instructions before using the appliance.**
2. Use this appliance only for its intended purpose as described in this use and care guide.
3. Use only automatic dishwashing detergent and rinse agent recommended for use in this appliance and keep them out of the reach of children because they are corrosive and can be harmful.
4. This appliance must be properly installed in accordance with the installation instructions before it is used.
5. Never unplug your appliance by pulling on the power cord. Always grasp the plug firmly and pull straight out from the outlet.
6. Replace immediately worn power cords, loose plugs/power outlets.
7. Unplug your appliance before cleaning or before making any repairs.
8. Do not open the dishwasher door immediately after completion of wash process or during the operation as hot air/steam may cause personal injury. Press the door latch, wait few seconds by allowing cold air to go in and then open the door.
9. Do not operate your appliance in the presence of explosive fumes.
10. Do not add or mix any flammable or explosive substances to the wash.
11. Appliance loading door must be closed during the operation of the machine.
12. Do not operate your appliance when parts are missing or broken.
13. Do not use this appliance for commercial dishwashing purpose.
14. Do not operate this appliance unless all enclosure panels are properly in place.
15. Do not tamper with controls.
16. To reduce risk of injury do not allow children to play in or on the appliance. Close supervision of children is necessary when the appliance is used near children.
17. This appliance must be connected to proper electrical outlet with the correct electrical supply.
18. Proper grounding must be ensured to reduce the risk of shock and fire. **DO NOT CUT OR REMOVE THE GROUNDING PLUG.** If you do not have a three-prong electric receptacle outlet in the wall, have a certified electrician install the proper receptacle. The wall receptacle **MUST** be properly grounded.

19. Hydrogen gas may be produced if the water heater has not been used in more than 2 weeks. This could be explosive and can explode under certain circumstances. If this is the case, turn on all the hot faucets and let the hot water run for a few minutes before using this appliance. This will let the trapped hydrogen escape. To avoid an accident, as hydrogen gas is flammable and can explode, do not turn on an electric appliance, smoke, light a match/lighter or use a flame.
20. Do not repair or replace any part of the appliance or attempt any servicing unless specifically recommended in the user-repair instructions that you understand and have skills to carry out.
21. To reduce the risk of electric shock or fire, do not use extension cords or adapters to connect the unit to electrical power source.
22. Do not wash any heat sensitive or any other items that are not designed for automatic dishwasher. Items not dishwasher safe could become deformed or melt and create a potential fire hazard.
23. Do not use this dishwasher outdoors.
24. Do not leave the dishwasher door open to dry dishware while children are around the counter top. Close supervision and observation needed when children are around the dishwasher.
25. Do not abuse, sit on or stand on the door or dish rack of the dishwasher.
26. Do not touch the heating element during or immediately after use, as it may be very hot.
27. Load sharp objects such as knives and forks upside down to reduce the risk of cut type injuries.
28. Do not wash plastic items unless they are marked dishwasher safe. Check the manufacturer's recommendations for items not marked.
29. Do not load sharp items near the door; you could damage the door seal.
30. When removing an old dishwasher from service or discarding it, remove the front door.
31. Disconnect electrical power and water inlet hose to dishwasher before servicing.

**SAVE THESE INSTRUCTIONS**

## Table Of Contents

	PAGE
SAFETY INSTRUCTIONS .....	1-2
Knowing Your Dishwasher .....	4-6
Using Your Dishwasher .....	7-16
Understanding The Filtration System .....	17
Dishwasher Safe or Hand Wash .....	18-20
Care & Cleaning Of Your Dishwasher .....	21
Troubleshooting.....	22-26
Warranty .....	27

Thank you for purchasing our Haier product. This easy-to-use manual will guide you in getting the best use of your dishwasher.

Remember to record the model and serial number. They are on a label in back of the dishwasher.

---

*Model number*

---

*Serial number*

---

*Date of purchase*

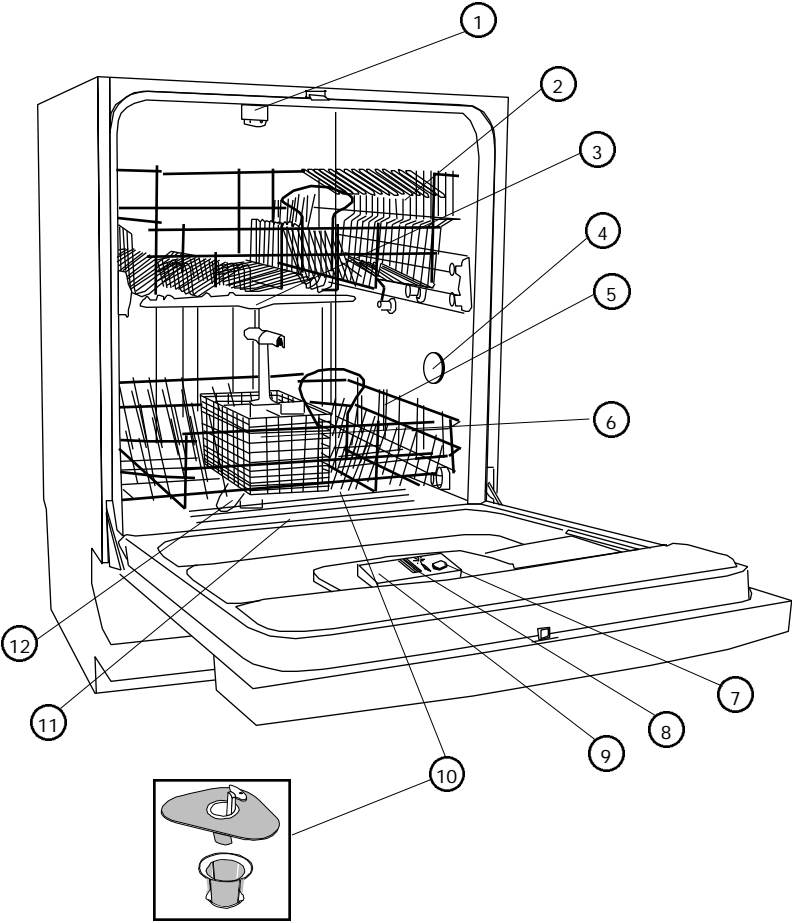
Staple your receipt to your manual. **You will need it to obtain warranty service.**

All figures in this use & care manual are for illustration purposes only. The illustrated parts shown in figures may be different on the actual unit. Specifications and features are subject to change without prior notice.

# Knowing Your Dishwasher

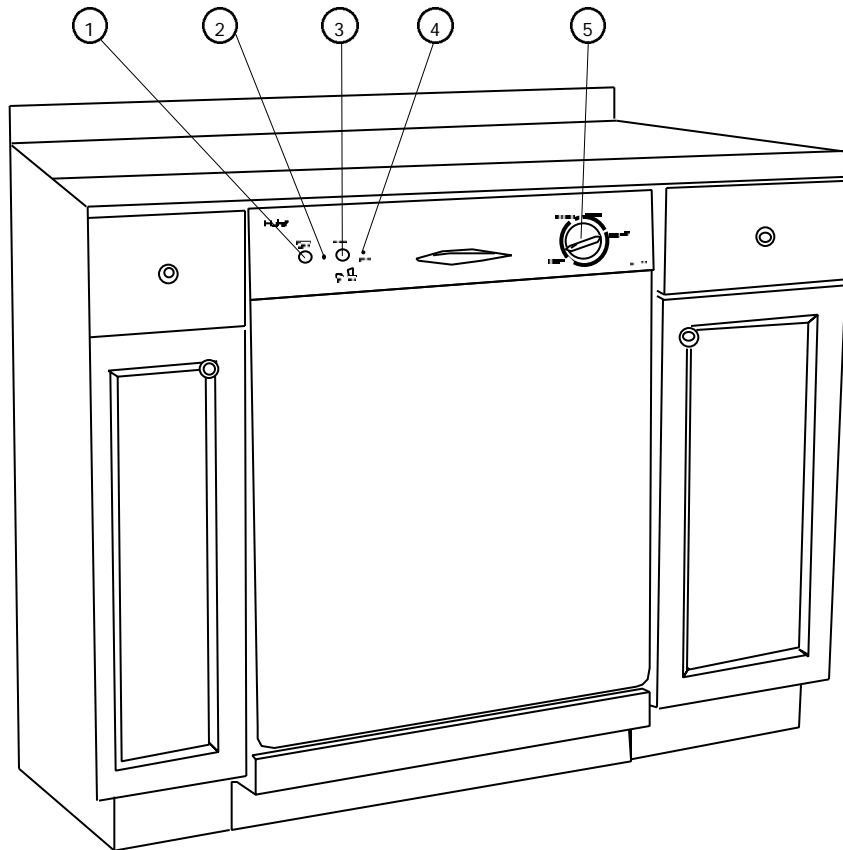
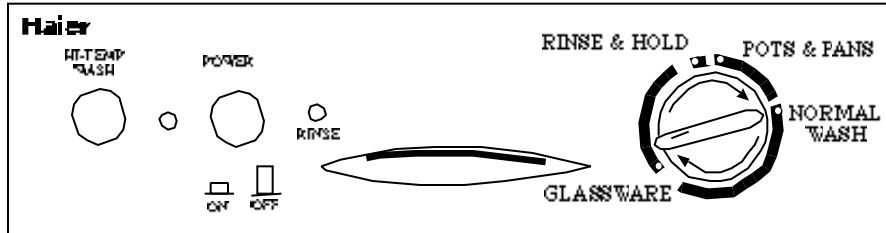
## Parts and Features

(Front View with Open Door)



- 1. Upper Sprayer
- 2. Deluxe 2 Position Adjustable Upper Rack with Stemware Holders
- 3. Middle Spray Arm
- 4. Pressure Relief Valves (One located at the upper left corner (not shown))
- 5. Lower Rack
- 6. Removable Split Silverware Basket
- 7. Rinse Aid Compartment
- 8. Pre-Wash Detergent Compartment
- 9. Main Wash Detergent Compartment
- 10. Triple Filtration System (Located at the bottom under Lower Rack)
- 11. Heating Element (Located at rear and under lower rack)
- 12. Lower Spray Arm

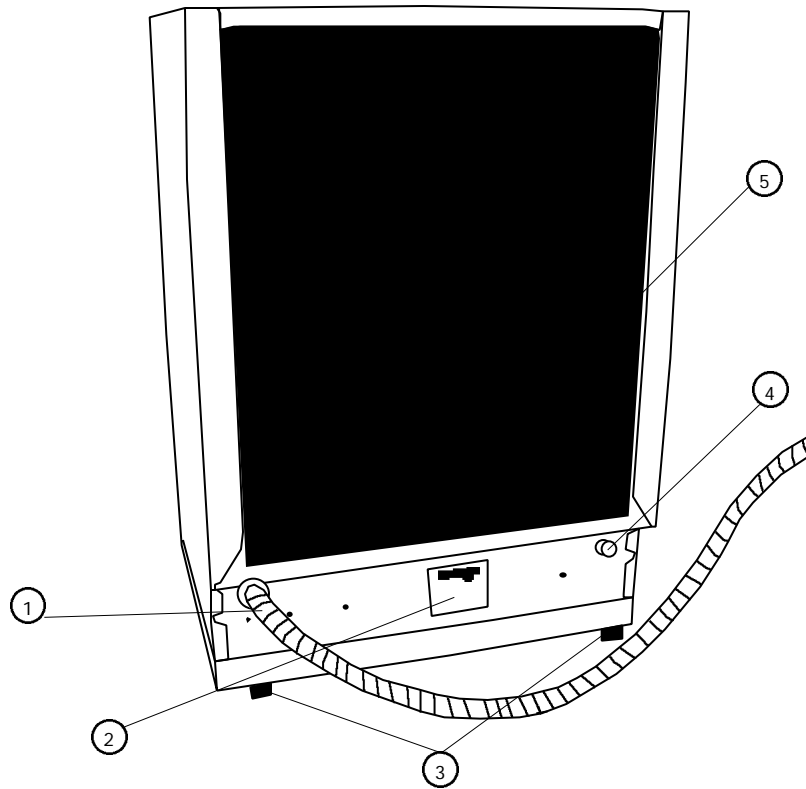
(Front View with Door Closed)



- 1. Hi-Temp Wash Button (On/Off)
- 2. Power On Indicator Light
- 3. Power Button (On/Off)

- 4. Rinse Check Indicator Light
- 5. Wash Selector Knob

(Rear View)



1. Drain Hose (Factory Attached)
2. Electrical Connection Junction Box  
(120v/60Hz - Plug not Included)
3. Rear Leveling Legs
4. Water Inlet
5. Rear Insulation Panel



# Using Your Dishwasher

## Understanding the Dishwasher Control Panel:

### Power Button:

- Press "POWER" button in to turn the power "ON".
- Press this button again to turn the power "OFF".

**Note:** You will see the "Power On Indicator Light" lit when the unit is on.

POWER



### Hi-Temp Wash Button:

- Press "HI-TEMP WASH" button in to turn the "HI-TEMP WASH" option "ON".
- Press this button again to turn the "HI-TEMP WASH" option "OFF".

HI-TEMP  
WASH



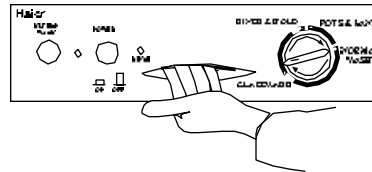
### "Rinse " Indicator Light:

- When "RINSE " indicator light is lit, this means the rinse aid detergent is empty in the rinse aid compartment. You need to refill rinse aid at this time.

RINSE

### Door Latch:

- To lock the door, push the door with light force until you hear the "Click."
- To unlock the door, squeeze the door latch and pull towards you.



### Wash Selector Knob:

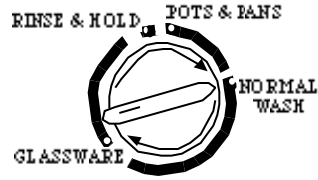
- When selecting a wash cycle, turn the knob "CLOCKWISE" to your desired setting by matching the knob "Pointer" symbol to the cycle "dot" symbol. Once both are lined up, press "Power" button to begin the wash process. (You will hear "Click" and the wash cycle will start automatically.) A "Click" will signify the automatic start at the wash cycle.



**Warning:** The wash selector knob is designed to work only in a clockwise direction. DO NOT turn the knob "COUNTER CLOCKWISE." Turning in a counter clockwise direction may cause damage to the wash selector.

## Selecting Wash Cycles

- Select the appropriate cycle based on the load and soil level. For your convenience, the dishwasher has Pots & Pans, Normal, Glassware and Rinse & Hold wash cycles that you can select from.



### Pots & Pans Wash Cycle:

- This cycle is used for heavily soiled pots & pans, cookware, dishware, silverware and glassware items with dried-on or baked-on soils.

**Note:** This cycle may not remove burned-on foods.

### Normal Wash Cycle:

- This cycle is used for medium or heavily soiled dishware, glassware and silverware.

### Glassware Wash Cycle:

- This cycle is used for lightly soiled glassware, chinaware, pre-rinsed dishes and silverware.

### Rinse & Hold Cycle:

- This cycle is used for rinsing partial loads that will be washed later.

**Note:** Do not use detergent with this cycle.

## Selecting Wash Option

### Hi-Temp Wash:

- You can select this option with Pots & Pans, Normal or Glassware wash cycles.

**Note:** Do not use this option with Rinse & Hold Cycle.

**Note:** When this option is selected, water temperature boosts up between 161° F – 167° F. "HI-TEMP WASH" helps: kill bacteria, dissolve detergents, remove sticky and greasy substances off the dishware and as well as effective cleaning.

**Note:** Any interruption during wash and rinse cycles or if the incoming water temperature is too low, proper water heating temperature cannot be achieved and the Hi-Temp Wash heating temperature conditions may be affected.

### Check List for Wash Process

- 1) Make sure all items are loaded in the racks and silverware basket properly.  
**Note:** Do not load tall dishware or cookware items near middle spray arm as they may block the spray arm from rotating.
- 2) Pour the proper amount of detergent into the detergent dispenser.  
**Note:** If "RINSE " indicator light display is "ON" indicating that it is empty, add "Rinse Aid" agent at this time.
- 3) Close the door and latch properly.
- 4) If you need to use the "HI-TEMP WASH" option, you must do so before selecting the wash cycle.  
**Note:** This option can be selected only with Pots & Pans, Normal or Glassware Wash Cycles except Rinse & Hold Cycle.
- 5) Select the desired wash cycle by matching the knob "Pointer" to cycle "Dot".  
Once you are at this point, turn the power button "ON". You will hear a "Click" and the wash process will begin at this time.
- 6) To turn the power off at the end of the cycle, simply press the "POWER" button.
- 7) If you want to speed up the drying process after completion of the cycle, keep the door open slightly to release the moist air.

**Warning:** Keep children away from the machine when the door is opened to dry the dishware because the moist hot air exiting out of the door may cause harm.

### Canceling or Resetting Wash Cycle

**Note:** The dishwasher will release detergent automatically within a few minutes of the start of a wash. To avoid the "release of detergent" before you cancel or reset the wash cycle, you must press "POWER" button immediately.

- Once you have reset to a new wash cycle, you must refill the detergent compartment if it is open and empty because the detergent from previous wash cycle may have already been released.

Follow the steps below to cancel or reset a wash cycle:

- 1) To cancel or reset a wash cycle, press "POWER" button to "OFF" position to turn the dishwasher off. You will notice that power indicator display light shuts off.

- 2) If you need to reselect "HI-TEMP WASH" option, you must select it now by pressing the "HI-TEMP WASH" button before selecting the wash cycle.

**Note:** "HI-TEMP WASH" option can not be selected with "RINSE & HOLD" cycle.

- 3) To reset a wash cycle, turn the knob "Clockwise" to your desired wash cycle setting.
- 4) Press "POWER" button again to the "ON" position to turn the dishwasher on. You will hear a "Click" that signifies the automatic start of the wash process. You will also notice that power indicator display light turns on.

### **Pausing a Wash Cycle:**

The "POWER" button serves the purpose of the "Pause" function as well as powering the machine on or off.

If you need to pause in the middle of the cycle to add or remove any items, follow the steps below:

- 1) Press "POWER" button to the "OFF" position to pause the cycle. You will notice that the power indicator display light shuts off.
- 2) Open the door by squeezing the door latch slowly.  
**Note:** Do not open the door until the water spray action stops. Be careful of moist hot air that may rise out of the dishwasher.
- 3) Add or remove items. Once you have finished adding or removing, simply close the door properly.
- 4) Press the "POWER" button to the "ON" position to resume the cycle. You will notice that power indicator display light turns on.

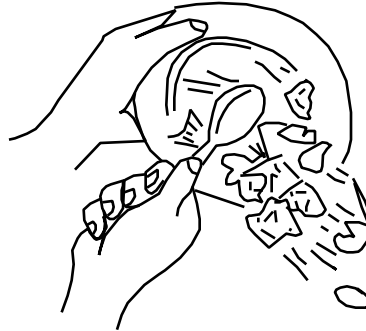
### **Open Door Protection:**

Your dishwasher will stop automatically if the door is opened during the operation. The dishwasher will not start until the door is closed again. Once the door is closed the cycle will resume automatically.

### Preparing to Wash Dishes:

For get best results, practice the following before you put dishware in the dishwasher:

- Discard big chunks of food from the plate before loading.
- Remove sticky foods and loosen burned-on foods before loading.
- Empty liquids such as juice, soup, soda, coffee or tea from glasses and cups before loading.
- Rinse off acid based liquid, such as vinegar or lemon juice right a way. Failure to do so may cause discoloration to plates, food containers or internal cabinet.
- Always check manufacturer's recommendations before you start washing items.



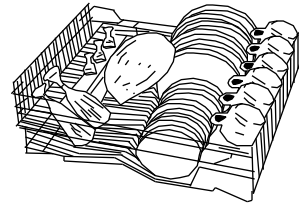
### Tips to avoid stains and films:

The following suggestions are recommended to prevent stains and films on dishware and utensils items:

- You must rinse all dishware, silverware, glassware and food containers immediately after use. Some citric based food products, coffee, tea and iron deposits in water can cause yellow or brown film to form on the inside surface it left on for a long time or if rinsed immediately.
- You must check your water hardness to see whether you need to use more or less detergent to wash. If water is extremely hard, then it may be causing stains on items. You may need to use a water softener.
- Do not overload the dishwasher.
- Avoid improper loading.
- Be sure to use the recommended water temperature to wash dishware.
- Do not use too little detergent.
- Do not use old or damp powder detergent.
- Do not load aluminum utensils improperly. Aluminum utensils can cause gray or black marks to appear on porcelain utensils if they are touching during wash cycle.

**Loading the Lower & Upper Rack:**

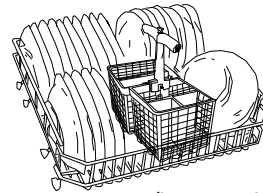
To get maximum cleaning results, follow the recommendations below before you start the dishwasher:



(upper rack)

**Note:** Do not wash any heat sensitive or any other items that are not designed for automatic dishwashers.

- Keep all tall dishware and food containers away from the spray arm rotation.
- Place food containers such as cups, glasses, bowls, saucepans and casserole dishes with soiled surface facing in the downward position.
- To avoid any type of damage to glassware such as coffee/tea cups, beverage, wine and champagne glasses, do not load them on the bottom rack. Place these items on the upper rack.
- Put cups upside down on the top of the cup/stemware rack and put wine or champagne glasses upside down between the divided segments of the cup/stemware rack to secure them properly.
- Do not load dishware or food containers that are made of wood or iron. These items are not considered dishwasher safe. (See chart on p.18 for details.)



(lower rack)

- Do not jam the glassware items together when loading.
- Place delicate items on the upper rack.
- Do not load tall dishware or cookware items near the middle spray arm.
- Move racks slowly in and out to avoid slamming the dishware items together.
- Make sure all dishware and glassware items are securely in place when loading to avoid falling over or striking against each other.

**Adjustable Upper Rack System:**

The upper rack has two positions, which allows you to modify the rack system according to your current space needs. The flexibility of the upper rack is ideal for washing tall dishware and glassware items.

For Example: Adjusting the Rack to the Lower Position allows you the flexibility to load taller wine or champagne glasses in the upper rack, simply remove the rack and bring it to the lower position.

For Example: Adjusting the Rack to Upper Position allows you the flexibility to load tall dishes on the lower rack.

#### Steps to Remove the Rack

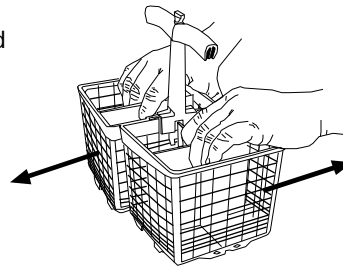
- 1) Open both sides of the rail guards from the upper rack.
- 2) Slide the rack out.
- 3) Place the rack to your desired position.
- 4) Close both sides of the rail guards so rack will not slide out.

#### Loading Split Silverware Basket:

Your dishwasher has a removable split basket with two compartments that can be separated to give you loading flexibility in order to accommodate flatware and lower rack capacity needs. This option saves space when only half the unit is needed. Simply remove the basket from the dishwasher to load silverware and place it back once you finish loading.

#### Steps to Split the Silverware Basket

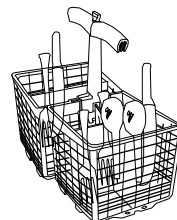
- 1) Put your right hand in right side of the basket and your left hand in the left side of the basket.
- 2) Simply slide the basket with light force to unlock/split by pushing it forward and pulling it towards you until you see that both hooks come out of the elongated holes in the middle.



**Note:** Do not use heavy force to split the basket because this may cause damage to plastic hooks to break off.

- 3) To put both halves together again, use both hands to level the split baskets and sliding each hook into each elongated hole on both sides. Now, slide with light force to attach/lock by pushing it forward and pulling it towards you until both baskets snaps in easily.

- To avoid any type of injury, load knives and forks face down.
- Try to mix spoons, knives and forks for better cleaning and drying and to prevent nesting.
- Do not mix stainless steel and silver items because you may damage the silver finish on silver items.
- Do not load tall items next to the upper spray arm because it may block the rotation.
- Do not load tin, pewter and non-dishware filters. These items are not considered dishwasher safe.



**Proper Use of Detergent:**

- The amount of detergent to use depends on the type of water in your living area whether it is hard or soft and whether items are lightly or heavily soiled.
- Water softness or hardness is measured in grains content per gallon (gpg). You can find out the gpg level by calling your local Environmental Protection Agency (EPA) in your county.
- If you find that the gpg level is higher in the water, then the water will be harder in your living area. You will need more detergent to clean. If gpg level is lower, then the water will be softer in your living area so you will need less detergent to clean.

See the following table to understand the "water hardness type" and gpg level.

Water Hardness Type	gpg
Hard	10+
Medium	4-9
Soft	0-3

**Note:** If gpg level is over 12, then water is very hard. You may need water softener to improve the water quality and the performance of your dishwashing.

**Note:** The quality of the detergent will make a big difference in the cleaning of dishes. Detergent that is damp or too old will not be as effective to clean because the active ingredients will be phased off. Detergent will not work properly.

**Note:** Use only "**Automatic Dishwasher Detergent**" for your dishwasher. Other types of detergents that are not for dishwasher use may cause oversudsing and foaming. Do not use detergents that are dried, caked or moist. These types of detergents will not dissolve properly and will clean effectively.

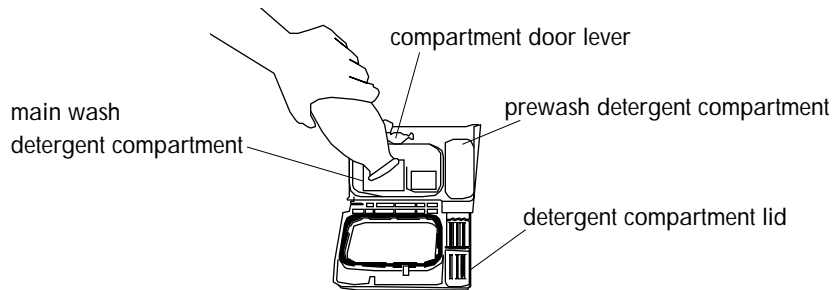


### Pouring Dishwasher Detergent:

Use the recommended amount of detergent for your wash loads. Measure and pour the detergent into the large compartment for the main wash. The detergent for the pre-wash goes into the small compartment next to the main wash compartment.

**Note:** For the pre-wash you should use one-half the amount of detergent that you use for the main wash.

- We recommend that you use a **Rinse Agent** to help remove spots and prevent new film build-up on your dishes, glasses, flatware, cookware and plastic.

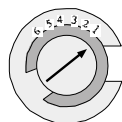
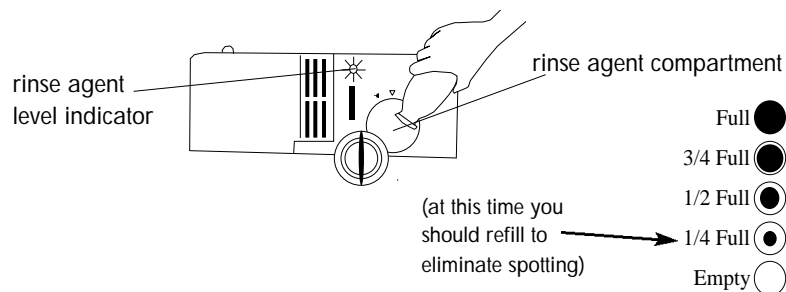


**Note:** Use only a liquid form of rinse agent in the dispenser.

### Pouring Liquid Rinse Agent into the Dispenser:

Use the recommended amount of rinse agent for your wash loads. The rinse agent dispenser is located next to the detergent dispenser. During the wash cycle, it automatically releases a preset amount of rinse agent during the last rinse cycle.

When the dispenser is full, the see through rinse agent level indicator will be dark. When it is empty, it will be clear which means you need to pour in more.



**Note:** A full dispenser should last approximately one month. If you want to adjust the amount of rinse agent dispensed, the dispenser has 1 to 6 levels that you can adjust to. Simply rotate the dial to your desire settings.

### **Checking Water Temperature:**

- Your incoming water must be between at least 120°F / 49°C and at most 150°F / 66°C in order to clean effectively and prevent damage to your dishware.

**Note:** The minimum incoming temperature must be at 120°F/49°C in order for the detergent to dissolve properly.

If you are unsure of the temperature of your hot water:

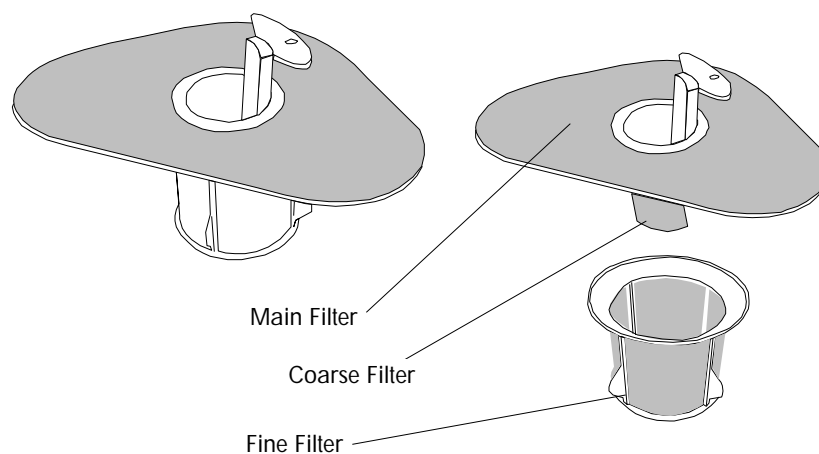
1. Simply open the hot water faucet and let it run for a minute and fill a glass.
2. Take a thermometer and check the temperature of the water.
3. If the temperature is below 120°F / 49°C, then you need to adjust the water temperature on your water heater in order to maintain that temperature level.

### **Overflowing Protection:**

- In case the water level is rising above the highest acceptable point, the security pressure switch will activate the drain pump automatically.

## Understanding the Filtration System

For your convenience, the three level filtration system is conveniently located inside the dishwasher tub beneath the lower rack and consists of a Main Filter, Coarse Filter and Fine Filter.



**Main Filter:** The purpose of this filter is to trap food and soil particles.

**Coarse Filter:** The purpose of this filter is to trap large items such as pieces of bone or glass that might clog the drain. (attached to main filter)

**Fine Filter:** The purpose of this filter is to trap and hold tiny soil and food residue and prevent it from being re-deposited on the dishes during a cycle.

**Warning:** Never run your dishwasher without the filters in place. Failure to do so may cause drain blockage and pump damage.

## Dishwasher Safe or Hand Wash

Materials Type	Dishwasher Safe		Comments	Explanations
	Yes	No		
Aluminum	X		Some restrictions apply. Read manufacturer's washing instructions before loading.	Materials such as anodized aluminum may fade or become dark in hot water temperature. Some discoloration may appear. Load aluminum items away from other type of materials items because they can cause gray or black marks.
Cast Iron		X	Not recommended - Hand Wash Only, dry immediately after washing.	Iron will rust in water and the seasoning will be lost due to the hot water temperature.
Chinaware	X		Some restrictions apply. Read manufacturer's washing instructions before loading. Note: Only if stated "Dishwasher Safe" (Some restrictions apply.)	You can wash "Chinaware" items that are without decoration. You can wash "Chinaware" items with decoration protected by special type of "Glaze". Any type of "Pattern" on top of glaze with gold or silver lining or design may fade in hot water temperature. Load these type of items away from each other to avoid scratches and damage.
Copper	X		Read manufacturer's washing instructions before loading.	Load copper items away from stainless steel items. Do not mix copper and silver items in the same basket. They can easily discolor.
Crystal		X	Not recommended - Hand Wash Only. Read manufacturer's washing instructions before loading.	Certain type of "Lead Crystal" may etch in high hot water temperature. Do not wash "Antiques" and "Very Delicate" items in the dishwasher. Crystal items are recommended to be washed in low temperature setting. When loading, make sure they are securely in place to avoid falling over and knocking against other dishware items during the wash process.

**Dishwasher Safe or Hand Wash** (continued)

Materials Type	Dishwasher Safe		Comments	Explanations
	Yes	No		
Dirilyte (Gold Colored Flat Ware)		X	Not recommended - Hand Wash Only. Read manufacturer's washing instructions before loading.	These items may become discolored.
Disposable Plastic		X	Not recommended - Hand Wash Only. Read manufacturer's washing instructions before loading.	These items are not made for machine wash.
Glassware	X		Some exceptions and restriction apply. Read manufacturer's washing instructions before loading.	You may wash some glassware items to avoid stains. Empty liquids such as juice, soup, soda, coffee or tea from glasses and cups before loading.
Knives		X	Not recommended - Hand Wash Only in cold water. Note: Sharp knives can become dull in hot water temperature. Read manufacturer's washing instructions before loading.	Sometimes the knife "Handle" (wood or other type of materials) may crack, loosen or wear out in hot water temperature.
Lead Crystal		X	Not recommended - Hand Wash Only. Read manufacturer's washing instructions before loading.	These items may "Etch" if machine washed.
Non-Dishware		X	Not recommended - Hand Wash Only. Read manufacturer's washing instructions before loading.	Never machine wash items such as electronic "air cleaners/filters" of any kind of small electronics/appliances.
Non-Stick Coatings	X		Some exceptions and restriction apply. Read manufacturer's washing instructions before loading. Note: Only if stated "Dishwasher Safe".	After wash, it is recommended that you wipe off the non-stick surface area with vegetable oil to maintain its non-stick quality.
Pewter		X	Not recommended - Hand Wash Only. Read manufacturer's washing instructions before loading.	This will stain or discolor if machine washed.

**Dishwasher Safe or Hand Wash** (continued)

Materials Type	Dishwasher Safe		Comments	Explanations
	Yes	No		
Plastic	X		Only if stated "Dishwasher Safe". Read manufacturer's washing instructions before loading.	Place plastic items away from sharp items to avoid damage. It is recommended to place plastic items on the top rack. Do not heat dry. Do not wash "Disposable" plastic items.
Silver & Silver Plated	X		Note: Rinse these items immediately. If you are going to wash them later because acidic or salty foods may stain if left on for long time.	Do not place silverware and stainless steel items in the same basket. Silverware items may get damaged if they come in contact with stainless steel items.
Stainless Steel	X		Note: Rinse these items immediately if you are going to wash them later because acidic or salty foods may stain if left on for a long time. Note: Do not mix stainless and silverware items. Read manufacturer's washing instructions before loading.	Do not place silverware and stainless steel items in the same basket. Silverware items may become damaged if they come in contact with stainless steel items. Do not load different types of "Stainless" items in the same load/basket.
Metal		X	Not recommended. Note: It will rust. Read manufacturer's washing instructions before loading.	Do not wash "Metal Tin" in the dishwasher.
Wood		X	Not recommended. Note: Only if stated "Dishwasher Safe" Read manufacturer's washing instructions before loading.	Wood may crack or lose its shape in machine wash due to the hot water temperature condition.

## Care & Cleaning of your Dishwasher

### General Cleaning and Maintenance:

- Do not use abrasive, harsh cleaners, solvents, concentrated detergents or metal scouring pads to clean the inside of dishwasher.
- Use warm soapy water with a soft brush or a piece of cloth to clean the interior of a tub.
- Clean around the tub gasket with a damp cloth.
- When cleaning the control panel, use a slightly dampened cloth to wipe. Then dry thoroughly.
- When cleaning the exterior cabinet, use slightly soapy water with a soft piece of cloth.
- Do not use any sharp objects that can scratch the cabinet surface.

### Cleaning Dishwasher Filters:

- We recommend that you wash and clean all three filters gently in hot, soapy water and rinse them thoroughly periodically to clean soil and chemical build up on the filters.
- The filters are located inside the dishwasher at the bottom in the front below the lower rack.
- After a wash and dry cycle is finished, you must wait few minutes until the dishwasher is completely cooled off in order to remove the filters to clean.
- Remove the lower rack first in order to take the filter out.
- Remove and clean any residue off the filters with soap and water; then wipe them off with a soft piece of cloth.
- After you finish cleaning the filters, place them back to their original position in the dishwasher.

### Preventing Your Dishwasher from Freezing:

You must protect your dishwasher if it is left in an unheated place during the winter.

- You must cut off electrical power to the dishwasher.
- You must turn off the water supply and disconnect the water inlet line from the water valve.
- You must drain water from the water inlet into the sink or pan.
- Do not install or operate your dishwasher where the temperature is below freezing.
- If you receive a delivery of a dishwasher when the outside temperature is below freezing, do not operate it until the dishwasher has warmed to room temperature.

### Storage of Your Dishwasher in a Cold Environment:

- You must store the dishwasher at room temperature.

## Troubleshooting

### **Dishwasher does not work:**

- Check if the circuit breaker needs to be reset or if the fuse needs to be replaced.
- Check if the unit is in "OFF" mode.
- Check if the door is open. You may need to close the door properly.
- Check that you have pressed "POWER" button after proper selection.

### **Dishware and glassware/flatware are cloudy and not properly cleaned:**

- Use of old or poor detergent.  
You need to make sure that detergent is fresh.
- The water may be hard in your area.  
You may need to install a water softener.
- Spray arms may be blocked.  
You may need to rearrange dishware and utensils.
- Water pressure may be low.  
You may need to adjust the water pressure.  
Make sure it is between 20 to 120 (PSI).
- Water temperature may be lower than what is recommended.  
(120 Degree F / 49 Degree C) You may need to adjust the water temperature on your water heater.
- Overloading of dishware.  
You may need to rearrange or remove some dishware from the load.
- (May have selected wrong cycle.) Inappropriate cycle selection.  
You may need to select the proper cycle.

### **Dishes are not dry:**

- Low water temperature.  
You may need to regulate the water temperature to 120 Degree F / 49 Degree C or select Hi-Temp Wash option.
- Make sure the rinse agent dispenser is filled and the proper amount is used.
- Avoid nesting and do not overload.
- Load items in a tilted position if possible so the water will run off easily.
- Dishware washed in higher temperatures will dry faster.
- Some plastic materials may need to be towel dried.



**Dishware is chipped:**

- This is due to poor loading or overloading. You need to be careful when loading. Do not overload. You need to place the glassware securely against the pins. Make sure delicate items are on the side rack. We recommend that fine chinaware or crystal items be hand washed.
- Do not jam the glassware items together when loading.
- Place delicate items on the upper rack.
- Do not load tall dishware items near the middle spray arm.
- Move racks slowly in and out to avoid slamming the dishware items together.
- Make sure all dishware and glassware items are securely in place when loading to avoid falling over or striking against each other.

**Noise:**

Some of the sounds you will hear are normal.

- You will hear the sound of the water fill and rinse.
- You will hear the drain pump motor operation to pump water out.
- You will hear the motor stopping at the end of the cycle.
- If some utensils are not secure in the rack, you will hear that they are being tossed around the tub.

**Oversudsing:**

This is due to the use of regular hand washing detergent.

Detergent should be for "Automatic Dishwasher Use". You must use the proper detergent for best dishwashing results.

**Dishware Odor:**

- This is due to an incomplete cycle.  
You need to allow the cycle to be fully completed.
- New scented detergent used.  
This is normal because different types of detergents may have different fragrances.

**Etching:**

- Too much detergent used.  
Use the appropriate amount of detergent. Reduce the amount of detergent used per load.
- The water temperature is too hot.  
You need to lower the water temperature.
- Use of old detergent.  
Read the expiration date. Avoid using old detergent. Use only fresh detergent.
- Do not pre-rinse the dishes.  
Simply scrape off large food particles

**Stained interior tub:**

- Some detergents contain colorants known as "pigments" or "dyes" that will discolor the tub with extended use. You need to change the detergent to one without a colorant. Read the container label carefully before using the detergent.
- Some acid based and/or paste based foods may discolor the tub. Use of the rinse cycle may help to decrease the level of staining.

**Spots & filming found on flatware/glassware:**

This is due to:

- Use of too little detergent.
- Low incoming water temperature and pressure.
- Improper loading.
- Use of old, moist and damp powder detergent.
- Hard water in your area.

## Water

### Draining Problem:

- Check the level of the drain hose. The drain hose should be positioned above the drain in order to drain properly. Make sure it is on a high drain loop (20") above the sub floor or floor.
- If the drain hose is bent or shrunken, it may affect water draining.
- If water can not be drained out smoothly, the dishwasher operation will be disturbed and it may stop in the middle of the cycle.
- Make sure that the wash cycle is fully completed before you opened the dishwasher door. If the wash cycle is not completely finished, allow the cycle to be completed and check again.
- Make sure that the air gap is not blocked.
- If the unit is connected to a garbage disposer, make sure that it is not full. If it is, you need to empty it.
- Check for any type of blockage near the drain and dishwasher filter area.
- If the water backs up into the sink, you need to check the garbage disposer and the trap for blockage.
- It is normal to find some water in the sump area near the drain.

### Steps of draining the water out of the tub:

- 1) Shut off the unit power and wait a few seconds.
- 2) Turn the knob to the "RINSE & HOLD" wash-cycle button.
- 3) Turn the power on again and you will hear a water draining noise.
- 4) Let the water drain out for approximately 30 seconds and shut off the unit power.
- 5) If there is still some water in the tub, repeat steps 1-3 again until the water is completely drained.
- 6) If you still notice excessive water present in the tub after completing these steps, call the Haier Customer Satisfaction Center for further assistance. 1-877-337-3639

**Dishwasher is leaking:**

- Dishwasher is not properly leveled.  
You need to place the dishwasher on a flat hard surface. Avoid an uneven surface.
- Make sure the dishwasher is properly leveled . (See the installation instructions)
- Do not overfill the detergent or the rinse agent dispenser because it will cause oversudsing and overflowing.
- Do not use regular type hand or dish washing detergent in the detergent dispenser. These types of detergents are not recommended for dishwasher use.

**Dishwasher will not fill:**

- Check the water supply.  
Make sure that the water supply is in "ON" position.
- Check water pressure.  
Make sure the water pressure is at the proper level. (Between 20 – 120 PSI)

**Water found under the filter:**

- A small amount of water found under the filter area after completion of the cycle is normal.

**Detergent found in the compartment:**

- Do not load items too close to the detergent compartment. This may block the automatic release of the detergent.
- Do not use old or caked/dried detergent in the compartment because it will not dissolve properly and will leave a sandy residue on dishware.

**Dishwasher is running for too long:**

- The temperature of incoming water is below 120°F. Raising your water heater setting will help to shorten the time of operation.
- Call the Haier Customer Satisfaction Center if this does not resolve the problem.

## Limited Warranty

### In-Home Service

#### 1 Year Warranty

For 12 months from the date of original retail purchase, Haier will repair or replace any part free of charge that fails due to a defect in materials or workmanship, including labor.

#### 2 Years Limited Warranty Water Distribution System (Parts Only)

For 24 months from the date of original retail purchase, Haier will replace any parts in the water distribution system which fail due to manufacturing defect. This includes the pump, motor, lower wash arm, middle wash arm and the wash tower upper sprayer with associated supply tube and filters.

**NOTE:** Associated outside inlet and drain plumbing parts are not covered by this warranty.

#### Vinyl Coated Racks (Parts Only)

For 24 months from the date of original retail purchase, Haier will replace vinyl-coated upper or lower rack that peels or rusts due to a manufacturing defect.

#### Rotary or Electromechanical Control (Parts Only)

For 24 months from the date of original retail purchase, Haier will replace rotary/electromechanical control that fails due to a manufacturing defect.

#### Lifetime (Parts Only)

##### Stainless Steel Tub and Door Liner

Provide a replacement tub or door liner if the original tub or door liner fails to contain water because of a manufacturing defect.

**NOTE:** This warranty commences on the date the item was purchased and the original purchase receipt must be presented to the authorized service representative before warranty repairs are rendered.

#### Exceptions: Commercial or Rental Use Warranty

90 days labor from date of original purchase  
90 days parts from date of original purchase  
No other warranty applies

#### For Warranty Service

Contact your nearest authorized service center. All service must be performed by a Haier authorized service center. For the name and telephone number of the nearest authorized service center please call 1-877-337-3639.

#### Before calling, please have the following information available:

Model number and serial number of your

appliance (found on the rear of the unit on the upper left hand side).

The name and address of the dealer you purchased the unit from and the date of purchase.

A clear description of the problem.

A proof of purchase (sales receipt).

#### This warranty covers appliances within the continental United States, Puerto Rico and Canada. What is not covered by this warranty:

Replacement or repair of household fuses, circuit breakers, wiring or plumbing.

A product whose original serial number has been removed or altered.

Any service charges not specifically identified as normal such as normal service area or hours.

Damage to dishware.

Damage incurred in shipping.

Damage caused by improper installation or maintenance.

Damage from misuse, abuse accident, fire, flood, or acts of nature.

Damage from service other than an authorized Haier dealer or service center.

Damage from incorrect electrical current, voltage or supply.

Damage resulting from any product modification, alteration or adjustment not authorized by Haier.

Adjustment of consumer operated controls as identified in the owners manual.

Hoses, knobs and all attachments, accessories and disposable parts.

Labor, service transportation, and shipping charges for the removal and replacement of defective parts beyond the initial 12-month period.

Damage from anything other than normal household use.

Any transportation and shipping charges.

THIS LIMITED WARRANTY IS GIVEN IN LIEU OF ALL OTHER WARRANTIES, EXPRESSED OR, INCLUDING THE WARRANTIES OF MERCHANTABILITY AND FITNESS FOR A PARTICULAR PURPOSE

The remedy provided in this warranty is exclusive and is granted in lieu of all other remedies.

This warranty does not cover incidental or consequential damages, so the above limitations may not apply to you. Some states do not allow limitations on how long an implied warranty lasts, so the above limitations may not apply to you.

This warranty gives you specific legal rights, and you may have other rights, which vary, from state to state.

Haier America  
New York, NY 10018

# CONSIGNES DE SÉCURITÉ IMPORTANTES

**Avertissement – Afin de réduire tout risque de brûlure, d'électrocution, d'incendie ou de blessure lorsque vous utilisez cet appareil, veuillez suivre les précautions suivantes:**

1. **Lisez toutes les instructions avant d'utiliser cet appareil.**
2. Utilisez cette machine uniquement pour l'usage auquel elle est destiné comme indiqué dans ce manuel et le manuel d'entretien.
3. Utilisez uniquement un détergent recommandé pour lave-vaisselle automatique et l'agent de rinçage recommandé pour cette machine et conservez-les hors de la portée des enfants car ils sont corrosifs et peuvent être nocifs.
4. Cette machine doit être installée conformément aux instructions d'installation avant d'être mise en marche.
5. Ne débranchez jamais cette machine en tirant sur le cordon d'alimentation. Saisissez fermement la fiche et tirez sur cette dernière.
6. Remplacez immédiatement tout cordon, toute fiche ou prise usé(e), desserré(e).
7. Débranchez la machine avant de la nettoyer ou de la réparer.
8. Ne pas ouvrir le lave-vaisselle immédiatement après le cycle de lavage ni pendant qu'il fonctionne car l'air chaud et la vapeur brûlante à l'intérieur risquent de gravement vous brûler. Appuyez sur la poignée de la porte, patientez quelques 'air froid d'entrer à l'intérieur puis ouvrez la porte.
9. Ne faites pas fonctionner cet équipement en présence de vapeurs explosives.
10. N'ajoutez pas et ne mélangez pas de substances inflammables ou explosives dans le lave-vaisselle.
11. La porte doit être fermée lorsque la machine est en marche.
12. N'utilisez pas la machine lorsque des pièces s'avèrent manquantes ou défectueuses.
13. N'utilisez pas votre machine à des fins commerciales ou industrielles.
14. N'utilisez cet équipement à moins que toutes les cloisons soient bien en place.
15. Ne jouez pas avec les commandes.
16. Afin de réduire tout risque de blessures, ne laissez pas les enfants jouer sur ou à l'intérieur de cet équipement. Il est nécessaire de surveiller attentivement les enfants lorsque vous utilisez cette machine à proximité de ces derniers.
17. Cette machine doit être raccordée à une prise de courant présentant une tension adéquate.
18. Cette machine doit être mise à la masse (terre) afin d'éviter tout risque d'électrocution et d'incendie. NE PAS COUPER NI RETIRER LA BROCHE DE

**MISE À LA TERRE.** Si votre prise murale ne peut accueillir une fiche à trois broches, veuillez faire en sorte qu'un électricien qualifié en installe une. La prise murale **DOIT** être mise à la masse.

19. Il est possible que de l'hydrogène se forme si le chauffe-eau n'a pas été utilisé pendant plus de 2 semaines. Ceci peut s'avérer dangereux et risque d'entraîner une explosion sous certaines conditions. Si cela s'avère le cas, ouvrez tous les robinets d'eau chaude avant d'utiliser la machine et laissez l'eau courir pendant quelques minutes. Vous laisserez ainsi s'échapper tout hydrogène ayant été piégé. Veuillez à ne pas allumer d'appareil électrique, ne pas fumer, ne pas allumer d'allumette ou de briquet ni approcher de flamme nue lorsque vous procédez à cette purge afin d'éviter tout accident car l'hydrogène est un gaz inflammable et risque d'exploser.
20. Ne réparez et ne remplacez aucune pièce de la machine et ne procédez à aucune maintenance à moins que cette dernière soit recommandée dans le guide de réparation destiné à l'utilisateur et que cette dernière soit claire, facile à comprendre et que vous puissiez la réaliser.
21. Afin de réduire tout risque d'électrocution et d'incendie, n'utilisez pas rallonges ni d'adaptateurs afin de raccorder la machine à une source de courant.
22. Ne placez aucun article sensible à la chaleur ni tout autre article non-lavable au lave-vaisselle. Les articles non lavables au lave-vaisselle risquent de se déformer ou de fondre et de créer un risque potentiel d'incendie.
23. N'utilisez pas le lave-vaisselle à l'extérieur.
24. Ne laissez pas la porte du lave-vaisselle ouverte afin que la vaisselle sèche lorsque des enfants se trouve à proximité du comptoir. Il est nécessaire de enfants lorsque vous utilisez cette machine à proximité de ces derniers.
25. Ne pas s'asseoir ni se tenir debout sur la porte ou sur le panier du lave-vaisselle.
26. Ne pas toucher les éléments chauffants immédiatement après le cycle de lavage car ils risquent d'être brûlants.
27. Placez les objets pointus tels que les couteaux et les fourchettes avec la pointe vers le bas afin de réduire tout risque de blessure.
28. Ne lavez pas les articles en plastique à moins que ces derniers soient approuvés et lavables au lave-vaisselle. Vérifiez les recommandations du fabricant pour les articles ne portant d'inscription indiquant que ces derniers sont lavables au lave-vaisselle.
29. Ne placez pas d'objets pointus près de la porte car vous risquez d'endommager le joint d'étanchéité.
30. Si vous devez retirer une machine afin de procéder à une réparation ou pour la jeter, veuillez à retirer la porte.
31. Débranchez le cordon d'alimentation électrique et le tuyau d'arrivée d'eau avant de réparer ou de procéder à l'entretien de la machine.

**CONSERVEZ CES INSTRUCTIONS**

## Table des matières

	PAGE
CONSIGNES DE SÉCURITÉ .....	1-2
Connaître le lave-vaisselle .....	4-6
Utilisation du lave-vaisselle .....	7-18
Comprendre le système de filtration .....	19
Articles lavables au lave-vaisselle ou lavables à la main .....	20-22
Nettoyage et entretien du lave-vaisselle .....	23
Guide de dépannage .....	24-28
Garantie .....	29

Nous vous remercions d'avoir fait l'achat de cet appareil Haier. Cette notice facile à utiliser vous aidera à utiliser au mieux votre lave-vaisselle.

N'oubliez pas de noter le modèle et numéro de série. Ces derniers se trouvent sur une étiquette au dos du lave-vaisselle.

\_\_\_\_\_

*Numéro du modèle*

\_\_\_\_\_

*Numéro de série*

\_\_\_\_\_

*Date d'achat*

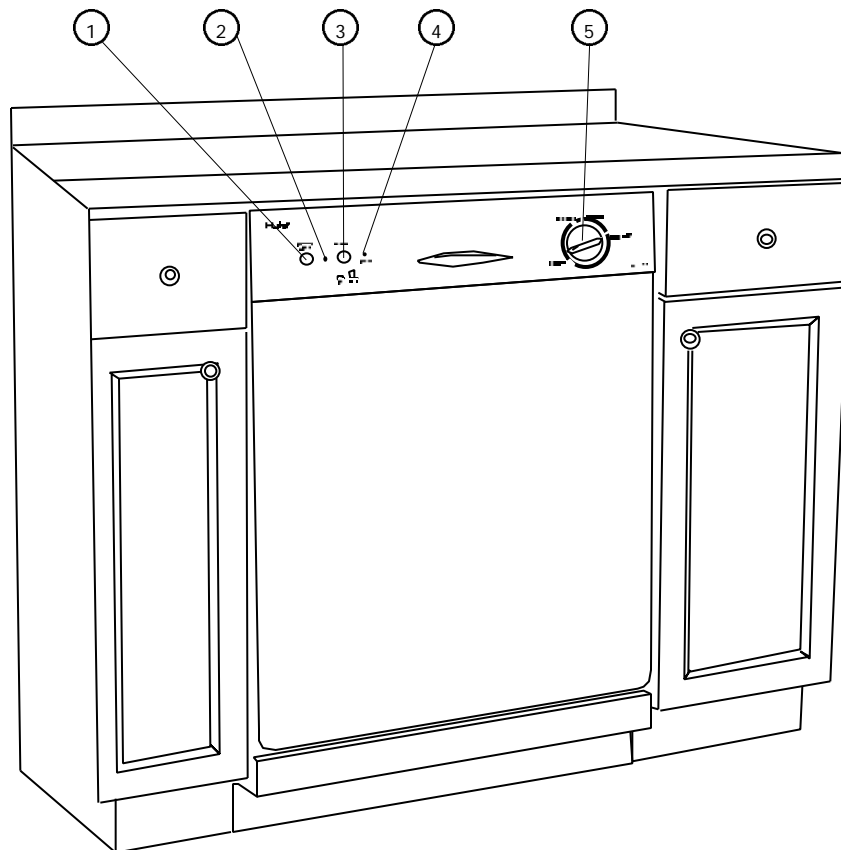
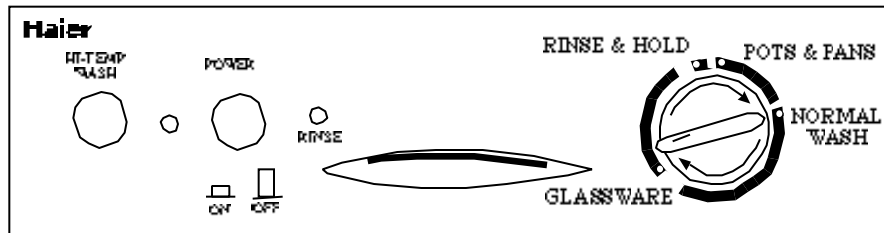
Agrafer le ticket de caisse au guide. **Il devra être présenté pour tout service après-vente sous garantie.**

Tous les dessins figurant dans ce manuel d'utilisation et d'entretien sont à titre d'illustration uniquement. Les pièces indiquées sur les figures peuvent être différentes sur la machine. Les spécifications et caractéristiques techniques sont sujettes à modification sans préavis.



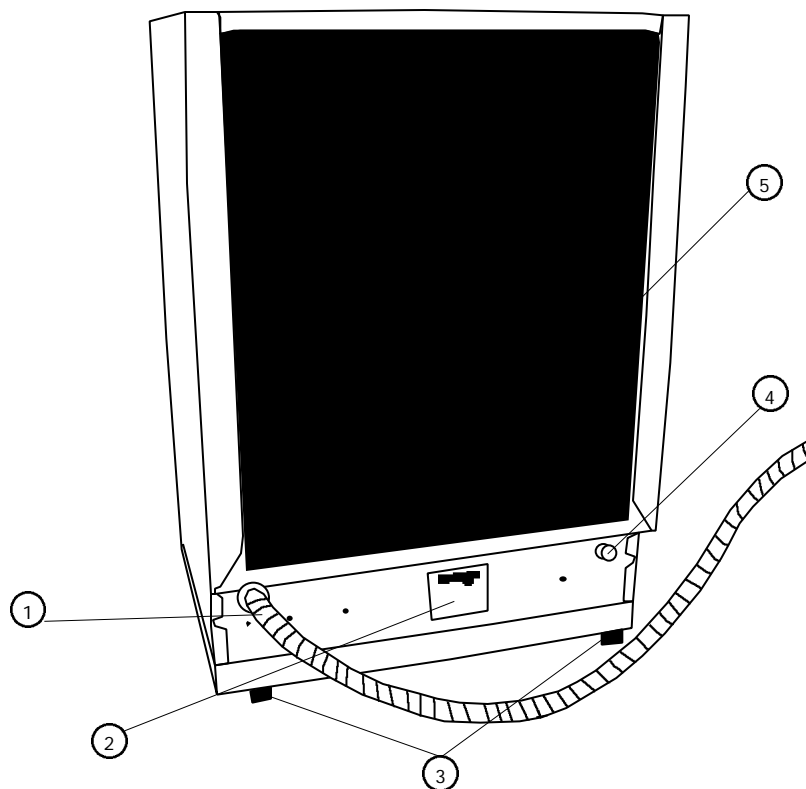


(Vue de devant avec la porte fermée)



- |  |   |
|--|---|
| 1. Bouton de lavage haute température<br>"Hi-Temp" (On-Off/Marche-arrêt) | 4. Voyant de rinçage                      |
| 2. Voyant d'alimentation   | 5. Bouton de sélection du cycle de lavage |
| 3. Bouton de marche "Power"<br>(On-Off/Marche-arrêt)                     |   |

(Vue de derrière)



1. Tuyau d'évacuation (Fourni)
2. Boîte de raccordement électrique  
(120V/60Hz - Fiche non fournie)
3. Jambes arrières de mise à niveau
4. Entrée d'eau
5. Panneau d'isolation arrière

## Utilisation du lave-vaisselle

### Comprendre le panneau de commande du lave-vaisselle:

#### Bouton de marche (Power):

- Pressez "POWER" pour allumer ("ON") la machine.
- Pressez à nouveau ce bouton afin d'éteindre ("OFF") la machine.

POWER



**Remarque:** Le voyant d'alimentation s'allume lorsque la machine est allumée ("Power On").

#### Bouton de lavage de haute température (Hi-Temp Wash):

- Pressez "HI TEMP WASH" afin mettre en marche l'option de lavage haute température.
- Pressez à nouveau de bouton afin d'éteindre ("OFF") cette option.

HI-TEMP  
WASH



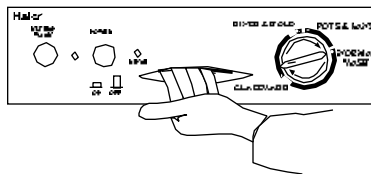
#### Voyant de rinçage (Rinse ):

- Lorsque le voyant de rinçage "RINSE" est allumé, ceci signifie que le compartiment réservé au produit de rinçage est vide. Vous devrez à présent remplir ce compartiment avec du produit de rinçage.

RINSE

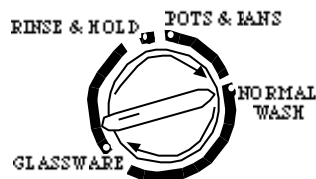
#### Poignée de porte:

- Pour verrouiller la porte, pousser la porte avec la force légère jusqu'à ce que vous entendez le "CLICK."
- Pour ouvrir la porte, pousser la porte avec la force légère jusqu'à ce que vous entendez le "CLICK."



#### Laver le Bouton de Sélectionneur:

- Lorsque vous sélectionnez le cycle de lavage, tournez le bouton DANS LE SENS DES AIGUILLES D'UNE MONTRE jusqu'au réglage désiré alignant la flèche du bouton sur le repère en forme de point. Après avoir aligné les deux symboles, pressez le bouton "Power" pour mettre en marche

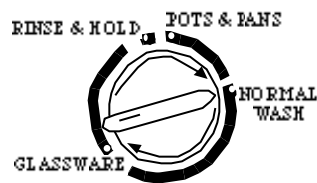


le cycle de lavage. (Vous entendrez un déclic et le cycle de lavage commencera automatiquement). Ce déclic indique la mise en marche automatique du cycle de lavage.

**Avvertissement: Le bouton de sélection du cycle de lavage a été conçu uniquement afin de fonctionner dans le sens des aiguilles d'une montre. Si vous tournez bouton dans le sens inverse à celui des aiguilles d'une montre, vous risquez d'en dommager le bouton.**

### Sélection des cycles de lavage

- Choisissez le cycle adéquat en fonction du nombre de plats et de leur degré de saleté. Pour faciliter les choses, le lave-vaisselle possède des cycles différents pour casseroles, saleté normale, verres, et rinçage pour un lavage ultérieur.



### Cycle "Pots & Pans" (casseroles et articles très sales):

- Choisissez ce cycle pour les plats, les casseroles, les assiettes, les couverts et les verres TRÈS sales comportant des salissures sèches ou des traces d'aliments cuits demeurés collés.

**Remarque:** Il est possible que ce cycle ne puisse retirer toute trace d'aliments demeurés brûlés et collés à la surface des plats.

### Cycle "Normal":

- Choisissez ce cycle pour les plats, les verres et les couverts d'un degré de saleté normal.

### Cycle "Glassware" (articles en verre):

- Choisissez ce cycle pour les articles en verre, en porcelaine, les couverts et les plats ayant été rincés avant d'être placés dans le lave-vaisselle.

### Cycle "Rinse & Hold" (rinçage pour lavage ultérieur):

- Choisissez ce cycle afin de rincer partiellement toute vaisselle que vous comptez laver plus tard.

**Remarque:** Ne pas utiliser de détergent avec ce cycle.

### Option de lavage

#### Lavage "Hi-Temp" de haute température:

- Choisissez cette option avec les cycles "Pots & Pans" pour casseroles et articles très sales, le cycle de lavage normal "Normal Wash" ou le cycle "Glassware Wash" pour articles en verre.

**Remarque:** N'utilisez pas cette option avec le cycle de rinçage "Rinse & Hold".

**Remarque:** Lorsque vous sélectionnez cette option, la température de l'eau monte

entre 161°F et 167°F (71°C et 75°C). Le cycle "HI TEMP WASH" aide à tuer les bactéries, dissoudre le détergent, retirer et nettoyer les substances collantes et graisseuses de la vaisselle.

**Remarque:** En cas d'interruption durant le cycle de lavage et de rinçage ou si la température de l'eau est trop basse, la machine ne pourra chauffer l'eau à la température suffisante et le lavage à haute température en sera affecté.

### Liste de vérifications à effectuer avant le lavage

1) Assurez-vous que toute la vaisselle a bien été placée dans les paniers réservés aux plats et aux couverts.

**Remarque:** Ne pas ranger de grands plats ou d'articles tels que des caserol près du bras pulvérisateur central car ils risquent de bloquer le parcours du bras.

2) Versez la quantité adéquate de détergent dans le distributeur de détergent.

**Remarque:** Si le voyant "RINSE " (Rinçage) est allumé indiquant donc que le distributeur est vide, il est nécessaire d'ajouter du produit de rinçage.

3) Fermez la porte et son mécanisme de verrouillage correctement.

4) Si vous devez utiliser l'option "HI-TEMP WASH" (Lavage à haute température), faites-le avant de choisir le cycle de lavage.

**Remarque:** Cette option peut être sélectionnée uniquement avec le cycle de lavage "Pots & Pans" pour casseroles et articles très sales, le cycle de lavage normal "Normal Wash" ou le cycle "Glassware Wash" pour articles en verre à l'exception du cycle "Rinse & Hold" pour rinçage et lavage ultérieur.

5) Choisissez le cycle de lavage désiré en alignant la flèche du bouton sur le repère en forme de point. Après avoir aligné les deux symboles, pressez le bouton "Power". Vous entendrez un déclic et le cycle de lavage commencera.

6) Pour éteindre la machine à la fin du cycle, pressez à nouveau sur le bouton "POWER".

7) Si vous désirez réduire le temps de séchage après le cycle de lavage, laissez la porte légèrement entrouverte afin de libérer l'air humide.

**Avertissement:** Veillez à ce que les enfants demeurent loin de la machine lorsque la porte est ouverte afin que la vaisselle puisse sécher plus rapidement car l'air chaud humide sortant de la machine est très chaude et risque de vous brûler.

## Pour annuler ou remettre à zéro le cycle de lavage

**Remarque:** Le lave-vaisselle libérera du détergent automatiquement quelques minutes après le commencement du cycle. Pour éviter que la machine ne libère du détergent avant d'annuler ou de remettre à zéro le cycle de lavage, pressez immédiatement le bouton "POWER".

- Après avoir remis à zéro le dispositif pour un nouveau cycle lavage, remplissez à nouveau le compartiment réservé au détergent si ce dernier est ouvert et vide car le détergent du cycle de lavage précédant risque d'avoir déjà été libéré.

Suivez les étapes ci-dessous afin d'annuler ou de remettre à zéro le cycle de lavage:

- 1) Pour annuler ou remettre à zéro le cycle de lavage, pressez le bouton "POWER" en position d'arrêt ("OFF") pour éteindre le lave-vaisselle. Vous remarquerez que le voyant d'alimentation s'éteindra automatiquement.
- 2) Si vous devez choisir à nouveau l'option de haute température "HI-TEMP WASH", vous devrez la sélectionner maintenant en pressant le bouton "HI-TEMP WASH" avant de choisir le cycle de lavage.

**Remarque:** L'option "HI-TEMP WASH" (Lavage haute température) ne peut pas être sélectionnée avec le cycle "RINSE & HOLD" (Rinçage pour lavage ultérieur).

- 3) Pour remettre à zéro un cycle de lavage, touchez le bouton dans le sens des aiguilles d'une montre jusqu'au cycle de lavage désiré.
- 4) Pressez à nouveau le bouton "POWER" en position de marche ("ON") afin d'allumer le lave-vaisselle. Vous entendrez un déclic qui indique que le cycle de lavage vient automatiquement de commencer). Vous remarquerez que le voyant d'alimentation s'allumera automatiquement.

**Pour arrêter temporairement la machine pendant le cycle de lavage:**

Le bouton "POWER" peut également jouer le rôle de bouton de "Pause".

Si vous devez arrêter temporairement le lave-vaisselle pendant le cycle de lavage afin d'ajouter ou de retirer des articles, suivez les instructions suivantes:

- 1) Pressez le bouton "POWER" afin de le placer en position d'arrêt ("OFF") afin d'arrêter temporairement la machine pendant le cycle de lavage. Vous remarquerez que le voyant d'alimentation s'éteindra automatiquement.
- 2) Ouvrez la porte en serrant lentement la poignée de la porte.  
**Remarque:** Ne pas ouvrir la porte avant que le bras pulvérisateur se soit arrêté. Faites attention à l'air chaud humide qui sort du lave-vaisselle.
- 3) Ajoutez ou retirez des articles. Après avoir ajouté ou retiré des articles, refermez tout simplement la porte.
- 4) Pressez le bouton "POWER" en position de marche ("ON") afin que le cycle reprenne. Vous remarquerez que le voyant d'alimentation s'allumera automatiquement.

**Dispositif de protection anti-porte ouverte:**

Le lave-vaisselle s'arrêtera automatiquement si la porte s'ouvre pendant que ce dernier est en marche. La machine ne se remettra pas en marche jusqu'à ce que vous refermiez la porte. Après avoir refermé la porte, le cycle de lavage reprendra automatiquement.

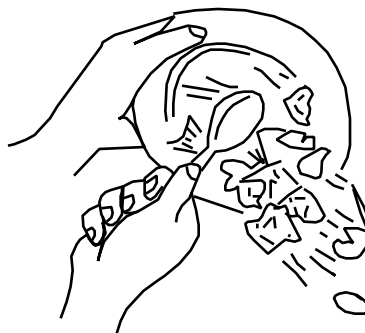
**Avant de placer la vaisselle sale dans la machine:**

Pour un meilleur résultat, suivez les instructions suivantes avant de placer les articles dans le lave-vaisselle:

- Retirez et jetez les morceaux d'aliments avant des placer les plats dans le lave-vaisselle.
- Retirez les aliments collants et les aliments brûlés demeurés collés aux plats avant de les placer dans le lave-vaisselle.
- Videz les verres et les tasses de tout liquide tel que jus de fruit, soupe, boisson gazeuse, café ou thé avant de les placer dans le lave-vaisselle.



- Rincez immédiatement les articles comportant des liquides acides tels que le vinaigre ou jus de citron. Le non-respect de cette consigne risque d'entraîner la décoloration des plats, des contenants d'aliments ou de l'habillage interne de la machine.
- Veillez à toujours suivre les recommandations du fabricant avant de commencer à laver la vaisselle.



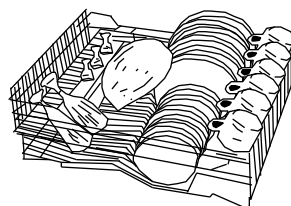
### **Conseils pour éviter toute trace et pellicule calcaire:**

Nous vous recommandons les précautions suivantes afin d'éviter toute trace et formation de film calcaire sur les plats et ustensiles:

- Rincez tous les plats, couverts, verres et contenants d'aliments immédiatement après usage. Certains produits à base d'acide citrique, le café, le thé et les résidus de fer présents dans l'eau peuvent laisser un film jaune ou marron à l'intérieur après un certain temps si ces derniers ne sont pas immédiatement rincés.
- Vérifiez la teneur en calcaire de l'eau afin de savoir si vous devez utiliser plus ou moins de détergent pour le lavage. Si l'eau est extrêmement calcaire, elle est certainement la cause des traces laissées sur la vaisselle. Vous devrez probablement utiliser un adoucisseur d'eau.
- Veillez à ne pas trop charger le lave-vaisselle.
- Veillez à ce que la vaisselle soit toujours correctement placée à l'intérieur de la machine.
- Assurez-vous que la température de l'eau soit celle recommandée pour le lavage.
- Veillez à utiliser suffisamment de détergent.
- N'utilisez pas de détergent en poudre périmé ou humide.
- Veillez à suivre les recommandations de charge pour les articles en aluminium. Les articles en aluminium risquent de laisser des traces grises ou noires sur les articles en porcelaine si ces derniers entrent en contact lors du cycle de lavage.

**Charger le panier supérieur et inférieur:**

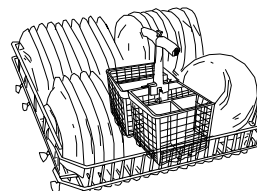
Pour un résultat optimal, suivez les recommandations ci-dessous avant de mettre en marche le lave-vaisselle:



(étagère supérieure)

**Remarque:** Ne placez aucun article sensible à la chaleur ni tout autre article non-lavable au lave-vaisselle.

- Veillez à ce que les grands plats et récipients d'aliments ne gênent pas la rotation du bras pulvérisateur,
- Placez les contenants et récipients alimentaires tels que les tasses, les verres, les bols et les casseroles avec la surface sale vers le bas.
- Afin d'éviter d'endommager les articles en verre tels que les tasses de café ou de thé, les verres à boisson, de vin, et les flûtes de champagne, veillez à ne pas les charger dans le panier inférieur. Placez ces articles dans le panier supérieur.
- Placez les tasses à l'envers dans la partie supérieure du compartiment réservé aux tasses et aux verres et placez les verres à vin et à champagne à l'envers, entre les sections du compartiment réservé aux tasses et verres à pieds afin de les bloquer en place.



(étagère plus basse)

- Ne placez pas les plats ou les récipients alimentaires fabriqués en bois ou en fer dans la machine. Ces articles ne sont pas lavables au lave-vaisselle (Voir le tableau de la page 18 pour plus de détails).
- Ne forcez pas les verres les uns contre les autres lorsque vous les placez dans le lave-vaisselle.
- Placez les articles fragiles dans le panier supérieur.
- Ne pas ranger de grands plats ou de casseroles près du bras pulvérisateur central car ils risquent de bloquer le parcours du bras.
- Sortez et replacez lentement les paniers afin d'éviter que ces derniers ne viennent frapper les uns contre les autres.
- Assurez-vous que les plats et les verres sont tous bloqués en place afin d'éviter que ces derniers ne se renversent ou se cognent les uns aux autres.

### **Panier supérieur modulable:**

Le panier supérieur possède deux positions vous permettant de modifier le système de charge selon vos besoins. La souplesse du panier supérieur est idéale pour laver les plats et les verres de grande taille.

Par exemple: Régler le panier sur la position basse Cette position vous permet de placer des verres à vin ou à champagne dans le panier supérieur en retirant tout simplement le panier et en le replaçant plus bas.

Par exemple: Régler le panier sur la position haute  
Cette position vous permet de placer des grands plats dans le panier inférieur.

### **Instructions pour retirer le panier**

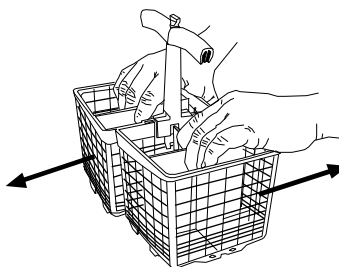
- 1) Ouvrez les deux côtés des dispositifs de protection des rails du panier supérieur.
- 2) Glissez le panier afin de le sortir.
- 3) Placez le panier sur la position désirée.
- 4) Fermez les deux dispositifs de protection des rails afin que les rails ne ressortent.

### **Charger le panier à couverts compartimenté:**

Le lave-vaisselle possède un panier compartimenté pour couverts avec deux compartiments pouvant être séparés pour plus de souplesse afin d'accueillir des ustensiles et autres articles dans le panier inférieur. Cette option vous permet d'économiser de la place lorsque vous n'avez besoin que de la moitié du lave-vaisselle. Il vous suffit de retirer le panier du lave-vaisselle afin de charger des couverts et remplacez-le à l'intérieur après avoir terminé.

### **Instructions pour compartimenter le panier à couverts**

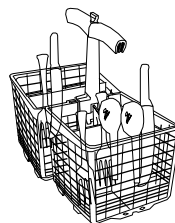
- 1) Placez votre main droite sur le côté droit du panier et votre main gauche sur le côté gauche du panier.
- 2) Glissez tout simplement mais fermement le panier afin de débloquer les deux moitiés du panier en poussant vers l'avant et en tirant vers vous jusqu'à ce que les deux crochets sortent des trous ovalisés au centre.



**Remarque:** Ne pas trop forcer afin de débloquer les deux moitiés du panier car vous risquez d'endommager ou de casser les crochets en plastique.

- 3) Pour unir à nouveau les deux moitiés du panier, utilisez les deux mains afin de mettre à niveau les deux moitiés et glissez chaque crochet dans les trous ovalisés des deux côtés. À présent, glissez fermement le panier afin de verrouiller l'ensemble en le poussant vers l'avant et en le tirant vers vous afin d'encliqueter facilement les deux moitiés du panier.

- Pour éviter tout risque de blessure, chargez les couteaux et les fourchettes en les orientant vers le bas.
- Mélangez les cuillères, les couteaux et les fourchettes pour un nettoyage plus efficace.
- Ne mélangez pas les articles en acier inoxydable et les couverts en argent car vous risquez d'endommager le fini des articles en argent.
- Ne placez pas les articles de grande taille à proximité du bras supérieur de rotation car il risque de le bloquer.
- Ne chargez pas d'articles en étain ni de filtres. Ces articles n'ont pas été conçus afin d'être placés au lave-vaisselle.



#### Utilisation du détergent:

- La quantité de détergent à utiliser dépendra du type d'eau disponible où vous habitez (eau calcaire ou douce) et du degré de saleté des articles à nettoyer.
- La douceur de l'eau (teneur en calcaire) est mesurée en grains par gallon. Il vous est possible de connaître le niveau de grains en contactant l'Agence de Protection de l'Environnement de votre région.
- Si vous découvrez que la quantité de "grains" dans l'eau est haute, l'eau sera calcaire et vous aurez besoin d'ajouter du détergent. Si le niveau de "grains" est bas, vous aurez besoin de moins de détergent.

Consultez le tableau suivant afin de connaître la teneur en calcaire de votre eau.

Type d'eau	gpg
Dure	10+
Moyenne	4-9
Douce	0-3

**Remarque:** Si le niveau de grains est supérieur à 12, l'eau est très calcaire. Vous devrez ajouter un adoucisseur d'eau afin d'améliorer la qualité de l'eau et le rendement de votre lave-vaisselle.

**Remarque:** La qualité du détergent fera une grande différence pour le nettoyage de la vaisselle. Si vous utilisez un détergent humide, en grumeaux ou trop vieux, ce dernier risque de ne pas être efficace car les ingrédients actifs ne fonctionneront plus.

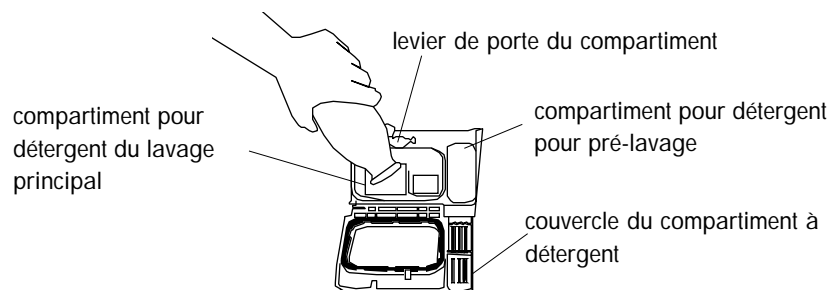
**Remarque:** Utilisez uniquement le détergent pour lave-vaisselle "**Recommandé par le Fabricant**". Les autres types de détergents qui ne sont pas approuvés pour lave-vaisselle risquent de provoquer de la mousse. N'utilisez pas de détergents asséchés, en grumeaux ou humides. Ces détergents ne se dissolvent pas correctement et ne permettront pas de nettoyer la vaisselle de façon efficace.

### **Verser du détergent dans le lave-vaisselle:**

Veillez à utiliser uniquement la quantité de détergent recommandée. Mesurez et versez le détergent dans le grand compartiment du lavage principal. Le détergent du pré-lavage doit être versé dans le petit compartiment situé à côté du compartiment de lavage principal.

**Remarque:** Pour le pré-lavage, utilisez la moitié de la quantité de détergent nécessaire pour le lavage principal.

- Nous vous conseillons d'utiliser un **Produit de Rinçage** afin de contribuer à retirer les traces et éviter la formation d'une fine pellicule sur vos plats, verres, couverts et ustensiles en plastique.

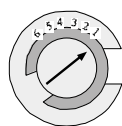
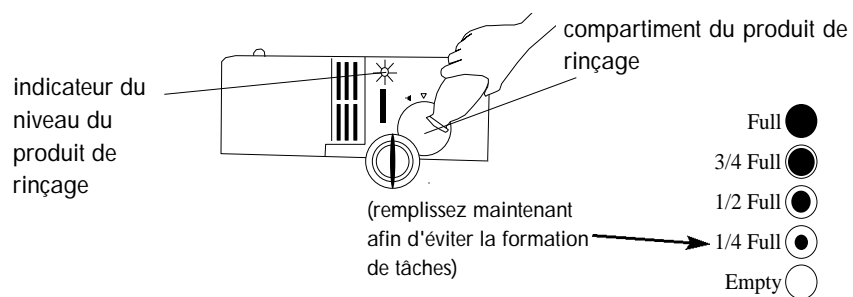


**Remarque:** Versez uniquement un produit de rinçage sous forme liquide dans le distributeur.

### Verser le produit de rinçage dans le distributeur:

Veillez respecter la quantité de produit de rinçage recommandée en fonction de la quantité de vaisselle à laver. Le distributeur du produit de rinçage se trouve à côté du distributeur de détergent. Pendant le cycle de lavage, il libère automatiquement une quantité prédéterminée du produit pendant le dernier cycle de rinçage.

Lorsque le distributeur est plein, l'indicateur transparent sera sombre. Lorsqu'il est vide, l'indicateur est clair et vous devrez rajouter du produit.



**Remarque:** Un distributeur plein devrait durer environ un mois. Si vous désirez régler la quantité de produit de rinçage libéré, le distributeur possède 1 à 6 réglages de niveau. Il vous suffit de tourner le cadran au réglage désiré.

### **Vérifier la température de l'eau:**

- La température de l'eau doit être d'au moins 120°F (49°C) et au plus 150°F (66°C) mais ne doit pas dépasser 150°F (66°C) pour un nettoyage efficace et afin d'éviter d'endommager les plats.

**Remarque:** La température minimum de l'eau à l'arrivée doit être d'au moins 120°F (49°C) afin que le détergent puisse se dissoudre correctement.

Si vous n'êtes pas certain de la température de l'eau chaude:

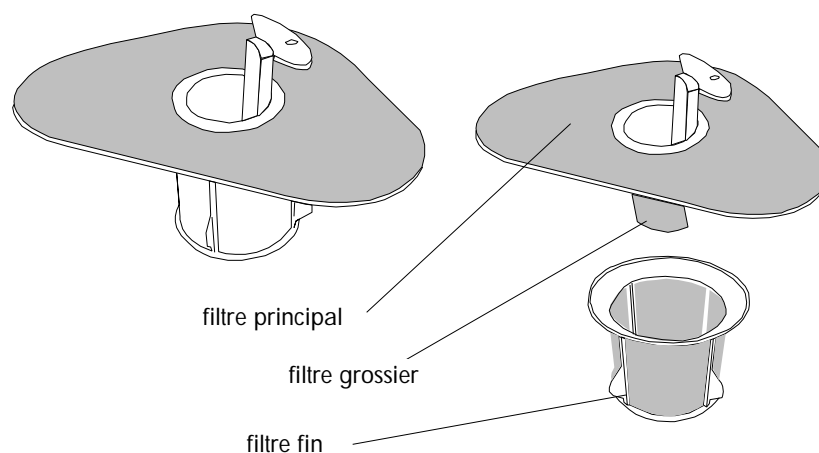
1. Il vous suffit d'ouvrir le robinet d'eau chaude et de laisser l'eau couler pendant une minute et remplissez un verre.
2. Placez un thermomètre dans le verre et vérifiez la température de l'eau.
3. Si la température est inférieure à 120°F (49°C), il vous faudra régler le régulateur d'eau afin que la température demeure à la même température.

### **Dispositif de protection anti-débordement:**

- Au cas où l'arrivée d'eau à la machine n'est pas coupée par le programme de commande et le niveau d'eau dépasse le niveau acceptable, le dispositif de pression automatique enclenchera la pompe d'évacuation et l'eau sera immédiatement évacuée.

## Comprende le Système de Filtrage

Pour vous faciliter les choses, le système de filtration se trouve dans la cuve, sous le panier inférieur. Le système de filtration possède trois niveaux: un filtre principal, un filtre grossier et un filtre fin.



**Filtre principal:** Le filtre principal sert à piéger la nourriture et autres particules.

**Filtre grossier:** Le filtre grossier sert à piéger les gros éléments tels que les morceaux d'os ou de verre qui risquent de boucher la canalisation d'évacuation.

**Filtre fin:** Le filtre fin sert à piéger les petits résidus d'aliments et autres particules afin d'éviter qu'ils ne se déposent à nouveau sur la vaisselle lors du cycle de lavage.

**Avertissement:** Ne jamais utiliser le lave-vaisselle si les filtres ne sont pas en place. Le non-respect de cette consigne risque de boucher la canalisation d'évacuation et d'endommager la pompe.



## Articles Lavables au Lave-Vaisselle ou Lavables à la Main

Types de matériaux	Lavable aisselle		Commentaires	Explications
	Oui	Non		
Aluminium	X		Soumis à certaines restrictions. Lire les instructions de lavage fournies par le fabricant avant de placer les articles dans le lave-vaisselle.	Certains matériaux comme l'aluminium anodisé risquent de ternir ou de devenir sombre au contact de l'eau chaude. Une certaine décoloration risque de se produire. Placez les articles loin des autres articles car ils risquent de laisser des traces grises ou noires.
Fonte		X	Non recommandé. Laver uniquement à la main, sécher immédiatement après le lavage.	Le fer rouillera au contact de l'eau et irrémédiablement endommagé au contact de l'eau chaude.
Porcelaine	X		Soumis à certaines restrictions. Lire les instructions de lavage fournies par le fabricant avant de charger le lave-vaisselle. Remarque: Uniquement si l'article comporte l'indication "Dishwasher Safe" ("Lavable au lave-vaisselle"). Soumis à certaines restrictions.	Vous pouvez laver les articles en porcelaine non décorés. Vous pouvez également laver les articles en porcelaine décorés protégés par un enduit vitrifiable spécial. Tout motif figurant sur cet enduit avec des motifs en or ou en argent risque de ternir au contact de l'eau chaude. Veillez à ce que ces articles soient loin des uns des autres afin d'éviter de les rayer et de les endommager.
Cuivre	X		Lire les instructions de lavage fournies par le fabricant avant de charger le lave-vaisselle.	Placez les articles en cuivre loin des articles en acier inoxydable. Ne pas mélanger les articles en cuivre et les articles en argent dans le même panier car ils risquent de rapidement se décolorer.
Cristale		X	Non recommandé. Laver uniquement à la main, sécher immédiatement après le lavage. Lire les instructions de lavage fournies par le fabricant avant de charger le lave-vaisselle.	Certains types de cristal (par ex: le cristal au plomb) risquent de se rayer contact de l'eau chaude). Ne pas placer d'articles de collection et d'articles jugés très fragiles dans le lave-vaisselle. Il est recommandé de laver les articles en cristal avec une eau à basse température. Lorsque vous nversent ou se cognent les uns aux autres.

## Articles lavables au lave-vaisselle lavables à la main (suite)

Types de matériaux	Lavable vaisselle		Commentaires	Explications
	Oui	Non		
Dirilyte (couverts de couleur or)		X	Non recommandé. Laver uniquement à la main. Lisez les instructions de lavage fournies par le fabricant avant de charger le lave-vaisselle.	Ces articles risquent de se décolorer.  Ces articles ne sont pas lavables au lave-vaisselle,
Plastique jetable		X	Non recommandé. Laver uniquement à la main. Lisez les instructions de	Il vous est possible de laver certains verres afin d'éviter de laisser des taches.
Verres	X		Lavage fournies par le fabricant avant de charger le lave-vaiss nées par le fabricant avant de charger le lave-vaisselle.	Videz les verres et les tasses de tout liquide tel que jus de fruit, soupe, boisson gazeuse, café ou thé avant de les placer dans le lave-vaisselle.
Couteaux		X	Non recommandé. Laver uniquement à la main à l'eau froide. Remarque: couteaux risquent de s'émousser au contact de l'eau chaude. Lisez les instructions le fabricant charger le lave-vaisselle.	Parfois il est possible que le manche du couteau (en bois ou autre matériau) risque de craquer, de se desserrer ou de se détériorer en raison de la chaleur de l'eau.
Cristal au plomb		X	Non recommandé. Laver uniquement à la main. Lisez les instructions de lavage fournies par le fabricant avant de charger le lave-vaisselle.	Ces articles risquent de se rayer si vous les lavez au lave-vaisselle.
Articles autres que vaisselle		X	Non recommandé. Laver uniquement à la main. Lisez les instructions de lavage fournies par le fabricant avant de charger le lave-vaisselle.	Ne jamais laver des articles tels que des filtres à air électroniques ni tout autre appareil électronique de petite taille.
Revêtements non adhésifs	X		Soumis à certaines exceptions et restrictions. Lisez les instructions de lavage fournies par le fabricant avant de charger le lave-vaisselle si l'article comporte l'indication "Dishwasher Safe" ("Lavable au lave-vaisselle").	Après le lavage, recommandé d'essuyer la surface non-adhésive avec de végétale afin qu'elle conserve ses propriétés anti adhésives.
Étain		X	Non recommandé. Laver uniquement à la main à l'eau froide. Laver le lave-vaisselle.	Cet article présentera des taches ou se décolorera si vous le placez dans le lave-vaisselle.

**Articles lavables au lave-vaisselle lavables à la main (suite)**

Types de matériaux	Lavable vaisselle		Commentaires	Explications
	Oui	Non		
Plastique	X		Uniquement si l'article comporte l'indication "Dishwasher Safe" ("Lavable au lave-vaisselle"). Lisez les instructions de lavage fournies par le fabricant avant de charger le lave-vaisselle.	Placez les articles plastique loin des articles pointus afin de ne pas les endommager. Il est recommandé de placer des articles en plastique dans le panier supérieur. Ne sécher pas ces articles à la chaleur. Ne pas laver les articles en plastique jetables.
Articles en argent ou plaqués argent	X		Remarque: Rincez immédiatement ces articles si vous comptez les laver plus tard car les aliments acides ou salés risquent de surface pendant un certain temps.	Ne placez pas les articles en acier inoxydable et les couverts en argent dans le même panier. Les couverts risquent d'être endommagés si ces derniers touchent les articles en acier inoxydable.
Acier inoxydable	X		Remarque: Rincez immédiatement ces articles si vous comptez les laver plus tard car les aliments acides ou salés risquent de les tacher si ces derniers demeurent en contact avec la surface pendant un certain temps.	Ne placez pas les articles en acier inoxydable et couverts en argent dans le même panier. Les couverts risquent d'être endommagés si ces derniers touchent les articles en acier inoxydable. Ne placez pas d'articles en différents types d'acier dans le même panier.
Métal		X	Remarque: Ne mélangez pas les articles en acier inoxydable et les couverts en argent fabricant avant de charger le lave-vaisselle.	Ne placez pas d'articles en étain dans le lave-vaisselle.
Bois		X	Non recommandé. Remarque: Cet article rouillera. Lisez les instructions de lavage fournies par le fabricant avant de charger le lave-vaisselle.	Il est possible que les articles en bois risquent de craquer ou de perdre leur forme en raison de la chaleur de l'eau.

## Nettoyage et entretien du lave-vaisselle

### Nettoyage général et entretien:

- N'utilisez pas de nettoyeurs abrasifs, de solvants, de détergents concentrés ni de tampons récurseurs afin de nettoyer l'intérieur du lave-vaisselle.
- Utilisez de l'eau chaude savonneuse avec une brosse douce ou un chiffon afin de nettoyer l'intérieur du lave-vaisselle.
- Nettoyez autour du joint du lave-vaisselle avec un chiffon humide.
- Lorsque vous nettoyez le panneau de commande, utilisez un chiffon légèrement humide puis séchez complètement.
- Lorsque vous nettoyez l'extérieur de l'habillage, utilisez de l'eau savonneuse avec un chiffon doux.
- N'utilisez pas d'objets pointus qui risquent de rayer la surface de l'habillage.

### Nettoyer les filtres du lave-vaisselle:

- Nous vous recommandons de laver et nettoyer avec précaution régulièrement les trois filtres avec de l'eau chaude savonneuse. Lavez-les et rincez-les complètement afin d'éviter tout encrassement et toute accumulation de résidus chimiques.
- Les filtres se trouvent à l'intérieur du lave-vaisselle sous le panier inférieur.
- Après la fin du cycle de lavage et de séchage, attendez quelques minutes jusqu'à ce que le lave-vaisselle ait complètement refroidi afin de retirer les filtres.
- Retirez le panier inférieur avant de retirer le filtre.
- Retirez et nettoyez tout résidu des filtres avec du savon et de l'eau; ensuite essuyez-les avec un chiffon doux.
- Après avoir terminé de nettoyer les filtres, replacez-les dans leur position d'origine à l'intérieur du lave-vaisselle.

### Mesures afin d'éviter que le lave-vaisselle ne gèle:

Veillez à protéger votre lave-vaisselle si ce dernier est laissé dans un endroit non-chauffé pendant l'hiver.

- Coupez l'alimentation électrique au lave-vaisselle.
- Coupez l'arrivée d'eau et débranchez le tuyau d'alimentation du robinet d'eau.
- Vidangez et purgez l'eau de l'arrivée d'eau dans l'évier ou bac de récupération.
- N'installez pas et ne mettez pas en marche le lave-vaisselle lorsque la température est inférieure à 32°F (0°C).
- Si vous venez de prendre livraison d'un lave-vaisselle lorsque la température externe est inférieure à 32°F (0°C), n'utilisez pas le lave-vaisselle jusqu'à ce que ce dernier se soit réchauffé à la température de la pièce.

### Remisage du lave-vaisselle dans un environnement froid:

- Remisez le lave-vaisselle à la température ambiante de la pièce.

## Guide de Dépannage

### Le lave-vaisselle ne fonctionne pas:

- Vérifiez si le disjoncteur a besoin d'être réarmé ou si le fusible doit être remplacé.
- Vérifiez si la machine se trouve en mode "OFF" (arrêt).
- Vérifiez si la porte est ouverte. Il vous faudra fermer la porte correctement.
- Vérifiez que vous avez bien pressé le bouton "POWER" après votre sélection.

### Les plats, les verres et les couverts sont sales et recouverts d'une fine pellicule calcaire:

- Vous utilisez sans doute un détergent périmé ou de mauvaise qualité.  
Assurez-vous que le détergent est neuf et de bonne qualité.
- L'eau est sans doute calcaire (dure) dans votre région.  
Vous devrez installer un adoucisseur d'eau.
- Les bras d'arrosage sont sans doute bloqués.  
Changez la disposition des plats et des ustensiles.
- La pression de l'eau est sans doute trop basse.  
Réglez la pression de l'eau.  
Assurez-vous qu'elle se trouve entre 20 et 120 PSI.
- La température de l'eau est sans doute inférieure à celle recommandée:  
(120°F / 49°C) Il vous faudra peut-être régler le régulateur d'eau.
- Le lave-linge est trop chargé.  
Changez la disposition des plats ou retirez quelques plats.
- (Il est possible que vous ayez choisi le mauvais cycle.) Le cycle n'est pas le bon:  
Choisissez le cycle qui convient.

### Les plats ne sont pas secs:

- La température de l'eau est trop basse.  
Il vous faudra sans doute régler la température afin qu'elle demeure à 120°F  
(49°C) ou sélectionnez l'option de lavage à haute température "HI-TEMP WASH".
- Assurez-vous que le distributeur de produit de rinçage est plein et que la dose adéquate utilisée est la bonne.
- Évitez que le produit se dépose en un seul endroit et veillez à ne pas trop charger de vaisselle.
- Placez la vaisselle en l'inclinant si possible afin que l'eau puisse s'écouler facilement.
- La vaisselle lavée à haute température sèche plus rapidement.
- Certains matériaux en plastique risquent de devoir être essuyés à la main.

**Les plats sont ébréchés:**

- Ceci se produit si les plats ont mal été disposés dans les paniers ou si le lave-vaisselle a été trop chargé. Veillez à ne pas trop charger la machine. Placez les articles en verre fermement contre les tiges de fixation. Assurez-vous que les articles fragiles se trouvent dans le compartiment latéral. Nous vous recommandons de laver à la main les articles en porcelaine et en cristal.
- Ne forcez pas les verres les uns contre les autres lorsque vous les placez dans le lave-vaisselle.
- Placez les articles fragiles dans le panier supérieur.
- Ne pas ranger de grands plats ou de casseroles près du bras pulvérisateur central car ils risquent de bloquer le parcours du bras.
- Sortez et replacez lentement les paniers afin d'éviter que ces derniers ne viennent frapper les uns contre les autres.
- Assurez-vous que les plats et les verres sont tous bloqués en place afin d'éviter que ces derniers ne se renversent ou se cognent les uns aux autres.

**Bruit:**

Certains des bruits sont normaux:

- Vous entendrez le bruit de l'eau qui coule et du cycle de rinçage.
- Vous entendrez le moteur de la pompe d'évacuation fonctionner afin de pomper l'eau pour l'évacuer.
- Vous entendrez le moteur s'arrêter à la fin de chaque cycle.
- Si certains ustensiles ne sont pas fixés dans les compartiments, vous les entendrez remuer à l'intérieur du lave-vaisselle.

**Mousse trop abondante:**

Ceci se produit lorsque vous utilisez un détergent vaisselle destiné usage à la main.

Vérifier que le détergent est approuvé pour lave-vaisselles. Dans le cas contraire, vous devrez utiliser un détergent adéquat pour lave-vaisselles.

**Les plats ont une odeur:**

- Ceci se produit lorsque le cycle de lavage n'a pas été complètement effectué. Vous devrez laisser le cycle complètement s'effectuer.
- Le nouveau détergent que vous venez d'utiliser possède une senteur: Ceci est normal car les différents types de détergents possèdent des senteurs différentes.

### **Gravage:**

- Vous utilisez trop de détergent.  
Utilisez la quantité adéquate de détergent. Réduisez la quantité de détergent utilisée pour chaque utilisation.
- L'eau est trop chaude.  
Réduisez la température de l'eau.
- Vous utilisez un détergent trop vieux ou périmé.  
Évitez d'utiliser un détergent trop vieux. Vérifiez la date limite de validité. Utilisez uniquement un détergent neuf.
- Ne rincez pas la vaisselle avant de la placer dans la machine.  
Retirez tout simplement les particules d'aliments en grattant légèrement.

### **Présence de traces à l'intérieur du lave-vaisselle:**

- Certains détergents contiennent des colorants tels que des pigments ou de teinture qui risquent de décolorer le lave-vaisselle avec le temps. Utilisez un détergent sans colorants. Attentivement l'étiquette contenant avant d'utiliser le détergent.
- Certains aliments à base d'acide citrique et de crème risquent de décolorer le lave-vaisselle. Utilisez le cycle de rinçage afin de réduire le niveau de coloration.

### **Les verres et les couverts sont recouverts de taches et d'une fine pellicule calcaire:**

La cause:

- Vous n'utilisez pas assez de détergent.
- La pression de l'eau est trop faible ou l'eau n'est pas assez chaude.
- Le lave-vaisselle n'a pas été chargé correctement.
- Vous utilisez un détergent trop vieux, ou une poudre humide.
- L'eau de votre région est trop calcaire.

## Eau

### Problème d'évacuation:

- Vérifiez le niveau du tuyau d'évacuation. Le tuyau doit être placé au-dessus de l'ouverture d'évacuation afin que l'eau s'écoule sans problème. Assurez-vous que l'évacuation se fait par l'intermédiaire d'une boucle d'au moins 50 cm au dessus du sol ou du faux plancher.
- Si le tuyau d'évacuation est tordu ou rétréci, cela risque d'affecter l'écoulement de l'eau.
- Si l'eau ne peut être évacuée sans difficulté, le lave-vaisselle risque de s'arrêter en milieu de cycle.
- Assurez-vous que le cycle de lavage est complètement terminé avant d'ouvrir la porte du lave-vaisselle. Si le cycle de lavage n'est pas complètement terminé, laissez le cycle se finir et vérifiez à nouveau.
- Assurez-vous que le clapet anti-retour n'est pas bloqué.
- Si la machine est raccordée à un vide-ordures électrique, assurez-vous qu'il n'est pas plein. Si ce dernier est plein, videz-le.
- Vérifiez que rien ne bloque la conduite d'évacuation ou l'espace proche du filtre du lave-vaisselle.
- Si l'eau se met à refouler dans l'évier, vous devrez vérifier le vide-ordures afin de vous assurer que le dispositif n'est pas bouché.
- La présence d'eau dans le bac de décantation à proximité de la conduite d'évacuation est normale.

### Instructions pour purger l'eau de la cuve:

- 1) Éteignez la machine et attendez quelques secondes.
- 2) Réglez le bouton de lavage sur "RINSE & HOLD".
- 3) Allumez à nouveau le lave-vaisselle et vous entendrez un bruit d'eau en train d'être évacuée.
- 4) Laissez l'eau s'évacuer pendant environ 30 secondes et éteignez à nouveau le lave-vaisselle.
- 5) Si il reste de l'eau dans la cuve, reprenez les étapes 1 à 3 jusqu'à ce que l'eau ait été complètement évacuée.
- 6) Si vous remarquez qu'il reste encore de l'eau dans la cuve après avoir effectué ces étapes, appelez le service à la clientèle de Haier au 1-800-337-3639 pour toute assistance.



### **Le lave-vaisselle fuit:**

- Le lave-vaisselle n'est pas à niveau.  
Placez la machine sur une surface plane et dure. Évitez les surfaces inégales.
- Assurez-vous que le lave-vaisselle est correctement mis à niveau. (Voir les instructions d'installation).
- Veillez à ne pas trop remplir le distributeur de détergent ou de produit de rinçage car le lave-vaisselle se mettra à déborder ou à mousser excessivement.
- N'utilisez pas de savon pour les mains ou de liquide vaisselle dans le distributeur de détergent. Ces types de détergent ne sont pas recommandés pour les lave-vaisselles.

### **Le lave-vaisselle ne se remplit pas d'eau:**

- Vérifiez la source d'alimentation en eau.  
Assurez-vous que l'arrivée d'eau est ouverte (position "On").
- Vérifiez la pression de l'eau.  
Assurez-vous que la pression de l'eau est au niveau recommandé (Entre 20 et 120 PSI)

### **Présence d'eau sous le filtre:**

- Ceci est normal. Après avoir évacué l'eau, il reste un peu d'eau sous le filtre.

### **Il y a du détergent dans le compartiment:**

- Ne placez pas la vaisselle trop près du compartiment à détergent. Vous risquez de bloquer la sortie automatique du détergent.
- N'utilisez pas de détergent périmé ou en grumeaux dans le compartiment car il ne se dissoudra pas correctement et laissera un résidu sableux sur la vaisselle.

### **Le lave-vaisselle fonctionne trop longtemps:**

- La température de l'eau arrivant à la machine doit être d'au moins 120°F (49°C). Réglez votre chauffe-eau sur un réglage plus haut afin de réduire le temps de fonctionnement.
- Contactez le service à la clientèle de Haier si vous n'arrivez pas à résoudre le problème.

## Garantie Limitée

### Service à domicile

#### Garantie totale d'1 an

Pour une durée de 12 mois à partir de la date d'achat, Haier s'engage à réparer ou à remplacer gratuitement et sans frais de main d'oeuvre, toute pièce se rompant en raison d'un vice de fabrication ou matériau utilisé.

#### Garantie limitée 2 ans

##### Le circuit de distribution d'eau (les pièces uniquement)

Pour une durée de 24 mois à partir de la date d'achat, Haier s'engage à réparer ou à remplacer en raison d'un vice de fabrication. Ceci comprend la pompe, le moteur, le bras et le jets pulvérisateur supérieur avec le tube d'alimentation et les filtres.

**REMARQUE:** L'entrée extérieure et les pièces de plomberie du raccord d'évacuation ne sont pas couvertes par cette garantie.

##### Les paniers à revêtement en vinyle (les pièces uniquement)

Pour une durée de 24 mois à partir de la date d'achat, Haier s'engage à remplacer gratuitement tout panier supérieur ou inférieur dont le revêtement en vinyle pèle ou rouille en raison d'un vice de fabrication

##### Bouton rotatif ou commande électromécanique (les pièces uniquement)

Pour une durée de 24 mois à partir de la date d'achat, Haier s'engage à remplacer gratuitement toute commande électromécanique rompant en raison d'un vice de fabrication

##### Garantie à vie (pièces uniquement)

##### La cuve de lavage en acier inoxydable et le joint de porte.

Haier remplacera la cuve de lavage en acier inoxydable et le joint de porte si le bac d'origine ou la porte présente une fuite en raison d'un vice de fabrication.

**REMARQUE:** La couverture de cette garantie commence à la date d'achat de cet appareil et le reçu d'achat d'origine devra être présenté au représentant agréé de service après-vente avant que toute réparation puisse être effectuée.

##### Exceptions: Garantie pour usage commercial ou de location

Couverture de 90 jours à partir de la date d'achat d'origine.

Couverture de 90 jours pour pièces à partir de la date d'achat d'origine.

##### Pour bénéficier service après-vente:

Contactez votre centre de réparation agréé le plus proche. Toutes les réparations doivent être effectuées par un centre de réparation agréé Haier. Veuillez composer le 1-877-337-3639 pour obtenir le nom et le numéro de téléphone du centre de réparation le plus proche.

##### Avant de nous appeler, veuillez avoir les informations suivantes à portée de main:

Le numéro du modèle, le numéro de série de votre machine (ces informations se trouvent à

l'arrière de la machine dans le coin).

Le nom et l'adresse du revendeur auprès

duquel vous avez acheté l'appareil et la date.

Une description claire du problème.

Une preuve d'achat (reçu de vente).

**Cette garantie couvre les appareils aux États-Unis (sur le continent), à Puerto Rico et au Canada. Cette garantie ne couvre pas:**

Le remplacement ou la réparation des fusibles du domicile, des disjoncteurs, du câblage et de la plomberie.

Tout appareil dont le numéro de série d'origine a été retiré ou altéré.

Les frais de réparation jugés anormaux tels

que les réparations effectuées dans une autre

région ou ne correspondant pas aux horaires

d'ouverture du centre de service après-vente.

Les plats, les verres et les couverts abîmés.

Les dommages survenant lors du transport.

Les dommages survenant suite à une

installation ou une réparation incorrecte.

Les dommages et dégâts survenant suite à

toute utilisation incorrecte, abusive, ou une.

Les dommages survenant suite à des

réparations ayant été effectuées par un

concessionnaire ou revendeur autre que par

un centre de réparation agréé Haier.

d'une tension, source de courant ou

d'alimentation électrique incorrecte.

cation du produit ou à un réglage non

approuvé par Haier.

Le réglage des commandes d'utilisation

indiquées dans la notice.

Les tuyaux, les boutons, le compartiment

réservé au détergent, le compartiment réservé

au produit de rinçage et les accessoires de

déplacement, de transport et d'expédition

couvrant le démontage, le remplacement des

pièces défectueuses au-delà des 12 premier

mois de couverture initiale.

Les dommages autres que les dommages

jugés normaux lors d'une utilisation à

domicile normale.

Les frais de transport et d'expédition.

LA PRÉSENTE GARANTIE REMPLACE TOUTE

AUTRE GARANTIE EXPRESSE OU IMPLICITE

Y COMPRIS TOUTE GARANTIE DE

COMMERCIALISABILITÉ OU DE QUALITÉ

MARCHANDE ET D'APTITUDE À UNE

UTILISATION PARTICULIÈRE.

Le recours offert par la garantie est un

recours exclusif et tient lieu de recours

unique. Cette garantie ne couvre pas les

dommages accessoires ou indirects. Certains

états ou provinces ne permettent ni limitation

de la durée d'une garantie implicite de

dommages indirects. Les limites ou exclusions

mentionnées ci-dessus peuvent ne pas

s'appliquer dans votre cas. Cette garantie

vous confère des droits juridiques particuliers

et il est possible que vous ayez d'autres droits

qui peuvent varier selon l'état et la province.

Haier America  
New York, NY 10018

# INSTRUCCIONES IMPORTANTES DE SEGURIDAD

**Advertencia – Para reducir los riesgos de incendio, choque eléctrico o lesiones a personas que usan la unidad, observe precauciones básicas, incluyendo:**

1. **Lea todas las instrucciones antes de usar la unidad.**
2. Use la unidad únicamente para el objeto para el cual ha sido diseñada, como se describe en este manual de utilización y cuidado.
3. Use únicamente detergente para lavaplatos automático y aditivo de enjuague recomendados para ser usados en esta unidad y manténgalos fuera del alcance de los niños porque son corrosivos y nocivos.
4. Esta unidad debe instalarse apropiadamente, de acuerdo con las instrucciones de instalación, antes de ser usada.
5. Nunca desenchufe la unidad tirando del cable de alimentación. Siempre tome el enchufe firmemente y sáquelo del receptáculo tirando directo hacia afuera.
6. Reemplace inmediatamente cables de alimentación eléctrica gastados, enchufes flojos o receptáculos eléctricos en mal estado.
7. Desenchufe la unidad antes de limpiarla o de hacerle cualquier reparación.
8. No abra la puerta de la lavadora de platos inmediatamente después de terminar el proceso de lavado, ni durante la operación, pues el aire y el vapor calientes pueden producirle quemaduras. Presione el cerrojo de la puerta y espere unos pocos segundos para permitir que el aire frío entre, y luego abra la puerta.
9. No opere la unidad en lugares donde haya una atmósfera explosiva.
10. No le agregue o mezcle a la unidad sustancias inflamables o explosivas.
11. La puerta de carga de la unidad debe mantenerse cerrada durante la operación.
12. No opere la unidad cuando le hagan falta piezas o tenga partes rotas.
13. No use esta unidad para lavado comercial.
14. No opere esta unidad a menos que todos los paneles exteriores del gabinete estén colocados apropiadamente.
15. No trate de modificar los controles.
16. Para reducir el riesgo de lesiones, no permita que los niños jueguen con la unidad, o dentro de ella. Es necesario supervisar cuidadosamente a los niños cuando se opera la unidad cerca de ellos.
17. Esta unidad debe estar conectada en un receptáculo eléctrico apropiado, con la fuente de energía eléctrica especificada.

18. Debe asegurarse de que la máquina está correctamente conectada a tierra para reducir los riesgos de incendio o choque eléctrico. **NO CORTE O REMUEVA LA CLAVIJA DE CONEXION A TIERRA.** Si usted no tiene un receptáculo eléctrico de pared de 3 clavijas, haga que un electricista certificado le instale el receptáculo apropiado. El receptáculo de pared debe estar conectado a tierra.
19. Si el calentador de agua no se ha usado por más de 2 semanas, puede producir hidrógeno. Este gas puede ser explosivo y puede circunstancias. Si este es el caso, antes de usar la unidad abra las llaves de agua caliente y deje que el agua circule por unos pocos minutos. Esta precaución permitirá que el hidrógeno acumulado escape. Durante este proceso, para evitar accidentes, no encienda ninguna unidad eléctrica, no fume, ni encienda cerillas o encendedores, lama. El hidrógeno es un gas inflamable y puede explotar.
20. No trate de reemplazar o reparar cualquier pieza de la unidad o de darle servicio, a menos que la reparación esté específicamente recomendada en el manual del usuario, la entienda claramente y tenga la destreza para realizarla.
21. Para reducir el riesgo de choque eléctrico o incendio, no use cables extensión o adaptadores para conectar la unidad a la fuente de corriente eléctrica.
22. No lave objetos sensibles al calor o cualquier otro objeto que no haya diseñado para lavado en lavaplatos automático. Artículos no apropiados para lavar en lavaplatos pueden deformarse, fundirse y posible peligro de incendio.
23. No use este lavaplatos en el exterior.
24. No deje abierta la puerta del lavaplatos para secar los platos, mientras los niños estén en las cercanías de la unidad. Es necesario mantener supervisión y observación cuidadosa cuando haya niños alrededor del lavaplatos.
25. No abuse la máquina, ni se sienta o pare sobre la puerta o la rejilla de los platos de la lavadora de platos.
26. No toque el elemento calentador inmediatamente después del uso, pues puede estar muy caliente.
27. Cargue los objetos puntiagudos tales como cuchillos y tenedores con la punta hacia abajo, para reducir el riesgo de lesiones
28. No ponga artículos de plástico en el lavaplatos a menos que estén marcados para uso en lavaplatos. Revise las recomendaciones del fabricante para aquellos artículos que no estén así marcados.
29. No ponga artículos afilados o puntiagudos cerca de la puerta; pueden dañar el sello de la puerta.
30. Cuando vaya a descartar el lavaplatos viejo o ponerlo fuera de servicio, quítele la puerta del frente.
31. Desconecte la corriente eléctrica y la manguera de entrada de agua al lavaplatos antes de darle servicio.

**GUARDE ESTAS INSTRUCCIONES**

## Índice

	PAGE
<b>INSTRUCCIONES DE SEGURIDAD</b> .....	<b>1-2</b>
<b>Conozca el lavaplatos</b> .....	<b>4-6</b>
<b>Uso del lavaplatos</b> .....	<b>7-17</b>
<b>Sistema de Filtración</b> .....	<b>18</b>
<b>Artículos Lavables en Forma Segura</b> .....	<b>19-21</b>
<b>Cuidado y Limpieza del lavaplatos</b> .....	<b>22</b>
<b>Resolución de Problemas</b> .....	<b>24-28</b>
<b>Garantía</b> .....	<b>29</b>

Gracias por su compra de este producto Haier. Este manual de fácil consulta lo guiará para obtener el mejor servicio de su lavaplatos.

Recuerde registrar aquí los números de serie y modelo de la máquina. Los encontrará en una etiqueta en el respaldo del lavaplatos.

\_\_\_\_\_

*Modelo numero*

\_\_\_\_\_

*Serie numero*

\_\_\_\_\_

*Fecha de Compra*

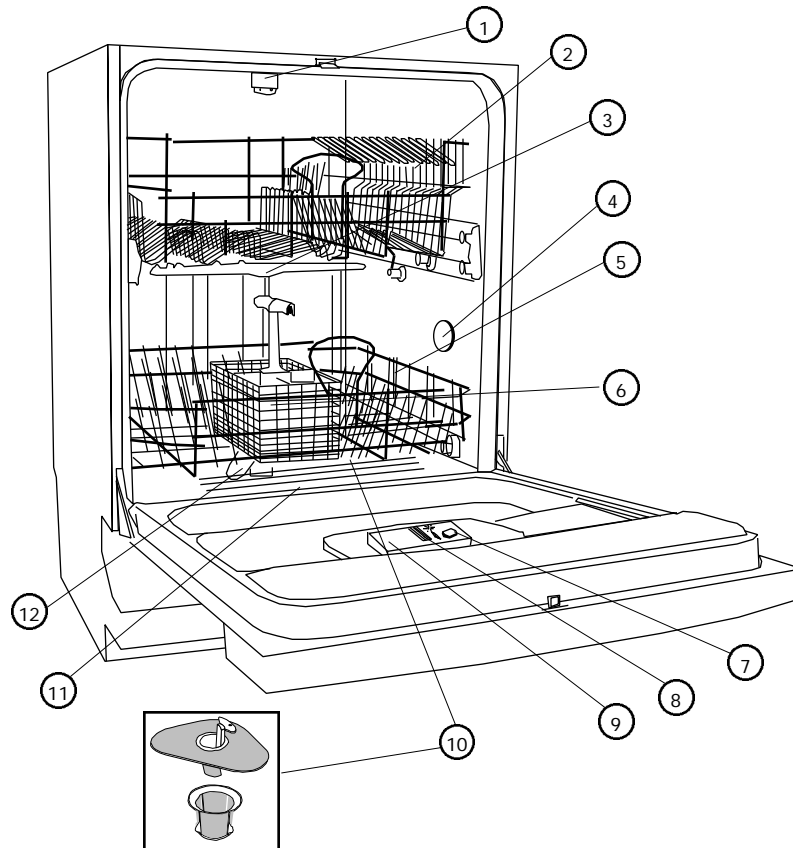
Agrafer le ticket de caisse au guide. **Il devra être présenté pour tout service après-vente sous garantie.**

Todas las figuras en este manual de uso y cuidado del lavaplatos son ilustrativas únicamente. Las partes que se muestran en las figuras pueden ser diferentes de la unidad real. Las especificaciones y sus características están sujetas a cambio sin previo aviso.

# Conozca el lavaplatos

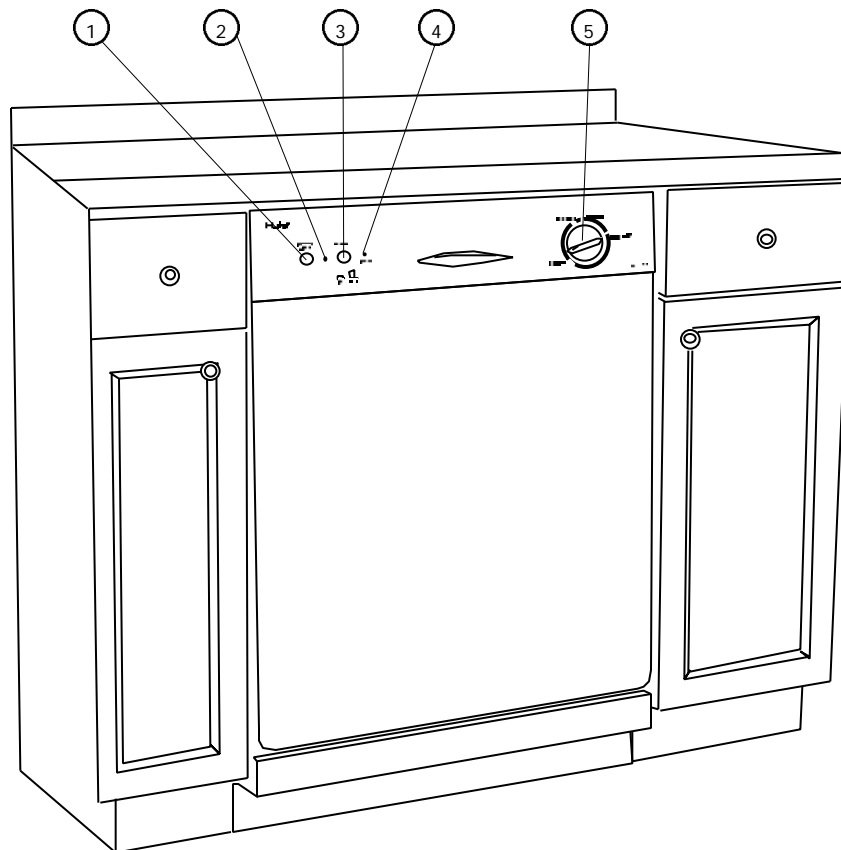
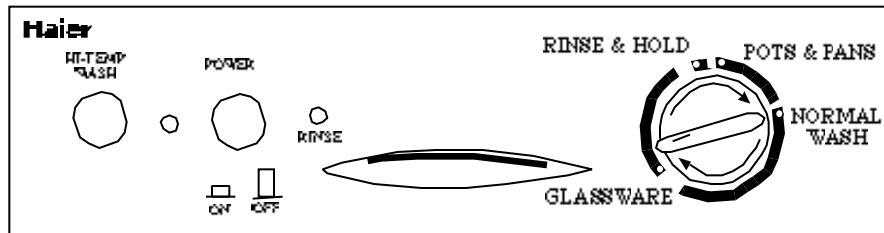
## Partes y Características

(Vista Frontal con la Puerta Abierta)



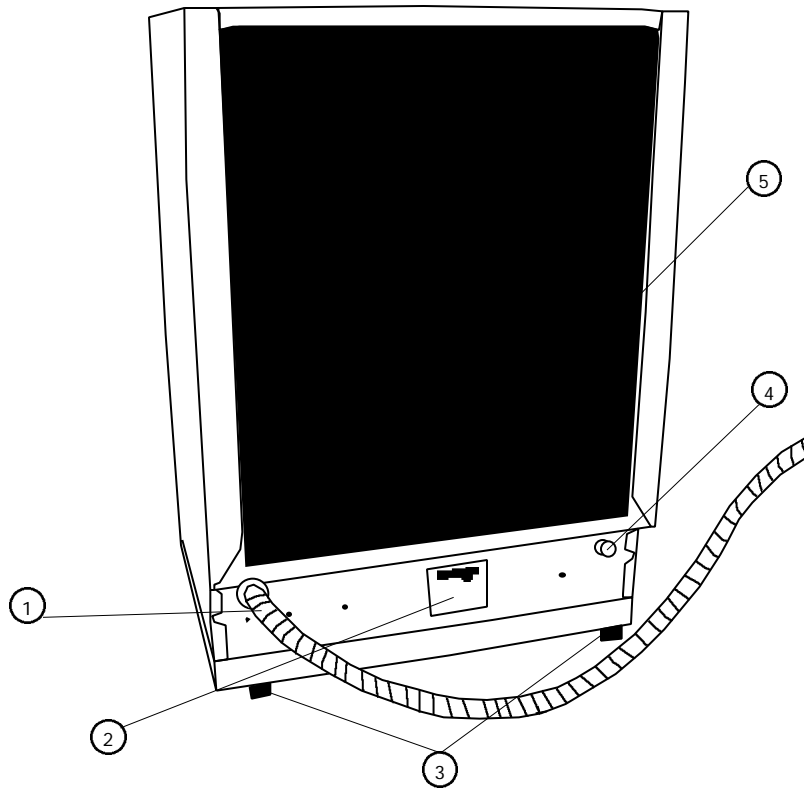
- |   |  |
|---|--|
| 1. Rociador Superior  | 8. Receptáculo del Detergente de Pre - Lavado  |
| 2. Rejilla Superior Ajustable, de Lujo, de 2 Posiciones, con Soportes para Copas                | 9. Receptáculo del Detergente de Lavado Principal  |
| 3. Brazo de Rocío, Intermedio   | 10. Sistema de Filtración Triple (Localizado en la parte inferior, bajo la Rejilla Inferior) |
| 4. Válvulas de Alivio de Presión - Una ubicada en la esquina superior izquierda (no se muestra) | 11. Elemento Calentador (Ubicado en la parte trasera y bajo la rejilla inferior)             |
| 5. Rejilla Inferior   | 12. Brazo Inferior de Rocío  |
| 6. Canasta Removible con Divisiones para Cubiertos  |  |
| 7. Receptáculo del Aditivo de Enjuague  |  |

(Vista Frontal con la Puerta Cerrada)



- |  |   |
|--|---|
| 1. Botón de Lavado a Alta Temperatura "Hi-Temp" ("On/Off" - Encendido/Apagado) | 4. Luz Indicadora de Revisión de Enjuague |
| 2. Luz Indicadora de Energía Encendida   | 5. Perilla de Selección de Lavado         |
| 3. Botón "Power" de energía (Encendido / Apagado)                              |   |

(Vista Trasera)



1. Manguera de Desagüe (Conectada de Fábrica)
2. Caja de Empalme de las Conexiones Eléctricas (120V / 60Hz – El Enchufe No se Incluye)
3. Patas Niveladoras Traseras
4. Entrada de Agua
5. Panel de Aislamiento del Respaldo



## Uso del lavaplatos

### Explicación del Panel de Control del lavaplatos:

#### Botón de Energía (Power):

- Presione el botón "POWER" para encender la máquina ("ON").
- Presione de nuevo este botón ("OFF") para apagar la máquina.

**Nota:** Cuando la unidad está energizada, verá encendido la Luz Indicadora de Energía ("Power On").

POWER



#### Botón de Lavado a Alta Temperatura (Hi Temp):

- Presione el Botón de "HI-TEMP WASH" para activar ("ON") la opción de lavado a alta temperatura.
- Presione de nuevo este botón ("OFF") para apagar la opción de lavado a alta temperatura.

HI-TEMP  
WASH



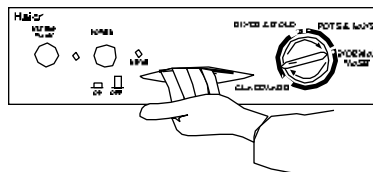
#### Luz Indicadora de Enjuague (Rinse ):

- Cuando la luz indicadora de "RINSE " se ilumina, significa que el detergente aditivo de enjuague se ha terminado en el receptáculo del aditivo de enjuague. En este momento deberá volver a llenarlo con el aditivo de enjuague.

RINSE

#### Cerrojo de la Puerta:

- Para cerrar la puerta con cerrojo, empuje la puerta usando algo de fuerza, hasta que escuche un "Clic."
- Para retirar el cerrojo de la puerta, apriete el cerrojo de la puerta y hálala hacia afuera.



#### Perilla Selectora de Lavado:

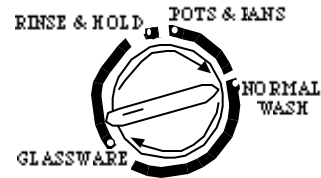
- Cuando seleccione el ciclo de lavado, haga girar la perilla EN LA DIRECCION DE LAS MANECILLAS DEL RELOJ hasta la graduación deseada, manera que el símbolo "Pointer" Indicador de la perilla quede alineado con el símbolo de "dot", punto, del ciclo. Una vez están alineados, presione el botón "POWER" de energía para dar inicio al proceso de lavado. (Usted escuchará "Clic" y el ciclo de lavado empezará automáticamente.) Un "Clic" significará el arranque automático en el ciclo de lavado.



**ADVERTENCIA: La perilla selectora de lavado está diseñada para trabajar únicamente en la del reloj. NO haga girar la perilla EN LA DIRECCION CONTRARIA A LAS MANECILLAS DEL RELOJ. De hacerlo, el selector de dañarse.**

### Selección de los Ciclos de Lavado

- Seleccione el ciclo apropiado, según la carga y el grado de suciedad de la carga. Para conveniencia, el lavaplatos tiene ciclos de lavado para: Ollas y Sartenes; Normal; Cristalería; y Enjuague para Lavado Posterior, que pueden seleccionarse.



#### Ciclo de Lavado "Pots & Pans" (Ollas y Sartenes):

- Este ciclo se usa para artículos tales como ollas y sartenes, utensilios de cocina, vajilla, cubiertos y cristalería muy sucios, con residuos resecos o sobrecocidos.

**Nota:** Este ciclo puede no remover los alimentos quemados.

#### Ciclo de Lavado "Normal":

- Este ciclo se usa para vajilla, cristalería y cubiertos de medianamente sucios a bastante sucios.

#### Ciclo de Lavado "Glassware" (Cristalería):

- Este ciclo se usa para lavar vajilla y cristalería no muy sucia, o platos y cubiertos previamente enjuagados.

#### Ciclo "Rinse & Hold" (Enjuague para Lavado Posterior):

- Este ciclo se usa enjuagar cargas parciales que se lavarán más tarde.

**Nota:** No use detergente en este ciclo.

### Selección de la Opción de Lavado

#### Lavado "Hi-Temp" a Alta Temperatura:

- Esta opción se puede seleccionar con los ciclos de lavado "Pots & Pans" (Ollas y Sartenes), "Normal" o "Glassware" (Cristalería).

**Nota:** No use esta opción con el Ciclo de Enjuague para Lavado Posterior.

**Nota:** Cuando se selecciona esta opción, la temperatura llega de 161°F a 167°F (De 71° a 75°C). "HI-TEMP WASH" (LAVADO A ALTA TEMPERATURA) ayuda a: matar bacterias, disolver detergentes, remover de la sustancias pegajosas y grasosas, y a limpiar la carga en la forma más efectiva.

**Nota:** Cualquier interrupción durante los ciclos de lavado y enjuague, o si la temperatura del agua que entra es demasiado baja, pueden no permitir el logro de una temperatura adecuada del agua, y así afectar la efectividad del Lavado a Alta Temperatura.

## Lista de Control para el Proceso de Lavado

- 1) Asegúrese de que todos los artículos estén adecuadamente colocados en las rejillas y en la canasta de cubiertos.  
**Nota:** No cargue platos o utensilios de cocina grandes cerca del brazo del rociador intermedio, pues pueden obstaculizar su libre rotación.
- 2) Vierta la cantidad adecuada de detergente en el dispensador detergente.  
**Note:** Si la pantalla de la luz indicadora de "RINSE " (ENJUAGUE) está ENCENDIDA indicando que el recipiente está vacío, agregue en este momento el agente Aditivo de Enjuague.
- 3) Cierre la puerta y ponga el cerrojo adecuadamente.
- 4) Si necesita usar la opción "HI-TEMP WASH" (LAVADO A ALTA TEMPERATURA), debe indicarlo antes de seleccionar el ciclo de lavado.  
**Nota:** Esta opción sólo se puede seleccionar con los Ciclos de Lavado: "Pots & Pans" (Ollas y Sartenes), "Normal" o "Glassware" (Cristalería), y NO con el ciclo "Rinse & Hold" (Enjuague para Lavado Posterior).
- 5) Seleccione el ciclo de lavado deseado, haciendo que el indicador de la perilla se alinee con el punto del ciclo. Una vez hecho esto, oprima el botón "POWER" de energía a "ON" (ENCENDIDO). Escuchará un clic y el proceso de lavado se iniciará en este momento.
- 6) Para apagar la energía al final ciclo, simplemente presione el botón "POWER".
- 7) Si usted desea acelerar el proceso de secado después de la terminación del ciclo, mantenga la puerta ligeramente abierta para que salga el aire húmedo.

**Advertencia:** No permita que los niños se acerquen a la máquina cuando la puerta está abierta para secar la vajilla, porque se pueden quemar con el aire caliente y húmedo que sale por la puerta.

## Cancelación o Nueva Graduación del Ciclo de Lavado

**Nota:** El lavaplatos dispensará automáticamente el detergente a pocos minutos de iniciado el lavado. Para evitar la salida del detergente cuando desee cancelar o volver a graduar el ciclo de lavado, se debe presionar inmediatamente el botón "POWER" (ENERGIA).

- Una vez se ha hecho una nueva graduación para un nuevo ciclo de lavado, se debe volver a llenar el receptáculo del detergente, si éste está abierto y vacío, indicando que el detergente ya había sido suministrado por la máquina en el ciclo de lavado escogido anteriormente.

Siga los pasos a continuación para cancelar o volver a graduar un ciclo de lavado:

- 1) Para cancelar o volver a graduar un ciclo de lavado, presione el botón "POWER" (ENERGIA) a la posición "OFF" (APAGADO) para apagar el lavaplatos. Notará que se apaga la luz indicadora de energía.
- 2) Si necesita volver a seleccionar la opción "HI-TEMP WASH" (LAVADO A ALTA TEMPERATURA), debe seleccionarla ahora presionando el botón "HI-TEMP WASH" antes de seleccionar el ciclo de lavado.  
**Nota:** La opción "HI-TEMP WASH" (LAVADO A ALTA TEMPERATURA), no se puede seleccionar en el ciclo "RINSE & HOLD" (ENJUAGUE PARA LAVADO POSTERIOR).
- 3) Para volver a graduar el ciclo de lavado, gire la perilla en la dirección de las manecillas del reloj hasta la graduación del ciclo de lavado que desea.
- 4) Presione de nuevo el botón de "POWER" hasta la posición "ON" (ENCENDIDO) para encender el lavaplatos. Oirá un clic que indica el arranque automático del proceso de lavado. También notará que se enciende la luz indicadora de energía.

#### **Para hacer una Pausa en un Ciclo de Lavado:**

El botón "POWER" sirve para la función "Pause" (Pausa), así como también para encender o apagar la máquina.

Si necesita hacer una pausa en medio del ciclo para agregar o retirar cualquier objeto, siga los pasos que se describen a continuación:

- 1) Presione el botón "POWER" a la posición "OFF" (APAGADO) para que el ciclo haga una pausa. Notará que se apaga la luz indicadora de energía.
- 2) Abra la puerta apretando lentamente el cerrojo de la puerta.  
**Nota:** No abra la puerta antes de que termine la operación de los chorros de agua. Tenga cuidado con el aire caliente y húmedo que puede salir del lavaplatos.
- 3) Agregue o retire objetos. Una vez que haya terminado de hacerlo, simplemente cierre la puerta.
- 4) Presione el botón "POWER" en la posición "ON" (ENCENDIDO) para que continúe el ciclo. Notará que se enciende la luz indicadora de energía.

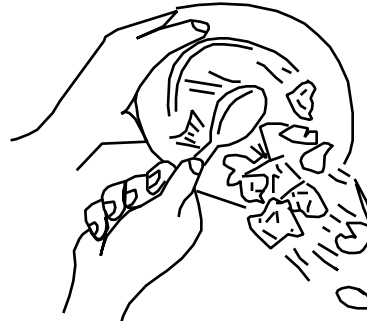
#### **Protección de Puerta Abierta:**

El lavaplatos se detendrá automáticamente si la puerta se abre durante su operación. El lavaplatos no arrancará hasta que la puerta se cierre de nuevo. Una vez se cierre la puerta, el ciclo continuará automáticamente.

### **Preparación Lavado de los Platos:**

Para obtener los mejores resultados, practique el proceso siguiente antes de colocar la vajilla en el lavaplatos:

- Descarte del plato los pedazos grandes de alimento antes de colocarlo en el lavaplatos.
- Igualmente, retire los alimentos pegados y afloje los alimentos quemados.
- Vacíe los líquidos tales como jugo, sopa, gaseosa, café o té, de vasos y tazas antes de colocarlos en la unidad.
- Enjuague los líquidos con base ácida, tales como vinagre o jugo de limón. El no hacerlo, puede manchar los platos, los recipientes de alimentos o el gabinete o cámara de lavado.
- Siempre revise las recomendaciones de los fabricantes de los artículos antes de empezar a lavarlos.



### **Consejos para evitar manchas y películas:**

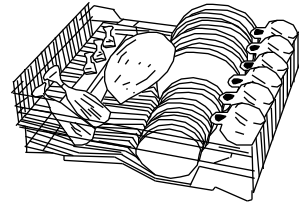
Se recomiendan las siguientes precauciones para evitar manchas y películas en la vajilla y en los utensilios:

- Debe enjuagar toda la vajilla, cubiertos, cristalería y recipientes de comida inmediatamente después de usarlos. Algunos productos alimenticios con base en cítricos, el café, el té y los depósitos de hierro en el agua pueden hacer que se forme una película amarilla o marrón en el interior de los objetos si estos líquidos permanecen en ellos por algún tiempo o si no se enjuagan prontamente.
- Debe revisar la dureza del agua para saber si el lavado requiere usar más o menos detergente. Si el agua es extremadamente dura, puede producir manchas en los objetos. Es posible que pueda necesitar un suavizante o ablandador del agua.
- No sobrecargue el lavaplatos.
- Evite disponer los objetos en forma inapropiada.
- No use poco detergente.
- No use detergente en polvo que está pasado, viejo o húmedo.
- No cargue inadecuadamente los utensilios de aluminio. Los utensilios de aluminio pueden producir marcas grises o negras en la loza de porcelana, si quedan en contacto durante el ciclo de lavado.

### Cómo Cargar la Rejilla Inferior y la Superior:

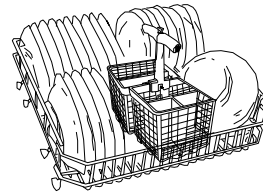
Para conseguir los mejores resultados de limpieza, siga las recomendaciones que se presentan a continuación antes funcionamiento su lavaplatos:

**Nota:** No lave objetos sensibles al calor ni ningún otro artículo diseñado para lavaplatos automáticos.



(anaquel superior)

- Mantenga la vajilla y los recipientes de comida grandes lejos de la rotación del brazo rociador.
- Coloque los recipientes para comida, tales como tazas, vasos, escudillas, cacerolas y cazuelas con la superficie sucia mirando hacia abajo.
- Para evitar cualquier tipo de daño en la cristalería: tazas para café y té, vasos, copas para vino y champaña, no los coloque en la rejilla inferior, sino en la superior.
- Coloque las tazas boca abajo en la parte superior de la rejilla para tazas y copas, y coloque las copas para vino o champaña también boca abajo entre los segmentos divididos de la rejilla para tazas y copas, para que queden bien asegurados.
- No ponga en el lavaplatos vajilla ni recipientes para comida hechos de madera o hierro. Estos objetos no se consideran seguros para el lavaplatos. (Vea detalles en el Cuadro de la página 18.)
- No apiñe los objetos de cristalería cuando los coloque en la máquina.
- Coloque los objetos delicados en la rejilla superior.
- No cargue la vajilla o los utensilios de cocina grandes cerca del brazo central rociador.
- No mueva bruscamente las rejillas, hacia dentro o hacia fuera, para evitar que la vajilla se golpee.
- Asegúrese de que todos los objetos de vajilla y cristalería queden asegurados en su lugar cuando los cargue, para evitar que se caigan o se golpeen entre sí.



(el anaquel más bajo)

### **Sistema Ajustable de la Rejilla Superior:**

La rejilla superior tiene dos posiciones, que permiten modificar el nivel de la rejilla de acuerdo con sus necesidades de espacio. La flexibilidad de la rejilla superior es ideal para lavar objetos grandes de vajilla y de cristalería.

Por Ejemplo: Ajuste la Rejilla a la Posición Más Baja

Esto le ofrece la flexibilidad de cargar copas más altas de vino o champaña en la rejilla superior. Simplemente mueva la rejilla de la posición superior posición inferior.

Por Ejemplo: Ajuste de la Rejilla a la Posición Superior

Le ofrece la flexibilidad de poner platos u objetos altos en la rejilla inferior.

### **Forma de Remover la Rejilla**

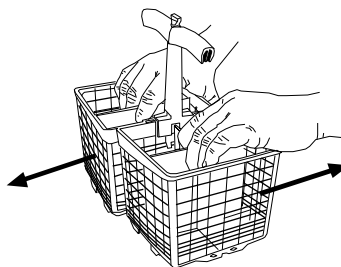
- 1) Abra los resguardos del riel de la rejilla superior por ambos lados.
- 2) Saque la rejilla deslizándola.
- 3) Coloque la rejilla en la posición que desea.
- 4) Cierre por ambos lados los resguardos del riel, de manera que la rejilla se salga.

### **Forma de Cargar la Canasta Dividida de los Cubiertos:**

Su lavaplatos tiene una canasta dividida, con dos compartimientos que pueden separarse para dar mayor flexibilidad en la carga del lavaplatos y poder acomodar cubiertos, losa y utensilios, aprovechando en forma más efectiva la capacidad de la rejilla inferior. Esta opción ahorra espacio cuando sólo se necesita la mitad de la unidad. Simplemente, saque del lavaplatos la canasta de los cubiertos, coloque los objetos que desea pon cubiertos en la canasta y vuelva a colocar la en la rejilla.

### **Pasos para Separar las Secciones de la Canasta de los Cubiertos**

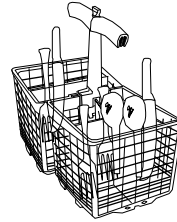
- 1) Ponga la mano derecha en el costado derecho de la canasta y la mano izquierda en el costado izquierdo de la canasta.
- 2) Simplemente, deslice la canasta suavemente para abrir el cierre y separar los compartimientos presionándola hacia adelante y halando de ella hasta que vea que ambos ganchos salen de las aberturas alargadas de la mitad de la canasta.



**Nota:** No use demasiada fuerza para separar la canastilla, pues esto puede dañar los ganchos plásticos o romperlos.

- 3) Para volver a unir las dos mitades, use ambas manos para colocar al mismo nivel las secciones de la canasta y deslice los ganchos en las aberturas alargadas de ambos lados. Ahora, presione suavemente el cierre de junta, presionándolas hacia adelante y halándolas hasta que ambas secciones de la canasta fácilmente.

- Para evitar cualquier lesión, coloque cuchillos y tenedores con hacia abajo.
- Trate de mezclar cucharas, cuchillos y tenedores para que se laven y sequen mejor y para evitar que se acumulen obstaculizando el lavado.
- No mezcle cubiertos de acero inoxidable y objetos de plata, pues puede dañar el terminado de los objetos de plata.
- No coloque objetos altos junto al brazo del rociador superior pues estos pueden interferir con el giro del brazo.
- No coloque artículos de estaño o peltre ni filtros de materiales no apropiados el lavaplatos. Estos artículos consideran seguros en el lavaplatos.



**Uso Apropiado del Detergente:**

- La cantidad de detergente que deba usar depende del tipo de agua de la zona donde reside, si el agua es dura o suave, y si los platos están ligeramente o demasiado sucios.
- La dureza del agua se mide en "granos" (grains en inglés). Usted puede averiguar el nivel de dureza del agua llamando a la Oficina local de la Agencia para la Protección del Ambiente en su condado.
- Si usted encuentra que el nivel en "granos" es más alto que el normal, el agua en su zona tendrá mayor dureza y necesitará mayor detergente que para el lavado normal.

Observe el cuadro siguiente "el tipo de dureza del agua" y el nivel de "granos".

Tipo de Dureza Agua	gpg
Dura	10+
Media	4-9
Suave	0-3

**Nota:** Si el nivel de "granos" es de más de 12, el agua es muy dura. Usted puede necesitar un ablandador de agua para mejorar su calidad y el resultado del lavado de los platos.

**Nota:** La calidad del detergente hará una gran diferencia en el lavado de sus platos. Si usted usa detergente que está húmedo, irregular o pasado, este tipo de detergente no será suficientemente efectivo para la limpieza, puesto que los ingredientes activos pierden su potencia y el detergente no actúa apropiadamente.



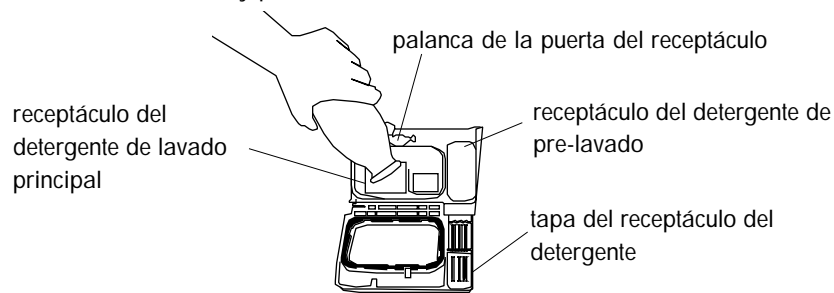
**Nota:** Use en el lavaplatos únicamente detergentes que el fabricante recomienda como "**Detergente para Lavaplatos Automático**". Otros tipos de detergentes no están diseñados para uso en lavaplatos y pueden causar espuma excesiva. No use detergentes que están resecos, en bloques, o húmedos. Estos tipos de detergente no se disuelven apropiadamente y no pueden limpiar en forma efectiva.

**Aprovisionamiento del Detergente en el lavaplatos:**

Use la cantidad recomendada de detergente de acuerdo con la carga de lavado. Mida y vierta el detergente en el receptáculo grande para el lavado principal. El detergente de pre-lavado se coloca en el receptáculo de lavado principal.

**Nota:** Para el pre-lavado se debe usar la mitad del detergente que se usa para el lavado principal.

- Recomendamos usar un **Aditivo de Enjuague** para ayudar a remover manchas y evitar que se forme una película en los platos, vasos, cubiertos, utensilios de cocina y plásticos.

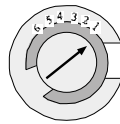
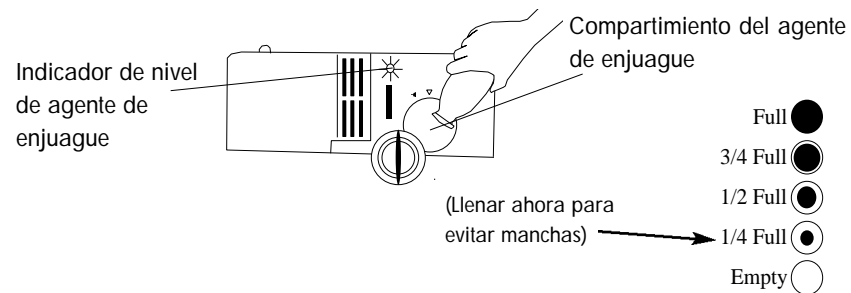


**Nota:** Use solamente un aditivo de enjuague líquido con el dispensador.

### Llenado del Dispensador con Agente Líquido de Enjuague:

Use la cantidad recomendada de agente de enjuague para las cargas de lavado. El dispensador del enjuague está localizado cerca del dispensador de detergente. Durante el ciclo de lavado, el dispensador automáticamente libera una cantidad previamente graduada de agente de enjuague durante el último ciclo de enjuague.

Cuando el dispensador está lleno, el indicador transparente de nivel del agente de enjuague se verá oscuro. Cuando está vacío, se verá claro, lo que significa que es necesario verter más líquido.



**Nota:** El dispensador lleno contiene suficiente líquido para aproximadamente un mes. Si desea ajustar la cantidad del agente de enjuague dispensado, el dispensador tiene 6 niveles graduables de suministro. Simplemente haga girar el dial hasta la graduación deseada.

### **Revisión de la Temperatura del Agua:**

- El agua de entrada debe estar entre un mínimo de 120°F, 49°C, y un máximo de 150°F y 66°C para que el lavaplatos pueda limpiar efectivamente y evitar daño a su vajilla.

**Nota:** La temperatura mínima de entrada debe ser 120°F / 49°C para que el detergente se disuelva adecuadamente.

Si no está seguro de la temperatura del agua caliente:

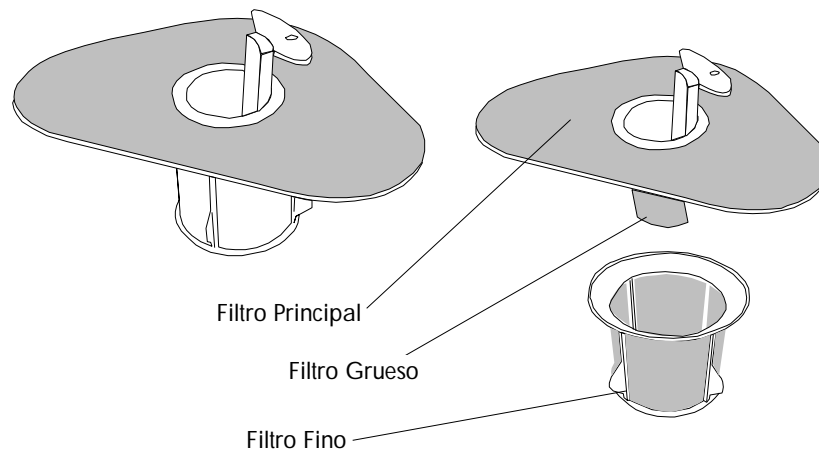
1. Simplemente, abra la llave del agua caliente y déjela correr por un minuto y luego llene un vaso.
2. Con un termómetro mida la temperatura del agua.
3. Si la temperatura de agua está por debajo de 120°F/49°C, usted deberá ajustar el regulador de agua para mantener por lo menos una temperatura de 120°F/49°C.

### **Protección contra el Desbordamiento:**

- En caso de que el agua continúe a subir a un punto considerado inaceptable, un interruptor de seguridad, activado por la presión del agua, automáticamente activa la bomba de desagüe.

## Explicación del Sistema de Filtración

Para su conveniencia, el sistema de filtración de 3 niveles está ubicado en el fondo, debajo de la rejilla inferior, en un lugar de fácil acceso dentro de la tina de lavado. Este es un sistema de filtración de tres niveles: Filtro Principal, Filtro Grueso y Filtro Fino.



**Filtro Principal:** El propósito de este filtro es atrapar las partículas de comida y desperdicios.

**Filtro Grueso:** El propósito de este filtro es atrapar partículas grandes, tales como pedazos de hueso o de vidrio que pueden tapan el drenaje (conectado al filtro principal).

**Filtro Fino:** El propósito de este filtro es atrapar y retener los residuos diminutos de comida y desperdicios, y evitar que se depositen nuevamente en los platos durante el ciclo.

**Advertencia:** Nunca opere la lavadora de platos sin los filtros en su lugar. El no hacerlo así puede atascar el desagüe y causar averías a la bomba.

## Artículos Lavables en Forma Segura

Tipo de Materiales	Segur Lavaplatos		Comentarios	Explicación
	Sí	No		
Aluminio	X		Tiene algunas restricciones. Antes de poner estos artículos en el lavaplatos, lea las instrucciones de lavado del fabricante del objeto.	Materiales tales como aluminio anodizado se pueden opacar u oscurecer en agua caliente. También puede aparecer algún manchado. Los objetos de aluminio se pueden producir manchas grises o negras.
Hierro Fundido		X	No se recomienda – Lave el Objeto a Mano Unicamente, séquelo inmediatamente después de lavarlo.	El hierro se oxidará en el agua y el curado superficie se perderá, debido a la alta temperatura del agua.
Vajilla de Porcelana	X		Tiene algunas restricciones. Antes de poner estos artículos en el lavaplatos, lea las instrucciones de lavado del fabricante. Nota: Unicamente si se especifica que es "Seguro para Lavaplatos" (Tiene algunas restricciones.)	Se puede lavar piezas de vajilla porcelana decoración. Se puede lavar objetos de vajilla de porcelana con decoración protegida con tipo especiales de glaseado o vidriado. Cualquier tipo de decorado sobre el glaseado oro o plata, se puede desteñir con el agua caliente. Ponga este tipo de objetos en el lavaplatos sin que se toquen, para evitar rayones y daños.
Cobre	X		Antes de poner estos artículos en el lavaplatos, lea las instrucciones de lavado del fabricante del objeto.	Cargue los objetos de cobre lejos de los objetos de acero inoxidable. No mezcle objemisma canasta. Se pueden manchar fácilmente. Cierta tipo de "Cristal de
Cristal		X	No se recomienda – Lave el Objeto a Mano Unicamente, séquelo inmediatamente después de lavarlo. Antes de poner estos artículos en el lavaplatos, lea las instrucciones de lavado del fabricante del objeto.	Plomo" se puede picar en agua caliente. No lave "Antigüedades" ni objetos "Muy Delicados" en el lavaplatos. Se recomienda lavar los objetos de cristal con graduación de baja temqueden bien asegurados en su lugar para evitar que se caigan o se golpeen contra otros objetos de la vajilla, durante el proceso de lavado.

### Artículos Lavables en Forma Segura (continuación)

Tipo de Materiales	Segur Lavaplatos		Comentarios	Explicación
	Sí	No		
Dirilyte (Cubiertos con Baño de Oro)		X	No se recomienda – Lave el Objeto a Mano Únicamente. Antes de poner estos artículos fabricante del objeto.	Estos objetos se pueden decolorar.
Plástico Desechable		X	No se recomienda – Lave el Objeto a Mano Únicamente. recomendaciones. Antes de poner estos artículos en el cante del objeto.	Estos objetos no están hechos para lavado en lavaplatos.
Cristalería	X		No recomendado – Lave los objetos a Mano Únicamente con agua fría. Nota: Los cuchillos afilados Antes de poner estos artículos fabricante del objeto.	Alguna cristalería se puede lavar para evitar que se manche. Vacíe los residuos tales como jugo, sopa, vasos y tazas antes de colocarlos en el lavaplatos.
Cuchillos		X	No se recomienda – Lave el Objeto a Mano Únicamente. Antes de poner estos artículos en el lavaplatos, lea las instrucciones de lavado del fabricante del objeto.	Algunas veces el mango (de madera u otro tipo de material) de los cuchillos se puede rajar, aflojar o deslucir en agua caliente.
Cristal de Plomo		X	No se recomienda – Lave el Objeto a Mano Únicamente. Antes de poner estos artículos instrucc fabricante del objeto.	Estos objetos se pueden "Picar" si se lavan en máquina.
Artículos NO de Mesa ni de Cocina		X	Hay algunas excepciones y recomendaciones. Antes de poner estos artículos en el lavaplatos, lea instrucciones de lavado del fabri	Nunca lave a objetos tales como "limpiadores o filtros de aire" electrónicos de ninguna clase de aparatos electrónicos pequeños.
Revestimientos contra Adherencia	X		Nota: Únicamente si se especifica que es "Seguro para Lavaplatos" ("DishWasher Safe")	Después de lavar, se recomienda frotar con aceite vegetal el área de la superficie no-adherente para mantener su calidad no-adherente.
Peltre		X	No recomendado – Lave los objetos a Mano Únicamente con agua fría. Antes de poner estos artículos en el lavaplatos, lea las instrucciones de lavado del fabricante del objeto.	Esto se descolorará o manchará si se lava a máquina.

## Artículos Lavables en Forma Segura (continuación)

Tipo de Materiales	Segur Lavaplatos		Comentarios	Explicación
	Sí	No		
Plástico	X		Nota: Únicamente si se especifica que es "Seguro para Lavaplatos" ("DishWasher Safe") instrucciones de lavado del fabricante del objeto.	Coloque los objetos plástico lejos de los objetos cortantes para evitar daños. Se recomienda colocar los la superior.No seque con calor. de plástico "Desechable."
Plata o Artículos Plateados	X		Nota: Enjuague estos objetos inmediatamente si los va a lavar más tarde, porque los alimentos ácidos o salados pueden mancharlos si se dejan en ellos por tiempo.	No coloque cubiertos de plata ( o plateados) y objetos de acero inoxidable en la misma canasta. Los cubiertos se pueden dañar si entran en acero inoxidable.
Acero Inoxidable	X		Nota: Enjuague estos objetos inmediatamente si los va a lavar más tarde, porque los alimentos ácidos o salados pueden mancharlos si se dejan en ellos por largo tiempo.	No cargue objetos de tipos diferentes de "Acero Inoxidable" en la misma canasta y en el mismo lavado.
Metal		X	Nota: No mezcle objetos de acero inoxidable con los cubiertos de (o plateadlavado recomendadas por el máquina.	No lave "Hojalata" en el lavaplatos.
Madera		X	No recomendado. Nota: Se oxidará. Antes de poner estos artículos en el lavaplatos, lea las instrucciones de lavado del fabricante del objeto.	La madera se puede rajarse o perder su forma en la máquina de lavar debido al agua caliente.

## Guía de Cuidado y Limpieza

### Limpieza y Cuidado General:

- No use sustancias abrasivas, limpiadores fuertes, solventes, concentrados o almohadillas de fregar de metal para limpiar el interior del lavaplatos.
- Use agua tibia con jabón y un cepillo suave o un paño para limpiar la cámara de lavado.
- Limpie alrededor del empaque de la puerta con un paño húmedo.
- Cuando limpie el panel de control, use un paño ligeramente húmedo y luego seque el panel completamente.
- Cuando limpie el gabinete exterior, use agua con poco jabón y un paño suave.
- No use objetos afilados que puedan rayar la superficie del gabinete.

### Limpieza de los Filtros del Lavaplatos:

- Le recomendamos lavar y limpiar suavemente los tres filtros con agua caliente jabonosa, y enjuagarlos a fondo periódicamente para remover desperdicios y químicos que se hayan acumulado o adherido a los filtros.
- Los filtros están colocados dentro del lavaplatos, en la parte inferior del frente, debajo de la rejilla de abajo.
- Una vez que el ciclo de lavado y secado ha terminado, debe esperar algunos minutos hasta que el lavaplatos se haya enfriado completamente, antes de sacar el filtro para limpiarlo.
- Remueva primero la rejilla inferior para poder sacar el filtro.
- Usando agua y jabón, remueva residuos y limpie los filtros y luego séquelos con un paño suave.
- Una vez que haya terminado de limpiar el filtro, vuelva a colocarlo en su lugar y posición original.



**Evite que el Agua en su Lavaplatos se Congele:**

Debe proteger el lavaplatos si lo deja en un lugar sin calefacción durante invierno.

- Debe desconectar de la máquina la corriente eléctrica.
- Debe cerrar el suministro de agua al lavaplatos y desconectar el tubo de entrada de agua de la llave del agua.
- Debe drenar el agua que quede, desde la entrada de agua hasta la cámara de lavado.
- No instale u opere el lavaplatos cuando la temperatura esté por debajo del punto de congelación.
- Si el lavaplatos le llega cuando la temperatura exterior está por debajo del punto de congelación, no lo opere hasta que la máquina no se haya calentado a la temperatura de la habitación.

**Almacenamiento del Lavaplatos en un Ambiente Frío:**

- Debe guardar el lavaplatos a la temperatura de la habitación.

## Resolución de Problemas

### El lavaplatos no funciona:

- Verifique que el protector de circuito no está abierto o que el fusible no necesita reemplazarse.
- Verifique que la unidad no está en la modalidad "OFF" (apagado).
- Verifique que la puerta no abierta. Cerciórese puerta ha cerrado correctamente.
- Asegúrese de haber presionado el botón "POWER" (ENERGIA) después de la selección que desea.

### Los platos, los vasos y los cubiertos no han quedado limpios y se ven nublados:

- Ha usado detergente pasado o en malas condiciones.  
Necesita verificar que el detergente esté fresco.
- El agua puede ser demasiado dura en su zona.  
Puede necesitar que se instale un ablandador de agua.
- Los brazos del rociado pueden haber quedado bloqueados.  
Puede necesitar disponer en otra forma los platos y utensilios.
- La presión del agua puede ser muy baja.  
Puede necesitar ajustar la presión de agua.  
Asegúrese que está entre 20 y 120 libras por pulgada cuadrada.
- La temperatura de agua puede estar más baja que la recomendada.  
(120°F/49°C) Puede necesitar ajustar el regulador del agua.
- Lavaplatos recargado de platos.  
Puede necesitar volverlos a ordenar o sacar algunos platos.
- (Puede haber escogido un ciclo errado). Ciclo incorrecto.  
Puede necesitar escoger el ciclo apropiado.

### Los platos no quedan secos:

- Baja temperatura del agua.  
Puede necesitar regular la temperatura del agua a 120°F o 49°C.
- Asegúrese de que el dispensador del aditivo de use la cantidad adecuada.
- Evite encajar los objetos y no sobrecargue la máquina.
- Coloque los objetos en posición inclinada, si es posible, agua corra fácilmente.
- La vajilla lavada a más altas temperaturas se secará más rápido.
- Algunos materiales plásticos pueden necesitar ser secados con toalla.

### **Platos averiados:**

- Esto se debe a la mala colocación de los platos o a un exceso de carga en la máquina. Debe tener cuidado cuando carga la máquina. No la recargue. Debe colocar los vasos en forma segura contra los apoyos de la parrilla. Coloque los artículos delicados en la parte interior de la parrilla. Le recomendamos que lave a mano artículos de cristal o de porcelana fina.
- No apiñe los objetos de cristal o vidrio cuando cargue la máquina.
- Coloque los objetos delicados en la rejilla superior.
- No cargue objetos grandes de vajilla cerca del brazo rociador intermedio.
- Mueva lentamente las rejillas hacia dentro o hacia fuera para evitar que los objetos de vajilla se golpeen unos con otros.
- Asegúrese de que todos los objetos de vajilla y vidrio estén bien asegurados en sus lugar cuando cargue la máquina para evitar que caigan o golpeen entre sí.

### **Ruido:**

Algunos de los ruidos que oye son normales.

- Oirá el ruido del agua cuando llena la cámara de lavado y cuando enjuaga los platos.
- Oirá cuando el motor de la bomba de desagüe se pone en marcha para drenar el agua.
- Oirá cuando el motor se detenga cuando el ciclo termina.
- Si algunos utensilios no han quedado colocados en forma segura, los oirá moverse sueltos dentro de la cámara.

### **Exceso de espuma:**

Esto ocurre cuando se usa en el lavaplatos detergente corriente para el lavado de las manos.

Debe verificar que el detergente esté marcado para "Uso en Lavaplatos Automáticos". Si no está marcado así, debe cambiar a un detergente apropiado para lavaplatos.

### **Los platos quedan con olor:**

- Esto se debe a un ciclo incompleto.  
Debe permitir que el ciclo termine completamente.
- Ha usado un detergente con un nuevo aroma.  
Esto es normal porque diversos detergentes tienen diversos aromas.

### **Grabado en los platos:**

- Ha usado demasiado detergente.  
Use la cantidad apropiada de detergente. Reduzca la cantidad de detergente que usa en cada carga.
- La temperatura del agua es demasiado alta.  
Necesita bajar la temperatura del agua.
- Uso de detergente pasado.  
Evite usar detergentes pasados. Lea la fecha de expiración. Use únicamente detergente fresco.
- No hay necesidad de enjuagar los platos.  
Simplemente remueva los residuos grandes de comida.

### **Manchas en el interior de la cámara:**

- Algunos detergentes contienen colorantes, conocidos como "pigmentos" o "tinturas" que pueden manchar la cámara con el uso prolongado. Debe cambiar a un detergente sin colorantes. Lea el empaque cuidadosamente antes de usar el detergente.
- Algunos alimentos de "base ácida" o de "base de pasta" pueden manchar la cámara. El uso del ciclo de enjuague puede reducir este problema.

### **Manchas y película en platos y vasos:**

Esto se debe a:

- Insuficiencia de detergente.
- Baja presión y temperatura del agua de entrada.
- Disposición incorrecta de la carga de lavado.
- Uso de detergente pasado o en polvo, húmedo.
- Zona de agua dura.

## Agua

### Problemas de Drenaje:

- Examine el nivel de la manguera de desagüe. La manguera de desagüe debe colocarse encima del desaguadero para que funcione correctamente. Verifique que está en una curva de drenaje (de 50 cm) por encima del piso o del subpiso.
- Si la manguera de desagüe está doblada o encogida esto puede afectar su capacidad de desagüe.
- Si el agua no se puede hacer fluir regularmente, la operación del lavaplatos puede obstaculizarse y la máquina detenerse en la mitad del ciclo..
- Asegúrese de que el ciclo de lavado esté completamente terminado antes de abrir la puerta del lavaplatos. Si el ciclo de lavado ha terminado completamente, espere a que el ciclo termine, y revise nuevamente.
- Asegúrese de que la cámara de aire no se ha bloqueado.
- Si la unidad está conectada a un triturador de desperdicios, asegúrese de que éste no esté lleno. Si lo está, desocúpelo.
- Revise si existe cualquier otro tipo de bloqueo cerca del desagüe o del área del filtro del lavaplatos.
- Si el agua se devuelve hacia el fregadero, es necesario revisar el triturador de desperdicios y el sifón para ver si están bloqueados.
- Es normal encontrar algo de agua en el área del fregadero, cerca del desagüe.

### Pasos para desagüar el agua de la tina:

- 1) Apague la unidad y espere unos pocos segundos.
- 2) Gire la perilla al botón del ciclo de lavado "RINSE & HOLD" (ENJUAGUE PARA LAVADO POSTERIOR).
- 3) Encienda de nuevo la unidad y escuchará el ruido del agua desaguando
- 4) Deje que el agua desagüe por aproximadamente 30 segundos y apague la unidad.
- 5) Si todavía queda agua en la tina, repita los pasos del 1 al 3 hasta que salga toda el agua.
- 6) Si todavía nota que hay demasiada agua en la tina, después de terminar estos pasos, llame al Centro Haier de Atención al Cliente para obtener su asistencia. Teléfono 1-877-337-3639.

### **El lavaplatos tiene un escape de agua:**

- El lavaplatos no está correctamente instalado.  
El lavaplatos debe estar colocado en una superficie plana. Evite las superficies disparejas.
- Asegúrese de que el lavaplatos esté adecuadamente nivelada. (Vea las instrucciones de instalación)
- No llene en exceso el dispensador de detergente o del aditivo de enjuague porque esto puede producir demasiada espuma y sobrellenado de la tina.
- No use en el dispensador detergente para manos o el corriente para lavar platos a mano. Estos tipos de detergentes no se recomiendan para uso en el lavaplatos.

### **El lavaplatos no se llena:**

- Revise el suministro de agua.  
Verifique que el suministro de agua está en la posición "ON" (Abierto).
- Verifique la presión del agua.  
Asegúrese de que la presión del agua está a un nivel adecuado. (Entre 20 y 120 libras por pulgada cuadrada).

### **Encuentra agua bajo el filtro:**

- Es normal encontrar una pequeña cantidad de agua debajo del filtro después del fin del ciclo.

### **Hay detergente en el receptáculo:**

- No cargue los objetos demasiado cerca del receptáculo de detergente. Esto puede bloquear el suministro automático del detergente.
- No use detergente viejo o compactado o seco en el receptáculo, porque no se disolverá adecuadamente y dejará residuos arenosos en la vajilla.

### **El lavaplatos funciona demasiado tiempo:**

- La temperatura del agua que entra está por debajo de 120°F. Elevando la graduación de temperatura del calentador de agua se ayudará a disminuir el tiempo de operación.
- Si esto no resuelve el problema, llame al Centro Haier de Atención al Cliente.

# Garantía Limitada

## Servicio en la Casa

### 1 Año de Garantía

Por 12 meses contados a partir de la fecha de la compra original al detal, Haier reparará o reemplazará sin costo cualquier parte que falle debido a un defecto de materiales o de mano de obra.

### 2 Años de Garantía Limitada Sistema de Distribución de Agua (Partes Únicamente)

Por 24 meses contados a partir de la fecha de la compra original al detal, Haier cualquier parte del sistema de distribución de agua que falle debido a defectos fabricación. Esto incluye la bomba, el motor, el brazo inferior de lavado, el brazo intermedio de lavado y el rociador superior de la torre de lavado y el suministro de tubería y filtros relacionados con el sistema.

**NOTA:** Las partes relacionadas con la entrada de agua y la plomería de drenaje no están cubiertas por esta garantía.

### Rejillas Revestidas con Vinilo (Partes Únicamente)

Por 24 meses contados a partir de la fecha de la compra original al detal, Haier reemplazará la rejilla superior o la inferior, revestidas con vinilo, que se pelen u oxiden debido a un defecto de fabricación.

### Controles Giratorio Electromecánico (Partes Únicamente)

Por 24 meses contados a partir de la fecha de compra original al detal, Haier el control giratorio electromecánico que falle debido a defectos de fabricación.

### De por vida (Partes Únicamente)

**Tina de Acero Inoxidable y Revestimiento de la Puerta. Suministro de la tina o del revestimiento de la puerta, si el revestimiento de la puerta o la tina no retienen el agua debido a un defecto de fabricación.**

**NOTA:** Esta garantía comienza en la fecha de compra del artículo y el recibo de compra original deberá presentarse al representante de servicio autorizado antes de que se realicen las reparaciones bajo garantía.

### Excepciones: Garantía para Usos Comerciales o de Alquiler.

90 días a partir de la fecha de original, en cuanto a costos de mano de obra.

90 días a partir de la fecha de original, en cuanto a repuestos.

Ninguna otra garantía es aplicable.

### Para Obtener Servicios de Garantía

Comuníquese con el centro autorizado de servicio de Haier más cercano. Todo servicio debe realizarse por un centro autorizado de servicio. Por favor, llame al 1-877-337-3639 para averiguar el nombre y número de teléfono del centro de servicio más cercano.

### Antes de llamar sírvase tener a mano la siguiente información:

Número de modelo y número de serie de su

aparato (se encuentra en el respaldo de la unidad, en la parte superior izquierda). El nombre y dirección del distribuidor donde compró la unidad y la fecha de compra.

Una descripción clara del problema.

Una constan de compra (recibo de compra).

**Esta garantía protege las unidades dentro de los Estados Unidos continentales, Puerto Rico y Canadá. Lo siguiente no está cubierto por esta garantía:**

Reemplazo o reparación de los fusibles de la residencia, protectores de circuito, cableado, o plomería.

Un producto cuyo número de serie original se ha removido o alterado.

Cualquier cargo por servicio fuera de lo no específicamente identificado como normal, tal como horas de servicio normal o área de servicio normal.

Daños a la vajilla, a vasos y cubiertos.

Daños causados durante el transporte.

Daños causados por instalación o

mantenimiento defectuosos.

Daños causados por mal uso, abuso, accidente, incendio, inundación, o actos de la naturaleza.

Daños causados por servicio de la unidad por centros de servicio o distribuidores no autorizados por Haier.

Daños causados por corriente eléctrica de suministro o voltaje inapropiados.

Daños que resulten de cualquier modificación, alteración o ajuste de la unidad, no autorizados.

Ajuste de los controles de operación, del usuario, según se identifican en los manuales de operación.

Mangueras, botones, compartimientos para detergente, dispensador con agente líquido de enjuague y otros accesorios o aditamentos, y partes desechables.

Mano de obra, transporte y cargos de envío para el reemplazo o cambio de partes defectuosas, después de vencido el período inicial de 12 meses.

Daños producidos por usos que no sean los normales en una residencia.

Cualquier cargo por transporte y envío.

**ESTA GARANTÍA LIMITADA SE OFRECE EN LUGAR DE TODA OTRA GARANTÍA, EXPRESA O QUE INCLUYE LAS GARANTÍAS DE COMERCIALIZACIÓN Y APTITUD PARA UN PROPOSITO EN PARTICULAR.**

El alivio ofrecido en esta garantía exclusivo y se ofrece en lugar de cualquier otro.

Esta garantía no cubre daños incidentales o consecuenciales, de manera que limitaciones arriba descritas pueden no serle aplicables.

Algunos estados no permiten limitaciones en cuanto al período de duración implícito en una garantía, por lo tanto las limitaciones descritas arriba pueden no serle aplicables.

Esta garantía le da derechos específicos y, además, usted puede tener otros derechos que varían de estado a estado.

Haier America  
New York, NY 10018