

Haier

SERVICE MANUAL

Order No. TL0811S001V0

Gas Dryer

Model No. RDG350AW



WARNING

This service information is designed for experienced repair technicians only and is not designed for use by the general public. It does not contain warnings or cautions to advise non-technical individuals of potential dangers in attempting to service a product. Products powered by electricity should be serviced or repaired only by experienced professional technicians. Any attempt to service or repair the product or products dealt with in this service information by anyone else could result in serious injury or death.

©2008 Haier Washing Machine
All rights reserved. Unauthorized copying and distribution is a violation of law.

Haier Group

Issue	
Rev.	

Chapter 1: General Information

1-1. Table of Contents

Document control	1
Chapter 1. General Information	2
1-1. Table of Contents	2
1-2. General Guidelines	3
1-3. Caution and Warning symbols	3
1-4. Function indication symbols	3
Chapter 2. Product Feature	4
2-1. Features	4
2-2. Specification	5
Chapter 3. Matters needing attention	6
3-1. Safety	6
3-2. During Use	8
Chapter 4. Operational Guidance	10
4-1. Understanding the Control Panel	10
4-2. Auto Dry cycles	10
4-3. Timed Dry cycle	10
Chapter 5. Drying Methods	11
5-1 Preparations before drying	11
5-2 Load clothes into dryer	11
5-3 Selecting Drying program	11
Chapter 6. Appearance brief introduction	12
6-1. Name of parts	12
6-2. Net dimension	12
Chapter 7. Disassembly and Installation	13
7-1. Remove packing materials	13
7-2. Adjusting the Dryer	13
7-3. Location of your dryer	13
7-4. Installation in Alcove or Closet	13
7-5. Manufactation (mobile) home installation	14
7-6. Electrical Installation	14
7-7. Manufactured (Mobile) Home Hold Down Kit	15
7-8. Natural Gas to LP Gas Conversion Kit	16
7-9. Gas connections	19
7-10. Connecting to the Gas Supply	20
Chapter 8. Wiring circuit and Self check	21
8-1. Wiring circuit	21
8-2. Self check	21
Chapter 9. Error Display and troubleshooting	22
9-1. Error Display	22
9-2. Examination & Troubleshooting	23
9-2-1. Display nothing	23
9-2-2. The computer is power on, but the dryer no action	23
9-2-3. The drum rotates but the dryer have no drying	24
9-2-4. The dryer drying but clothes can't intensive drying	24
9-2-5. Too much noise in drying	25



Issue	
Rev.	

1-2. General Guidelines

When servicing, observe the original lead dress. If a short circuit is found, replace all parts which are overheated or damaged by the short circuit. After servicing, see to it that all the protective devices such as insulation barriers, insulation papers, shields are properly installed. Confirm that the screws, parts and wiring which were removed in order to service are put in the original positions, or whether there are the portions which are deteriorated around the service places serviced or not. And be sure safety of that.



1-3. Caution and Warning symbols

Most important thing is to list up the potential hazard or risk for the service personnel to open the units and disassemble the units. For example, we need to describe properly how to avoid the possibility to get electrical shock from the live power supply or charged electrical parts (even the power is off).



This symbol indicates that there are important operating and maintenance instructions in the literature accompanying the appliance.

1-4. Function indication symbols

(You will see them in the specification table)



This symbol indicates that there are important operating and maintenance instructions



Signify the dryer doesn't have this function.

Chapter 2 Product Feature

2-1. Features

(1). Lint Filter:

All dryers come with a lint filter that needs to be cleaned before or after every use (read “Care and Cleaning Guide” Section).

(2).Leveling Legs:

Your dryer has four leveling legs which are located in the front and rear corners of your dryer. After installing your dryer in its final position, you can level your dryer.

Leveling legs can be adjusted by turning them clockwise to raise your dryer or by turning them counterclockwise to lower your dryer.

(3).End of Cycle Signal:

- At the end of the dry cycle an audible signal will beep to alert you that the dryer has completed drying the load.

(4).Wrinkle Saver:

- At the end of the dry cycle the dryer will automatically go into the wrinkle saver mode. Here the dryer tub will tumble periodically for 1 hour after the dry cycle is completed. To stop simply open the door and remove the clothes.

2-2. Specification

2

GAS DRYER	RDG350AW
Brand	Haier
Color Availability	White
Electrical Requirements	120V/60Hz
Amps	8A
Capacities:Drum Size (Cubic Foot)	6.5
Drum Type	Painted
Motor Size (hp)	1/4
Power Cord Included(Attached)	●
Fuel Type	Gas
Controls	Rotary Control
Indicator Lights	Indicator Lights + Process Status
Temperature Settings	3
No Heat (Air Fluff)	●
Dry Sensor	Thermostat
Reversible Door	—
End of Cycle Signal	●
Easy Access Lint Filter	●
Interior Drum Light	—
Dryer Rack	—
Auto Dry Cycles	3 (Heavy / Normal / Delicates)
Time Dry	● (30;60;90;120)
Wrinkle Saver	●(Works upto 1 hr after every cycle)
Exhaust Vents	Rear Only
Leveling Legs	●(4)
LP Conversion Kit	●
Serviceable Front	●
Heating Element (watts)	20,000BTU
Unit Dimensions (In.)	
Width	27"(686mm)
Depth With Door Close	28.3"(718mm)
Depth With Door Open	50.6"(1285mm)
Height	36"(915mm)
Height With Back Guard	42 1/2"(1080mm)
Unit Weight lbs.(approx)	134.5
Carton Dimensions (In.)	
Height	46.46" (1180 mm)
Width	29.76" (756 mm)
Depth	30.16" (766 mm)
Shipping Weight lbs.(approx)	
Container Quantity	90(40'H)

Chapter 3 Matters needing attention

3-1. Safety

Before beginning installation, carefully read these instructions. This will simplify the installation and ensure the dryer is installed correctly and safely.

NOTE: The electrical service to the dryer must conform with local codes and ordinances and the latest edition of the National Electrical Code, ANSI/NFPA 70 or in Canada, CSA C22.1 Canadian Electrical Code Part 1.

NOTE: The gas service to the dryer must conform with local codes and ordinances and the latest edition of the National Fuel Gas Code, ANSI Z223.1 or in Canada, CAN/CGA B149.1.

NOTE: The dryer is designed under ANSI Z21.5.1 or ANSI/UL 2158 - CAN/CSA C22.2 No. 112-97 (latest editions) for HOME USE ONLY. This dryer is not recommended for commercial application such as restaurants, beauty salons, etc.

WARNING - To reduce the risk of fire, electric shock, or injury to persons when using your appliance, follow the basic precautions, including the following:

1. Read all of the instructions before using this appliance.
2. Don't dry articles that have been previously cleaned in, washed in, soaked in, or spotted with gasoline, dry clean solvents or other flammable explosive substances as they give off vapors which could ignite or explode.
3. Do not allow children to play on or in the appliance. Close supervision of children is necessary when the appliance is used near children.
4. Before the appliance is removed from service or discarded, remove the door to the drying compartment.
5. Do not reach into the appliance if the drum is moving.
6. Do not install or store this appliance where it will be exposed to water and/or to the weather.
7. Do not tamper with controls.
8. Do not repair or replace any part of the appliance or attempt any servicing unless specifically recommended in the user-repair instructions that you understand and have skills to carry out.
9. Do not use fabric softeners or products to eliminate static unless recommended by the manufacturers of the fabric softener or product.
10. Do not use heat to dry articles or products to eliminate static unless recommended by the manufacturers of the fabric softener or product.
11. Clean lint screen before or after each load.
12. Keep area around the exhaust opening and adjacent surrounding areas free from the accumulation of lint, dust and dirt.
13. Keep the dryer area clear and free from items that would obstruct the flow of combustion and ventilation air through the louvered panel located on the rear of the dryer.
14. The interior of the appliance and the exhaust duct should be cleaned periodically by qualified service personnel.



Chapter 3 Matters needing attention

3

15. Do not place items exposed to cooking oils in your dryer. Items contaminated with cooking oil may contribute to a chemical reaction than could cause a load to catch fire.
16. If material has been used with any flammable liquids or solids, it should not used in the dryer until all terraces of flammable liquids and its fumes have been removed.
17. This dryer must be properly installed in accordance with the installation instructions before it is used. See grounding instructions in the installations sections.
18. Proper grounding must be ensured to reduce the risk of electric shock and force. Check with a qualified electrician or service personnel if you are in doubt as to whether the dryer is properly grounded.
19. Use the dryer only for its intended purpose: drying clothes.
20. Always disconnect dryer from electrical supply before attempting any service. Disconnect power cord by grasping the plug, not the cord.
21. Replace worn power cord and/or loose plugs.
22. To reduce the risk of electric shock or fire, do not use extension cords or adapters to connect dryer electrical power source.

WARNING

Risk of Fire:

1. Clothes dryer installation must be performed by a qualified installer.
2. Install the clothes dryer according to the manufacturer's instructions and local codes.
3. Do not install a clothes dryer with flexible plastic venting materials.
If flexible metal (foil type) duct is installed, it must be of a specific type identified by the appliance manufacturer as suitable for use with clothes dryers. Flexible venting materials are known to collapse, be easily crushed, and trap lint. These conditions will obstruct clothes dryer airflow and increase the risk of fire.
4. To reduce the risk of severe injury or death, follow all installation instructions.



Safety Warning:

1. Before starting installation, make sure that the gas shut off valve is in the off position.
2. All old gas connectors and gas piping should be discarded.

ELECTRICAL REQUIREMENTS

Circuit

Individual 15 Amp branch circuit fused with 15-Amp maximum time delay fuse or circuit breakers.

Power Supply

3 wire, 120 Volt, 1 Phase, 60Hz, AC

Power Supply Cord

The dryer is equipped with a 120 Volt 3-wire power supply cord.

Note: This dryer is equipped with a three-prong grounding plug for your protection against shock hazard and should be plugged into a properly grounded three-prong receptacle. Do not under any circumstance cut or remove grounding prong from plug.

Chapter 3 Matters needing attention

3-2. During Use

EXHAUST SYSTEM REQUIREMENTS

The following are specific requirements for proper and safe operation of your dryer. Failure to follow these instructions can create excessive drying times and fire hazards.

1. Do not use plastic flexible duct to exhaust the dryer. Excessive lint can build up inside exhaust system and create a fire hazard and restrict air flow. Restricted air flow will increase drying time. If your present system is made up of plastic duct or metal foil duct, replace it with a rigid or flexible metal duct. Ensure present duct is free of any lint prior to installing dryer duct.
2. The dryer must not be exhausted into any gas vent, chimney, wall, ceiling or any concealed space of a building. The dryer exhaust system **MUST** be exhausted to the outdoors. If the dryer is not exhausted outdoors, some fine lint will be expelled into the laundry area. An accumulation of lint in any area of the home can create a health and fire hazard.
3. Exceeding the length of duct pipe or number of elbows allowed in the "Maximum Length" chart can cause an accumulation of lint in the exhaust system. Plugging the system could create a fire hazard, as well as increase drying times.
4. Do not screen the exhaust ends of the vent system. Lint can become caught in the screen, increasing drying time. Use an approved vent hood to terminate the duct outdoors, and seal all joints with duct tape.
5. All male duct pipe fittings must be installed downstream with the flow of air.
6. Exhaust duct must not be connected or secured with screws or other fastening devices which extend into the interior of the duct.
7. Do not allow combustible material (clothing, draperies/curtains, paper, etc.) to come in contact with exhaust system.



Explosion hazard

Do not install the dryer where gasoline or other flammables are kept or stored. If the dryer is installed in a garage, it must be a minimum of 18 inches (45.7cm) above the floor. Failure to do so can result in death, explosion, fire or burns.

Exhaust Requirements:

Use only 4 inch (10.2cm) diameter (minimum) rigid or flexible metal duct and approved vent hood which has a swing-out damper hat open when the dryer is in operation. When the dryer stops, the dampers automatically close to prevent drafts and the entrance of insects and rodents. To avoid restricting the outlet, maintain a minimum of 12 inches (30.5cm) clearance between the vent hood and the ground or any other obstruction. The vent flap should be able to move freely, although vertical orientation of the exhaust system is acceptable. Certain extenuating circumstances could affect the performance of the dryer:

1. Only rigid or flexible metal duct work should be used.
2. Venting vertically through a roof may expose the exhaust system to down drafts causing an increase in vent restriction
3. Running the exhaust system through an uninsulated area may cause condensation and faster accumulation of lint.
4. Compression or crimping of the exhaust system will cause an increase in vent restriction.
5. In Canada, that only those foil-type flexible ducts, if any, specifically identified for use with the appliance by the manufacturer shall be used. In the United States, that only those foil-type flexible ducts, if any, specifically identified for use with the appliance by the manufacturer and that comply with the UL Outline for Clothes Dryer Transition Duct, Subject 2158A (2006), shall be used.

Chapter 3 Matters needing attention



6. In Canada, that the exhaust duct shall be 102 mm in diameter. In the United States, the required exhaust duct diameter;
7. The total length of flexible metal duct shall not exceed 2.4 m.

The exhaust system should be inspected and cleaned a minimum of every 12 months with normal usage. The more the dryer is used the more often you should check the exhaust system and vent hood for proper operation.

RECOMMENDED MAXIMUM		
Exhaust Hood Types		
	Recommended	Use only for short run installations
No. of 90° elbows	Rigid Metal	Rigid Metal
0	90 ft.	60 ft.
1	60 ft.	45 ft.
2	45 ft.	35 ft.
3	35 ft.	25 ft.

Note: Exhausting refers to removal of moist air from the drying compartment.

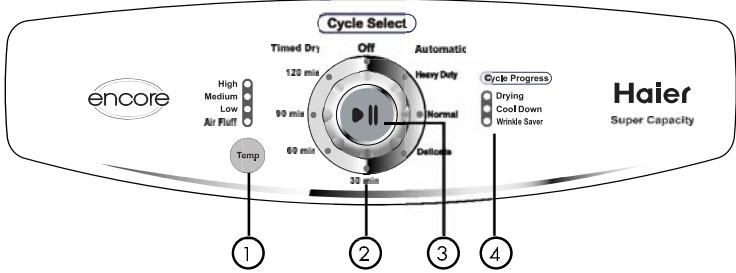
Gas supply requirements

▲ WARNING Replace copper connecting pipe that is not plastic-coated. Stainless steel or plastic-coated brass **MUST** be used.

1. Installation **MUST** conform with local codes. In the absence of local codes, installation must conform with the National Fuel Gas Code, ANSI Z223.1 (latest edition) or in Canada, the current CAN/CGA B149.1
2. The gas supply line should be 1/2 inch (1.27cm) pipe.
3. If codes allow, flexible metal tubing may be used to connect your dryer to the gas supply line. The tubing **MUST** be constructed of stainless steel or plastic-coated brass.
4. The gas supply line **MUST** have an individual manual shutoff valve installed within 6 feet (183cm) of the dryer in accordance with the National Fuel Gas Code, ANSI Z223.1/NFPA 54. In Canada, an individual manual shut-off valve **MUST** be installed in accordance with the B149.1, Natural Gas and Propane Installation Code.
5. A 1/8 inch (0.32cm) N.P.T. plugged tapping, accessible for test gauge connection, **MUST** be installed immediately upstream of the gas supply connection to the dryer.
6. The dryer **MUST** be disconnected from the gas supply piping system during any pressure testing of the gas supply piping system at test pressures in excess of 1/2 psig (3.45kPa).
7. The dryer **MUST** be isolated from the gas supply piping system during any pressure testing of the gas supply piping system at test pressures equal to or less than 1/2 psig (3.45 kPa).

Chapter 4 Operational Guidance

4-1. Understanding the Control Panel



- (1) Temp Button: Used to set drying temperatures. There are four available drying temperatures to choose from: High, Medium, Low, and Air Fluff.
- (2) Cycle Select Dial: Select the from 3 Auto-Dry cycles (Heavy Duty, Normal, and Delicates), or 4 Time Dry Cycles (30,60,90 or 120 minutes)

Heavy Duty	Heavyweight material such as jeans or bath towels.
Normal	Normal drying
Delicate	Drying small quantity clothes and delicate fabric.

- (3) Start/Pause Button: Push to start after selecting the dry cycle and setting the temperature. Push once to pause. Push again to start after pushing.
- (4) Cycle Progress: This indicates the process the cycle is currently in. At the end of the dry cycle the dryer will automatically go in the wrinkle saves mode. Here the dryer tub will tumble periodically for 1 hour after the dry cycle is completed. To stop simply open the door and remove the clothes.

4-2. Auto Dry cycle

1. Turn the knob to any program except "OFF" to power on. The control panel will beep once and the dryer will change from "OFF" to the operating status.
2. Set the cycle select dial to required auto dry cycle. The temperature level is preprogrammed. To change this setting:
 - Press the "Temp" button to set a suitable drying temperature.
 - After powering on and selecting the cycle, the dryer selects the pre programmed temperature. If a different drying temperature is required, press the "Temp" button to select. There are three available drying temperatures: High, medium, Low.
 - Press Start/Pause button.
 - When starting the machine, close the door first, then press this button.
 - If a pause is needed during drying, press this button. Pressing again will resume operation.

4-3. Timed Dry cycle

1. Turn the knob to any program except "OFF" to power on. The control panel will beep once and the dryer will change from "OFF" to the operating status. If Start/Pause button is not pressed five minutes after powering on, the dryer will automatically return to OFF status.
2. Set the cycle select dial to Timed Dry Cycle.
3. There are 4 preprogrammed times to choose from 30,60,90 and 120 minutes.
4. When starting the machine close the door first, then press the start/pause button. If a pause is needed during drying, press this button. Pressing again will resume operation.



Chapter 5 Drying Methods

5-1. Preparations before drying

- Sort clothes of the same kind (cotton, synthetics, woolen) to dry.
- Dark and light colored clothes should be separately dried. Fabrics prone to losing lint and those prone to adhering lint shall be separately dried. Clothes prone to falling lint should be turned inside out before putting into the dryer.
- Make sure buttons and ornaments on the clothes are high temperature resistant and won't damage drum surface. Before loading, the clothes should have their zippers zipped up, buttons and hooks done up and belts tied so as to avoid entanglement or other obstacles.
- If possible, turn out the clothes pockets for uniform drying.
- Check if clothes remain soiled. If so, wash them again, otherwise soils may be permanently set.
- Small articles should be collected in a mesh bag before loading and drying, so as to avoid entanglement and ensure easy removal.
- Make sure the power socket is reliably grounded. The grounding terminal should not be connected to gas or tap water pipelines.
- Make sure exhaust duct has been properly connected.
- Make sure lint filter is clean and properly installed. If lint filter is not in place, tumbling items could enter the exhaust system and cause damage to the dryer.
Note: Applies to Auto Dry cycle and Timed Dry cycle.

5-2. Load clothes into dryer

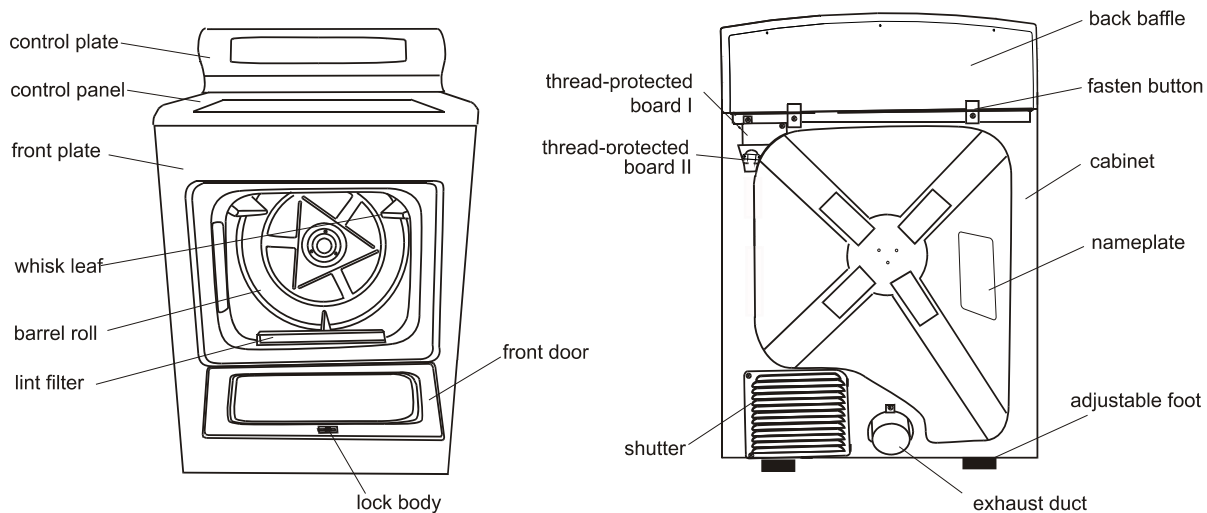
- The appropriate load should be $1/3 \sim 1/2$ of the drum volume. Avoid too much load, as space is needed to allow clothes free rotation for uniform and wrinkle-proof drying.
- When drying big articles, only 2-3 pieces should be loaded at a time and supplemented with small and medium-sized articles.
- For delicate clothes or less load, two towels may be added to get better drying and wrinkle-proof effects.
- Do not excessively dry clothes to avoid wrinkles, shrinkage, roughness, electro-static charge accumulation, and/or more lint.

5-3. Selecting Drying program

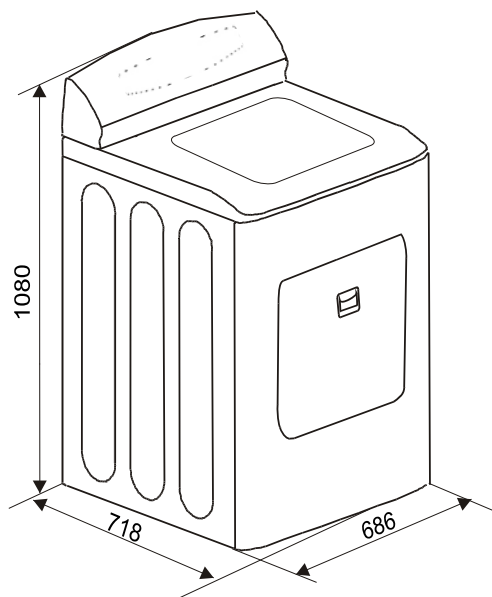
To get the best drying effect, an appropriate drying program should be selected according to the laundry type.

Chapter 6 Appearance brief introduction

6-1. Name of parts



6-2. Net dimension



Unit: mm

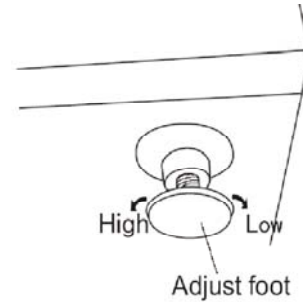
Chapter 7 Disassembly and Installation

7-1. Remove packing materials

1. Remove all packaging material. This includes the foam base and all adhesive tape holding the dryer accessories inside and outside.
2. Inspect and remove any remains of packaging, tape or printed materials before using the dryer.

7-2. Adjusting the Dryer

There are adjustable feet under the bottom of the dryer. Before use, the dryer should be adjusted, as shown in the right figure, so that it is level.



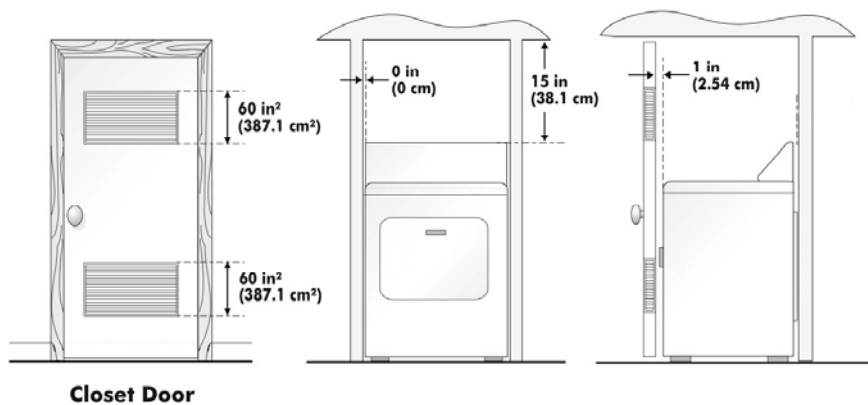
7-3. Location of your dryer

Do Not Install Your Dryer:

1. In an area exposed to dripping water or outside weather conditions.
2. In an area where it will come in contact with curtains, thick carpet, or anything that will obstruct the flow of combustion and ventilation air.
3. On carpet, floor must be solid with a maximum slope of 1 inch (2.54 cm). Any floor unevenness should be corrected with leveling legs located on the bottom of the dryer.

7-4. Installation in Alcove or Closet:

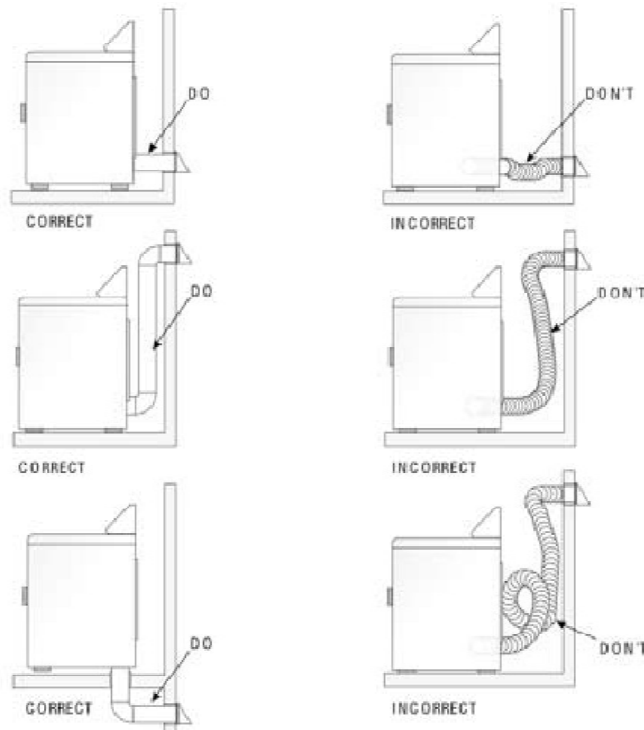
1. DO NOT install your dryer in a closet with a solid door.
2. A dryer installed in a bedroom, bathroom, alcove or closet MUST be exhausted outdoors.
3. No other fuel burning appliance shall be installed in the same closet as the gas dryer.
4. Refer to the images on this page to ensure the installation provides the minimum amount of clearance required for ventilation.
5. When installing the dryer in a closet with a door, a minimum of 120 square inches (774.2 square cm) of ventilation in the door is required. Openings must be equally divided at the top and bottom of the door and airflow must be unobstructed. A louvered door with equivalent air openings for the length of the door is acceptable.



Closet Door

7-5. Manufacation (mobile) home installation

1. Dryer MUST be exhausted outside (outdoors, not beneath the manufactured home) using metal ducting that will not support combustion. Metal ducting must be 4 inch (10.16 cm) in diameter with no obstructions. Rigid metal duct is preferred.
2. If dryer is exhausted through the floor and area beneath the manufactured home is enclosed, the exhaust system MUST terminate outside the enclosure with the termination securely fastened to the mobile home structure.
3. When installing a gas dryer into a manufactured home, a provision must be made for outside make up air. This provision is to be not less than twice the area of the dryer exhaust outlet.
4. This dryer MUST be fastened to the floor using P/N 0030807899 Manufactured Home Installation Kit. Follow the instructions supplied with the kit.
5. Refer to previous sections for other important venting requirements.
6. Installation must conform to current Manufactured Home Construction & Safety Standard (which is a Federal Regulation Title 24 CFR-Part 32-80) or when such standard is not applicable, with American National Standard for Mobile Homes. In Canada, the CSA Z240 is applicable.



7-6. ELECTRICAL INSTALLATION

Gas dryers are equipped with a factory installed three-prong 15 Amps ~120 Volts (grounding) plug for your protection against shock hazard and should be plugged directly into a properly grounded three-prong receptacle. Do not cut or remove the grounding prong from this plug.

Chapter 7 Disassembly and Installation

7-7. Installation Instructions

Manufactured (Mobile) Home Hold Down Kit No.0030807988

7

! IMPORTANT

Installation must conform to current Manufactured Home Construction & Safety Standard (which is a Federal Regulation Title 24 CFR-Part 32-80) or when such standard is not applicable, with American National Standard for Mobile Homes. In Canada, the CSA Z240 is applicable.

Dryer **MUST** be exhausted to the outdoors. Refer to the User Manual for dryer exhaust requirements. Dryer **MUST** be permanently secured to the floor at the time of installation.

Parts List

- 4 0030101225 Hold Down Bracket
- 8 0030101240 #10 X 1/2" Wood Screw
- 1 0030502715A Installation Instructions

Installation Instructions

1. Place dryer in location where it is to be installed. Refer to the User Manual for information about locating your dryer.
NOTE: Allow adequate space between the back of dryer and the wall to ensure proper exhaust connection.
2. Level the dryer by adjusting the leveling feet. Check with a carpenter's level.
3. Assemble the exhaust duct to the dryer.
NOTE: The exhaust duct **MUST NOT** terminate under the manufactured home. The exhaust duct **MUST** be secured to the structure. Refer to the User Manual for complete exhaust requirements.
4. Measure the distance from the back of the dryer to the wall as shown in Figure 1. Measure and mark the centerline of the dryer as well. Note that the exhaust duct connection to the dryer is located on the dryer centerline.
5. Disconnect the exhaust duct and move the dryer away from the wall, allowing adequate room to work behind the dryer.

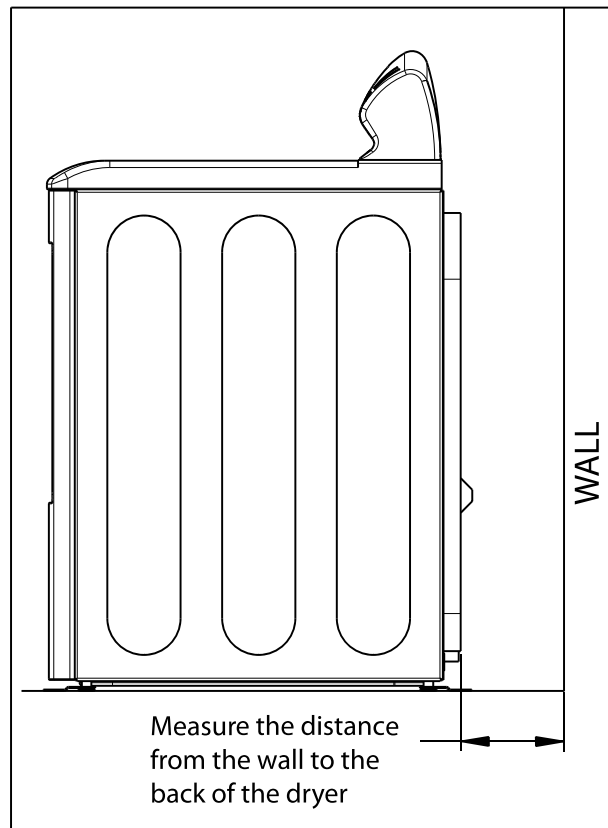


Figure 1

Chapter 7 Disassembly and Installation

Installation Instructions, Cont'd

6. Using the measurements from Step 4, install (2) 0030101225 Hold Down Brackets as shown in Figure 2 using (4) 0030101240 #10 X 1/2" Wood Screw. Note the correct bracket orientation.
7. Move dryer back into place so that the rear leveling feet engage the hold down brackets.
8. Install the exhaust duct.
9. With the dryer in place, install the two remaining hold down brackets to engage the front leveling feet.

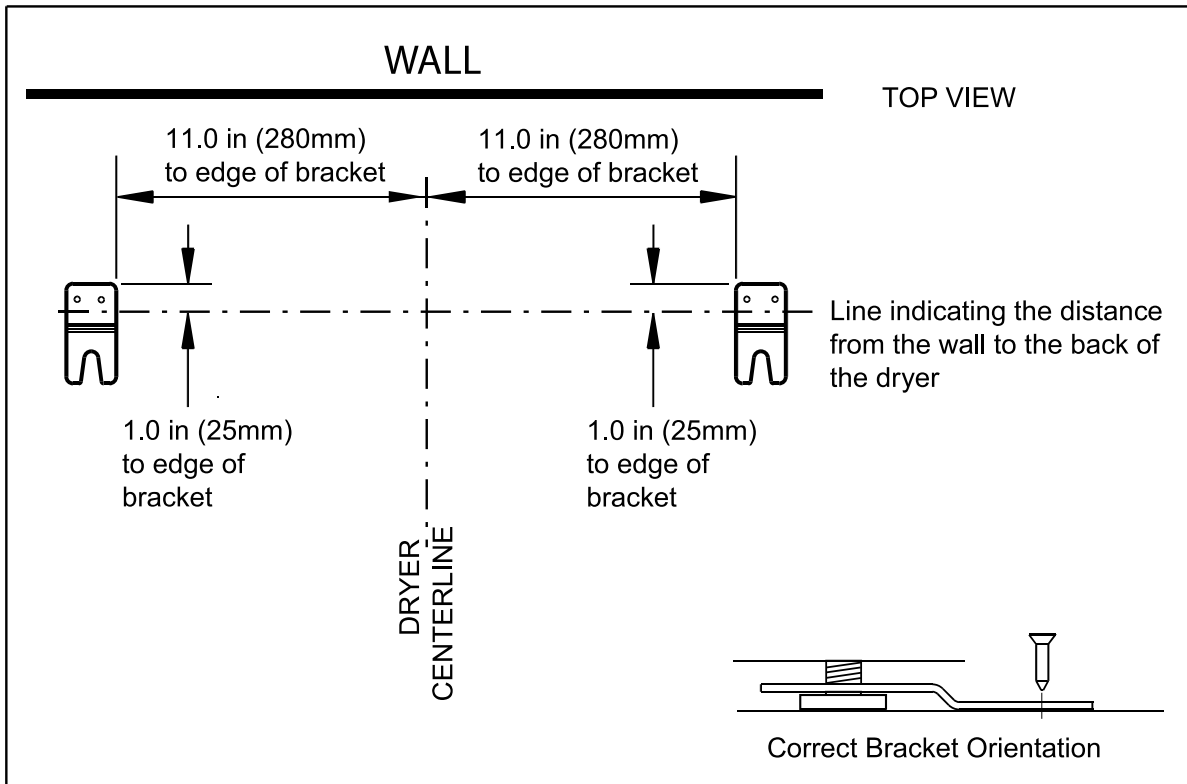


Figure 2

7-8. Installation Instructions

Natural Gas to LP Gas Conversion Kit No. 0030807989

⚠ WARNING

THIS CONVERSION KIT SHALL BE INSTALLED BY A QUALIFIED SERVICE AGENCY IN ACCORDANCE WITH THE MANUFACTURER'S INSTRUCTIONS AND ALL APPLICABLE CODES AND REQUIREMENTS OF THE AUTHORITY HAVING JURISDICTION. THE INFORMATION IN THESE INSTRUCTIONS MUST BE FOLLOWED TO MINIMIZE THE RISK OF FIRE OR EXPLOSION OR TO PREVENT PROPERTY DAMAGE, PERSONAL INJURY, OR DEATH. THE QUALIFIED SERVICE AGENCY IS RESPONSIBLE FOR THE PROPER INSTALLATION OF THIS KIT. THE INSTALLATION IS NOT PROPER AND COMPLETE UNTIL THE OPERATION OF THE CONVERTED APPLIANCE IS CHECKED AS SPECIFIED IN THE MANUFACTURER'S INSTRUCTIONS SUPPLIED WITH THIS KIT.

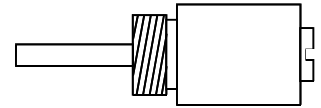
Chapter 7 Disassembly and Installation

THE CONVERSION SHALL BE CARRIED OUT IN ACCORDANCE WITH THE REQUIREMENTS OF THE PROVINCIAL AUTHORITIES HAVING JURISDICTION AND IN ACCORDANCE WITH THE REQUIREMENTS OF THE CSA B149.1, INSTALLATION CODE.

Important Note: Installation of this kit converts the dryer from use with Natural Gas to use with LP Gas for altitudes up to 4,500 feet above sea level. For installations at an altitude greater than 4,500 feet above sea level, contact a qualified service agency for derating instructions.

Parts List

- 1 0030101224 Regulator Blocking Plug
- 1 0030101223 Main Burner Orifice No. 55
- 1 0030502706 LP Gas Conversion Plate Sticker
- 1 0030502705 LP Gas Conversion Service Sticker (English)
- 1 0030502705A LP Gas Conversion Service Sticker (French)
- 1 0030502704 LP Gas Valve Sticker (English)
- 1 0030502704A LP Gas Valve Sticker (French)
- 1 0030502715 Instructions



Regulator Blocking Plug



Main Burner Orifice

Gas input - 20,000 BTU/HR

Before converting the dryer to LP Gas, verify that the incoming gas supply line is equipped with a pressure regulator (located ahead of the dryer) that will maintain the gas supply to the dryer at 12.5 ± 1.5 WC. (31.8 ± 3.8 cm W.C.) Use a U-tube manometer (or similar pressure gauge) to check the pressure.

Installation Instructions

1. Disconnect the electrical power to the dryer.
2. Shut off the gas supply to the dryer.
3. Remove the louvered vent panel on the rear of the dryer. Disengage the drum belt by rotating the idler pulley down and away from the motor. Slide the belt off of the pulleys. (Figure 1)
4. Use a thin flat head screwdriver to disengage the spring clips under the top cover. (Figure 2)

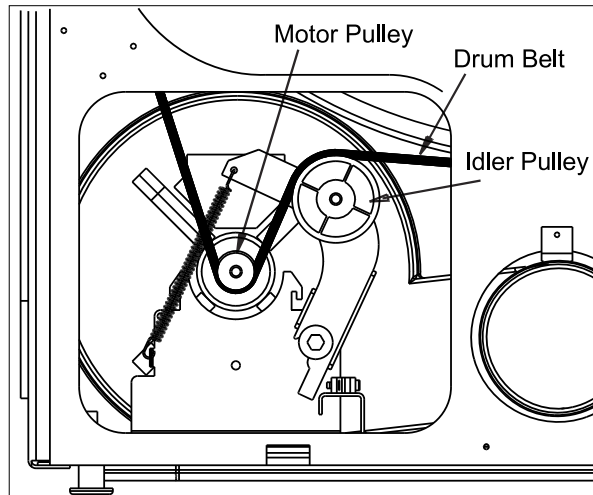


Figure 1

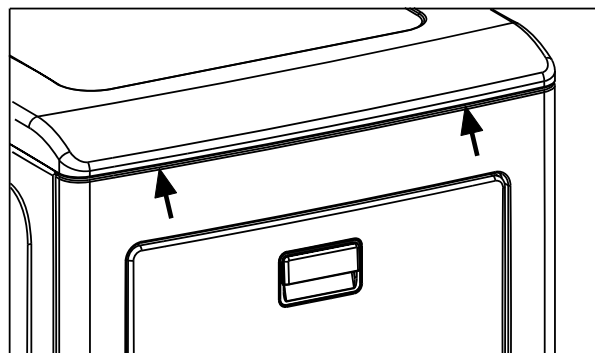


Figure 2

Chapter 7 Disassembly and Installation

- Prop open the top cover and remove the two screws securing the front panel. (Figure 3)
- While holding the outer rim of the drum, tip the front panel forward and away from the drum until it is no longer engaged. Slowly lower the drum to its resting position.
- Disconnect the Humidity Sensor wire harness. Lift and remove the front panel and set it aside.
- Remove the drum and belt and set them aside.
- Remove the two screws that mount the burner to the gas valve bracket. Remove the burner and set it aside. (Figure 4)

CAUTION: Use care in removal to avoid damage to the igniter.

- Use a 3/8" box wrench to remove the existing main burner orifice. Install the new main burner orifice No. 55. (Figure 5). Torque the new orifice to 30 in-lbs (3.4 N-m).
- Remove the vent screw from the top of the gas valve. Install the new regulator blocking plug finger tight, then tighten it no more than 1/8 turn to seal it. (Figure 5)
- Apply No. 0030502704 LP Gas Valve Converted Sticker over the existing valve label. (Figure 5) In Canada, apply No. 0030502704A (French).
- Sign and date one of the No. 0030502705 LP Gas Service Stickers and apply it adjacent to the existing dataplate on the rear of the dryer. In Canada, apply No. 0030502705A (French).
- Apply No. 0030502706 LP Gas Conversion Plate Sticker adjacent to the existing dataplate on the rear of the dryer.
- Reinstall burner to gas valve bracket.
- Remove the pressure tap plug from the gas valve body (Figure 6) and install a pressure tap fitting finger tight.
- Attach flexible tubing for "U" tube manometer to the pressure tap fitting. Run tubing out of the rear of the dryer thru the vent panel opening.

Note: Tubing should be run under the exhaust duct to avoid contact with the drum.

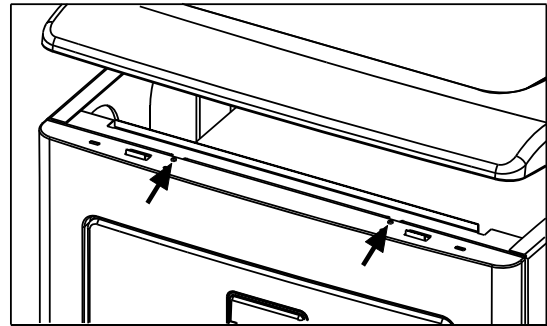


Figure 3

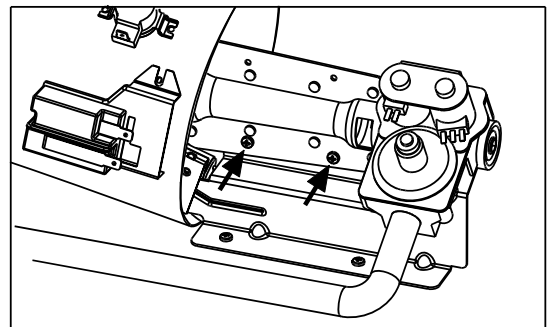


Figure 4

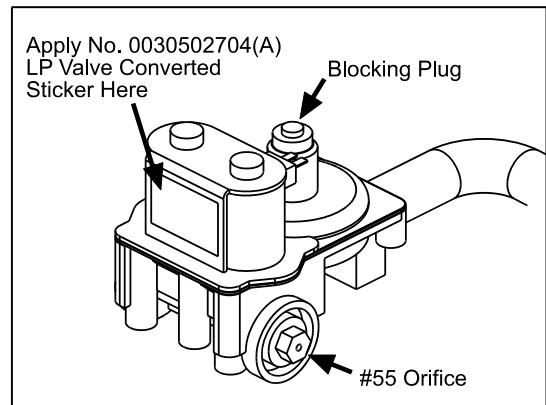


Figure 5

Chapter 7 Disassembly and Installation



18. Reinstall the drum and front panel. Tension the drum belt.
19. Connect electrical service and turn on gas supply to the dryer.
20. Check gas valve pressure as follows:
 - a. Connect manometer to tubing.
 - b. Start dryer using high temp setting.
 - c. Pressure should be 12.5 ± 1.5 " W.C.
 - d. Turn off the dryer.
21. Disconnect electrical service and shut off gas supply to the dryer.
22. Repeat Steps 3 to 9. Remove the tubing and pressure tap fitting and replace pressure tap plug.
23. Turn on gas supply and check for leaks using a soapy solution. **Caution: Do not use an open flame to check for gas leaks.**
24. Shut off gas supply to the dryer.
25. Verify that the dryer conversion has been completed. Recheck the following:
 - Installed Main Burner Orifice #55 (Step 11)
 - Installed Regulator Blocking Plug (Step 12)
 - Verified gas inlet pressure is 12.5 ± 1.5 " W.C.
 - Installed three stickers (Steps 13 to 15)
26. Reinstall the drum and front panel. Tension the drum belt and reinstall the vent panel.
27. Connect electrical service and turn on gas supply to the dryer.

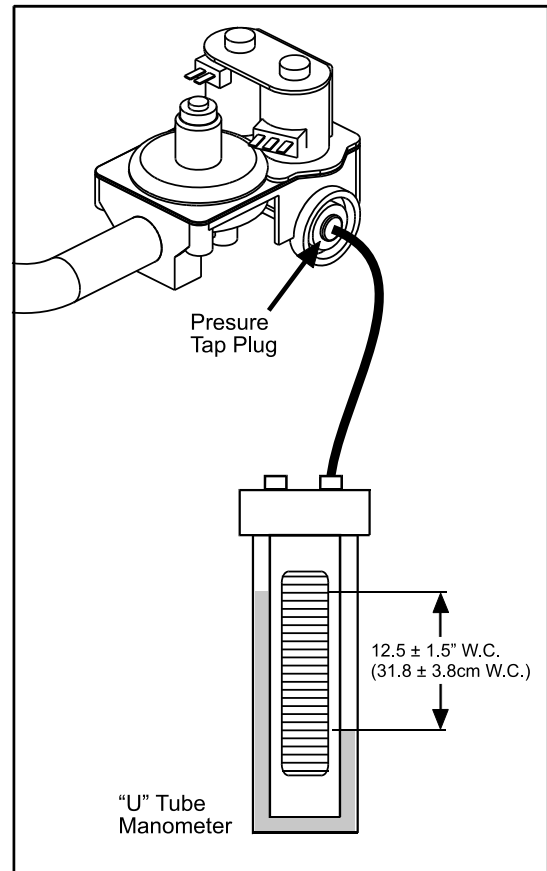


Figure 6

7-9. Gas connections

NOTE: DO NOT connect the dryer to L.P. gas service without converting the gas valve. An L.P. Conversion Kit must be installed by a qualified gas technician.

1. Remove the shipping cap from gas pipe at the rear of the dryer.
2. Connect a 1/2 inch (1.27cm) I.D. semi-rigid or approved pipe from gas supply line to the 3/8 inch (0.96cm) pipe located on the back of the dryer. Use a 1/2 inch to 3/8 inch (1.27cm to 0.96cm) reducer for a connection. Apply an approved thread sealer that is resistant to the corrosive action of liquified gases on all pipe connections.
3. Open the shutoff valve in the gas supply line.
4. Test all connections by brushing on a soapy water solution. **NEVER TEST FOR GAS LEAKS WITH AN OPEN FLAME.**
5. Connect the exhaust duct to the outside exhaust system. Use duct tape to seal all joints.
6. With the dryer in its final position, adjust one or more of the legs until the dryer is resting solid on all four legs. Place a level on top of the dryer. **THE DRYER MUST BE LEVEL AND RESTING SOLID ON ALL FOUR LEGS.**

Chapter 7 Disassembly and Installation

7. Plug the power cord into a grounded outlet. **NOTE:** check to ensure power is circuit breaker/fuse box before plugging the power cord into the outlet.
8. Turn on the power at the circuit breaker/fuse box.

Before operating the dryer, make sure the dryer area is clean and free from combustible materials, gasoline, and other flammable vapors. Also see that nothing (such as boxes, clothing, etc.) obstructs the flow of combustion and ventilation air through the louvered panel located on the rear of the dryer.

9. Run the dryer through a cycle check for proper operation.

NOTE: On gas dryers, before the burner will light, it is necessary for the gas line to be bled of air. If the burner does not light within 45 seconds the first time the dryer is turned on, the safety switch will shut the burner off. If this happens, turn the dryer to "OFF" and wait 5 minutes before making another attempt to light.

NOTE: Follow instructions supplied with kit.

7-10. Connecting to the Gas Supply

- A) Connect female 3/8" NPT elbow to gas inlet on dryer. Then connect 3/8" flare union adapter to female elbow.

IMPORTANT: To prevent the inlet from twisting, please use a pipe wrench to secure the dryer gas inlet. Affix Teflon® tape or pipe compound to adapter and gas inlet.

- B) Attach the flexible metal gas line connector to the adapter.

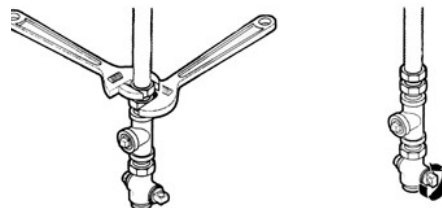
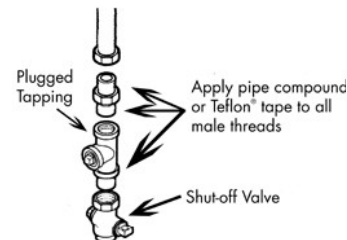
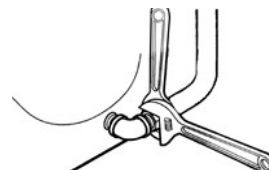
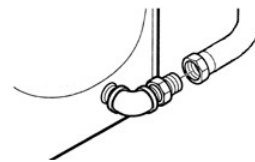
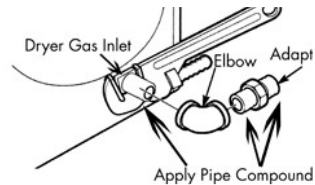
- C) Make sure flexible gas line seal is secure. Use two wrenches for the best possible connection.

- D) To check gas inlet pressure, attach 1/8" NPT plugged tapping to dryer gas line shut-off valve. Then connect flare union adapter to plugged tapping. Affix Teflon® tape to the threads of the adapter and plugged tapping to ensure seal.

- E) Use two adjustable wrenches to tighten every connection.

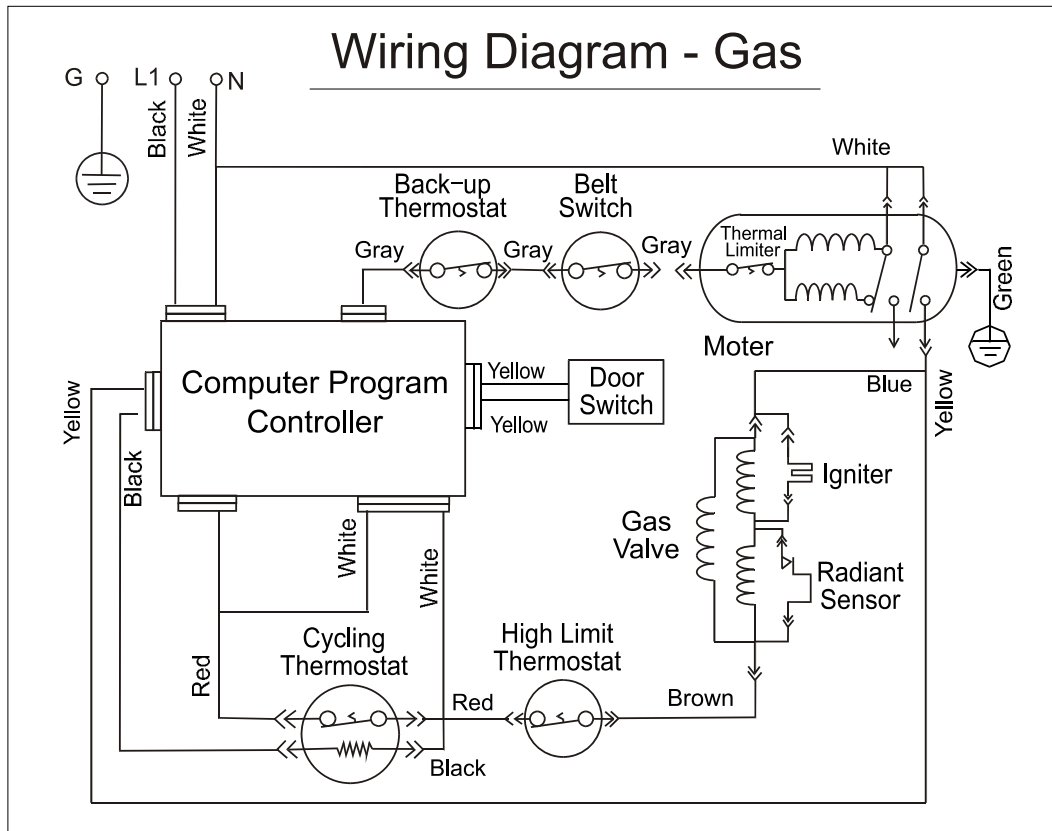
IMPORTANT: Do not overtighten!

- F) Open gas shut-off valve.



Chapter 8 Wiring circuit and Self check

8-1. Wiring circuit



8-2. WIRING DIAGRAM - GAS

Display self check: Press the buttons of "Temp" and "Start/pause" at the same time, then all the LED ON 0.5S , OFF 0.5S and signal 0.5s , after 3 times repeats, dryer will automatically off.

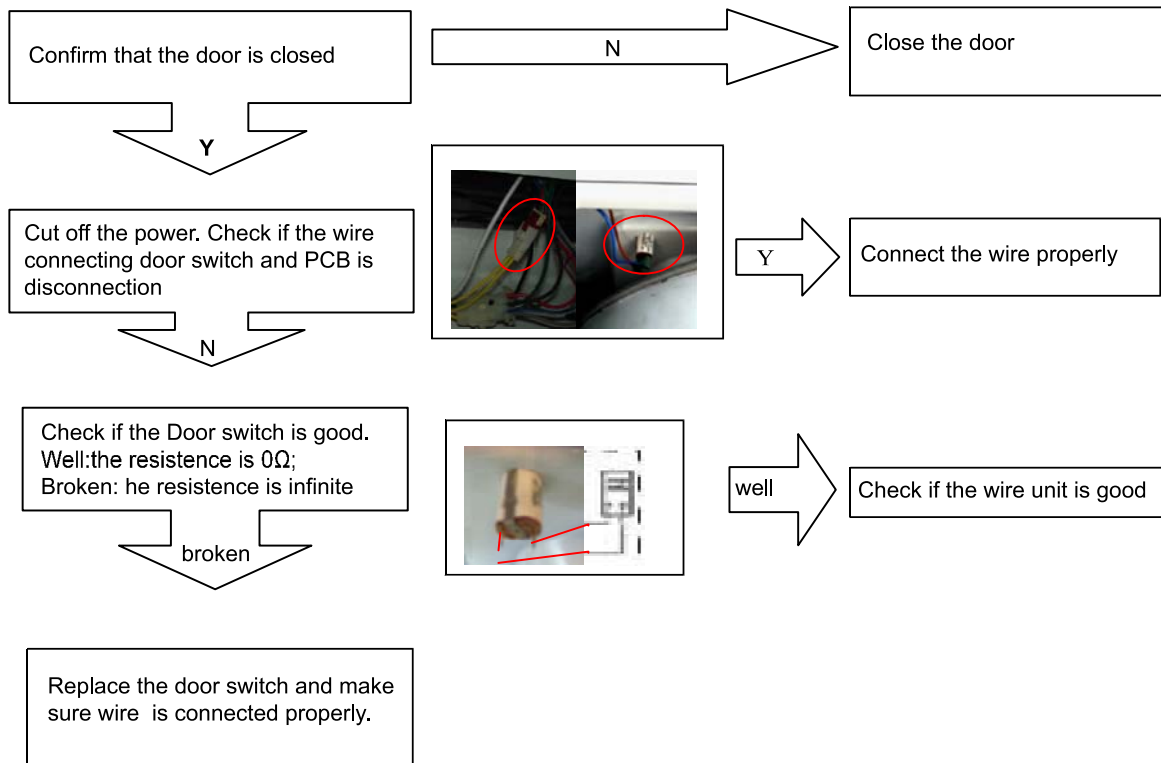
Chapter 9 Error Display and troubleshooting

9-1. Error Display

start the dryer, the status lights is twinkling and the dryer no action

Error message: Door is not closed.

Troubleshooting:



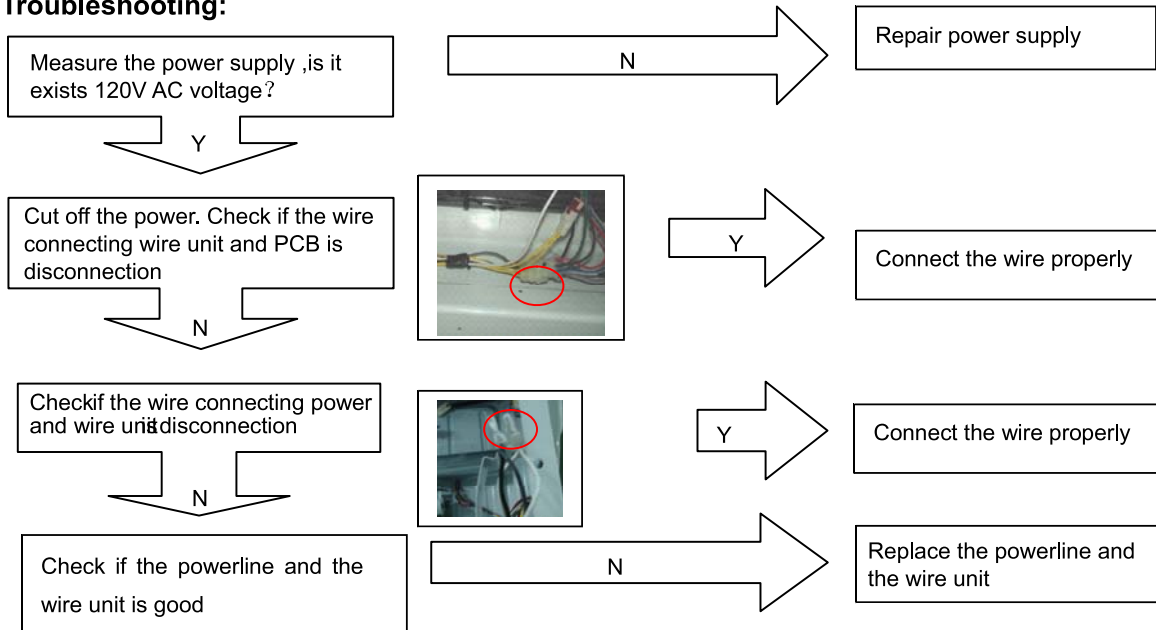
Issue	
Rev.	

Chapter 9 Error Display and troubleshooting

9-2. Examination & Troubleshooting

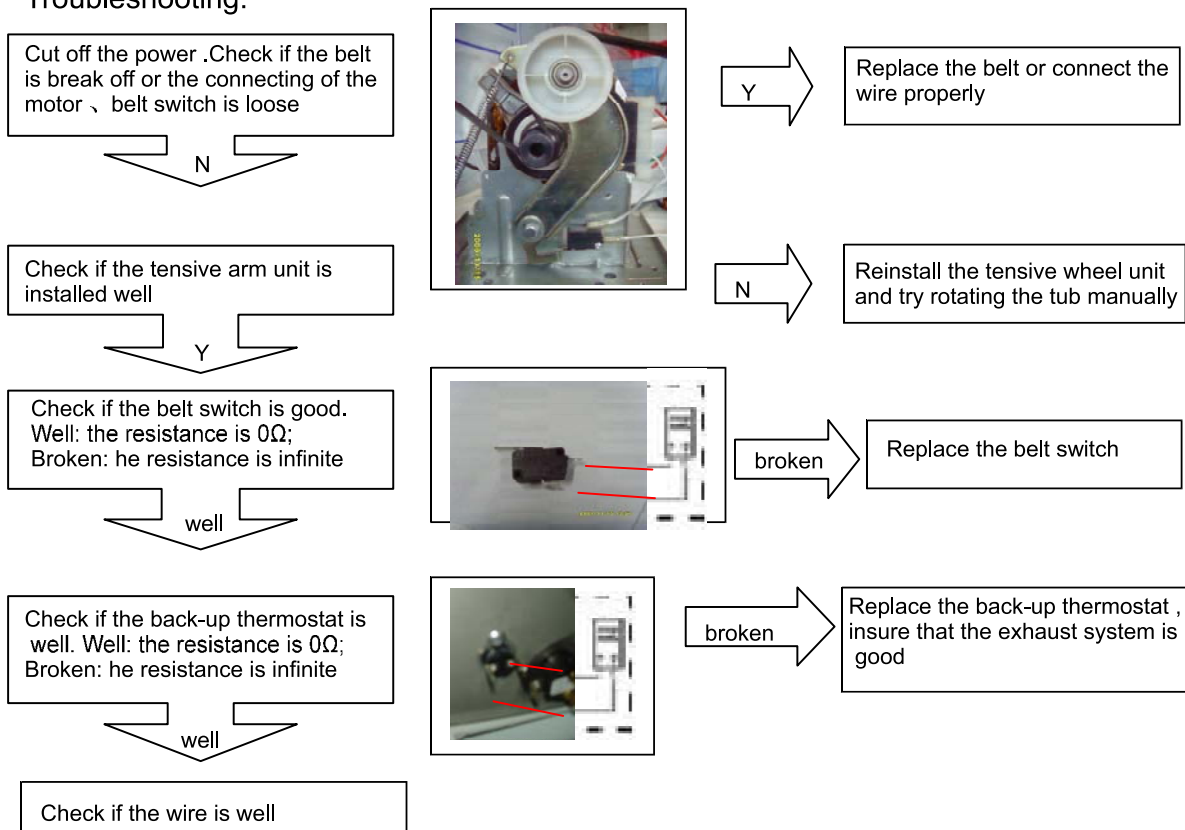
9-2-1. Display nothing

Troubleshooting:



9-2-2. The computer is power on and display right, but the dryer no action

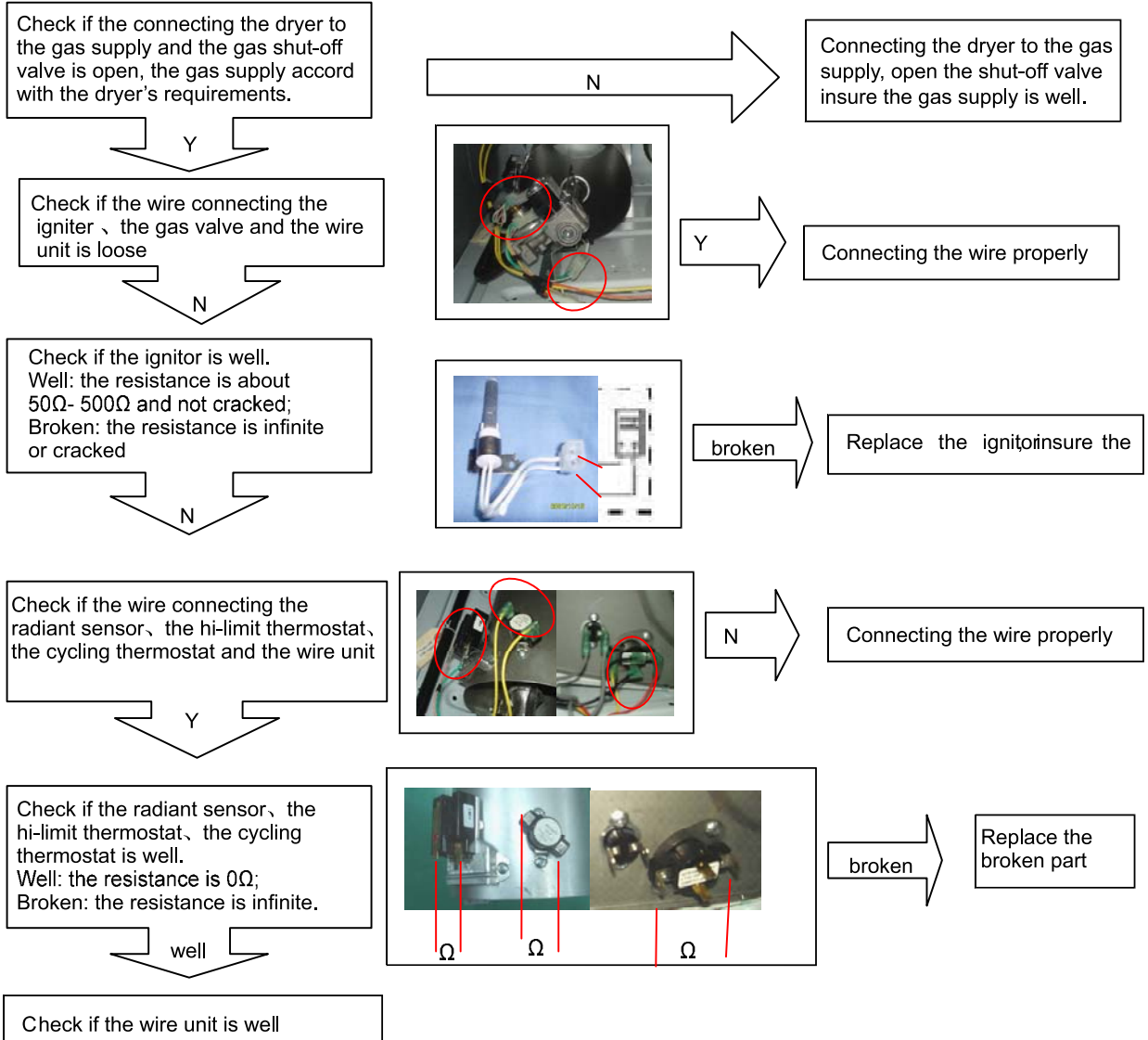
Troubleshooting:



Chapter 9 Error Display and troubleshooting

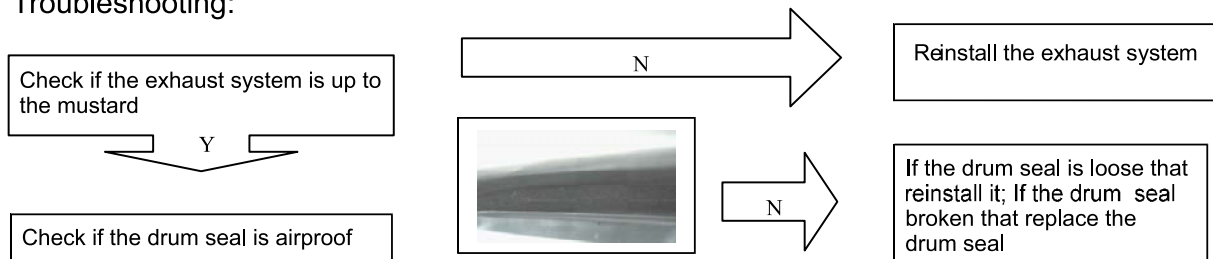
9-2-3. The drum rotates but the dryer have no drying

Troubleshooting:



9-2-4. The dryer drying but clothes can't intensive drying

Troubleshooting:

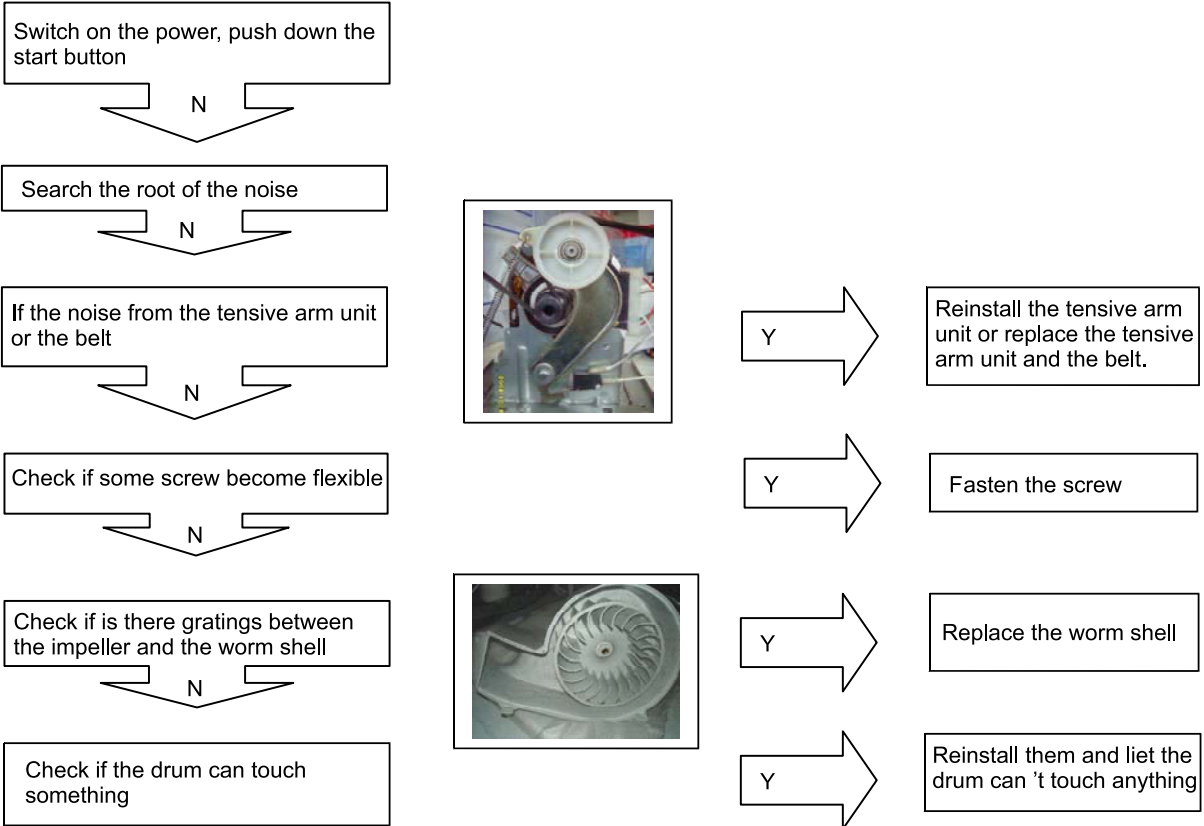


Chapter 9 Error Display and troubleshooting

9-2-5. Too much noise in drying

Troubleshooting:

6



Sincere Forever

Haier Group

**Haier Industrial Park, No.1, Haier Road
266101, Qingdao, China
<http://www.haier.com>**