

Haier

Electric Clothes Dryer

Service Manual



Model:

RDE350AW

Features:

- Electronic Control
- Front Door Design
- 3 Drying Cycles
- End Of Drying Signal
- Wrinkle Care Program
- 4 Temperatures Setting

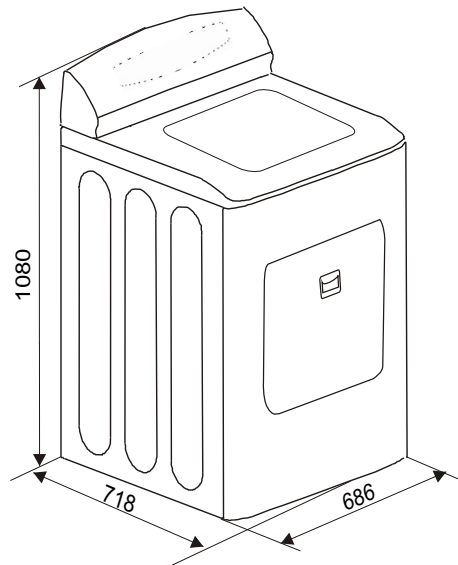
CONTENTS

1. Specifiation list	1
2. Dimensional drawing	1
3. Circuit diagram	2
4. Names of parts	2
5. Usage of the operation knobs.....	3
6. Products brief and new features	4
7. Key point in installation adjustment and disassembly	6
8. Analysis of the common breakdowns	10

1 Specification List

Model	RDE350AW	
Rated voltage • rated frequency	120V/240V 60Hz	
Rated dry capacity	10kg(weight of standard dry cloth)	
Rated power consumption in drying	4800W	
Rated input consumption of motor	379W	
Weight(kg)	About 59kg	
Dimension	L 686mm W 718mm H 1080mm	
Accessories	User's manual , product registration card	
Programs	Automatic	Setting drying program according to the laundries automatically
	Manual setting	the time for setting : 30 min, 60 min, 90 min, 120 min

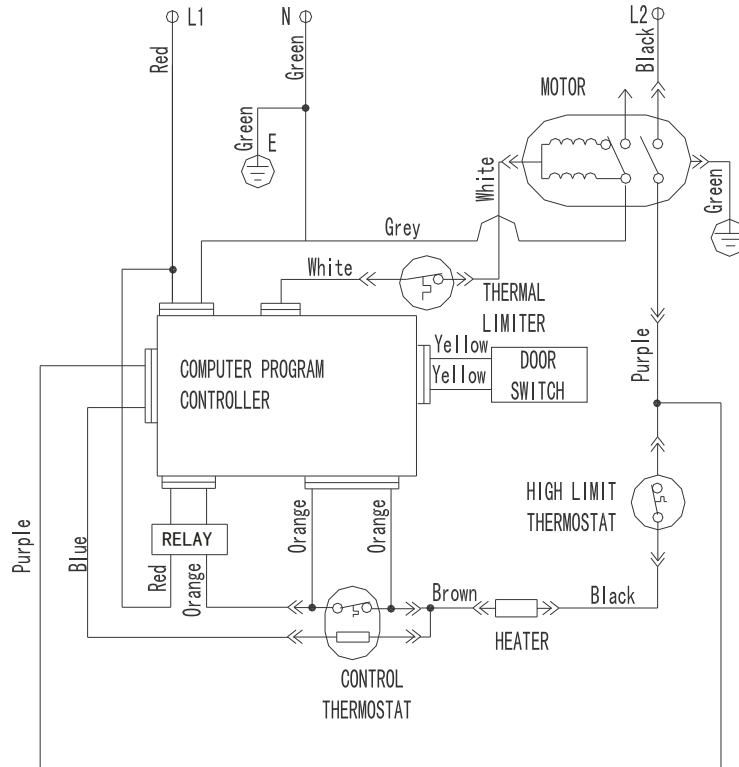
2 Dimensional Drawing



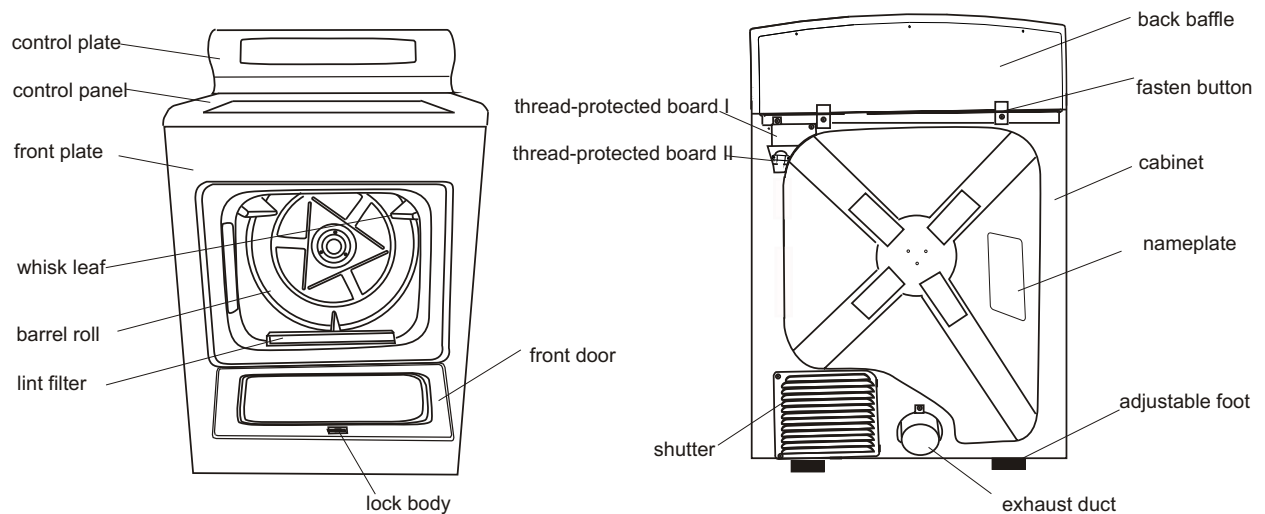
Unit: mm

3 Circuit Diagram

circuit diagram



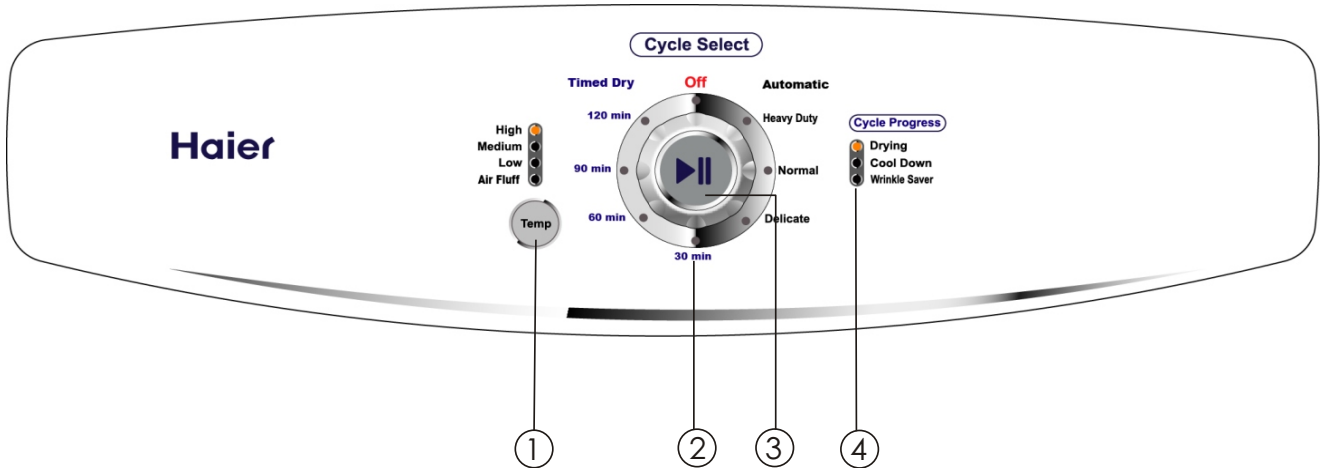
4 Names of parts



5 Usage of the operation knobs

WARNING: to reduce the risk of fire, electric shock or injury to persons, read the IMPORTANT SAFETY INSTRUCTIONS before operating this dryer.

Understanding the Control Panel



Temp Button: (1)

- Used to set drying temperature. There are 4 available drying temperatures: High, Medium, Low, and Air Fluff(no heat).

Cycle Select Dial: (2)

- Select the from 3 Auto-Dry cycles (Heavy Duty, Normal, and Delicates), or 4 Time Dry Cycles (30,60,90 or 120 minutes).

Heavy Duty	Heavy weight material such as jeans or bath towlels
Normal	Normal drying.
Delicate	Drying small quantity clothes and delicate fabric.

Start/Pause Button: (4)

- Press the button to turn the dryer ON. Press this button once to start the dry process.Press this button again to pause the activity during the dry cycle.

Sycle progress: (4)

- This indicates the process the cycle is currently in. At the end of the dry cycle the dryer will automatically go in the wrinkle saves mode. Here the dryer tub will tumble periodically for 1 hour after the dry cycle is completed. To stop simply open the door and remove the clothes.

6 Product Brief and New Features

Product briefs

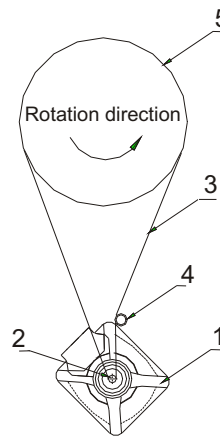
1) Program control

As the control center of the appliance, the program controller directs the appliance to meet the demand of the user like the brain of human body. This part has acquired the UL certification, with long operation life and reliable performance.

2) Temperature sensor

The temperature sensor of this appliance has also acquired the UL certification. It acts as nerve center during usage of the appliance. It is used to detect the dry degree or temperature, and can effectively prevent the defects like the crimple of laundries owing to overheating.

3) Power transmission system



During drying, Motor 1 transmits the driving power to Tumbler 5 through Belt 2 and Multi-wedge belt 3. Then Tensioning wheel 4 tensions the belt under the action of tensioning spring. At the same time, it also increases the transmission wrap angle of the pulley, and improves the transmission efficiency of the belt. The motor rotates to one single direction during drying. The tumbler will also rotate to one single direction. The motor is centrifugal type, and has acquired the UL certification, with strong driving power and long operation life.

4) Air intake and exhaust system

The appliance collects air through shutter, and heats the air with electric heating thread. The air exhaust system composed of volute impellers generates negative atmosphere pressure under the suction force, and thus attracts the hot air into the tumbler to dry the laundries. The air intake and exhaust system has high degree of tightness, and improves the thermal efficiency.

5) Heating system

The electric heating thread installed on the heating plate at the rear of the cabinet, is the heating source of the appliance. The exchanging of cold and hot air is realized by it. The heating power of the electric heating thread is about 4700W. It can raise the air temperature rapidly, and offer hot air continuously.

6) Lint filter

It is a kind of wearing part, made of filter screen frame and screen cloth by one-time plastic injection. When taking off the lint filter, please do not squeeze the screen cloth by force to avoid damaging the cloth. At the same time, please clean it in time after each usage.

6 Product Brief and New Features

New features

Your dryer also has the following features for your convenience:

Dry sensor: (feature only active in auto dry cycle)

This senses temperature in the drum. The dryer will automatically shut itself off.

End of cycle signal:

Your dryer is equipped with an audible signal that alert you every time the dryer load is finished drying.

Lint filter:

All dryer come with a lint filter that needs to be cleaned before or after every use .

Leveling legs:

Your dryer has four leveling legs which are located in the front and rear corners of your dryer. After properly placing your dryer or by turning them counterclockwise to lower your dryer.

Leveling legs can be adjusted by turning them clockwise to raise your dryer or by turning them counter clockwise to lower your dryer.

7 Key points in installation, adjustment and disassembly

Select a suitable location for the dryer on a hard even surface away from direct sunlight or heat source e.g. Radiators, baseboard heaters, cooking appliances etc . Any floor unevenness should be corrected with leveling legs located on the bottom of the dryer.

Tools and materials required

- Phillips head and flathead screwdrivers
- Channel-lock adjustable pliers
- 1/2 inch open end wrench
- Carpenter s level
- Measuring tape (12ft.min.)
- Duct tape
- Rigid or flexible metal 4 inch (10.2 cm) duct
- Vent hood

Electrical requirements

- Power supply:3 wire , 120 volt , 30 amp, 60Hz, 1 phase
- Power supply cord kit:

(Not supplied when sold in the united states) the dryer MUST employ a 3-conductor power supply cord NEMA 10-30 type SRDT rated at 120 Volt AC minium, 30 Amp, with 3 open end spade lug connectors with upturned ends or closed loop connectors and marked for use with clothes dryer.

Unpacking your dryer

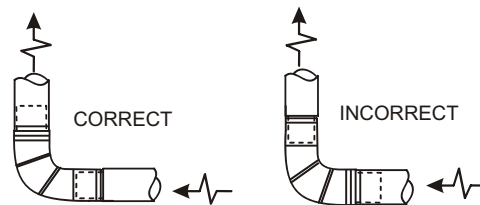
- 1) remove all packaging material . This includes the foam base and all adhesive tape holding the dryer accessories inside and outside.
- 2) inspect and remove any remains of packing, tape or printed material before using the dryer.

Exhaust system connections

Materials

Use only 4 inch (10.2.cm) diameter (minimum) rigid or flexible metal duct and approved vent hood which has a swing-out damper hat open when the dryer is in operation . When the dryer stops, the dampers automatically close to prevent drafts and the entrance of insects and rodents . To avoid restricting the outlet, maintain a minium of 12 inches (30.5 cm) clearance between the vent hood and the ground or any other obstruction . The vent flap should be able to remove freely.

INSTALL MALE FITTINGS IN CORRECT DIRECTION



Number of 90° turns	MAXIMUM LENGTH of 4"(10.2cm)Dia.Rigid Metal Duct	
	VENT HOOD TYPE	
	(Preferred)	
	4" (10.2 cm)	21/2" (6.35 cm)
0	60ft. (18.28 m)	48ft.(14.63 m)
1	52ft. (15.84 m)	40ft.(12.19 m)
2	44ft. (13.41 m)	32ft.(9.75 m)
3	32ft. (9.75 m)	24ft.(7.31 m)
4	28ft. (8.53 m)	16ft.(4.87 m)

Number of 90° turns	MAXIMUM LENGTH of 4"(10.2cm)Dia.Flexible Metal Duct	
	VENT HOOD TYPE	
	(Preferred)	
	4" (10.2 cm)	21/2" (6.35 cm)
0	30ft. (9.14 m)	18ft.(5.49 m)
1	22ft. (6.71 m)	14ft.(4.27 m)
2	14ft. (4.27 m)	10ft.(3.05 m)

After installation is completed, the following method must be used to determine if the exhaust system is acceptable:

1. Connect an inclined or digital manometer between the dryer and the point the exhaust connects to the dryer.
2. Set the dryer timer and temperature to air fluff (cool down) and start the dryer.
3. Read the measurement on the manometer.
4. The system back pressure **MUST NOT** be higher than 0.75 inches of water column. If the system back pressure is less than 0.75 inches of water column, the system is acceptable. If the manometer reading is higher than 0.75 inches of water column, the system is too restrictive and the installation is unacceptable.

Although vertical orientation of the exhaust system is acceptable, certain extenuating circumstances could affect the performance of the dryer:

1. Only the rigid metal duct work should be used.
2. Venting vertical through a roof may expose the exhaust system to down drafts causing an increase in vent restriction.
3. Running the exhaust system through an uninsulated area may cause condensation and faster accumulation of lint.
4. Compression or crimping of the exhaust system will cause an increase in vent restriction.

The exhaust system should be inspected and cleaned a minimum of every 18 months with normal usage. The more the dryer is used, the more often you should check the exhaust system and vent hood for proper operation.

Location of your dryer

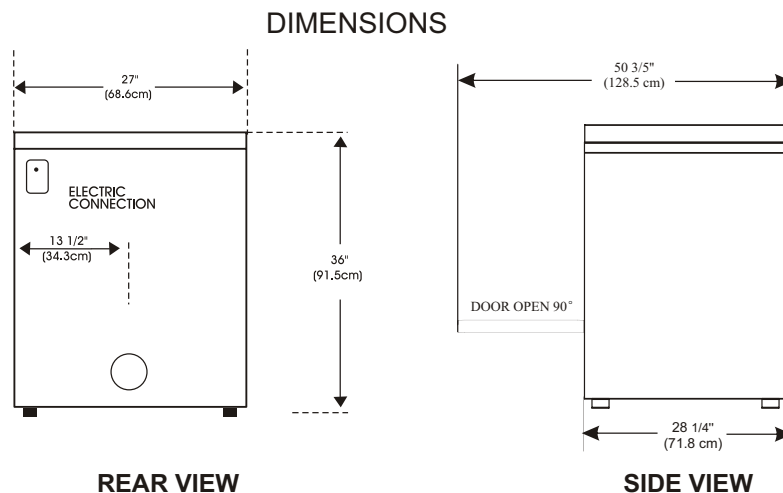
Do not install your dryer:

- In an area exposed to dripping water or outside water conditions.
- In an area where it will come in contact with curtains drapes, or anything that will obstruct of combustion and ventilation air.
- On carpet, floor must be solid with a maximum slope of inch (2.54 cm).

Installation in recess or closet:

- In a dryer installation in a bedroom, bathroom, recess or closet, must be exhausted outdoors.
- Your dryer needs the space around it for proper ventilation.
- A minimum of 120 square inches(774.2 square cm) of opening, equally divided at the top and bottom of the door, is required. Air openings are required to be unobstructed when a door is installed. The full length of the door is acceptable.

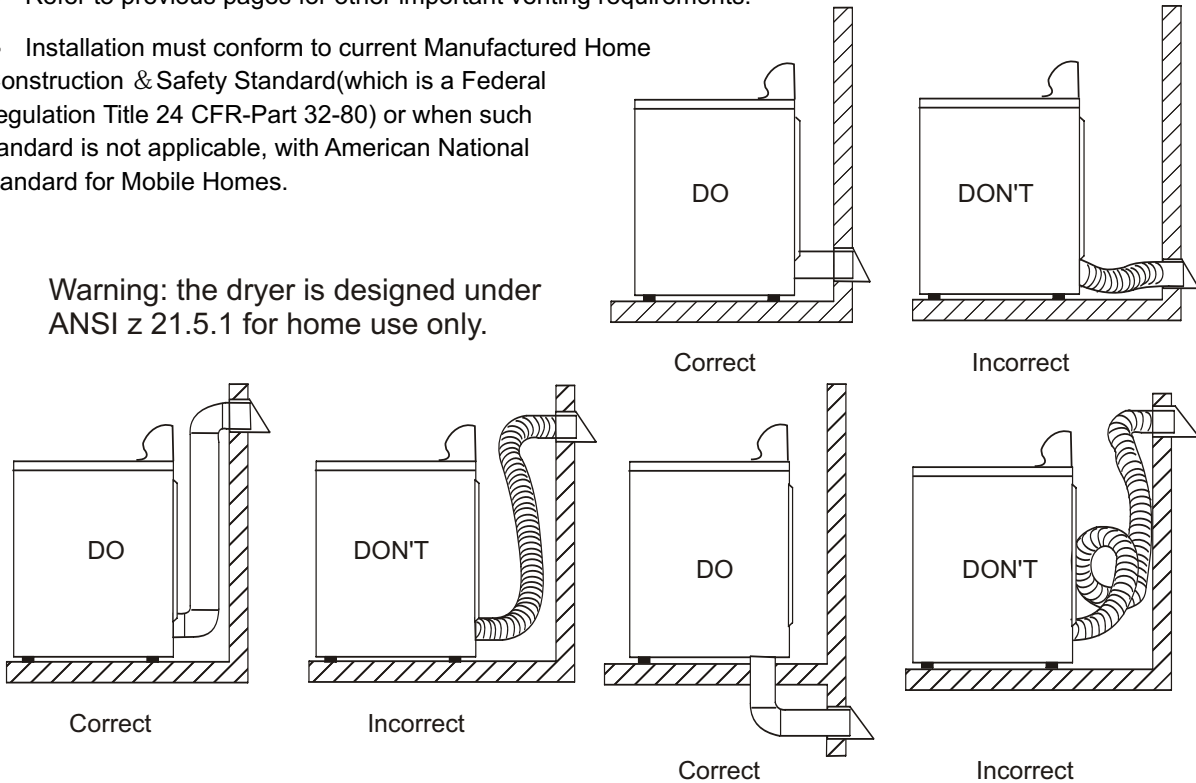
Rough-in dimensions



Installation in mobile home

- Dryer must be exhausted outside (outdoors, not beneath the mobile home) using metal ducting that will not support combustion. Metal ducting must be 4 inches (10.16 cm) in diameter with no obstructions. Rigid metal duct is preferred.
- If dryer is exhausted through the floor and area beneath the mobile home is enclosed, the exhaust system must terminate outside the enclosure with the termination securely fastened to the mobile home structure.
- Refer to previous pages for other important venting requirements.
- Installation must conform to current Manufactured Home Construction & Safety Standard (which is a Federal Regulation Title 24 CFR-Part 32-80) or when such standard is not applicable, with American National Standard for Mobile Homes.

Warning: the dryer is designed under ANSI z 21.5.1 for home use only.



Electrical connections

Requirements and instructions

Warning: the following are specific requirements for proper and safe electrical installation of your dryer. Failure to following these instructions in this manual for proper grounding.

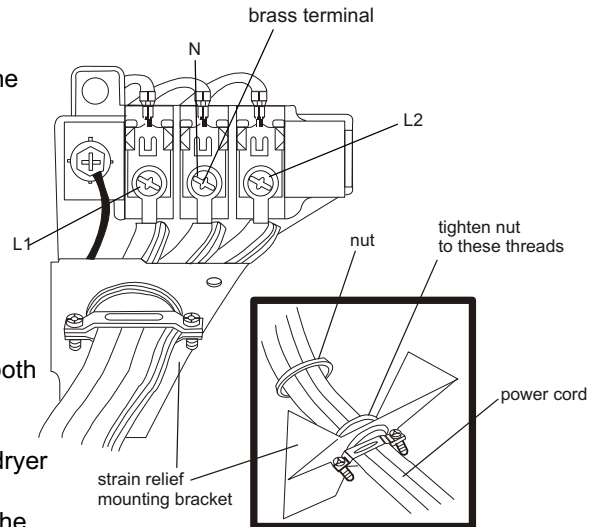
1. This appliance **MUST** be properly grounded. Electrical shock can result if the dryer is not properly grounded. Follow the instructions in this manual for proper grounding.
2. Do not use an extension cord with this dryer. Some extension cords are not designed to withstand the amounts of electrical current this dryer utilizes and can melt, creating electrical shock and/or fire hazard. Locate the dryer within reach of the receptacle for the length power cord to be purchased, allowing some slack in the cord. Refer to the pre-installation requirements in this manual for the proper power cord to be purchased.
3. A U.L. approved strain relief must be installed onto power cord. If the strain relief is not attached, the cord can be pulled out of the dryer and can be cut by any movement of the cord, resulting in electrical shock.
4. Do not use an aluminum wire receptacle with a copper wired power cord and plug (or vice versa). A chemical reaction occurs between copper and aluminum and can cause electrical shorts. The proper wiring and receptacle is a copper wired power cord with a copper wired receptacle.

Danger :

Improper connection of the equipment grounding conductor can result in a risk of electrical shock. Check with a licensed electrician if you are in doubt as to whether the appliance is properly grounded. The dryer **MUST** be connected to a grounded metal, permanent wiring system, or an equipment grounding conductor must be run with the circuit conductors and connected to the equipment-grounding terminal or lead on the appliance.

3-wire cord connections

1. Remove the screws securing the terminal block access cover and the strain relief mounting bracket located on the back of the dryer in the upper corner.
2. Install a strain relief into the power cord entry hole of the mounting bracket. Finger tighten the nut only at this time.
3. Thread a 30 Amp. Power cord, 245 IEC66(YCW) 450V/750V, through the strain relief.
4. Attach the power cable earthconductor to the silver coloured centre terminal on the terminal block. Tighten the screw securely.
5. Attach the remaining two power cable outer conductors to the outer silver coloured terminals on the terminal block. Tighten both screws securely. Warning:Do not make a sharp bend or crimp wiring/conductor at connections.
6. Reattach the strain relief mounting bracket to the back of the dryer with two screws. Tighten screws securely.
7. Tighten the screws securing the cable restraint firmly against the power cable.
8. Tighten the tension relief nut securely so that the tension relief does not turn.
9. Reinstall the terminal block cover.



▲ Grounding instruction: This appliances must be connected to a ground metal,permanent wiring system, or an equipment-grounding conductor must be run with the circuit conductors and connected to the equipment-grounding terminal or lead on the appliance.

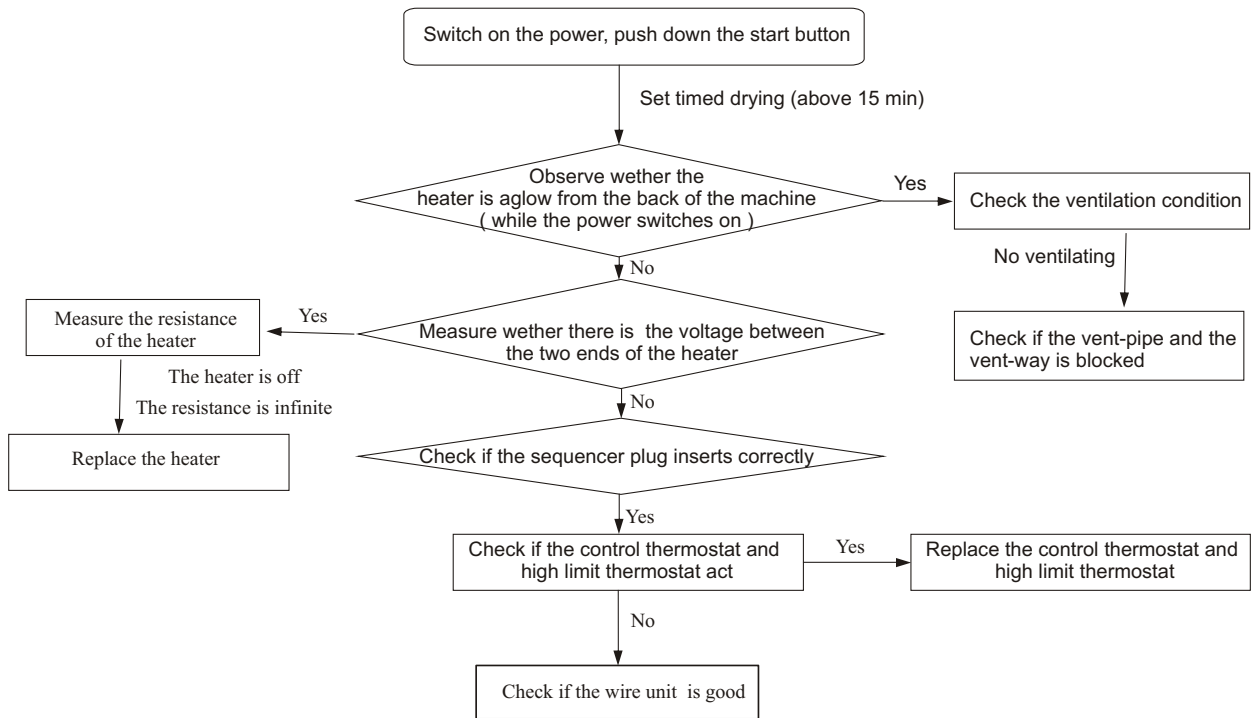
▲ Warning: Improper connection of the equipment-grounding conductor can result in a risk of electric shock. Check with a qualified electrician or service representative or personnel if you are in doubt as to whether the appliance is properly grounded.

▲ Caution: Label all wires prior to disconnection, when servicing controls.Wiring errors can cause improper operation and be dangerous. Check unit for proper operation after servicing.

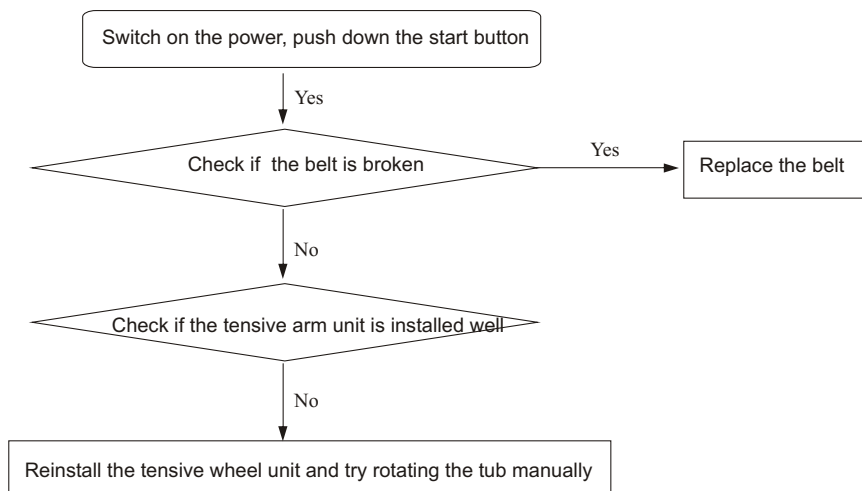
▲ Warning: Discard or destroy the carton and plastic bags after the dryer is unpacked. Children should not be allowed to use them to play with. Cartons covered with rugs bedspreads, or plastic sheets can become an airtight chamberand cause suffocation leading to death. Make all packing materials inaccessible to children.

▲ Warning: The instructions in this manual and all other literature included with this dryer can not cover every possible condition and situation that may occur. Good safety practice and caution must be applied when installing, operating and maintaining any appliances. After installing, if you are indoubt, call a qualified electrician to install and wire the dryer.

8.2 the tub rotates but does not dry



8.3 the machine dries but the tub does not rotates

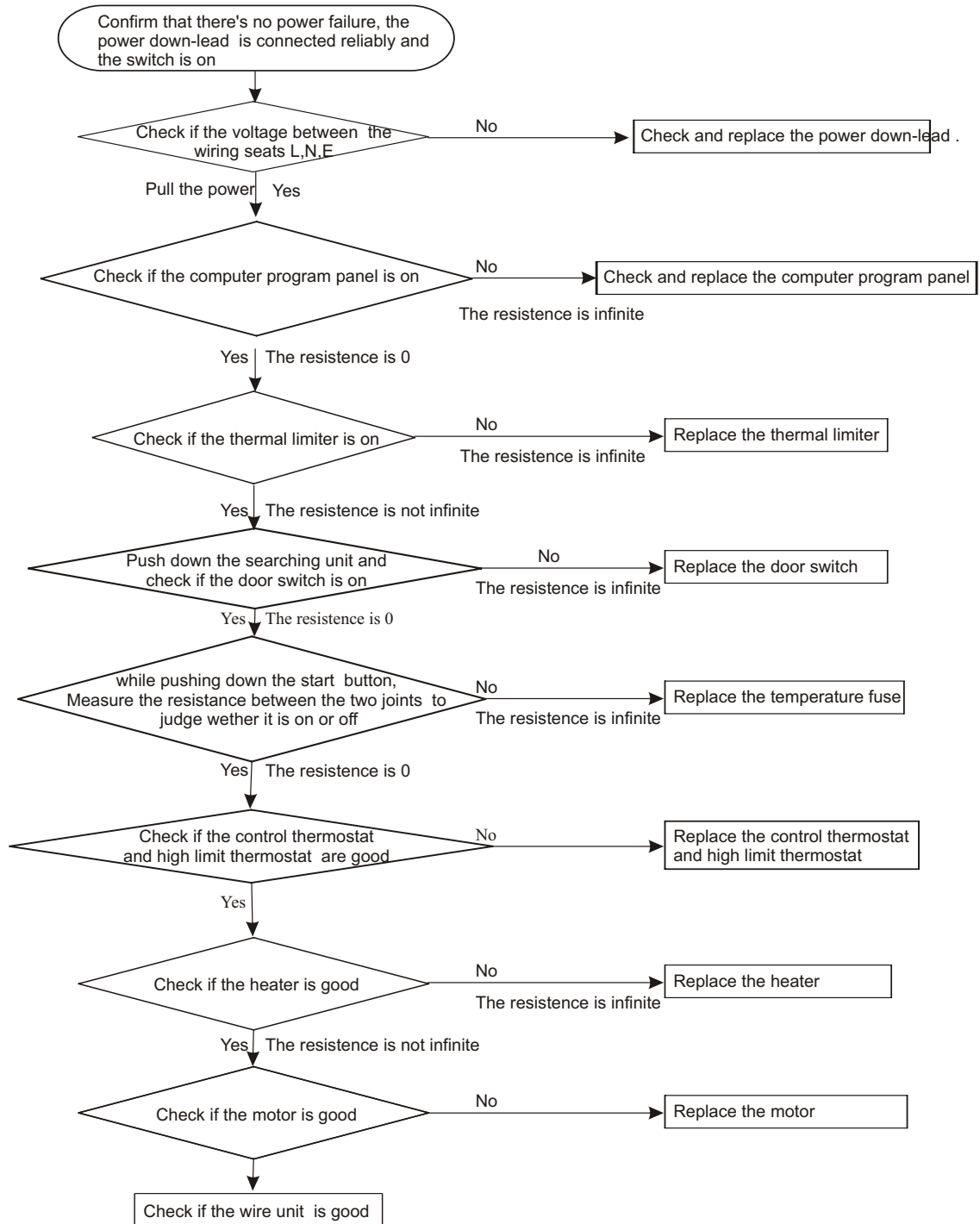


8 Analysis of the common breakdowns

Trouble-shooting charts

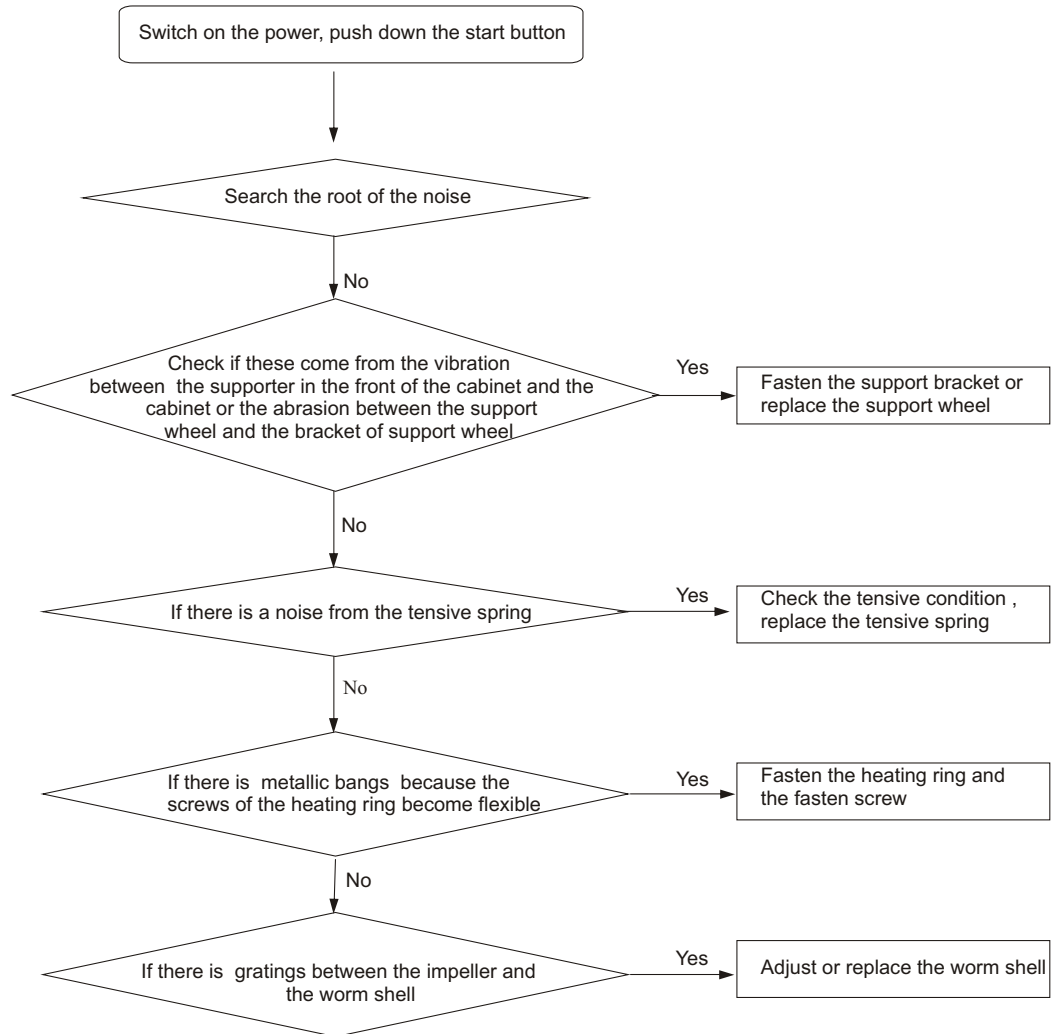
If you replace the thermal limiter or program controller without checking the other components carefully, the thermal limiter or program controller may be damaged again. Therefore, please first check if the other components working normally before replacing the thermal limiter or program controller in maintenance.

8.1 No action



8.4 too much noise in drying

the noise includes the harsh , the metallic bang and the big collision sound during drying , These are normal sounds such as vent-like sound and a grating ect.



Sincere Forever

Haier Group

Haier Industrial Park, No.1, Haier Road

266101, Qingdao, China

<http://www.haier.com>