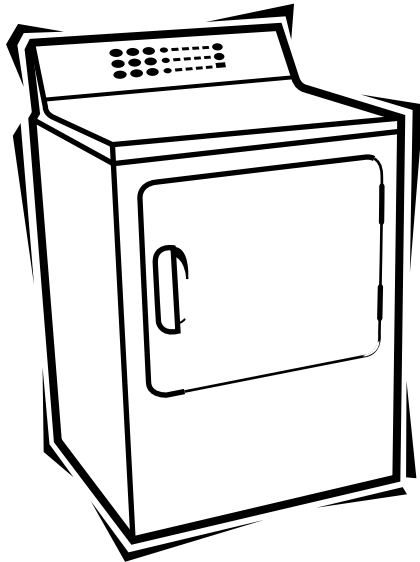




# TECHNICAL SERVICE GUIDE

## Wizard™ 7.0 Cubic Foot Super Capacity Dryer



### MODEL SERIES:

DPSE592EA0

DPSE592GA0

DNCD450EA0

DNCD450GA0





### **IMPORTANT SAFETY NOTICE**

The information in this service guide is intended for use by individuals possessing adequate backgrounds of electrical, electronic, and mechanical experience. Any attempt to repair a major appliance may result in personal injury and property damage. The manufacturer or seller cannot be responsible for the interpretation of this information, nor can it assume any liability in connection with its use.

### **WARNING**

If the information in this manual is not followed exactly, a fire or explosion may result causing property damage, personal injury or death. If you smell gas:

- Do not try to light any appliance.
- Do not touch any electrical switch; do not use any phone in the building.
- Immediately call the gas supplier from a neighbor's phone. Follow the gas supplier's instructions.
- If you cannot reach the gas supplier, call the fire department.

### **WARNING**

To avoid personal injury, disconnect power before servicing this product. If electrical power is required for diagnosis or test purposes, disconnect the power immediately after performing the necessary checks.

### **RECONNECT ALL GROUNDING DEVICES**

If grounding wires, screws, straps, clips, nuts, or washers used to complete a path to ground are removed for service, they must be returned to their original position and properly fastened.

## ***GE Consumer Home Services Training***

*Technical Service Guide*

*Copyright © 2000*

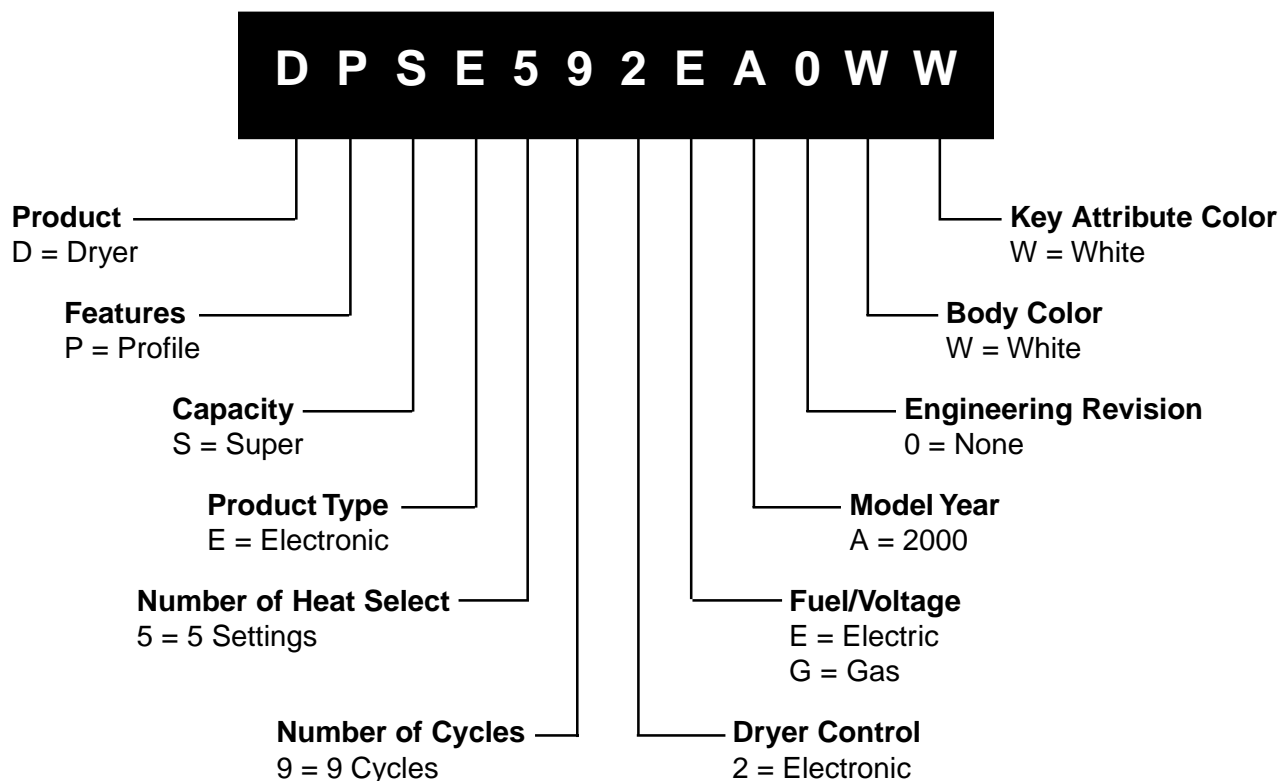
All rights reserved. This service guide may not be reproduced in whole or in part in any form without written permission from the General Electric Company.

## Table of Contents

<b>Dryer Nomenclature</b>	.....	<b>2</b>
<b>Warranty Information</b>	.....	<b>3</b>
<b>Installation Highlights</b>	.....	<b>4</b>
<b>Operating Characteristics</b>	.....	<b>8</b>
<b>Electronic Controls</b>	.....	<b>12</b>
<b>Control Settings</b>	.....	<b>15</b>
<b>Removal and Replacement</b>	.....	<b>22</b>
<b>Schematics</b>	.....	<b>24</b>
<b>Troubleshooting Flowcharts</b>	.....	<b>28</b>
<b>Illustrated Parts Breakdown</b>	.....	<b>30</b>

# Dryer Nomenclature

## Model Number



GEA00519

## Serial Number

The first two numbers of the serial number identify the month and year of manufacture.

*Example:* AZ123456S = January, 2000

A - JAN	2005 - H
D - FEB	2004 - G
F - MAR	2003 - F
G - APR	2002 - D
H - MAY	2001 - A
L - JUN	2000 - Z
M - JUL	1999 - V
R - AUG	1998 - T
S - SEP	1997 - S
T - OCT	1996 - R
V - NOV	1995 - M
Z - DEC	1994 - L

The letter designating the year repeats every 12 years.

*Example:*

T - 1974  
T - 1986  
T - 1998

**Note:** The technical sheet is located under the control panel.

## **Warranty Information** (For customers in the United States)

All warranty service is provided by our Factory Service Centers or an authorized Customer Care® technician. For service, call 800-GE-CARES.

This warranty is valid only in the United States. Warranty may vary in Canada. See your approved Profile dealer for details.

<b>For The Period Of:</b>	<b>GE Will Replace:</b>
<p><b>One Year</b> From the date of the original purchase</p>	<p><b>Any part</b> of the dryer which fails due to a defect in materials or workmanship. During this <b>full one-year warranty</b>, GE will also provide, <b>free of charge</b>, all labor and in-home service to replace the defective part.</p>
<p><b>Five Years</b> From the date of the original purchase</p>	<p><b>Any extra large or super capacity dryer drum</b> which fails due to a defect in materials or workmanship. During this <b>additional four-year limited warranty</b>, you will be responsible for any labor or in-home service costs.</p>

### **What GE Will Not Cover:**

- Service trips to your home to teach you how to use the product.
- Improper installation.
- Failure of the product if it is abused, mis-used, or used for other than the intended purpose or used commercially.
- Replacement of house fuses or resetting of circuit breakers.
- Damage to the product caused by accident, fire, floods or acts of God.
- Incidental or consequential damage to personal property caused by possible defects with this appliance.

**Note:** Some models may have an extended warranty beyond 5 years. Those models have a special warranty sheet enclosed when delivered to the customer. Unless that additional warranty sheet is attached, all other warranty conditions shown above apply.

*This warranty is extended to the original purchaser and any succeeding owner for products purchased for home use within the USA. In Alaska, the warranty excludes the cost of shipping or service calls to your home.*

*Some states do not allow the exclusion or limitation of incidental or consequential damages. This warranty gives you specific legal rights, and you may also have other rights which vary from state to state. To know what your legal rights are, consult your local or state consumer affairs office or your state's Attorney General.*

**Warrantor: General Electric Company, Louisville, KY 40225**

# Installation Highlights

## Exhaust Information

**WARNING:** Use only metal 4-in. duct. Do not use duct longer than specified in the Exhaust Length table.

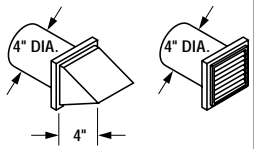
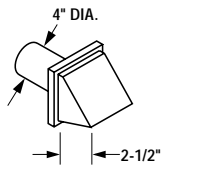
Exhaust longer than specified will:

- Increase the drying times and the energy cost.
- Reduce the dryer's life.
- Accumulate lint, creating a potential fire hazard.

**The correct exhaust installation is your responsibility. Problems due to incorrect installation are not covered by the warranty.**

The maximum allowable length of the exhaust system depends upon the type of duct, the number of turns, the type of exhaust hood (wall cap), and all conditions noted in this section. Both, rigid and flexible metal ducts are shown in the following table.

### EXHAUST LENGTH

RECOMMENDED MAXIMUM LENGTH				
Exhaust Hood Types				
Recommended		Use only for short run installations		
				
No. of 90° Elbows	Rigid Metal	Flexible Metal	Rigid Metal	Flexible Metal
0	45 Feet	30 Feet	30 Feet	15 Feet
1	35 Feet	20 Feet	20 Feet	10 Feet
2	25 Feet	10 Feet	10 Feet	
3	15 Feet			

GEA00565

## Exhaust System Checklist

### Hood or Wall Cap

- Terminate in a manner to prevent back drafts or entry of birds or other wildlife.
- Termination should present minimal resistance to the exhaust airflow and should require little or no maintenance to prevent clogging.
- Never install a screen over the exhaust duct.
- Wall caps **must** be installed with opening pointed down at least 12 in. above ground level or any other obstruction.
- If roof vents or louvered plenums are used, they **must** be equivalent to a 4-in. dampened wall cap in regard to resistance to airflow, prevention of back drafts, and maintenance required to prevent clogging.

**Note:** To check airflow restrictions on the electric dryer model, check amperage from the black wire to pin #8. If 22.2 amps are shown and the relay does **not** trip within 10 minutes, the airflow is OK. If the relay trips the inlet thermostat within the first 5 minutes and reads 11.1 amps, then airflow is restricted.

### Separation of Turns

For best performance, separate all turns by at least 4 ft of straight duct, including the distance between the last turn and the dampened wall cap.

### Turns Other Than 90°

- One turn of 45° or less may be ignored.
- Two 45° turns should be treated as one 90° turn.
- Each turn over 45° should be treated as one 90° turn.

### Sealing of Joints

- All joints should be tight to avoid leaks. The male end of each section of duct must point away from the dryer.
- Do **not** assemble the ductwork with fasteners that extend into the duct: they will serve as a collection point for lint.
- Duct joints can be made airtight and moisture-tight by wrapping the overlapped joints with duct tape.

### Insulation

Duct work that runs through an unheated area or is near air conditioning should be insulated to reduce condensation and lint buildup.

### Exhaust Connection

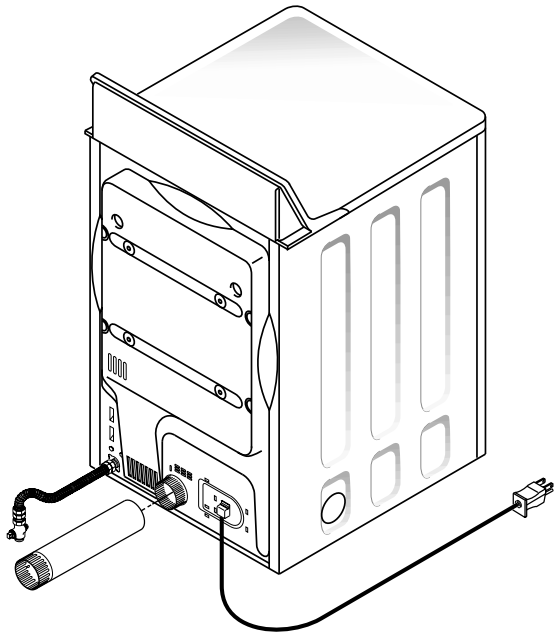
**WARNING:** To reduce the risk of fire or personal injury:

- This dryer **must** be exhausted to the outdoors.
- Use only metal duct.
- Do **not** terminate exhaust in a chimney, any gas vent, under an enclosed floor (crawl space), or into an attic: the accumulated lint could create a fire hazard.
- Provide access for inspection and cleaning of the exhaust system, especially at turns. Inspect and clean at least once a year.

- Never terminate the exhaust into a common duct with a kitchen exhaust: a combination of lint and grease could create a fire hazard.
- Do **not** obstruct incoming or exhausted air.

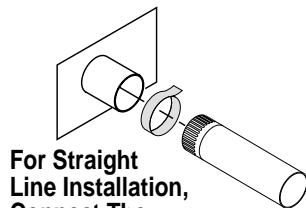
This dryer comes ready for rear exhausting. If space is limited, use the “Dryer Exhaust to Left or Bottom of Cabinet” instructions to exhaust directly from the left side or bottom of the cabinet.

### STANDARD REAR EXHAUST

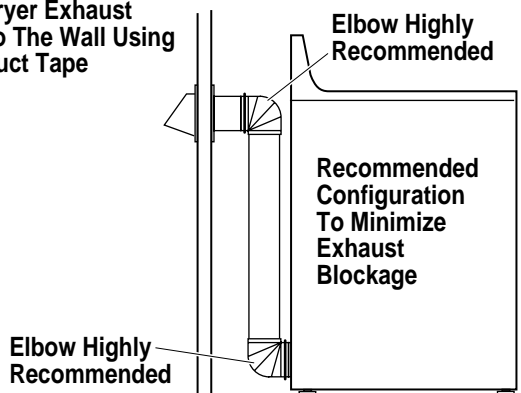


Cut The Standard Exhaust Duct To Proper Length. Avoid Bunching Of The Duct Behind The Dryer.

GEA00554



For Straight Line Installation, Connect The Dryer Exhaust To The Wall Using Duct Tape



GEA00555

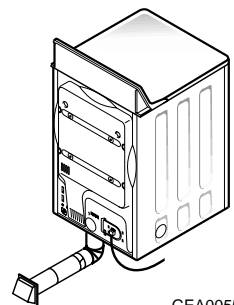
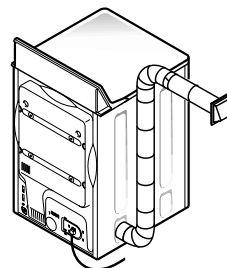
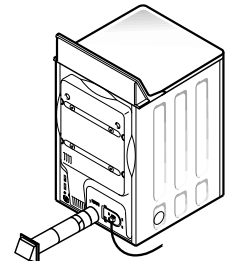
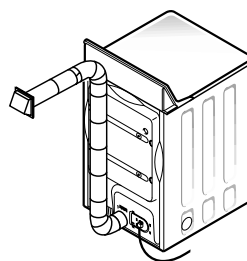
**Note:** Elbows will prevent duct kinking and collapsing.

### Using Flexible Metal Ducts

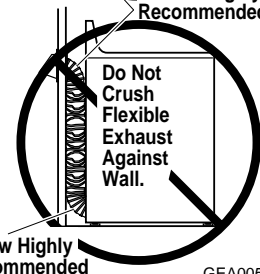
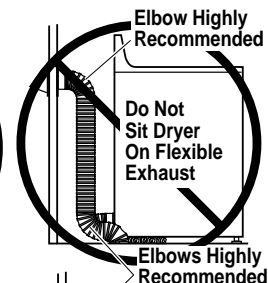
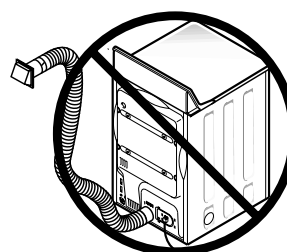
If rigid all-metal duct cannot be used, then flexible all-metal venting can be used, but it will reduce the maximum recommended duct length. In special installations when it is impossible to make connection with the above recommendations, UL-listed clothes dryer transition duct may be used as transition venting between the dryer and wall connection only. The use of this ducting will affect dry time.

If flexible transition duct is necessary, you must adhere to the following directions:

- Use the shortest duct length possible.
- Stretch the duct to its maximum length.
- Do **not** crush or collapse the duct.
- Never use transition duct inside the wall or inside the dryer.
- Avoid resting the duct on sharp objects.
- Venting **must** conform to local building codes.



GEA00556



GEA00557

## Alcove or Closet Installation

- If your dryer is approved for installation in an alcove or closet, it will be stated on a label on the dryer back.
- The dryer **must** be vented to the outdoors. See the “Exhaust Information” section.
- Minimum clearance between the dryer cabinet and adjacent walls or other surfaces is:
  - 0 in. either side
  - 3 in. front and rear
- Minimum vertical space from the floor to the overhead cabinets, ceiling, etc. is 52 in.
- Closet doors **must** be louvered or otherwise ventilated and **must** contain a minimum of 60 sq. in. of equally distributed open area. If the closet contains both a washer and a dryer, the doors **must** contain a minimum of 120 sq. in. of equally distributed open area.

### For Gas Dryers:

- The closet should be vented to the outdoors to prevent gas pocketing in case of a gas leak in the supply line.
- No other fuel-burning appliance shall be installed in the closet with the dryer.

## Bathroom or Bedroom Installation

- The dryer **must** be vented to the outdoors. See the “Exhaust Information” section.
- The installation **must** conform with local codes or, in the absence of local codes, with the National Fuel Gas Code, ANSI Z223.

## Mobile or Manufactured Home Installation

- Installation **must** conform to the Manufactured Home Construction & Safety Standard, Title 24, Part 32-80 or, when such standard is not applicable, with the American National Standard for Mobile Home, ANSI/NFPA No. 501B.
- The dryer **must** be vented to the outdoors with the termination securely fastened to the mobile home’s structure. See the “Exhaust Information” section.
- The vent **must not** be terminated beneath a mobile or manufactured home.
- The vent duct material **must** be metal.
- Kit 14-D3A6-33 **must** be used to attach the dryer securely to the structure.
- The vent **must not** be connected to any other duct, vent, or chimney.
- Do **not** use sheet metal screws or other refas-

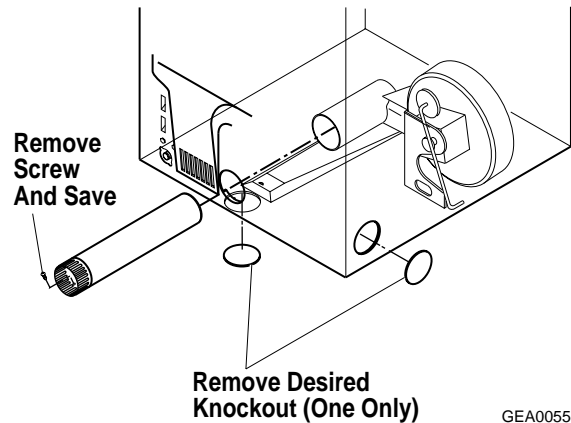
tening devices which extend into the interior of the exhaust vent.

- Provide an opening with a free area of at least 25 sq. in. to introduce outside air into the dryer room.

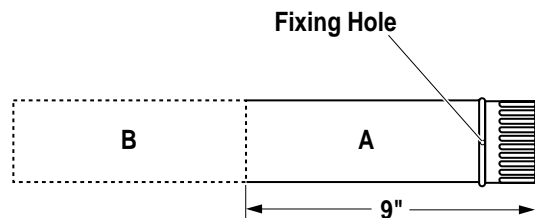
## Dryer Exhaust to Left or Bottom of Cabinet

**WARNING:** Protect your hands and arms from sharp edges when working inside the cabinet.

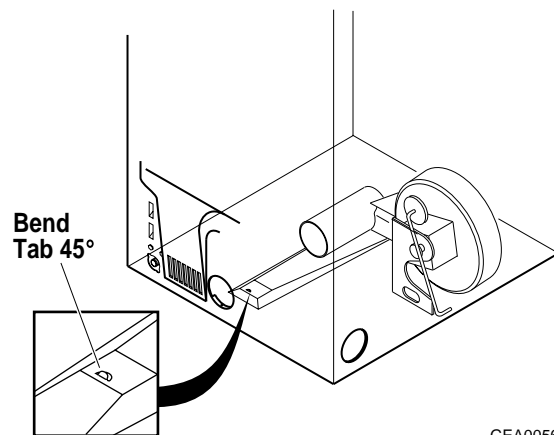
1. Detach and remove the bottom or left-side knockout as desired.



2. Remove and save the screw inside the dryer exhaust duct. Pull the duct out of the dryer.
3. Cut the duct as shown and keep portion A.

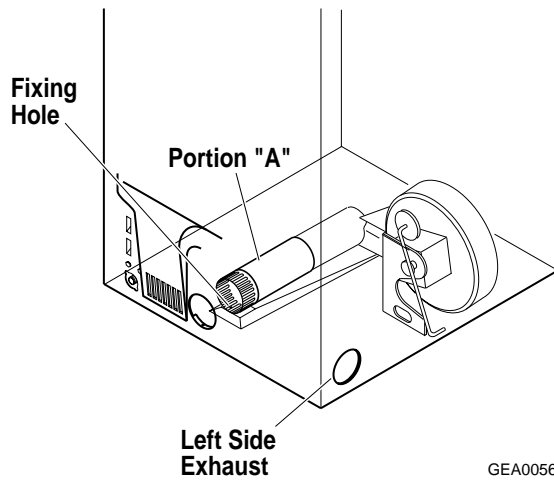


4. Through the rear opening, locate the tab in the middle of the appliance base. Lift the tab to approximately 45° using a flat-blade screwdriver.





5. Reconnect the cut portion (A) of the duct to the blower housing. Ensure the fixing hole is aligned with the tab in the base.



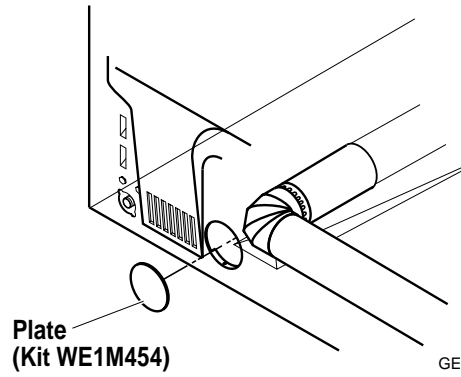
GEA00561

6. Use the previously saved screw to secure the duct in place through the tab on the the appliance base.
7. For exhaust to the side of the cabinet, insert the elbow and the duct.

8. Connect standard metal elbows and ducts to complete the exhaust system.

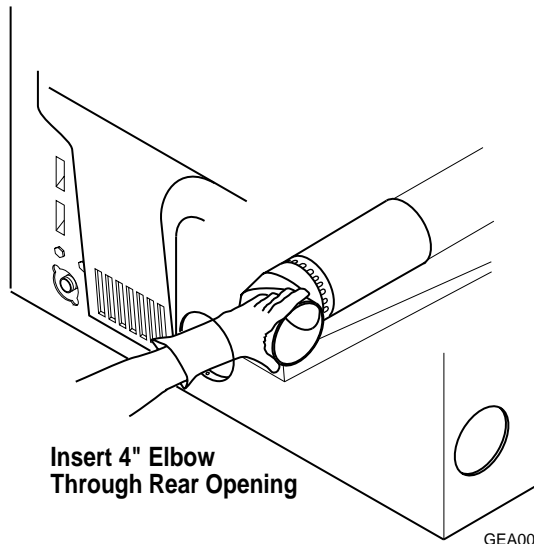
**Caution:** Never leave the rear opening uncovered. Install a cover plate.

9. Cover back opening with a plate (Kit WE1M454) that is available from your local service provider.

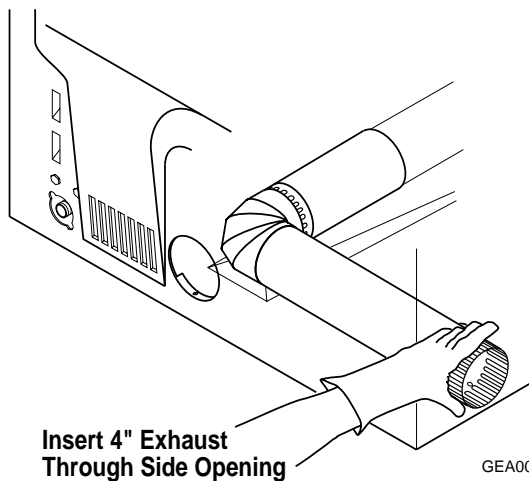


GEA00564

10. Place the dryer in its final location.



GEA00562



GEA00563

# Operating Characteristics

**Note:** Not all models have the same features. Your model may vary from those discussed in this manual.

## Basic Dryer Operation

The L3 Dryer contains both sensor dry and timed dry options.

- The six *SENSOR DRY cycles* dry clothes to a desired dryness level as measured by the rod voltage signal. Each cycle's settings control the heated dry time and specific cooldown time. At the end of cooldown, the machine stops the drying operation and signals the end of the cycle.
- During *TIMED DRY cycles*, the dryer tumble-dries the load for the specified time, including extended tumble time (if selected). At the end of the selected time, the dryer ceases to tumble and heat the clothes, and signals the end of the cycle.

**Note:** Only one sensor or timed dry cycle can be selected at any time. A new cycle selection will override the previous one.

## One Touch Sensor Dry Cycles

Cottons, Mixed Loads, Easy Care/Perm Press, Knits/Sweaters, and Delicates

These buttons use predetermined dryness levels (either Dry or Less Dry) and temperatures (Extra Low to High/[Regular]) to dry clothes. The **Sensor Dry** LED is ON until the end of the cooldown period.

The cycles proceed as follows:

- Pressing a cycle button will cause the display to show the default numbers for that cycle.
- Once the user presses the **Start/Pause** button, the display begins the normal countdown, and the **Sensor Dry** LED turns ON.
- When the default minimum time for the selected cycle is reached, the display enters Variable Speed Racetrack mode and the **Sensing** LED begins to flash. Four speed levels are available; the speed will be determined by the sensor rod

voltage signal.

- When the load reaches the Damp threshold, the dryer calculates the required remaining time to dry the load to the specified dryness level. The estimated remaining time appears in the display, the countdown resumes, and the **Sensing** LED turns OFF. The countdown continues until the end of the cycle, including cooldown time.
- At the end of the cycle, the unit stops drying, the **Sensor Dry** LED turns OFF, the display reads "00," and the **Clean Lint Filter** LED turns ON.
- The display and **Clean Lint Filter** LED turn OFF when the user 1) opens the door, 2) presses **Stop/Cancel**, or 3) starts another cycle selection.

## Speed Dry

When the **Speed Dry** button is pushed, the letters "SP" appear in the digital display. When the user presses **Start/Pause**, the display enters Variable Speed Racetrack mode until the Damp threshold is calculated, then it shows "SP" for the entire cycle.

## One Touch Timed Dry Cycles

DRYEL™, Dewrinkle, and Air Dry

These buttons use Medium or (for Air Dry) no heat and a specified time period to tumble and dry loads. The DRYEL™ cycle runs for 30 minutes, Dewrinkle runs for 20 minutes, and Air Dry runs for 10 minutes.

The **Timed Dry** LED turns ON until the end of the cycle (including cooldown), then the **Clean Lint Filter** LED turns ON as described earlier.

## DRYEL™ System

DRYEL™ helps "dry clean only" clothes look and smell clean and fresh. While not a complete dry cleaning system, DRYEL™ uses a perfumed pad and nylon bag to eliminate odors (such as smoke and perspiration) and wrinkles from clothes. The DRYEL™ kit, available in retail stores, also includes a spot remover for removing small stains.

**Caution:** Using any other bag with the DRYEL™ system may damage the clothes or the L3 Dryer.

Due to the DRYEL™ pad, clothes may be damp when the dryer cycle is completed; this is normal.

**Note:** DRYEL™ is not a replacement for professional dry cleaning. Fabrics with large or heavy stains may not come clean using this system. Also, this system will not press clothes.

## Custom Cycles

**Custom Cycle** buttons allow the consumer to create two additional One Touch Dry Cycles. These cycles can be either *Sensor Dry* or *Timed Dry*, and can include any dryness level, time period, heat setting, or option desired.

## Dryness Levels

**Note: Dryness Level** buttons are locked out for One Touch Timed Dry Cycles.

Four dryness levels, including More Dry, Dry, Less Dry, and Damp, are available. When a **Dryness Level** button is pushed, no other button is affected with one exception. When a **Dryness Level** button is pushed after a One Touch Timed Dry Cycle button or the **Antibacterial** button has been selected, the new dryness setting appears in the display, and the time matrix is updated. However, the heater setting does **not** change; default heater settings will be performed.

## Timed Dry Only

When any **Timed Dry Only** button is pushed, the cycle defaults to a Medium heat setting and no specific Dryness Level.

The **Timed Dry** LED turns ON until the end of the cycle (including cooldown), then the **Clean Lint Filter** LED turns ON as described earlier.

## Heat Setting

(High/[Regular], Medium, Low, and Extra Low)

**Note: Heat Setting** buttons are locked out for the Air Dry cycle.

When any **Heat Setting** button is pushed, that option will be selected. No other button will be affected with one exception. When a **Heat Setting** button is pushed after the Knits/Sweaters, Delicates, Dryel, Dewrinkle, or Antibacterial cycle has been selected, the new temperature setting appears in the display and the time matrix is

updated. However, heater settings do **not** change; default heater settings will be performed.

## Start/Pause

When this button is pushed either for the first time or after the **Stop/Cancel** button is pushed, the display defaults to the last cycle run and the **Start/Pause** button's LED light flashes 0.5 seconds ON and 0.5 seconds OFF, indicating "Action Needed to Start."

If the button is pushed after a cycle is selected, the machine starts per the selected cycle and options unless the door is open. If the door is open, the button flashes and no action occurs.

On initial power-up, either from the factory or after a power outage, pressing the **Start/Pause** button displays the default settings for the Cotton Sensor Dry cycle.

If the button is pushed in midcycle, the unit enters Pause mode. Drying operation stops and the **Start/Pause** button's LED flashes. Pressing the button again resumes drying operations.

## Stop/Cancel

Pushing this button deactivates all selections, and all LEDs turn OFF. If the machine is running when this button is pushed, the machine turns OFF.

## Idle Mode

The idle mode has no LEDs or relays lit; the control is waiting for the consumer to touch a keypad or switch.

## Power Outage

In the event of a power outage, and the dryer is in idle mode, press any key except **Stop/Cancel** to set the dryer in the Cotton Sensor Dry cycle. Change options as needed.

## Options

### Beeper

Activating this option allows the beeper to sound (two short tones followed by a long tone) at the end of a cycle. The beeper signals every 2 minutes up to four times unless the door is opened,

the beeper is deactivated, or the **Stop/Cancel** button is pressed.

When the **Beeper** button is pushed during a deactivated state, the beeper turns ON at high volume, the LED on the **Beeper** button turns ON, and the beeper sounds. Pushing the **Beeper** button again deactivates the option and turns OFF the LED light.

#### Extend Tumble

Pushing the **Extend Tumble** button activates the option; pushing the button a second time deactivates the option. The **Extended Tumble** LED is ON during the extended tumble care portion of the cycle.

#### Add Time

Pushing the **Add Time** button once adds 10 minutes to the current cycle's drying time. If the button is pushed after the **Stop/Cancel** button, a default 10-minute dry cycle activates at Medium heat.

#### Antibacterial

**Note:** Use this option only with the Cottons or Mixed Loads cycles. Do **not** use this cycle for delicate fabrics.

Pushing the **Antibacterial** button adds high heat to a portion of the current drying cycle. The **Timed Dry** LED remains ON until the end of the cycle, at which time the **Clean Lint Filter** LED turns ON.

#### **Commercial Dryer**

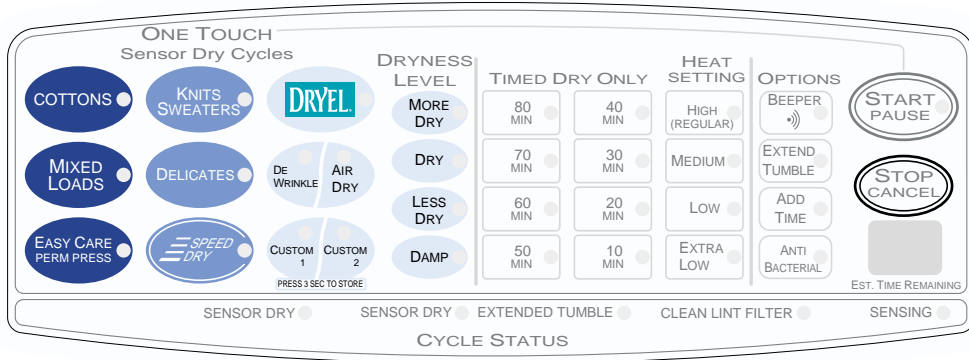
The commercial dryer uses the keypad model control design. It has fewer keypad options and is designed for apartment or commercial noncoin applications.



# Electronic Controls

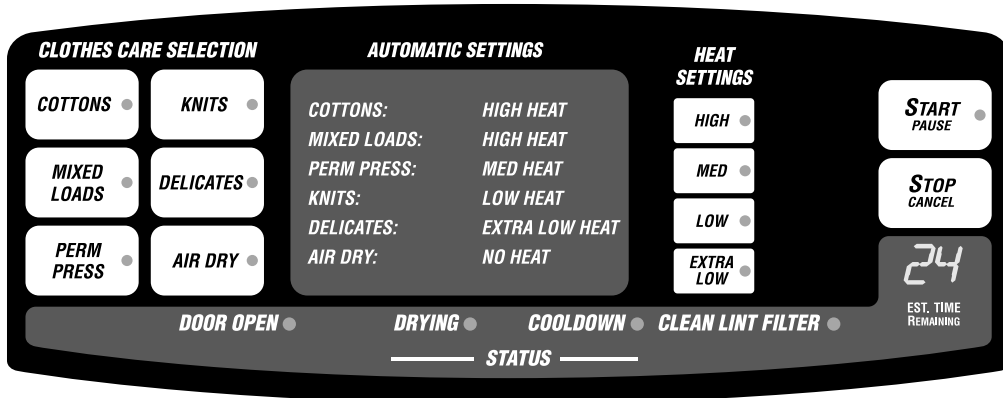
The L3 dryer offers the convenience of starting your wash loads with easy one touch cycles. One simple selection automatically sets your **Dryness Level** and **Heat Setting**. Then just press **Start**.

## Model Type 592



GEA00567

## Commercial Model Type 450



GEA00566

### Description

A keypad electronic dryer control has replaced the electronic/rotary selection control to improve ease of use and serviceability.

The L3 electronic control consists of a printed circuit board, a transformer, and housing.

### Estimated Time Remaining

When a cycle is chosen, the Dual Seven Segment Display (DSSD) displays an estimated time for the drying cycle.

The default numbers initially displayed for Sensor Dry cycles will change based on the previous cycle run. The display will show the selected time for the Timed Dry cycle; 30 minutes for the Dryel cycle; 20 minutes for the Dewrinkle cycle; and 10 minutes for the Air Dry cycle.

## Field Service Mode

To enter the Field Service Mode, disconnect then reconnect the electrical power at the wall outlet. Within 30 seconds, simultaneously press and hold the **Cottons** and **Start/Pause** buttons for 3 seconds. The unit will start and run, but continue to hold the buttons until the diagnostics mode is entered. As soon as the test cycle is entered, the Dual Seven Segment Display (DSSD) displays, in sequence, the letters **Fd** (Field Service Diagnostics), **EL** or **GA** (for electric or gas dryer type), and the EEPROM version number. Wait for the DSSD to turn OFF before proceeding with testing.

To index to the next test position, press the **Mixed Loads** button. To return to the previous test position, press the **Easy Care/Perm Press** button. The following tables give the functions for the subsequent positions.

### Test Sequence, Electric Dryer

Position	DSSD Output	Function
0 - Initial	Fd	Field Diagnostic Mode
0 - Initial	EL	Electric
0 - Initial	#	EEPROM Version Number
1	E0	Thermistor, No Error
1	E1	Thermistor Error or Board
2	S0	Rods, Open Circuit*, Normal
2	E2	Rods, Circuit Problem*, Shorted
3	Sn	Motor Switches ON
4	H1	Heater 1 Turns ON, Outer
5	H2	Heater 2 Turns ON (1 OFF), Inner
6	d0	Door Open (dC = Door Closed)

\* See Rods Table

**Thermistor Check:** **E0** displays if no error is in thermistor circuit. If an error exists, **E1** displays. To verify thermistor, a resistance range of 100K ohms +/- 10% @ 77 °F should be found between pins 5 and 6 of female connector CN4 at the right side of the transformer.

**Sensor Rods Check:** **S0** displays if sensor rods are open circuit. If a problem exists, **E2** displays. Touch sensor rod with your hand for 20 seconds. **SS** displays if capacitor is discharging properly.

**Motor Check:** Motor switches ON and DSSD displays **Sn**.

**Heater 1 Check:** Turns ON heater 1 and displays **H1**.

**Heater 2 Check:** Turns ON heater 2 and displays **H2**.

**Door Status Check:** Displays **d0** for door open or **dC** for door closed.

### Test Sequence, Gas Dryer

Position	DSSD Output	Function
0 - Initial	Fd	Field Diagnostic Mode
0 - Initial	GA	Gas
0 - Initial	#	EEPROM Version Number
2	S0	Rods, Open Circuit*, Normal
2	E2	Rods, Circuit Problem*, Shorted
3	Sn	Motor Switches ON
4	1n	Igniter Turns ON
5	2n	Ultra Care Relay Turns ON
6	d0	Door Open (dC = Door Closed)

\* See Rods Table

**Sensor Rods Check:** **S0** displays if sensor rods are open circuit. If a problem exists, **E2** displays. Touch sensor rod with your hand for 20 seconds. **SS** displays if capacitor is discharging properly.

**Motor Check:** Motor switches ON and DSSD displays **Sn**.

**Igniter Check:** Turns ON igniter and displays **1n**.

**Ultra Care Check:** Turns ON Ultra Care relay and displays **2n**.

**Door Status Check:** Displays **d0** for door open or **dC** for door closed.

## Sensor Rod Circuit Description

The moisture-sensing rods are part of a circuit that is designed to utilize a low-voltage capacitor that charges to 5 V when the circuit is open, and discharges to 1 V when the circuit is shorted. The gap in the circuit is the space between the rods. When the wet clothes touch the two rods, they create a short, which discharges the capacitor. When the clothes become dry, they cannot short the circuit and the charge across the capacitor builds to 5 V. A voltage of 1 V across the capacitor read by the PCB indicates wet clothes. As the clothes are dried, the voltage increases, and finally 5 V across the capacitor indicate completely dry clothes.

In the diagnostics mode, a code of **S0** indicates a normally open circuit (the capacitor is charged properly). The code **E2** indicates a shorted capacitor or some other problem on the board. To check the discharging of the capacitor, touch the rods with your hands, shorting the two rods for at least 5 seconds. The **S0** will change to **SS**, indicating that the capacitor discharged properly. No change from **S0** indicates that either the rods are not connected to the board or there is some other problem on the board.

**Note:** If you want to repeat the test, wait for at least 45 seconds to fully charge the capacitor.

## Sensor Rods Table

DSSD Output	Diagnosis
S0 to SS	No Fault (Rods OK)
E2 to SS	Capacitor Leaks
E2 to E2	Not Connected to Circuit

The Field Service Mode can be exited in three ways:

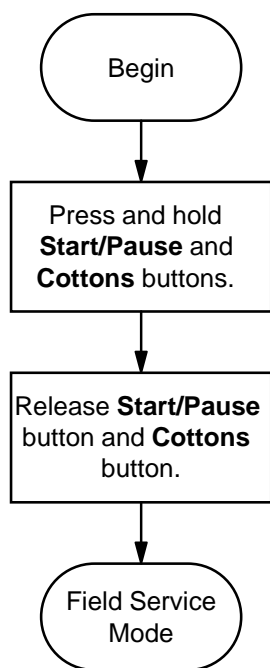
1. Press the **Stop/Cancel** keypad.
2. Unplug the unit.
3. Control automatically exits test mode after 30 minutes.

## Checking Power to the PCB

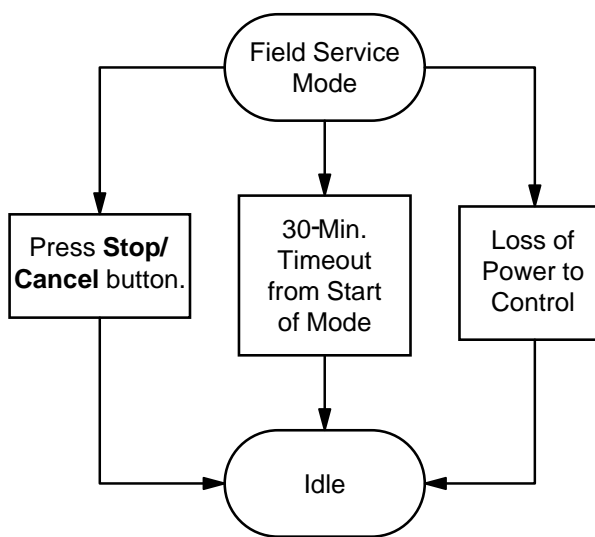
To check the presence of 240 V at the board, put the dryer in Air Dry cycle (the motor will run with no heat).

- If the outer heating element is OK, there will be 240 V between tap 16 (L2 through coil) and tap 8 (L1).
- If the inner heating element is OK, there will be 240 V between tap 10 (L2 through coil) and tap 8 (L1).

### To Enter Field Service Diagnostic Mode



### To Exit Field Service Diagnostic Mode



GEA00535

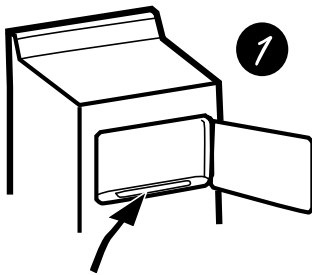


# Control Settings

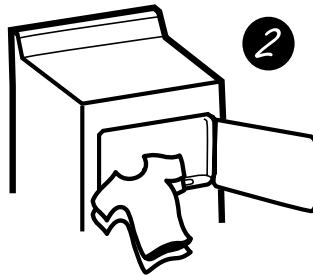
## Easy ONE TOUCH Cycles.

Your new dryer offers the convenience of starting your dryer loads with our easy **ONE TOUCH** cycles. Make one simple selection, and your **DRYNESS LEVEL** and **HEAT SETTING** are automatically set. Then all you have to do is press **START**.

### ONE TOUCH Quick Start Guide



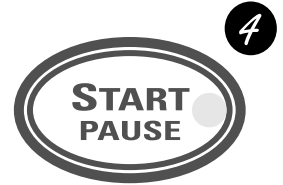
- Clean lint filter



- Add clothes



- Select dry cycle
- Check dryness level
- Check heat setting

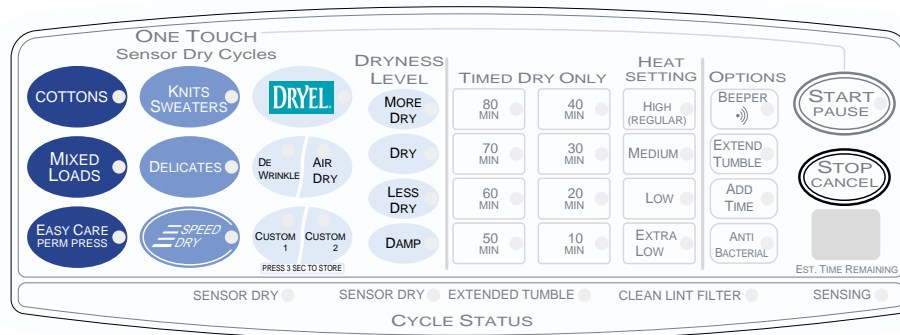


- Close door
- Push **START**

## Dryer control panel.

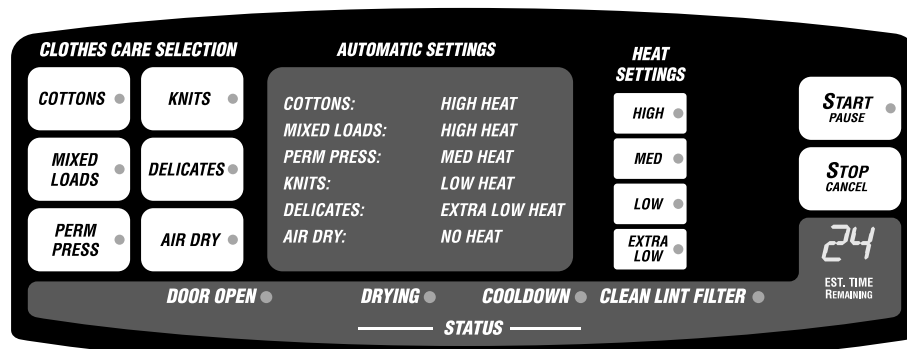
You can locate your model number on the label on the front of the dryer, behind the door.

### Model Type 592



GEA00567

### Commercial Model Type 450



GEA00566

## ONE TOUCH selections.

**ONE TOUCH** cycles use the **Sensor Dry** feature, which continuously monitors the amount of moisture in the load and stops the dryer when the clothes are dry.

**PRESS...**

**AUTOMATICALLY SELECTS...**

**THEN PRESS...**



*For cottons and most linens.*

**DRYNESS  
LEVEL**



**HEAT  
SETTING**



*For loads consisting of cottons and poly-blends.*



*For wrinkle-free and permanent press items.*



*For knits and sweaters with fabric care labels that say "Machine Dry".*



*For lingerie and special care fabrics.*



*For small loads that are needed in a hurry, such as sport or school uniforms. Can also be used if the previous cycle left some items damp, such as collars or waistbands.*



**NOTE:** During **SPEED DRY** you will see:



## Changing the automatic settings.

You can change any of the automatic settings by simply pressing the desired pads.

## About drying cycles.

---



### **DRYEL™ (on some models)**

This feature is designed for use with the DRYEL™ “dry clean only” fabric care system. See product package for directions.

For questions or issues related to the use and performance of DRYEL™, call 1-800-214-8913, or visit the DRYEL™ website at [www.dryel.com](http://www.dryel.com).

Automatic **DRYEL™** settings:



### **DEWRINKLE**

Use this feature to remove wrinkles from items that are dry or slightly damp.

Automatic **DEWRINKLE** settings:



### **AIR DRY**

Use this feature to tumble items without heat.

Automatic **AIR DRY** settings:



### **CUSTOM 1 and CUSTOM 2 (on some models)**

Set up your favorite combination of settings and save them here for one-touch recall. These custom settings can be set while a cycle is in progress.

#### **To store a custom combination of settings:**

1. Select a **ONE TOUCH** setting.
2. Change **DRYNESS LEVEL** and **HEAT SETTING** to fit your needs.
3. Select any drying **OPTIONS** you want.
4. Press and hold the **CUSTOM 1** or **CUSTOM 2** pad for three seconds to store your selection. A beep will sound and the pad will light up.

#### **To recall your stored combination:**

Press the **CUSTOM 1** or **CUSTOM 2** pad, then press **START/PAUSE**.

#### **To reprogram the CUSTOM settings:**

**Repeat steps 1-4 above.**

## About dryness levels.

---

MORE DRY

### **MORE DRY**

Use for heavy-duty fabrics.

DRY

### **DRY**

Use for a normal dryness level suitable for most loads. This is the preferred cycle for energy saving.

LESS DRY

### **LESS DRY**

Use for lighter fabrics.

DAMP

### **DAMP**

For leaving items partially damp.

## About timed dry only cycles.

---

### TIMED DRY ONLY

80 MIN

40 MIN

70 MIN

30 MIN

60 MIN

20 MIN

50 MIN

10 MIN

### **To use TIMED DRY ONLY:**

1. Select the drying time.
2. Select the **HEAT SETTING**.
3. Select any **OPTIONS**. (**NOTE:** The **ANTI BACTERIAL** option is not available with **TIMED DRY ONLY** cycles.)
4. Close door.
5. Push **START**.

## About heat settings.

---

HIGH (REGULAR)

### **HIGH (Regular)**

For regular to heavy cottons.

MEDIUM

### **MEDIUM**

For synthetics, blends and items labeled permanent press.

LOW

### **LOW**

For delicates, synthetics and items labeled *Tumble Dry Low*.

EXTRA LOW

### **EXTRA LOW**

For lingerie and special-care fabrics.

## About controls features.

---



### **START/PAUSE**

- Press twice to select the last cycle you used and start the dryer.
- If you have selected a new cycle, press once to start the cycle.
- If the dryer is running, press once to interrupt the cycle; press again to continue the cycle.



### **STOP/CANCEL**

- This pad should *not* be used to interrupt or pause a cycle.
- Pressing this pad will cancel the current settings and the settings will be lost.



EST. TIME REMAINING  
"Racetrack lights"

### **Estimated Time Remaining**

Each time the dryer is used, it "learns" what types of loads you dry most often. It takes this data and determines the approximate time it will take the load to dry.

As the cycle begins, you will see the approximate total cycle time in the display. Then "racetrack lights" will flash in the display, in a clockwise direction, and the **SENSING** light will flash. This means the dryer is continuously monitoring the amount of moisture in the load. The racetrack lights will continue until the dryer senses a low level of moisture in the load. At that point, the dryer will calculate and display the approximate time remaining.

## About cycle options.

---



### **BEEPER**

Alerts you that the cycle is complete. The beeper will continue to sound every two minutes for the next 6 minutes, until the clothes are removed. The clothes should be removed when the beeper goes off so wrinkles won't set in.

---



### **EXTEND TUMBLE**

Minimizes wrinkles by adding approximately 20 minutes of no-heat tumbling after clothes are dry. The beeper will sound every 90 seconds to remind you to remove the clothes. The **EST. TIME REMAINING** display will show **00**.

---



### **ADD TIME**

This option can be used to extend drying time at the end of any cycle. 10 minutes is added each time the pad is pressed.

---



### **ANTI BACTERIAL** (on some models)

This option can only be used with the **COTTONS** or **MIXED LOADS** cycles. This option reduces certain types of bacteria by 99.9%, including: *Staphylococcus aureus*, *Pseudomonas aeruginosa*, and *Klebsiella pneumoniae*\*. The anti-bacterial process occurs when high heat is used during a portion of the drying cycle.

**NOTE:** Do not use this cycle on **delicate** fabrics.

\* The Anti-Bacterial Cycle is Certified by NSF International (formerly National Sanitation Foundation) to NSF Protocol *P9 Sanitization Performance of Residential Clothes Dryers*.



NSF Protocol P9  
Sanitization Performance of  
Residential Clothes Dryers

# About cycle status.

---

These cycle status indicator lights display what part of the cycle the dryer is in and remind you to clean the lint filter.

SENSOR DRY ●

TIMED DRY ●

EXTENDED TUMBLE ●

CLEAN LINT FILTER ●

SENSING ●

---

## **SENSOR DRY**

SENSOR DRY ●

This light comes on when a **ONE TOUCH Sensor Dry Cycle** is selected.

---

## **TIMED DRY**

TIMED DRY ●

This light comes on when **AIR DRY, DEWRINKLE, DRYEL** (on some models) or **TIMED DRY ONLY** is selected.

---

## **EXTENDED TUMBLE**

EXTENDED TUMBLE ●

This light comes on when the **EXTEND TUMBLE** option is selected.

---

## **CLEAN LINT FILTER**

CLEAN LINT FILTER ●

This light is a reminder to clean the lint filter. It comes on at the end of a cycle and goes off when the door is opened.

---

## **SENSING**

SENSING ●



EST. TIME REMAINING

*"Racetrack lights"*

Sensor Dry Cycles provide greater drying accuracy than standard machines, resulting in shorter dry times and better clothes care. The **SENSING** light will flash and "racetrack lights" will flash in the display while the dryer is monitoring the amount of moisture remaining in the clothes. When the **SENSING** light goes out, the dryer will calculate and display the approximate time remaining.

# Removal and Replacement

## Remove Electronic Control Board

1. Remove 4 screws from the top of the backsplash and rotate the top forward.
2. Tag and remove 11 electrical connections.

**Note:** Remove and retain the model selector harness plug for reassembly.

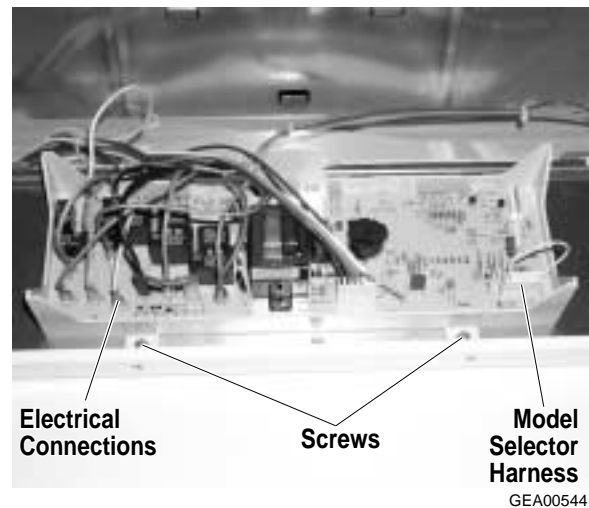
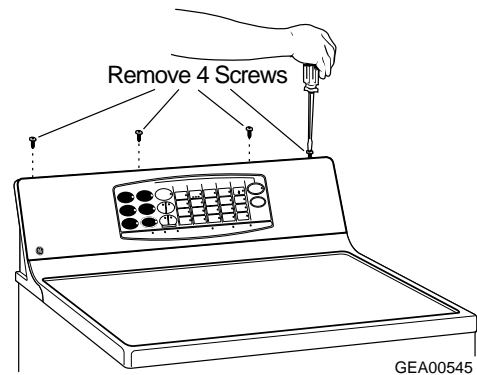
3. Remove 2 screws (1/4-in.) from the control board.

**Caution:** To prevent electrostatic discharge, ground yourself to the dryer cabinet, or use an ESD wristband.

4. Remove the electronic control board.

**Note:** When reassembling, align the LEDs with the appropriate control panel indicators.

5. Reverse the above procedure to reinstall.





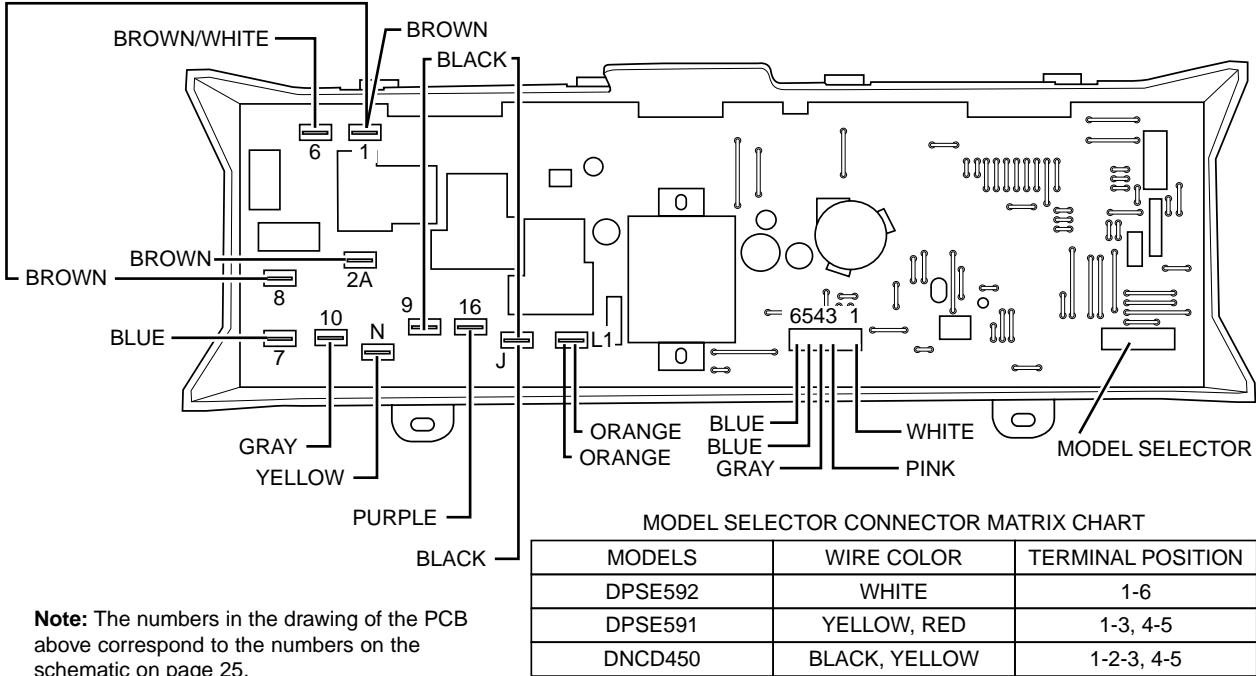


# Schematics

## WARNING

POWER MUST BE DISCONNECTED BEFORE SERVICING THE APPLIANCE.

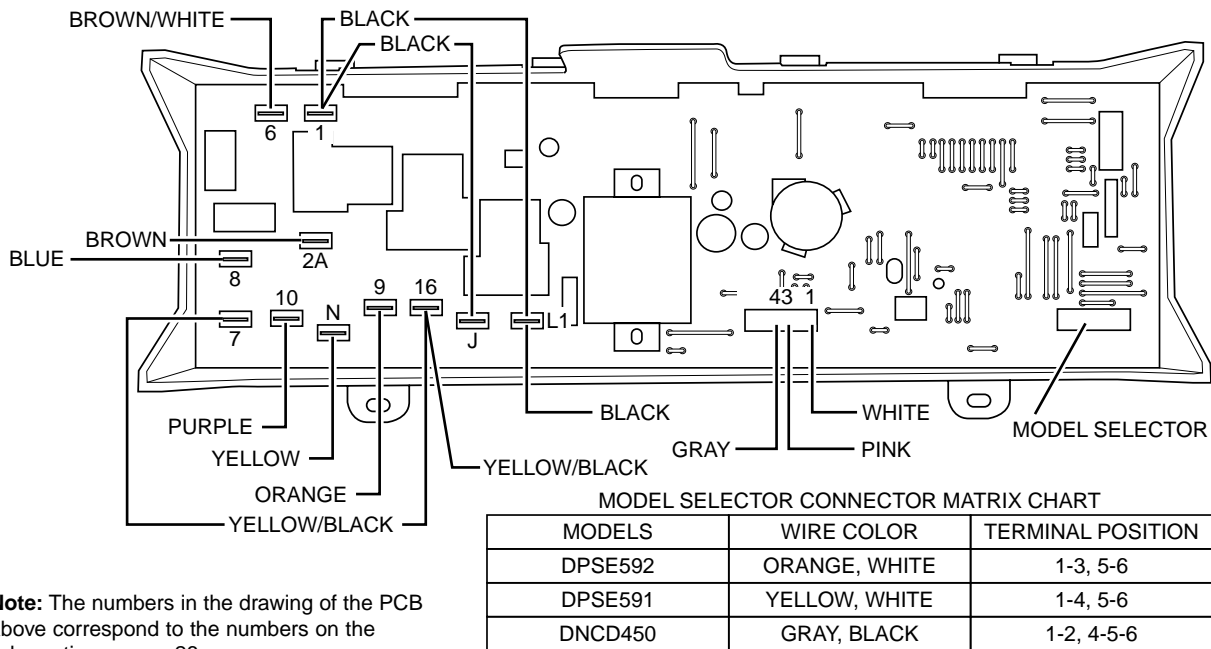
### Terminal Layout on PCB, Electric Model DPSE592EA0



GEA00573

**Note:** The numbers in the drawing of the PCB above correspond to the numbers on the schematic on page 25.

### Terminal Layout on PCB, Gas Model DPSE592GA0



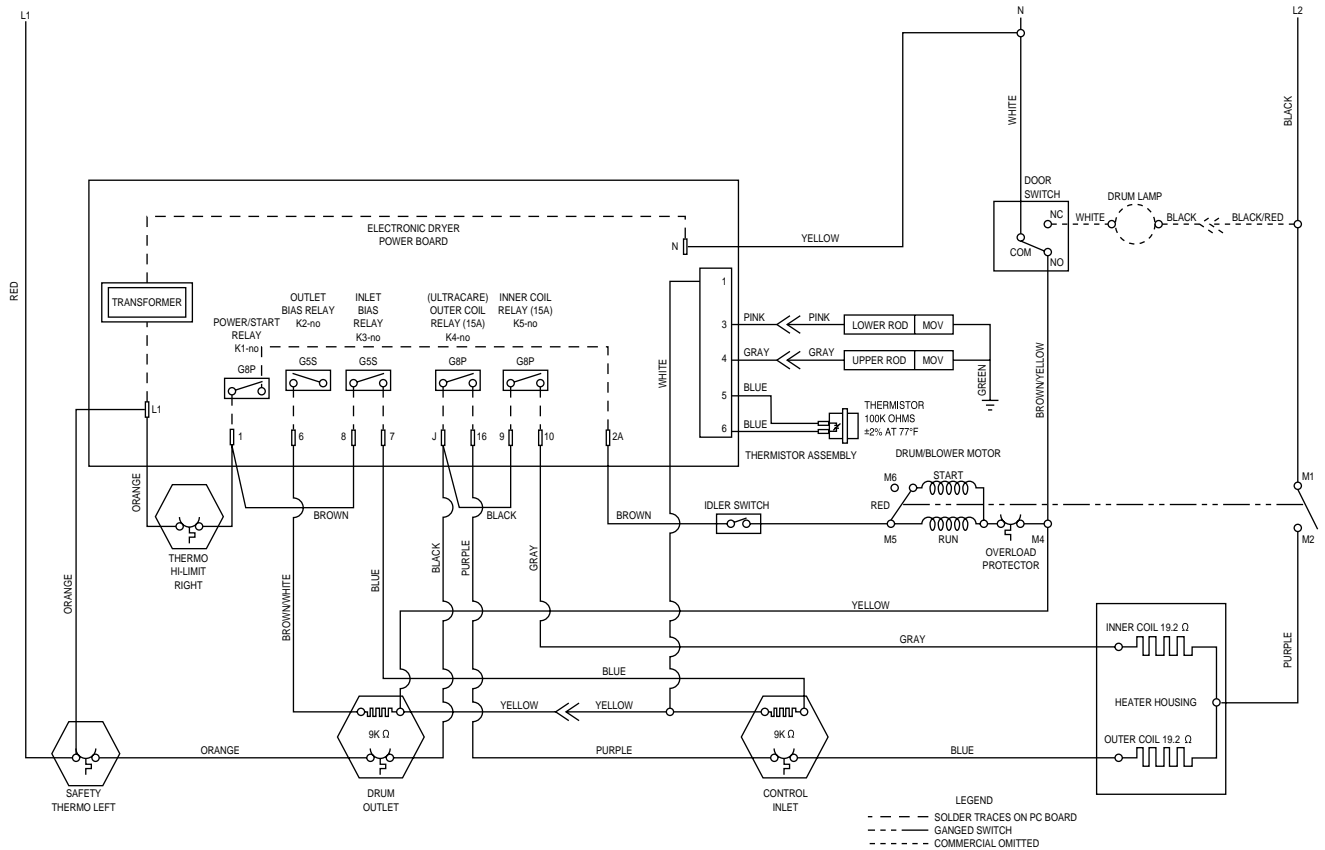
GEA00572

**Note:** The numbers in the drawing of the PCB above correspond to the numbers on the schematic on page 26.

Refer to microfiche for specific model information.

## L3 Dryer - Electric Model

**Caution:** Label all wires prior to disconnection when servicing the controls. Wiring errors can cause improper and dangerous operation. Verify proper operation after servicing.



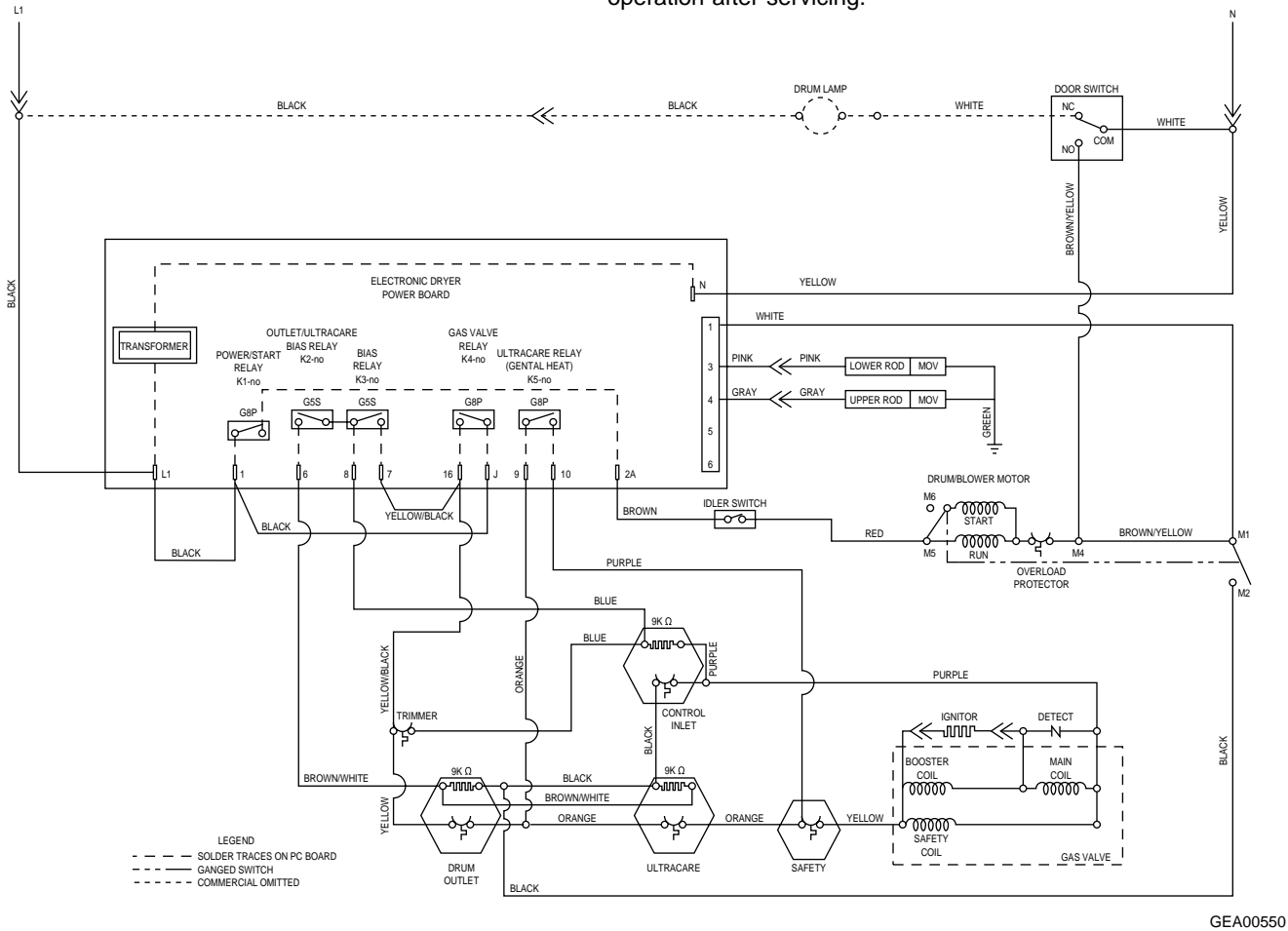
GEA00552

**Note:** See schematic for proper switch connections.

1. Heater coil resistance is shown on the wiring schematic. Check for infinite resistance between any heater terminal and dryer cabinet. Heater failure could result from low airflow caused by improper sealing, kinked or excessive ducting, or excessive line voltage.
2. Other factors contributing to long dry times or clothes conditions include load size, number of large or bulky items, ambient temperature, room size (if not exhausted outdoors), wetness of clothes, and washer rinse temperature.
3. Small loads (less than 3 lb) may develop static, causing clothes to cling to the drum surface (no tumble) and resulting in wrinkles, shrinkage, or melting. Use a fabric softener in the washer or dryer, or add two large bath towels to act as a buffer when drying.

## L3 Dryer - Gas Model

**Caution:** Label all wires prior to disconnection when servicing the controls. Wiring errors can cause improper and dangerous operation. Verify proper operation after servicing.



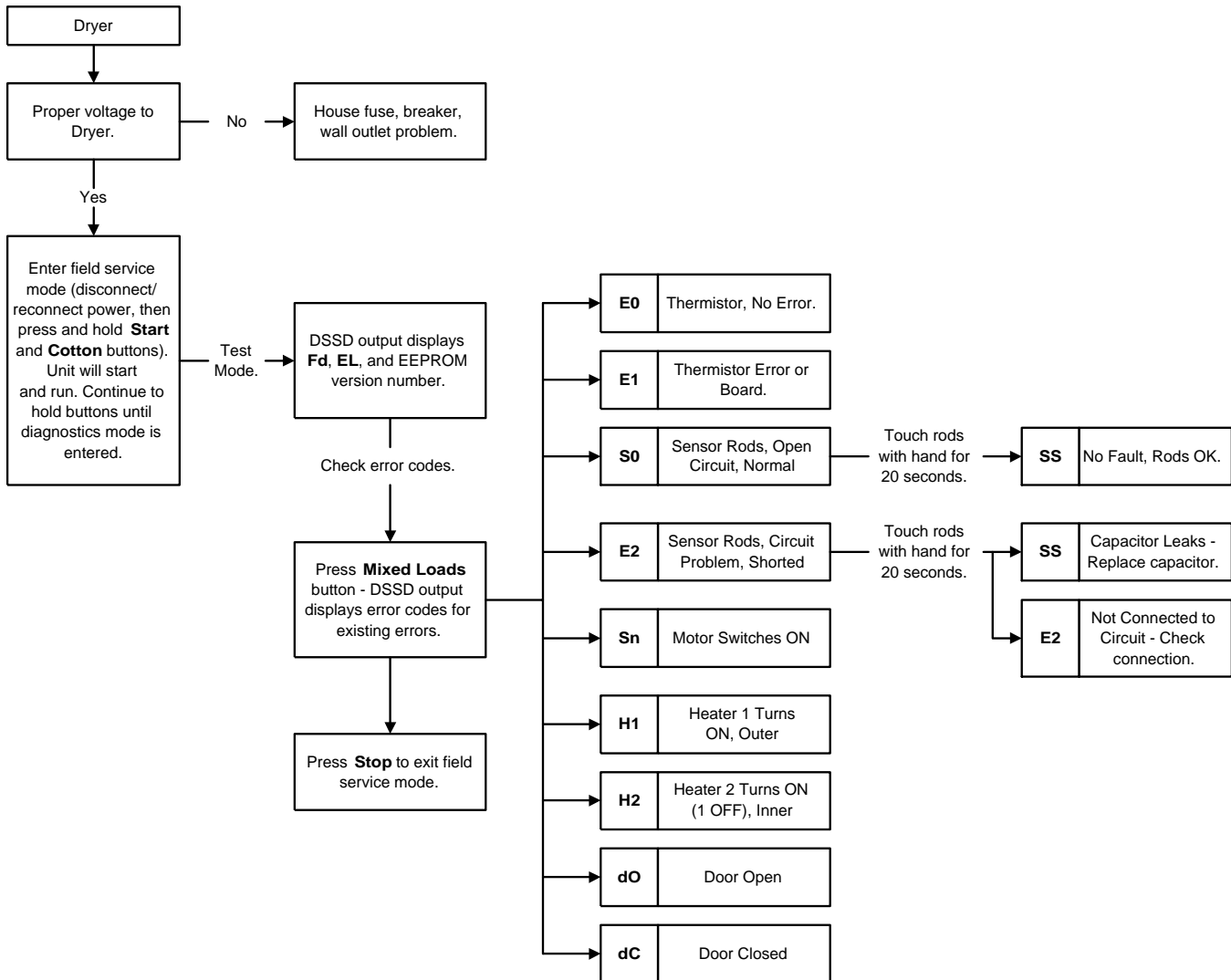
**Note:** See schematic for proper switch connections.

1. Other factors contributing to long dry times or clothes conditions include load size, number of large or bulky items, ambient temperature, room size (if not exhausted outdoors), wetness of clothes, and washer rinse temperature.
2. Small loads (less than 3 lb) may develop static, causing clothes to cling to the drum surface (no tumble) and resulting in wrinkles, shrinkage, or melting. Use a fabric softener in the washer or dryer, or add two large bath towels to act as a buffer when drying.

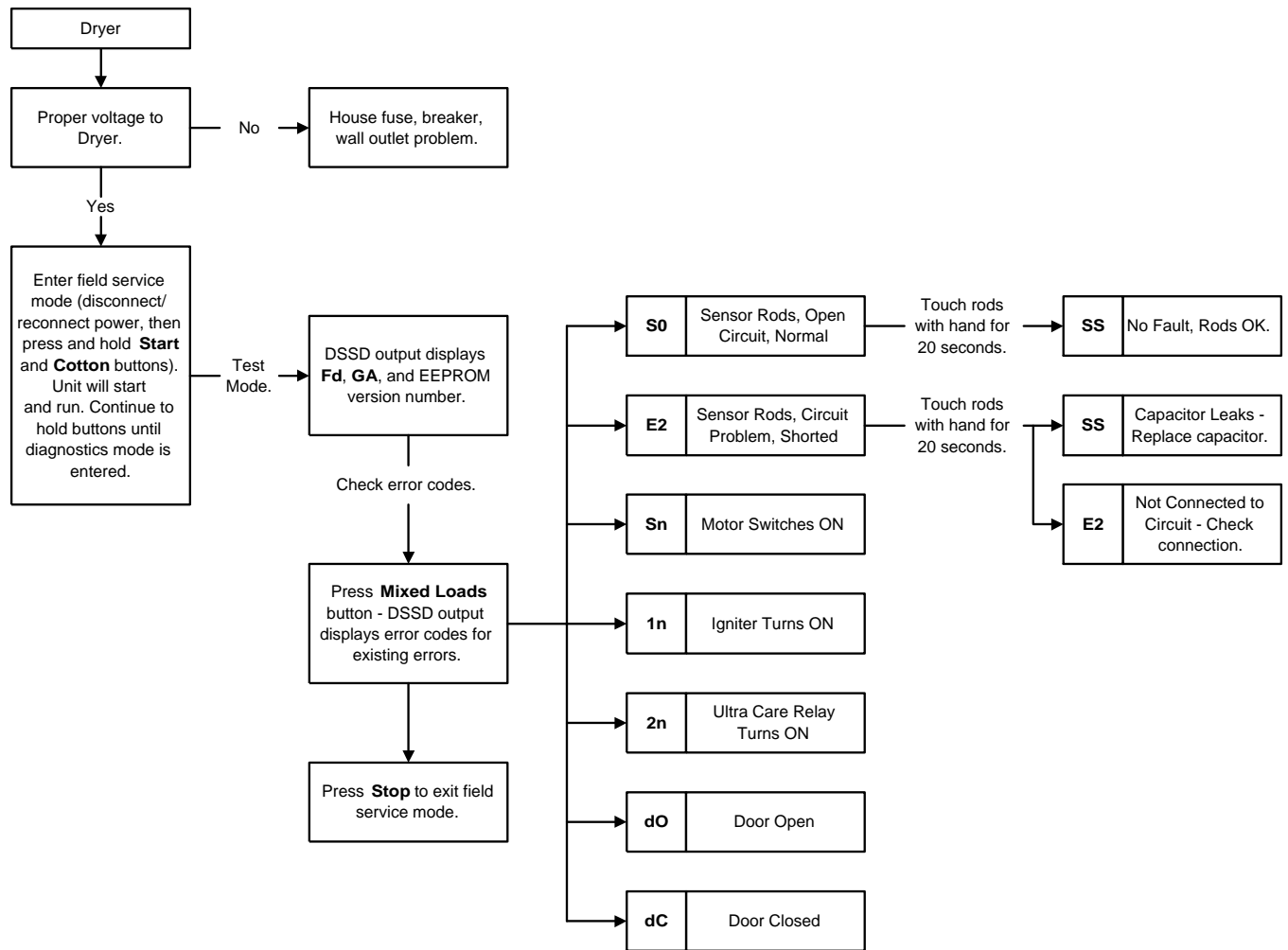


# Troubleshooting Flowcharts

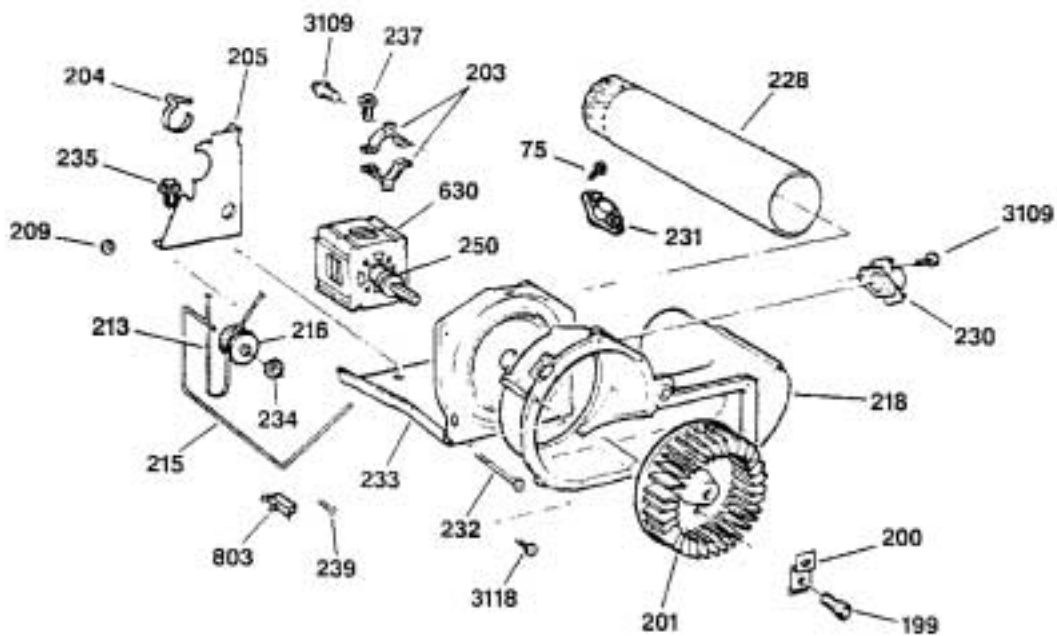
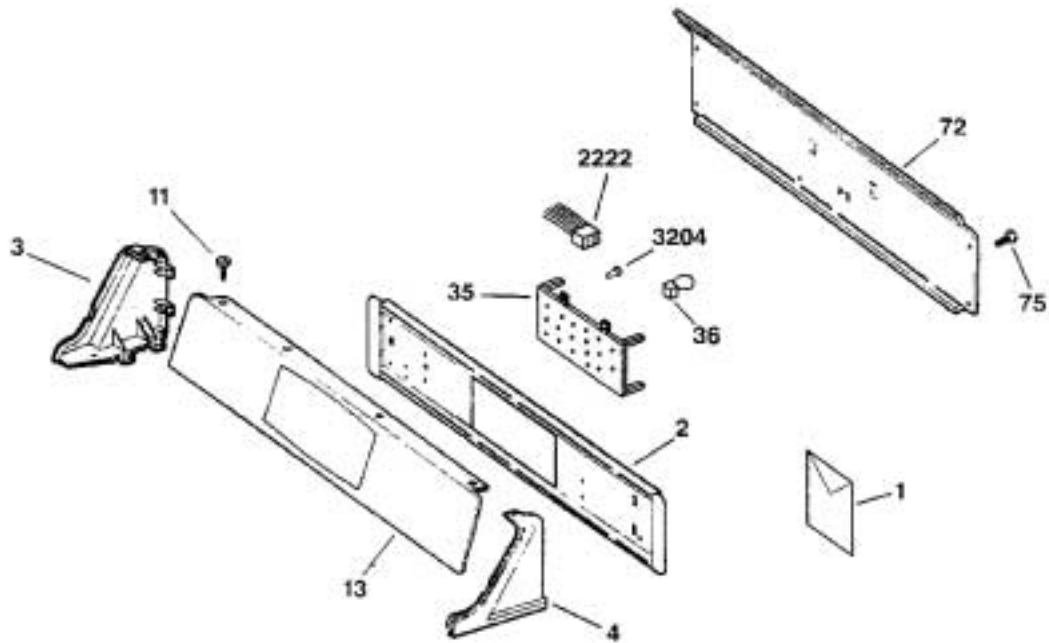
## L3 Dryer - Electric Model



# L3 Dryer - Gas Model



## Illustrated Parts Breakdown

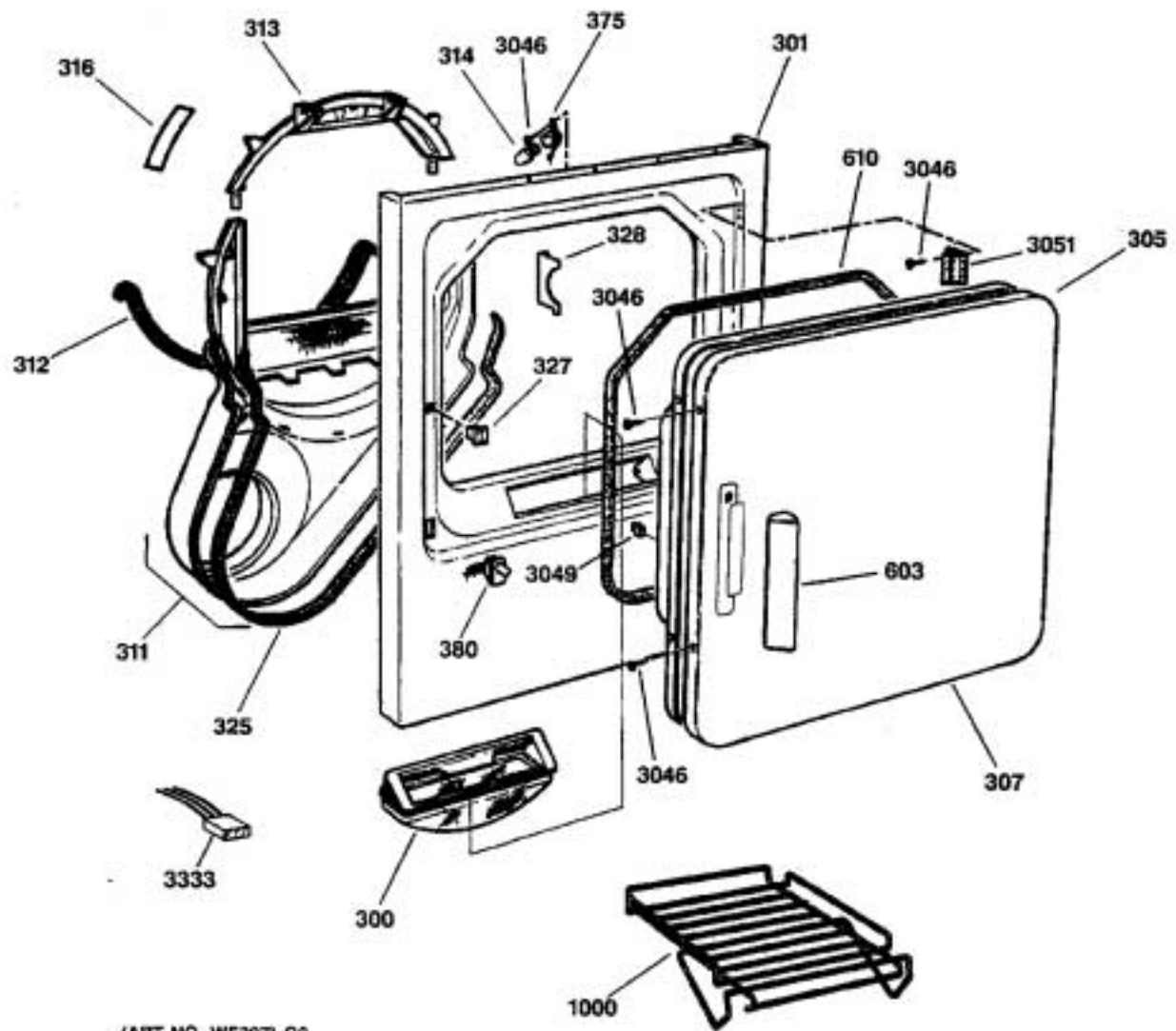


Exploded parts views and list for Model DPSE592EA0.  
Refer to microfiche for specific model information.



REF. NO.	PART NO.	PART DESCRIPTION	
0001	49-90051	MANUAL USE & CARE	1
	31-16025	MINI MANUAL	1
	31-16023	INSTALL INSTRUCTIONS	1
0002	WH46X10055	SUPPORT SWITCH	1
0003	WE19M940	END CAP LH WH	1
0004	WE19M941	END CAP RH WH	1
0011	WH02X1206	SCR8-18 AB FLT 5/8 SN WH	4
0013	WE19M1170	CONTROL PANEL ASSY WH	-
	WE19M1172	CONTROL PANEL ASSY AD	1
0035	WE4M274	ELECTRONIC BOARD	1
0036	WD21X10026	HARNESS	1
0072	WE20X0811	PANEL BACK	1
0075	WE02M0173	SCREW	11
0199	WE02X0280	SCR 14-10 A HX 1 S	1
0200	WE01X0688	CLAMP	1
0201	WE16X0030	BLOWER WHEEL	1
0203	WE13X0182	STRAP MOTOR	2
0204	WE01X0921	STRAP MOTOR	1
0205	WE13M0022	BRACKET MOTOR	1
0209	WE02M0165	SPEEDNUT	2
0213	WE12M0022	BELT DRIVE	1
0215	WE03M0017	SPRING IDLER	1
0216	WE12M0008	PULLEY IDLER	1
0218	WE14M89	HOUSING BLOWER	1
0228	WE14M90	ELBOW EXHAUST	1
0230	WE04M216	THERMOSTAT DRUM OUTLET	1
0231	WE4M275	THERMISTOR	1
0232	WE02M0156	SCREW	2
0233	WE13M0025	BRACKET MOTOR	1
0234	WE02M0096	CAP NUT	1
0235	WE02M0155	SCREW	2
0237	WE02M0148	SCREW	2
0239	WE02M0167	SCREW	1
0250	WE12X0041	PULLEY DRIVE	1
0630	WE17M0022	MOTOR PULLEY ASM	1
0803	WD21X0557	SWITCH INTERLOCK	1
2222	WE5M9	CONTROL HARNESS	1
3109	WE02M0154	SCREW	2
3118	WH02M0342	SCREW	6
3204	WH02M0270	SCREW	4

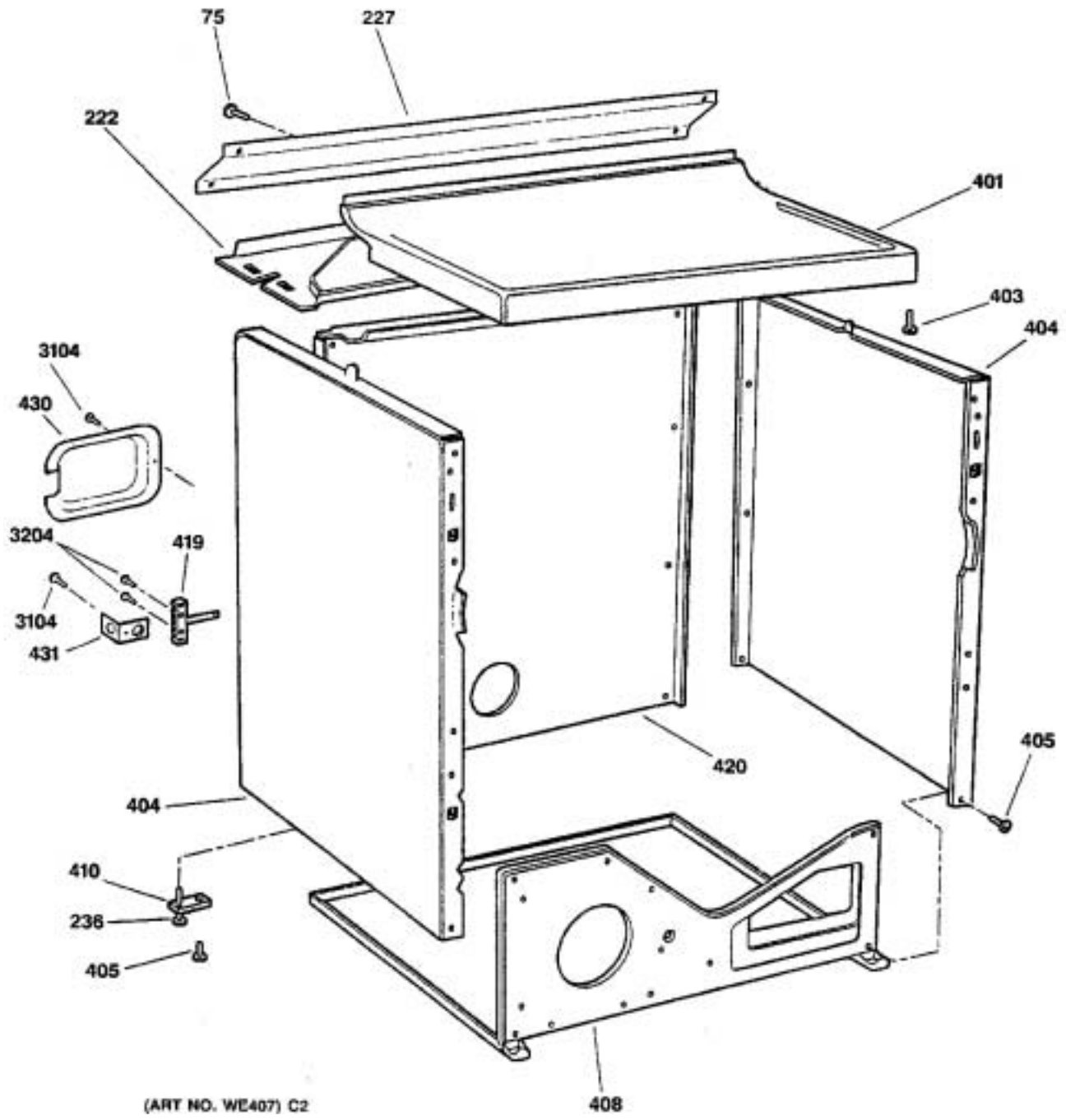
Exploded parts views and list for Model DPSE592EA0.  
Refer to microfiche for specific model information.



Exploded parts views and list for Model DPSE592EA0.  
Refer to microfiche for specific model information.

REF. NO.	PART NO.	PART DESCRIPTION	
0300	WE18M0019	TRAP LINT	1
0301	WE20M0254	CABINET FRONT WH	1
	WE01M0400	PLATE DAMPENING CAB FRNT	1
0305	WE10M0092	PANEL DOOR INNER WH	1
0307	WE10M102	PANEL DOOR OUTER WH	1
0311	WE14M0079	DUCT AIR W/SENSOR	1
0312	WE09M0015	FELT	1
0313	WE03M0020	BEARING DRUM	1
0314	WE04X0718	LAMP	1
0316	WE01M0333	SLIDE DRUM (WH)	2
	WE01M0316	SLIDE DRUM (BLUE)	2
0325	WE01M0376	GASKET	1
0327	WE01X0903	LATCH	2
0328	WE1M449	SHIELD DOOR SWITCH	1
0375	WE05M0005	SOCKET ASM	1
0380	WE4M157	SWITCH DOOR	1
0603	WE01X1188	HANDLE DOOR WH	1
0610	WE09M0013	GASKET DOOR	1
1000	WE01M0396	RACK DRYING	1
3046	WE02M0153	SCREW	16
3049	WE01M0314	STRIKE	1
3051	WE01M0394	HINGE DOOR	2
3333	WE5M11	HARNES SENSOR RODS	1

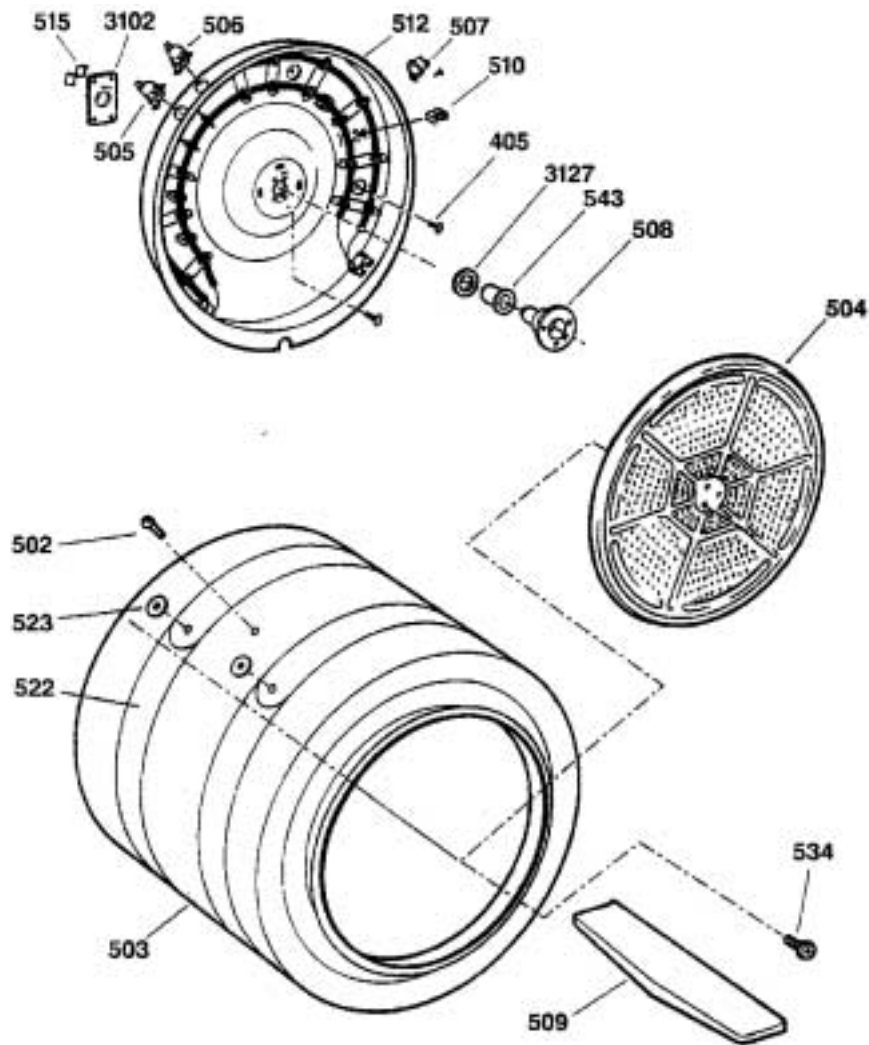
Exploded parts views and list for Model DPSE592EA0.  
Refer to microfiche for specific model information.



Exploded parts views and list for Model DPSE592EA0.  
 Refer to microfiche for specific model information.

REF. NO.	PART NO.	PART DESCRIPTION	
0075	WE02M0173	SCREW	11
0222	WE20M0253	COVER BOTTOM	1
0227	WE13M0026	SHIELD	1
0236	WE01M0368	LEVELLING SCREW	4
0401	WE01M0401	PLATE DAMPENING TOP CVR	1
	WE20M0286	TOP COVER WH	1
0403	WE02M0160	SCREW	2
0404	WE20M0260	PANEL SIDE WH	1
	WE4M411	DAMPENING PLATE SIDE	2
0405	WH02M0388	SCREW	10
0408	WE20M293	BASE CABINET	1
0410	WE1M468	BRKT LVL SCREW REAR	2
	WE1M467	BRKT LVL SCREW FRNT	2
0419	WE4M266	TERM BLOCK & GRND STRAP	1
0420	WE20M300	PANEL REAR 7 CU FT	1
0430	WE1M458	T-BLOCK COVER	1
0431	WE1M457	STRAIN RELIEF BRACKET	1
3104	WE01M0280	SCREW	10
3204	WH02M0270	SCREW	4

Exploded parts views and list for Model DPSE592EA0.  
Refer to microfiche for specific model information.



REF. NO.	PART NO.	PART DESCRIPTION	
0405	WH02M0388	SCREW	10
0502	WE02M0174	SCREW	9
0503	WE21M16	DRUM ASM W/DAMP BAND	1
0504	WE14M0077	DEFLECTOR HEAT	1
0505	WE04M0160	THERMOSTAT SAFETY LEFT	1
0506	WE4M0181	THERMOSTAT BIAS CTR INLE	1
0507	WE04M0137	THERMOSTAT HI-LIMIT	1
0508	WE03X0039	SHAFT BRACKET ASM	1
0509	WE14M0075	BAFFLE DRUM	3
0510	WE1M452	COIL SUPPORTS	4
0512	WE11M23	HEATER HSNG ASM	1
0515	WE01X1172	GROUND STRAP ASM	1
0522	WE1M433	DAMPENING BAND-DRUM	2
0523	WE2M185	WASHER - DAMPENING BAND	6
0534	WE02M0163	SCREW	3
0543	WE03M0015	SLEEVE BEARING	1
3102	WE01M0300	RETAINER BEARING	1
3127	WE02X0195	WASHER	1

Exploded parts views and list for Model DPSE592EA0.  
Refer to microfiche for specific model information.

## Quiz

- How do you get into the Field Service Mode for the Wizard Dryer?
  - Press & hold "Start/Pause" button for 3 seconds
  - Press & hold "DeWrinkle/Air Dry" buttons for 3 seconds
  - Press & hold "Mixed Loads" & "Start/Pause" buttons together for 3 seconds
  - Press & hold "Start/Pause" button, then press & hold "Cottons" button for 3 seconds within 30 seconds of power on
  - None of the above
- What function does Step 3 indicate in the Field Service Mode for the Wizard Dryer?
  - Thermistor check
  - Sensor rods check
  - Motor check
  - Heater 1 check
  - Heater 2 check
- The "Dryel" feature of the Wizard Dryer allows customers to actually dry clean their garments. T or F
- An "E1" code for the Wizard Dryer signifies that the thermistor is either open or shorted. T or F
- There is no "Model Selection Plug" for the Wizard Dryer. T or F
- To check the rod sensors, you can place your fingers across the rods and you should measure 5 VDC at the control board 6-pin plug #5 & #6. T or F
- The thermistor should read approximately 100K ohms at room temperature. T or F
- During a medium heat cycle, which bias contacts are activated?
  - Outlet bias
  - Inlet bias
  - Outlet & inlet bias
  - None of the above
- What voltage is applied to the bias heater when active?
  - 12 VDC
  - 14 VDC
  - 120 VAC
  - 0 VAC
  - 0 VDC
- Which components are activated during the Field Service Mode for the Wizard Electric Dryer?
  - Thermistor, motor, heater 1, and heater 2
  - Motor, heater 1, heater 2, and drum light
  - Motor, heater 1, and heater 2
  - Motor, igniter, and ultra-care relay

