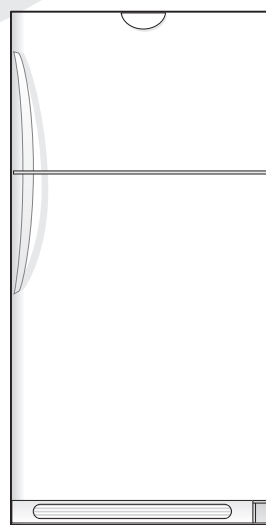
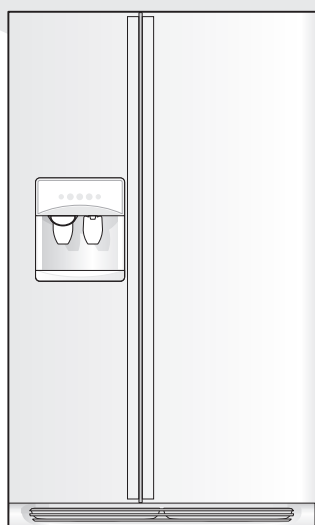




Product Information and Technical Guide

*Side by Side and Top Mount Refrigerators
July 2003 - December 2003*



Frigidaire

TAPPAN[®]

Gibson[®]

W White-Westinghouse[®]

TABLE OF CONTENTS

Safe Servicing Practices	2
Service Data Sheet, Refrigerant Charge & Energy Efficiency Rating Indexes	3 - 9
Troubleshooting Guide	10 - 14
Appendix A - Service Data Sheets	
240379010	A1 - A2
240379011	A3 - A4
240379012	A5 - A6
240379013	A7 - A8
240389610	A9 - A10
240389611	A11 - A12
240389612	A13 - A14
240389613	A15 - A16
240389614	A17 - A18
240389015	A19 - A20
241532600	A21 - A22

SAFE SERVICING PRACTICES - ALL APPLIANCES

To avoid personal injury and/or property damage, it is important that **Safe Servicing Practices** be observed. The following are some limited examples of safe practices:

1. **DO NOT** attempt a product repair if you have any doubts as to your ability to complete it in a safe and satisfactory manner.
2. Before servicing or moving an appliance:
 - Remove the power cord from the electrical outlet, trip the circuit breaker to the OFF position, or remove the fuse.
 - Turn off the gas supply.
 - Turn off the water supply.
3. Never interfere with the proper operation of any safety device.
4. **USE ONLY REPLACEMENT PARTS CATALOGED FOR THIS APPLIANCE. SUBSTITUTIONS MAY DEFEAT COMPLIANCE WITH SAFETY STANDARDS SET FOR HOME APPLIANCES.**
5. **GROUNDING:** The standard color coding for safety ground wires is **GREEN**, or **GREEN with YELLOW STRIPES**. Ground leads are not to be used as current carrying conductors. It is **EXTREMELY** important that the service technician reestablish all safety grounds prior to completion of service. Failure to do so will create a hazard.
6. Prior to returning the product to service, ensure that:
 - All electrical connections are correct and secure
 - All electrical leads are properly dressed and secured away from sharp edges, high-temperature components, and moving parts
 - All non-insulated electrical terminals, connectors, heaters, etc. are adequately spaced away from all metal parts and panels
 - All safety grounds (both internal and external) are correctly and securely connected
 - All panels are properly and securely reassembled

ATTENTION!!!

This service manual is intended for use by persons having electrical and mechanical training and a level of knowledge of these subjects generally considered acceptable in the appliance repair trade. Electrolux Home Products, Inc. cannot be responsible, nor assume any liability, for injury or damage of any kind arising from the use of this manual.

Model	Service Data Sheet	Charge	Energy Efficiency Rating	Brand
E23CS75DSS0	241532600	5.75	687	Electrolux
FRS23BH5CQ1	240389613	5	617	Frigidaire
FRS23BH5CW1	240389613	5	617	Frigidaire
FRS23BH6CB1	240389613	5	617	Frigidaire
FRS23BH6CS1	240389613	5	617	Frigidaire
FRS23F4CB2	240389612	5	686	Frigidaire
FRS23F4CB3	240389613	5	686	Frigidaire
FRS23F4CQ2	240389612	5	686	Frigidaire
FRS23F4CQ3	240389613	5	686	Frigidaire
FRS23F4CW2	240389612	5	686	Frigidaire
FRS23F4CW3	240389613	5	686	Frigidaire
FRS23H5ASB8	240389613	5	617	Frigidaire
FRS23H7CB1	240389613	5	617	Frigidaire
FRS23H7CQ1	240389613	5	617	Frigidaire
FRS23H7CSB1	240389613	5	617	Frigidaire
FRS23H7CW1	240389613	5	617	Frigidaire
FRS23KF5CB2	240389612	5	686	Frigidaire
FRS23KF5CB3	240389613	5	686	Frigidaire
FRS23KF5CQ2	240389612	5	686	Frigidaire
FRS23KF5CQ3	240389613	5	686	Frigidaire
FRS23KF5CS0	240389613	5	686	Frigidaire
FRS23KF5CW2	240389612	5	686	Frigidaire
FRS23KF5CW3	240389613	5	686	Frigidaire
FRS23KF6CB1	240389613	5	617	Frigidaire
FRS23KF6CQ1	240389613	5	617	Frigidaire
FRS23KF6CW1	240389613	5	617	Frigidaire
FRS23R4CB2	240389612	5	686	Frigidaire
FRS23R4CB3	240389613	5	686	Frigidaire
FRS23R4CQ2	240389612	5	686	Frigidaire
FRS23R4CQ3	240389613	5	686	Frigidaire
FRS23R4CW2	240389612	5	686	Frigidaire
FRS23R4CW3	240389613	5	686	Frigidaire
FRS23W3AQ9	240389612	5	686	Frigidaire
FRS23W3AW9	240389612	5	686	Frigidaire
FRS26BH5CQ2	240389613	5.25	654	Frigidaire
FRS26BH5CW2	240389613	5.25	654	Frigidaire
FRS26BH6CB1	240389613	5.25	654	Frigidaire
FRS26BH6CB2	240389613	5.25	654	Frigidaire
FRS26BH6CB3	240389614	5.25	654	Frigidaire
FRS26BH6CS3	240389614	5.25	654	Frigidaire
FRS26BH6CW2	240389613	5.25	654	Frigidaire
FRS26BH6CW3	240389613	5.25	654	Frigidaire
FRS26F4CB1	240389613	5.25	727	Frigidaire
FRS26F4CQ1	240389613	5.25	727	Frigidaire
FRS26F4CW1	240389613	5.25	727	Frigidaire
FRS26H5ASB6	240389610	5.25	654	Frigidaire
FRS26H5ASB7	240389613	5.25	654	Frigidaire
FRS26H5ASB8	240389613	5.25	654	Frigidaire
FRS26H7CB1	240389613	5.25	654	Frigidaire
FRS26H7CB2	240389613	5.25	654	Frigidaire
FRS26H7CB3	240389614	5.25	654	Frigidaire
FRS26H7CQ1	240389613	5.25	654	Frigidaire

Model	Service Data Sheet	Charge	Energy Efficiency Rating	Brand
FRS26H7CQ2	240389613	5.25	654	Frigidaire
FRS26H7CQ3	240389614	5.25	654	Frigidaire
FRS26H7CSB1	240389613	5.25	654	Frigidaire
FRS26H7CSB2	240389613	5.25	654	Frigidaire
FRS26H7CSB3	240389614	5.25	654	Frigidaire
FRS26H7CW1	240389613	5.25	654	Frigidaire
FRS26H7CW2	240389613	5.25	654	Frigidaire
FRS26H7CW3	240389614	5.25	654	Frigidaire
FRS26HF6BB3	240389613	5.25	654	Frigidaire
FRS26HF6BB4	240389613	5.25	654	Frigidaire
FRS26HF6BQ3	240389613	5.25	654	Frigidaire
FRS26HF6BQ4	240389613	5.25	654	Frigidaire
FRS26HF6BW3	240389613	5.25	654	Frigidaire
FRS26HF6BW4	240389613	5.25	654	Frigidaire
FRS26HF7BB3	240389613	5.25	654	Frigidaire
FRS26HF7BB4	240389613	5.25	654	Frigidaire
FRS26HF7BQ3	240389613	5.25	654	Frigidaire
FRS26HF7BQ4	240389613	5.25	654	Frigidaire
FRS26HF7BW3	240389613	5.25	654	Frigidaire
FRS26HF7BW4	240389613	5.25	654	Frigidaire
FRS26KF5CB1	240389613	5.25	727	Frigidaire
FRS26KF5CQ1	240389613	5.25	727	Frigidaire
FRS26KF5CW1	240389613	5.25	727	Frigidaire
FRS26KF6CB1	240389611	5.25	654	Frigidaire
FRS26KF6CB2	240389613	5.25	654	Frigidaire
FRS26KF6CB3	240389614	5.25	654	Frigidaire
FRS26KF6CQ1	240389611	5.25	654	Frigidaire
FRS26KF6CQ2	240389613	5.25	654	Frigidaire
FRS26KF6CQ3	240389614	5.25	654	Frigidaire
FRS26KF6CW1	240389611	5.25	654	Frigidaire
FRS26KF6CW2	240389613	5.25	654	Frigidaire
FRS26KF6CW3	240389614	5.25	654	Frigidaire
FRS26KR4CB1	240389613	5.25	727	Frigidaire
FRS26KR4CQ1	240389613	5.25	727	Frigidaire
FRS26KR4CW1	240389613	5.25	727	Frigidaire
FRS26LF8CB0	240389614	5.25	654	Frigidaire
FRS26LF8CQ0	240389614	5.25	617	Frigidaire
FRS26LF8CS0	240389614	5.25	654	Frigidaire
FRS26LF8CW0	240389614	5.25	654	Frigidaire
FRS26LR5CB0	240389615	5.25	727	Frigidaire
FRS26LR5CQ0	240389615	5.25	727	Frigidaire
FRS26LR5CW0	240389615	5.25	727	Frigidaire
FRS26R2AQ6	240389613	5.25	727	Frigidaire
FRS26R2AW6	240389613	5.25	727	Frigidaire
FRS26R4CB1	240389613	5.25	727	Frigidaire
FRS26R4CQ1	240389613	5.25	727	Frigidaire
FRS26R4CW1	240389613	5.25	727	Frigidaire
FRS26RBCW1	240389613	5.25	727	Frigidaire
FRS26RLECS0	240389613	5.25	727	Frigidaire
FRS26W2AW7	240389613	5.25	727	Frigidaire
FRS26W2BSB5	240389613	5.25	727	Frigidaire
FRT14A2AW3	240379011	4.5	440	Frigidaire

Model	Service Data Sheet	Charge	Energy Efficiency Rating	Brand
FRT14A2AZ3	240379011	4.5	440	Frigidaire
FRT15B1BW1	240379011	4.5	443	Frigidaire
FRT15B3AQ4	240379011	4.5	443	Frigidaire
FRT15B3AT4	240379011	4.5	443	Frigidaire
FRT15B3AW4	240379011	4.5	443	Frigidaire
FRT15B3AZ4	240379011	4.5	443	Frigidaire
FRT15G4BQ2	240379011	4.5	443	Frigidaire
FRT15G4BW2	240379011	4.5	443	Frigidaire
FRT15G5CSB1	240379011	4.5	443	Frigidaire
FRT15G5CSK1	240379011	4.5	443	Frigidaire
FRT15HB3AQ5	240379011	4.25	398	Frigidaire
FRT15HB3AW5	240379011	4.25	398	Frigidaire
FRT15HB3AZ5	240379011	4.25	398	Frigidaire
FRT17A2AQ3	240379011	4.5	460	Frigidaire
FRT17A2AW3	240379011	4.5	460	Frigidaire
FRT17A2AZ3	240379011	4.5	460	Frigidaire
FRT17B3AQ4	240379011	4.5	460	Frigidaire
FRT17B3AT4	240379011	4.5	460	Frigidaire
FRT17B3AW4	240379011	4.5	460	Frigidaire
FRT17B3AZ4	240379011	4.5	460	Frigidaire
FRT17G4BD2	240379011	4.5	460	Frigidaire
FRT17G4BQ2	240379011	4.5	460	Frigidaire
FRT17G4BW2	240379011	4.5	460	Frigidaire
FRT17HB3CW1	240379010	4.5	460	Frigidaire
FRT18B1BW2	240379011	4.5	479	Frigidaire
FRT18B4AQ8	240379011	4.5	479	Frigidaire
FRT18B4AT8	240379011	4.5	479	Frigidaire
FRT18B4AW8	240379011	4.5	479	Frigidaire
FRT18B4AZ8	240379011	4.5	479	Frigidaire
FRT18B5AB9	240379012	4.25	479	Frigidaire
FRT18B5AW9	240379012	4.25	479	Frigidaire
FRT18B5AWA		4.5	479	Frigidaire
FRT18B6CB3	240379012	4.25	479	Frigidaire
FRT18G4AQB	240379011	4.5	479	Frigidaire
FRT18G4AWB	240379011	4.5	479	Frigidaire
FRT18G5AQA	240379012	4.25	479	Frigidaire
FRT18G5AWA	240379012	4.25	479	Frigidaire
FRT18G7CW2	240379011	4.5	479	Frigidaire
FRT18H6CSB2	240379011	4.25	431	Frigidaire
FRT18H6CSK2	240379011	4.25	431	Frigidaire
FRT18H7CW2	240379011	4.25	431	Frigidaire
FRT18HS6AWA	240379011	4.25	431	Frigidaire
FRT18IB4AW8	240379011	4.5	479	Frigidaire
FRT18IG4AQ8	240379011	4.5	479	Frigidaire
FRT18IG4AT8	240379011	4.5	479	Frigidaire
FRT18IG4AW8	240379011	4.5	479	Frigidaire
FRT18IG4AZ8	240379011	4.5	479	Frigidaire
FRT18KB2CW2	240379011	4.5	479	Frigidaire
FRT18KG3CW2	240379011	4.5	479	Frigidaire
FRT18LN5BQ3	240379012	4.25	479	Frigidaire
FRT18LN5BQ5	240379012	4.25	479	Frigidaire
FRT18LN5BW3	240379012	4.25	479	Frigidaire

Model	Service Data Sheet	Charge	Energy Efficiency Rating	Brand
FRT18LN5BW5	240379012	4.25	479	Frigidaire
FRT18LR7AQA	240379011	4.25	431	Frigidaire
FRT18LR7AWA	240379011	4.25	431	Frigidaire
FRT18P6BSB2	240379011	4.25	431	Frigidaire
FRT18P6BSK2	240379011	4.25	431	Frigidaire
FRT18P6CQ3	240379012	4.25	479	Frigidaire
FRT18P6CQ5	240379012	4.25	479	Frigidaire
FRT21BH8CB1	240379012	4.25	458	Frigidaire
FRT21BH8CS1	240379012	4.25	458	Frigidaire
FRT21BH8CW1	240379012	4.25	458	Frigidaire
FRT21C5AQ7	240379012	4.25	509	Frigidaire
FRT21C5AQ8	240379012	4.25	509	Frigidaire
FRT21C5AW7	240379012	4.25	509	Frigidaire
FRT21C5AW8	240379012	4.25	509	Frigidaire
FRT21FG3CQ1	240379012	4.25	509	Frigidaire
FRT21FG3CQ2	240379012	4.25	509	Frigidaire
FRT21FG3CW1	240379012	4.25	509	Frigidaire
FRT21FG3CW2	240379012	4.25	509	Frigidaire
FRT21FG4CQ2	240379012	4.25	509	Frigidaire
FRT21FG4CW2	240379012	4.25	509	Frigidaire
FRT21H7ASB4	240379012	4.25	458	Frigidaire
FRT21H7ASK3	240379012	4.25	458	Frigidaire
FRT21H8CB1	240379012	4.25	458	Frigidaire
FRT21H8CQ1	240379012	4.25	458	Frigidaire
FRT21H8CSB1	240379012	4.25	458	Frigidaire
FRT21H8CSK1	240379012	4.25	458	Frigidaire
FRT21H8CW1	240379012	4.25	458	Frigidaire
FRT21HR6AB5	240379013	4.25	458	Frigidaire
FRT21HR6AQ5	240379013	4.25	458	Frigidaire
FRT21HR6AW5	240379013	4.25	458	Frigidaire
FRT21IS6BB3	240379012	4.25	509	Frigidaire
FRT21IS6BB4	240379012	4.25	509	Frigidaire
FRT21IS6BQ3	240379012	4.25	509	Frigidaire
FRT21IS6BQ4	240379012	4.25	509	Frigidaire
FRT21IS6BW3	240379012	4.25	509	Frigidaire
FRT21IS6BW4	240379012	4.25	509	Frigidaire
FRT21KG3CQ2	240379012	4.25	509	Frigidaire
FRT21KG3CW1	240379012	4.25	509	Frigidaire
FRT21KG3CW2	240379012	4.25	509	Frigidaire
FRT21LR7AB8	240379012	4.25	458	Frigidaire
FRT21LR7AW8	240379012	4.25	458	Frigidaire
FRT21P5AB8	240379012	4.25	509	Frigidaire
FRT21P5AB9	240379012	4.25	509	Frigidaire
FRT21P5AQ8	240379012	4.25	509	Frigidaire
FRT21P5AQ9	240379012	4.25	509	Frigidaire
FRT21P5AW8	240379012	4.25	509	Frigidaire
FRT21P5AW9	240379012	4.25	509	Frigidaire
FRT21P6CQ1	240379012	4.25	509	Frigidaire
FRT21P6CQ2	240379012	4.25	509	Frigidaire
FRT21P6CSB1	240379012	4.25	509	Frigidaire
FRT21P6CSB2	240379012	4.25	509	Frigidaire
FRT21P6CSK1	240379012	4.25	509	Frigidaire

Model	Service Data Sheet	Charge	Energy Efficiency Rating	Brand
FRT21P6CSK2	240379012	4.25	509	Frigidaire
FRT21P6CW1	240379012	4.25	509	Frigidaire
FRT21P6CW2	240379012	4.25	509	Frigidaire
FRT21S6AB6	240379012	4.25	509	Frigidaire
FRT21S6AB7	240379012	4.25	509	Frigidaire
FRT21S6AQ7	240379012	4.25	509	Frigidaire
FRT21S6AW6	240379012	4.25	509	Frigidaire
FRT21S6AW7	240379012	4.25	509	Frigidaire
GLHS237ZCB1	240389613	5	617	Frigidaire
GLHS237ZCQ1	240389613	5	617	Frigidaire
GLHS237ZCW1	240389613	5	617	Frigidaire
GLHS269ZCB2	240389613	5.25	654	Frigidaire
GLHS269ZCB3	240389614	5.25	654	Frigidaire
GLHS269ZCQ2	240389613	5.25	654	Frigidaire
GLHS269ZCQ3	240389614	5.25	654	Frigidaire
GLHS269ZCW2	240389613	5.25	654	Frigidaire
GLHS269ZCW3	240389614	5.25	654	Frigidaire
GLRS237ZCB2	240389612	5	686	Frigidaire
GLRS237ZCQ2	240389612	5	686	Frigidaire
GLRS237ZCW2	240389612	5	686	Frigidaire
GLRS267ZCB1	240389613	5.25	727	Frigidaire
GLRS267ZCQ1	240389613	5.25	727	Frigidaire
GLRS267ZCW1	240389613	5.25	727	Frigidaire
GLRT184TCB3	240379012	4.25	479	Frigidaire
GLRT184TCB5	240379012	4.25	479	Frigidaire
GLRT184TCQ3	240379012	4.25	479	Frigidaire
GLRT184TCQ5	240379012	4.25	479	Frigidaire
GLRT184TCW3	240379012	4.25	479	Frigidaire
GLRT184TCW5	240379012	4.25	479	Frigidaire
GLRT214TCB1	240379012	4.25	509	Frigidaire
GLRT214TCB2	240379012	4.25	509	Frigidaire
GLRT214TCQ1	240379012	4.25	509	Frigidaire
GLRT214TCQ2	240379012	4.25	509	Frigidaire
GLRT214TCW1	240379012	4.25	509	Frigidaire
GLRT214TCW2	240379012	4.25	509	Frigidaire
GRS23R4CQ2	240379012	5	686	Gibson
GRS23R4CW2	240379012	5	686	Gibson
GRS23R4CW3	240379013	5	686	Gibson
GRS26R4CQ0	240389610	5.25	727	Gibson
GRS26R4CQ1	240389613	5.25	727	Gibson
GRS26R4CW0	240389610	5.25	727	Gibson
GRS26R4CW1	240389613	5.25	727	Gibson
GRT15B3BW2	240379011	4.5	443	Gibson
GRT17B3BQ2	240379011	4.5	443	Gibson
GRT17B3BW2	240379011	4.5	443	Gibson
GRT17G4BQ2	240379011	4.5	443	Gibson
GRT17G4BW2	240379011	4.5	443	Gibson
GRT18C6AQ9	240379012	4.25	479	Gibson
GRT18C6AW7	240379012	4.25	479	Gibson
GRT18C6AW9	240379012	4.25	479	Gibson
GRT18S6AW7	240379012	4.25	479	Gibson
GRT18S6AW9	240379012	4.25	479	Gibson

Model	Service Data Sheet	Charge	Energy Efficiency Rating	Brand
GRT21G3CQ2	240379012	4.25	509	Gibson
GRT21G3CW2	240379012	4.25	509	Gibson
GRT21S6CQ2	240379012	4.25	509	Gibson
GRT21S6CW1	240379012	4.25	509	Gibson
GRT21S6CW2	240379012	4.25	509	Gibson
GS18HTZCQ2	240379011	4.25	431	Gibson
GS18HTZCSB2	240379011	4.25	431	Gibson
GS18HTZCW2	240379011	4.25	431	Gibson
GS21HTZCB0	240379010	4.25	458	Gibson
GS21HTZCB1	240379010	4.25	458	Gibson
GS21HTZCC0	240379010	4.25	458	Gibson
GS21HTZCC1	240379010	4.25	458	Gibson
GS21HTZCK1	240379010	4.25	458	Gibson
GS21HTZCQ0	240379010	4.25	458	Gibson
GS21HTZCQ1	240379010	4.25	458	Gibson
GS21HTZCW1	240379010	4.25	458	Gibson
GS23HSZCB1	240389613	5	617	Gibson
GS23HSZCQ1	240379013	5	617	Gibson
GS23HSZCW1	240389613	5	617	Gibson
GS26HSZCB3	240389614	5.25	654	Gibson
GS26HSZCC1	240389613	5.25	654	Gibson
GS26HSZCC2	240389613	5.25	654	Gibson
GS26HSZCC3	240389614	5.25	654	Gibson
GS26HSZCC4	240389614	5.25	654	Gibson
GS26HSZCQ1	240389613	5.25	654	Gibson
GS26HSZCQ2	240389613	5.25	654	Gibson
GS26HSZCQ3	240389614	5.25	654	Gibson
GS26HSZCW2	240389613	5.25	654	Gibson
GS26HSZCW3	240389614	5.25	654	Gibson
PLHS237ZCB1	240389613	5	617	Frigidaire
PLHS239ZCB1	240389613	5	617	Frigidaire
PLHS267ZCB1	240389613	5.25	654	Frigidaire
PLHS267ZCB2	240389613	5.25	654	Frigidaire
PLHS268ZCB2	240389610	5.25	654	Frigidaire
PLHS268ZCB3	240389613	5.25	654	Frigidaire
PLHS268ZCB4	240389613	5.25	654	Frigidaire
PLHS269ZCB1	240389613	5.25	654	Frigidaire
PLHS269ZCB2	240389613	5.25	654	Frigidaire
PLHT189CSB2	240379011	4.25	431	Frigidaire
PLHT189CSK2	240379011	4.25	431	Frigidaire
PLHT219TCB3	240379012	4.25	458	Frigidaire
PLHT219TCK2	240379010	4.25	458	Frigidaire
PLHT219TCK3	240379012	4.25	458	Frigidaire
WRS23MF5AS9	240389615	5	686	White Westinghouse
WRS23MW3AQ8	240389613	5	686	White Westinghouse
WRS23MW3AW7	240389612	5	686	White Westinghouse
WRS23MW3AW8	240389613	5	686	White Westinghouse
WRS23W0AW8	240389612	5	686	White Westinghouse
WRS23W0AW9	240389615	5	686	White Westinghouse
WRS26MF5AS8	240389613	5.25	727	White Westinghouse
WRT15MG4BQ0	240379010	4.25	443	White Westinghouse
WRT15MG4BW0	240379010	4.25	443	White Westinghouse

Model	Service Data Sheet	Charge	Energy Efficiency Rating	Brand
WRT15MG4BW1	240379011	4.25	443	White Westinghouse
WRT17MG4BQ0	240379010	4.25	460	White Westinghouse
WRT17MG4BW0	240379010	4.25	460	White Westinghouse
WRT17MG4BW1	240379011	4.25	460	White Westinghouse
WRT18A0AW8	240379011	4.5	479	White Westinghouse
WRT18MP5AQ8	240379011	4.25	479	White Westinghouse
WRT18MP5AQA	240379012	4.25	479	White Westinghouse
WRT18MP5AQB	240379012	4.25	479	White Westinghouse
WRT18MP5AW8	240379011	4.25	479	White Westinghouse
WRT18MP5AWB	240379012	4.25	479	White Westinghouse
WRT21MG3AQ4	240379012	4.25	509	White Westinghouse
WRT21MG3AQ5	240379012	4.25	509	White Westinghouse
WRT21MG3AW5	240379012	4.25	509	White Westinghouse
WRT21S4AW4	240379012	4.25	509	White Westinghouse
WRT21S4AW5	240379012	4.25	509	White Westinghouse

TROUBLESHOOTING GUIDE

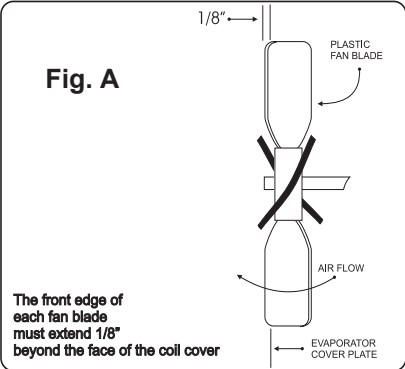
PROBLEM	CAUSE	SOLUTION
Compressor will not run.	No voltage at wall receptacle.	Check circuit breaker, fuse or GFCI (Ground Fault Circuit Interruptor - It is not recommended to connect your refrigerator to a GFCI.)
	Service cord defective or unplugged at wall receptacle.	Check service cord.
	Low voltage causing compressor to cycle on overload.	Voltage fluctuation should not exceed $\pm 10\%$ of 115 vac (104-127)
	Control thermostat knob in OFF position.	Turn control thermostat knob to ON position.
	Inoperative control thermostat.	Replace control thermostat
	Compressor stuck.	Replace compressor.
	Compressor windings open.	Replace compressor.
	Defrost timer stuck in defrost mode.	Replace defrost timer. (if equipped)
	ADC (Adaptive Defrost Control) not turning on compressor after defrost.	Replace ADC.
	Compressor overload stuck open.	Replace compressor overload. (if equipped – compressor starter relay & overload may be plugged into each other)
	Relay lead loose.	Repair or replace lead.
	Relay loose or inoperative.	Repair or replace relay. (if equipped)
	Service cord pulled out of harness.	Repair connection.
	Faulty cabinet wiring.	Repair wiring.
Compressor runs but does not cool.	System out of refrigerant.	Check for leaks. *
	Compressor not pumping.	Replace compressor. *
	Restricted filter drier.	Replace filter drier. *
	Restricted capillary tube.	Replace heat exchanger and evaporator assembly.
	Moisture in system.	See NOTE. *

*** NOTE:**

- Repair or replace component that is leaking.
- Replace the compressor if the system is contaminated.
- Blow out remaining part of system with dry Nitrogen.
- Pump down and recharge per listing on product serial label.
- Always replace filter drier when repairing sealed system.

PROBLEM	CAUSE	SOLUTION
Compressor short cycles.	Erratic control thermostat.	Replace control thermostat.
	Faulty relay.	Replace relay or starter.
	Restricted air flow over condenser.	Ensure air flow is unobstructed over condenser.
	Low voltage ... fluctuation exceeds $\pm 10\%$ of 115 vac (104-127).	Call qualified electrician.
	Compressor draws excessive watts.	Replace compressor.
	Inoperative condenser fan motor.	Replace condenser fan motor.
Compressor runs too much.	Control thermostat is erratic or not properly set.	Replace control thermostat or reset to normal position.
	Refrigerator exposed to high heat. (110° or higher)	Move refrigerator to cooler location.
	High room temperature. (110° F or higher)	Advise customer not to install refrigerator where temperature will rise above 110°F because compressor will not maintain proper temperatures.
	Low pumping capacity compressor.	Replace compressor.
	Door gaskets not sealing.	Adjust doors or replace door gaskets.
	System undercharged.	Check for leaks. *
	System overcharged.	Charge per listing on product serial plate. *
	Interior light stays on.	Check door switch and door adjustment.
	Contaminants in system.	Flush out system. Replace filter drier, evacuate, and recharge. *
	Capillary tube kinked or partially restricted.	Replace heat exchanger and evaporator assembly. *
	Filter drier partially restricted.	Replace filter drier. *
	Refrigerator and/or freezer compartment overloaded ... poor air circulation	Advise customer.
	Restricted air flow over condenser.	Ensure air flow is unobstructed over condenser.
Condenser fan motor is inoperative. (Forced air condenser models only)	Replace condenser fan motor.	
Noisy.	Tubing vibrates.	Adjust tubing.
	Internal compressor noise.	Replace compressor.
	Loose parts.	Check shelving.
	Compressor operating at high head pressure due to restricted air flow over condenser.	Ensure air flow is unobstructed over condenser.

* See NOTE at bottom of page 10

PROBLEM	CAUSE	SOLUTION
<p>Freezer compartment too warm.</p>  <p>Fig. A</p> <p>The front edge of each fan blade must extend 1/8" beyond the face of the coil cover</p>	Inoperative evaporator fan motor.	Check wiring and evaporator fan motor. (Check ADC on Side-by-Sides.)
	Improperly positioned fan blade.	Position fan blade properly. See Figure A.
	Evaporated frosted up.	Check defrost system, door adjustments, and door gaskets.
	Inoperative condenser fan motor. (Forced air condenser models only)	Replace condenser fan motor.
	Restricted air flow over condenser – On static condensers, be sure you have 1" between condenser and wall, and 3" over top, or 1 side of condenser is clear.	Clean condenser. (Dynamic models only.)
	Freezer compartment overloaded – poor air circulation.	Advise customer.
	Low room temperature. (60° or lower, 55° for models with Service Data Sheet numbers 240389600-15 and 240379001-13.)	Advise customer not to install refrigerator where temperature will drop below 60°F. Compressor will not maintain proper temperatures.
	Freezer or refrigerator compartment doors left open.	Advise customer.
	Control thermostat out of calibration.	Replace control thermostat.
	Door gaskets not sealing.	Adjust doors or replace door gaskets.
	Control thermostat capillary tube improperly positioned.	Reposition temperature sensing element.
	Shortage of refrigerant.	Check for leaks. *
	<p>Freezer compartment too cold.</p>	Restricted filter drier or capillary tube.
Evaporator fan motor covered in ice.		Check seal around ice maker fill spout. Check seal between evaporator cover and liner. (Side-by-sides only)
Inoperative cold control. (Top mount-No Frost or Side-by-Side freezer cold control)		Replace cold control.
Freezer compartment inlet air duct is loose or restricted. Door is loose.		Re-install air duct or remove obstruction from inlet air duct. Adjust door.
Food compartment air return duct blocked (Top Mount only)	If foam block is frozen, replace block. If duct is blocked, remove obstruction.	
Diffuser (foam block) in top of food compartment is broken. (Foam block located in control housing for models with Service Data Sheets 240389600-15 and 240379001-13.)	Replace diffuser. (Top Mount only) Freezer compartment cold control installed incorrectly. (Side-by-Sides only)	

* See NOTE at bottom of page 10

PROBLEM	CAUSE	SOLUTION
Refrigerator compartment too warm.	Inoperative evaporator fan motor.	Check wiring and evaporator fan motor. (Check ADC on Side-by-Sides.)
	Improperly positioned fan blade.	Position fan blade properly. See page 12, Figure A.
	Evaporated frosted up.	Check defrost system, door adjustments, and door gaskets.
	Refrigerator compartment overloaded – poor air circulation.	Advise customer.
	Low room temperature. (60° or lower, 55° for models with Service Data Sheet numbers 240389600-15 and 240379001-13.)	Advise customer not to install refrigerator where temperature will drop below 60°F. Compressor will not maintain proper temperatures.
	Freezer or refrigerator compartment doors left open.	Advise customer.
	Damper control out of calibration or not opening.	Replace damper control.
	Shortage of refrigerant.	Check for leaks. *
	Restricted filter drier or capillary tube.	Check for leaks and burnt compressor windings. *
	Refrigerator compartment inlet air duct loose or restricted. Door is loose.	Re-install air duct or remove obstruction from air duct. Adjust door.
	Freezer compartment return air duct restricted.	Remove obstruction from return air duct.
	Control thermostat knob set at too warm a position.	Set control knob to a colder position.
	Inoperative or erratic refrigerator/freezer compartment door switch.	Replace door switch.
	Freezer compartment inlet air duct is loose or restricted. Door is loose.	Re-install air duct or remove obstruction from inlet air duct. Adjust door.
	Food compartment air return duct blocked (Top Mount only)	If foam block is frozen, replace block. If duct is blocked, remove obstruction.
Refrigerator compartment too cold.	Inoperative cold control.	Replace cold control.
	Refrigerator compartment inlet air duct loose or restricted. Door is loose.	Re-install air duct or remove obstruction from air duct. Adjust door.
	Diffuser (foam block) in top of food compartment is broken. (Foam blocked located in control housing for models with Service Data Sheet numbers 240389600-15 and 240379001-13.)	Replace diffuser. (Top Mounts only)

* See NOTE at bottom of page 10.

PROBLEM	CAUSE	SOLUTION
Refrigerator compartment too cold. (Continued)	Inoperative cold control.	Replace cold control.
	Refrigerator compartment inlet air duct loose or restricted. Door is loose.	Re-install air duct or remove obstruction from air duct. Adjust door.
	Diffuser (foam block) in top of food compartment is broken. (Foam blocked located in control housing for models with Service Data Sheet numbers 240389600-15 and 240379001-13.)	Replace diffuser. (Top Mounts only)
	Door in damper control not closing or not closing all the way.	Replace damper control.
		Check freezer control bulb for correct positioning to ensure it is installed correctly.
Cold air blowing into food compartment with damper door closed all the way.	Check foam seal between damper housing and cabinet liner. Check to see that the control box is mounted flush against the cabinet liner.	
Evaporator blocked with ice. (See Adaptive defrost Control below for models with Service Data Sheet numbers 240389600-15 and 240379010-13.)	Inoperative defrost timer.	Check wiring. Repair or replace defrost timer.
	Defrost thermostat terminates too early. Thermostat is open.	Check for correct positioning of defrost thermostat. Repair or replace.
	Refrigerator/Freezer compartment doors left open.	Advise customer.
	Open defrost heater.	Replace heater.
	Air leak around ice maker fill tube, or opening.	Seal with permagum.
Frozen drain.	Ice maker water line and wiring harness openings not sealed.	Seal water line and wiring harness openings.
	Drain trough not properly formed.	Ensure drain trough is at 90° angle to back of freezer and that lip is up on front and ends.
	Divider (foam block) frozen.	Replace divider. Check drain trough.
Adaptive Defrost Control (ADC) not responding correctly.	Faulty ADC board.	Replace ADC board.
	Bad wire between ADC, defrost heater, and limiter.	Check wiring and wiring connectors.

PERFORMANCE DATA NO LOAD AND NO DOOR OPENINGS AT MID-POINT CONTROL SETTING		
Type A With Run Capacitor	65°F (18°C) Ambient	90°F (32°C) Ambient
Operating Time	25 to 35%	45 to 55%
Freezer Temperature	2° to 8°F -17° to -13°C	0° to 5°F -18° to -15°C
Refrigerature Temperature	35° to 40°F 2° to 4°C	35° to 40°F 2° to 4°C
Low Side Pressure (cut-in)	8 to 16 psig 55 to 110 kPa	8 to 16 psig 55 to 110 kPa
Low Side Pressure (cut-out)	1 to 4 psig 7 to 28 kPa	1 to 4 psig 7 to 28 kPa
High Side Pressure (Last 1/3 of cycle)	110 to 120 psig 758 to 827 kPa	150 to 175 psig 1034 to 1207 kPa
Wattage (Last 1/3 of cycle)	140 to 185	140 to 185
Amps (Running)	1.1 to 1.6	1.1 to 1.6
Base Voltage	115 VAC (127 VAC Max)	115 VAC (127 VAC Max)

DEFROST SPECIFICATIONS				
Cabinet Size	Thermostat		Heater	
	Cut-in	Cut-out	Watts	Ohms
18' & 21'	25°F -4°C	47°F 8°C	375	35
14', 15' & 17'	25°F -4°C	47°F 8°C	325	41

Mechanical Timer - Defrost 30 Minutes Every 10 Hours of Compressor Run Time
Electronic Timer (ADC) Defrost Up To 24 Minutes Every 6 - 72 Hours of Compressor Run Time

CONDENSER FAN MOTOR		
Watts	RPM	Amps
2.3	1100 CW Opposite Shaft	.15 Running

ICE MAKER SPECIFICATIONS		
Electrical	115 VAC (127 VAC Max)	60 Hertz
Thermostat	Opens at 48°F (9°C)	Closes at 15°F (-9°C)
Heater Wattage	165	

ICE MAKER CONNECTOR PLUG CONNECTIONS		
Wire Number	Wire Color	Connects to:
1	Green/Yellow	Ground
2	Yellow	Water Valve
3	Black	Line
4	Lt. Blue	Neutral

SERVICE DATA SHEET

STANDARD - AUTOMATIC
DEFROST TOP FREEZER
MODELS (R134a)

P/N: 240379010

IMPORTANT SAFETY NOTICE

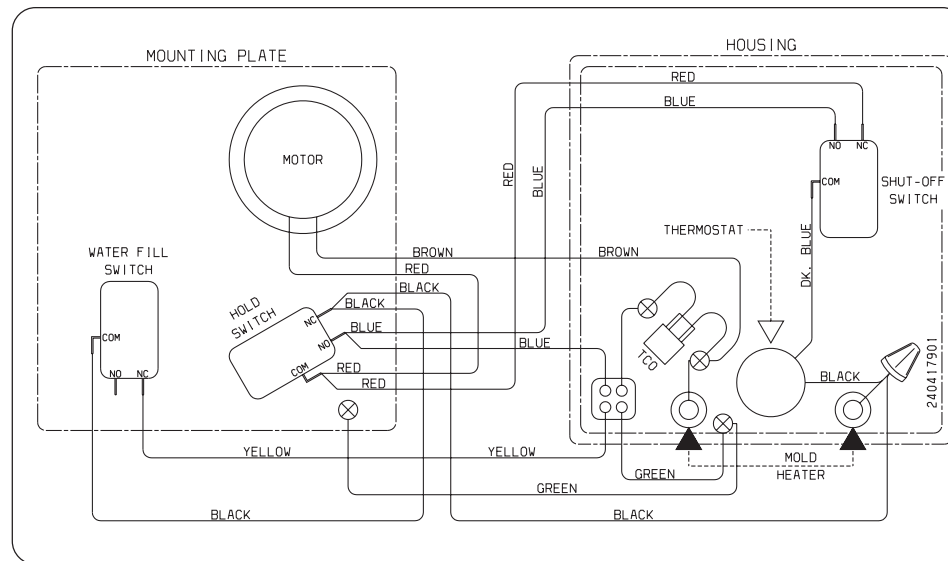
The information provided herein is designed to assist qualified repair personnel only. Untrained persons should not attempt to make repairs due to the possibility of electrical shock. Disconnect power cord before servicing.

IMPORTANT

If any green grounding wires are moved during servicing, they must be returned to their original position and properly secured.

CAUTION: All electrical parts and wiring must be shielded from torch flame. Do not allow torch to contact insulation; it will char at 200°F and flash ignite (burn) at 500°F. Excessive heat will distort the plastic liner.

NOTE: This product comes equipped with an Electronic Defrost Control. To initiate defrost, depress the fresh food light switch 5 times in 6 seconds (light bulb must be working). To terminate defrost, depress the fresh food light switch 5 times in 6 seconds.



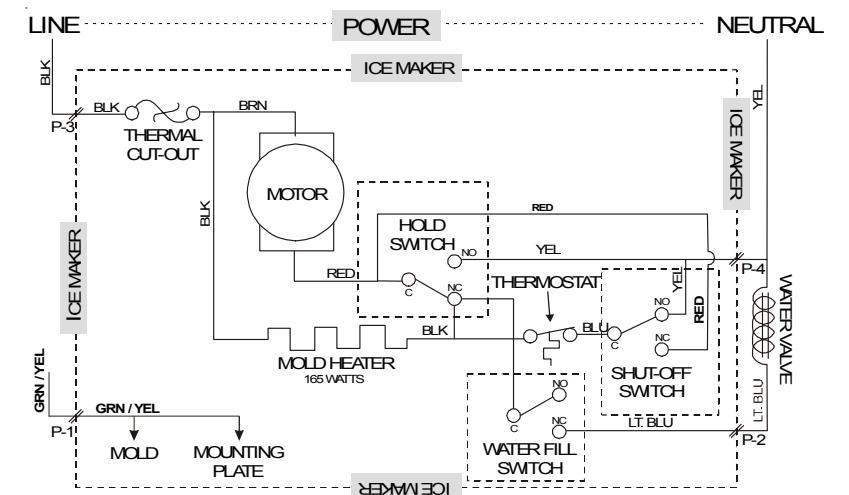
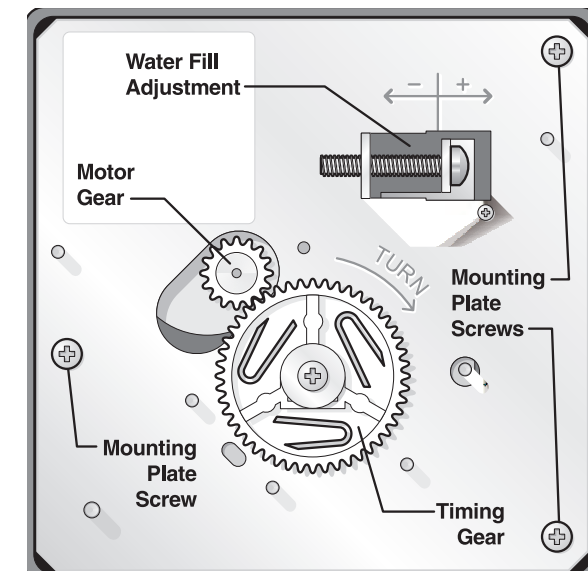
ICE MAKER INFORMATION

Test Cycling

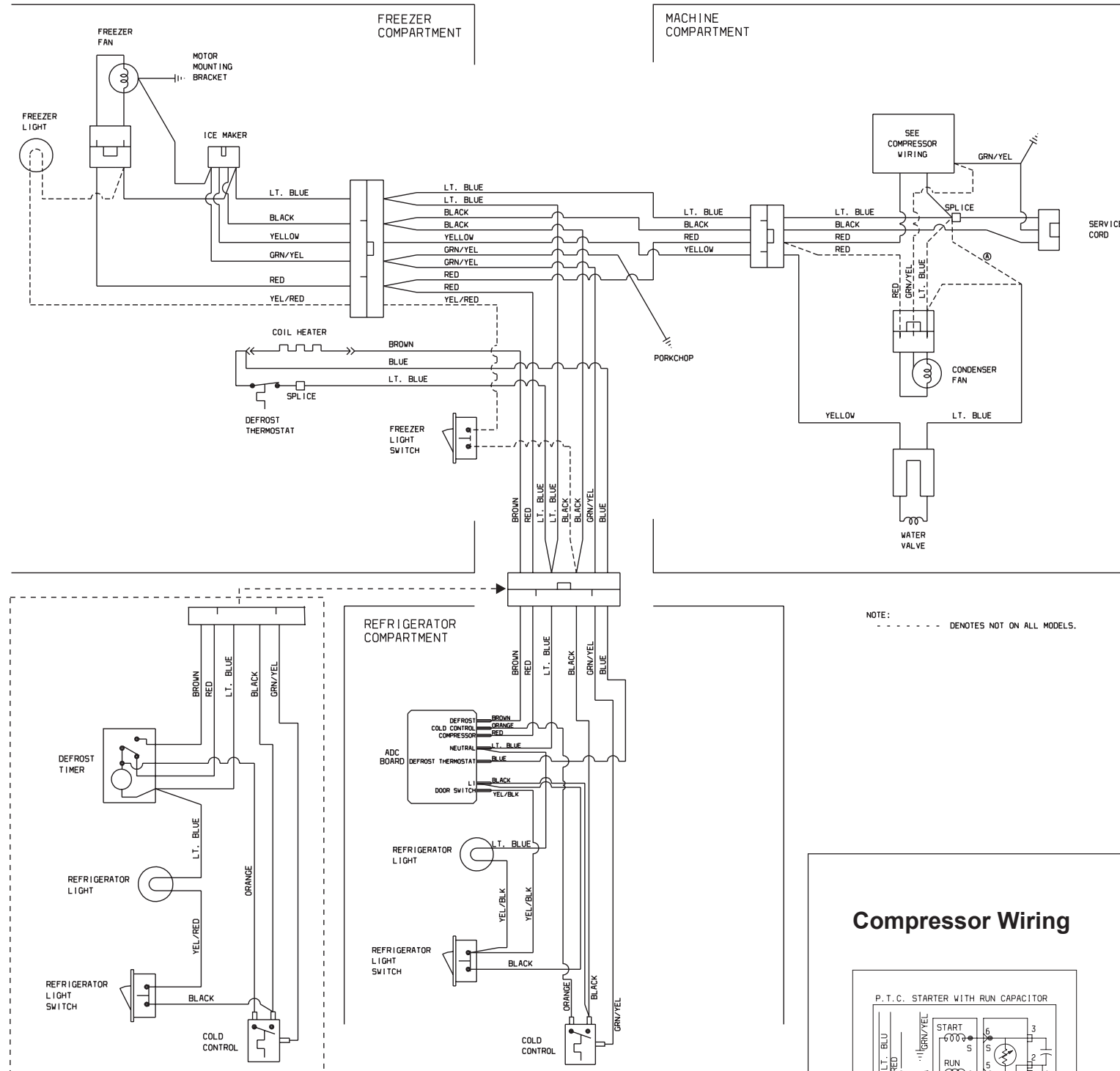
Remove cover by inserting screwdriver in notch at bottom and prying cover from housing. Use screwdriver to rotate motor gear counterclockwise until holding switch circuit is completed. All components of ice maker should function to complete the cycle.

Water Fill Volume

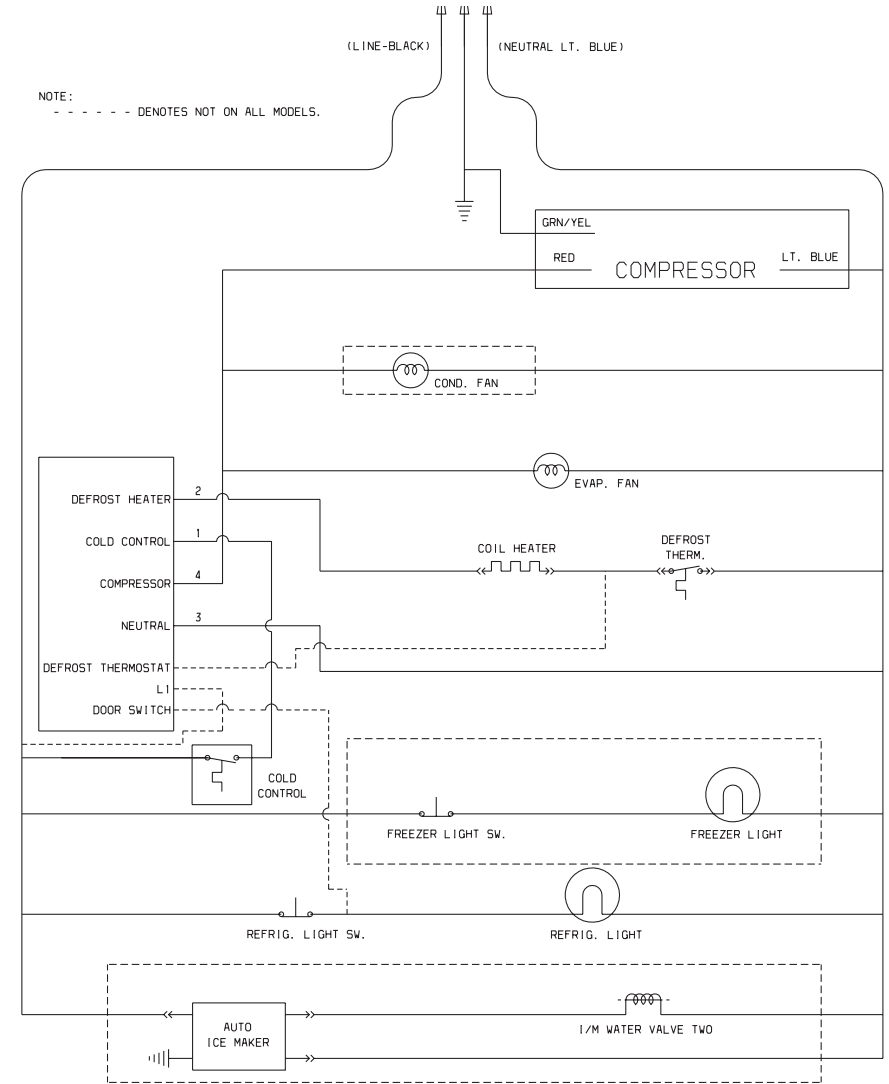
The water fill adjustment screw will change the fill time. One full turn is equal to 20cc (.68 oz.). The correct fill is 102 to 130cc (3.4 to 4.3 oz.). When a water valve is replaced, the fill volume must be checked.



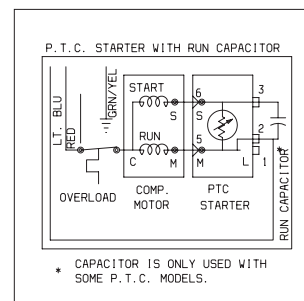
Pictorial Schematic



Ladder Schematic



Compressor Wiring



SERVICE PARTS	15 & 17 CUBIC FOOT			18 CUBIC FOOT			21 CUBIC FOOT	
	STATIC	DYNAMIC	E-STAR	STATIC	DYNAMIC	E-STAR	DYNAMIC	E-STAR
Compressor Kit *	5303918264	5303918264	5303918280	5303918264	5303918264	5303918280	5303918264	5303918251
Starter/PTC *	218721120	218721120	218721119	218721120	218721120	218721119	218721120	218721119
Run Capacitor *	218909901	218909901	218909901	218909901	218909901	218909901	218909901	216787800
Temperature Control	5304421256	5304421256	5304421256	5304421256	5304421256	5304421256	5304421256	5304421256
Timer (if applicable)	215846606	215846606	N/A	215846606	215846606	N/A	215846606	N/A
ADC (if applicable)	N/A	N/A	240545401	N/A	N/A	240545401	N/A	240545401
Defrost Heater Kit	5303918203	5303918203	5303918203	5303918208	5303918208	5303918208	5303918247	5303918247
Defrost Thermostat Kit	5303918202	5303918202	5303918202	5303918202	5303918202	5303918202	5303918202	5303918202
Evaporator Fan Motor	240369701	240369701	240369701	240369701	240369701	240369701	240369701	240369701
Condenser Fan Motor	N/A	240397101	240397101	N/A	240397101	240397101	240334001	240334001

* Typical compressor kit includes compressor, electrical components, and filter-drier

PERFORMANCE DATA NO LOAD AND NO DOOR OPENINGS AT MID-POINT CONTROL SETTING		
Type A With Run Capacitor	65°F (18°C) Ambient	90°F (32°C) Ambient
Operating Time	25 to 35%	45 to 55%
Freezer Temperature	2° to 8°F -17° to -13°C	0° to 5°F -18° to -15°C
Refrigerature Temperature	35° to 40°F 2° to 4°C	35° to 40°F 2° to 4°C
Low Side Pressure (cut-in)	8 to 16 psig 55 to 110 kPa	8 to 16 psig 55 to 110 kPa
Low Side Pressure (cut-out)	1 to 4 psig 7 to 28 kPa	1 to 4 psig 7 to 28 kPa
High Side Pressure (Last 1/3 of cycle)	110 to 120 psig 758 to 827 kPa	150 to 175 psig 1034 to 1207 kPa
Wattage (Last 1/3 of cycle)	140 to 185	140 to 185
Amps (Running)	1.1 to 1.6	1.1 to 1.6
Base Voltage	115 VAC (127 VAC Max)	115 VAC (127 VAC Max)

DEFROST SPECIFICATIONS				
Cabinet Size	Thermostat		Heater	
	Cut-in	Cut-out	Watts	Ohms
18' & 21'	25°F -4°C	47°F 8°C	375	35
14', 15' & 17'	25°F -4°C	47°F 8°C	325	41

Mechanical Timer - Defrost 30 Minutes Every 10 Hours of Compressor Run Time
Electronic Timer (ADC) Defrost Up To 24 Minutes Every 6 - 72 Hours of Compressor Run Time

CONDENSER FAN MOTOR		
Watts	RPM	Amps
2.3	1100 CW Opposite Shaft	.15 Running

ICE MAKER SPECIFICATIONS		
Electrical	115 VAC (127 VAC Max)	60 Hertz
Thermostat	Opens at 48°F (9°C)	Closes at 15°F (-9°C)
Heater Wattage	165	

ICE MAKER CONNECTOR PLUG CONNECTIONS		
Wire Number	Wire Color	Connects to:
1	Green/Yellow	Ground
2	Yellow	Water Valve
3	Black	Line
4	Lt. Blue	Neutral

SERVICE DATA SHEET

STANDARD - AUTOMATIC
DEFROST TOP FREEZER
MODELS (R134a)

P/N: 240379011

IMPORTANT SAFETY NOTICE

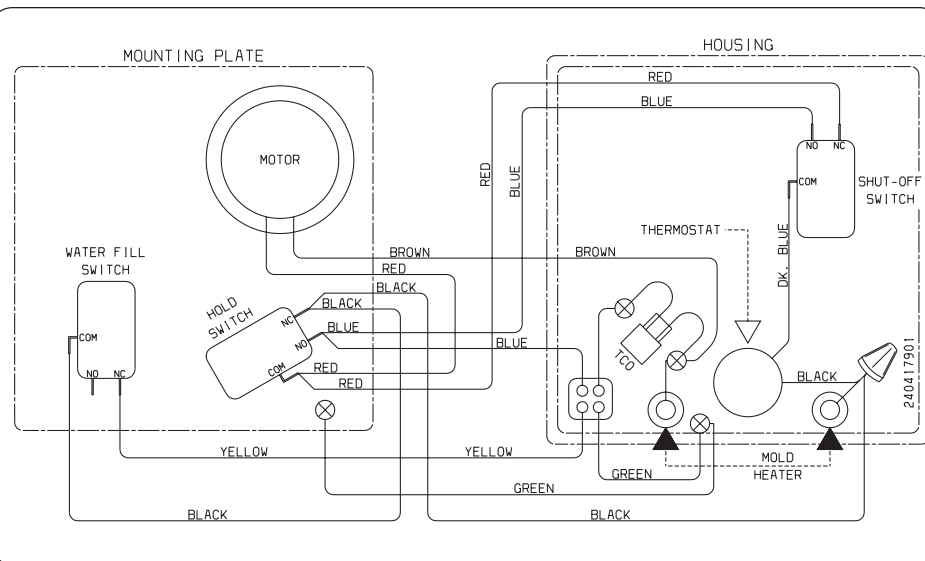
The information provided herein is designed to assist qualified repair personnel only. Untrained persons should not attempt to make repairs due to the possibility of electrical shock. Disconnect power cord before servicing.

IMPORTANT

If any green grounding wires are moved during servicing, they must be returned to their original position and properly secured.

CAUTION: All electrical parts and wiring must be shielded from torch flame. Do not allow torch to contact insulation; it will char at 200°F and flash ignite (burn) at 500°F. Excessive heat will distort the plastic liner.

NOTE: This product comes equipped with an Electronic Defrost Control. To initiate defrost, depress the fresh food light switch 5 times in 6 seconds (light bulb must be working). To terminate defrost, depress the fresh food light switch 5 times in 6 seconds.



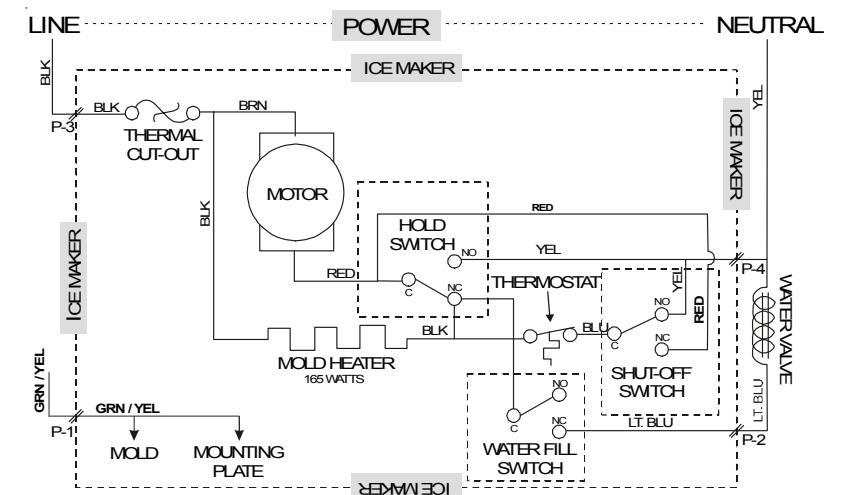
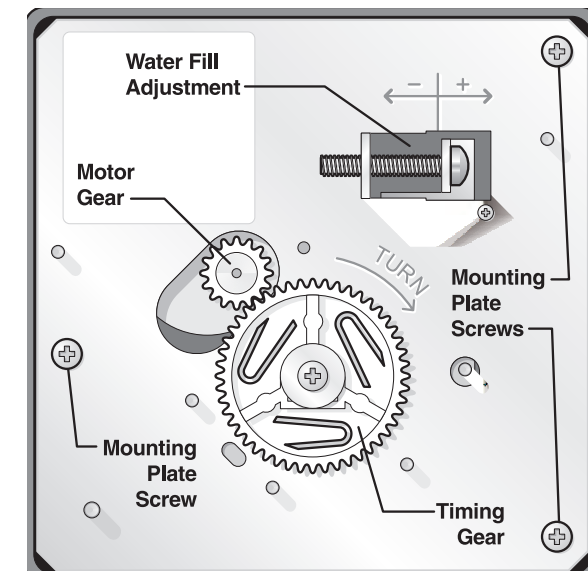
ICE MAKER INFORMATION

Test Cycling

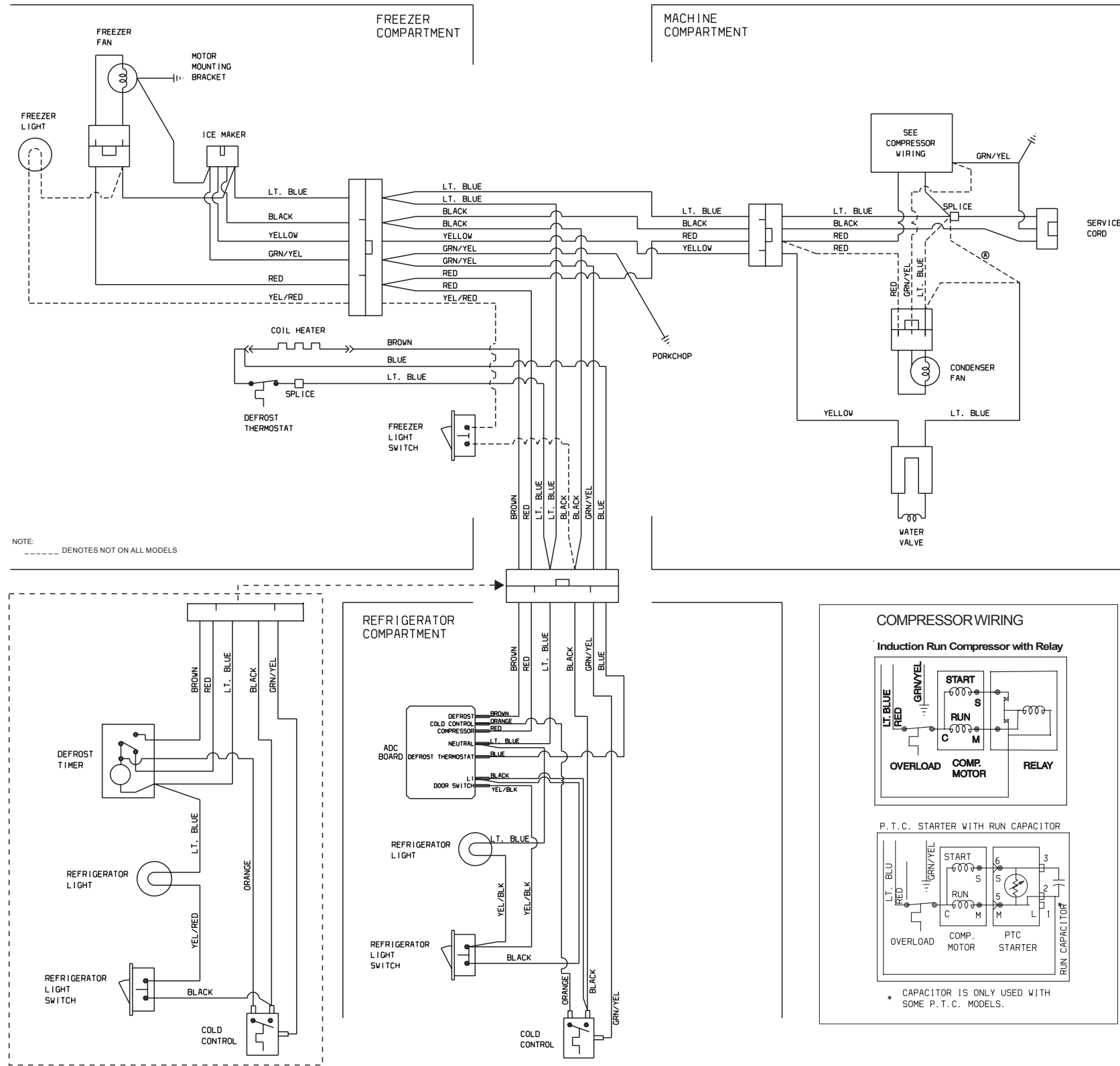
Remove cover by inserting screwdriver in notch at bottom and prying cover from housing. Use screwdriver to rotate motor gear counterclockwise until holding switch circuit is completed. All components of ice maker should function to complete the cycle.

Water Fill Volume

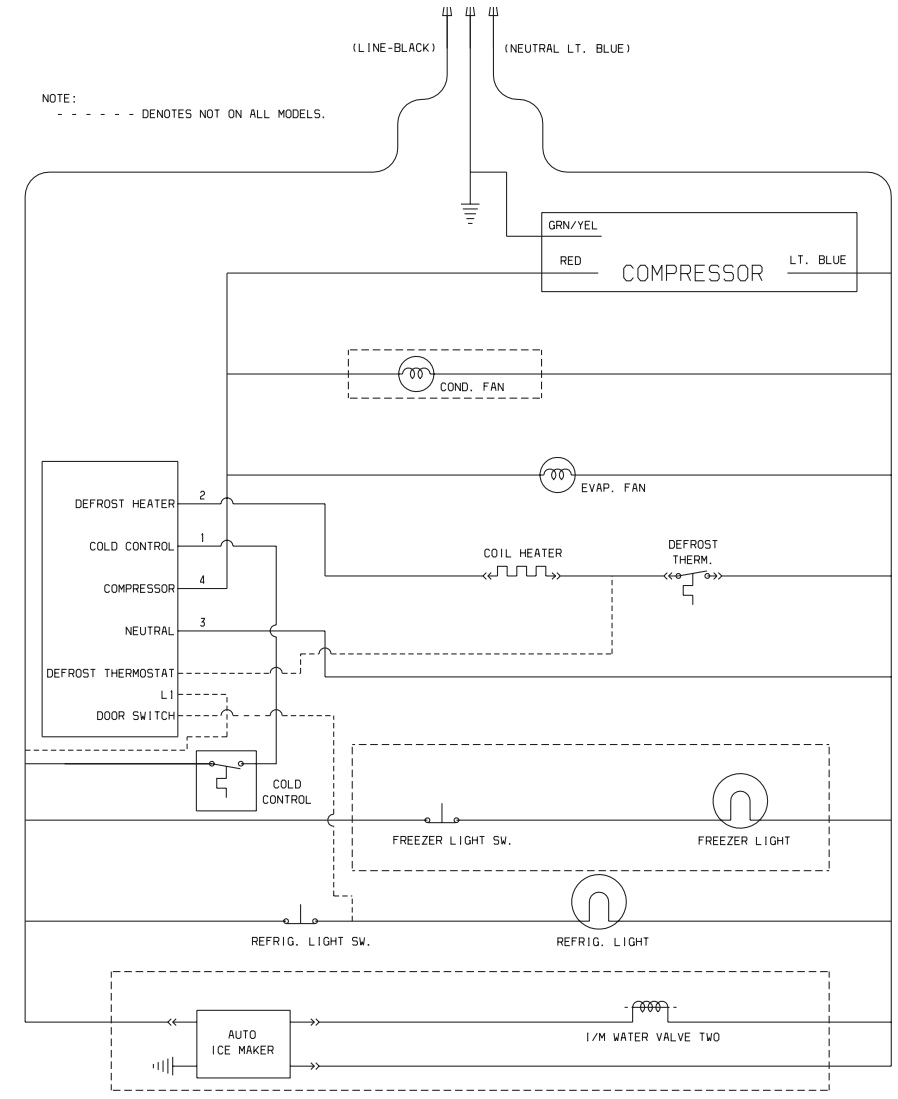
The water fill adjustment screw will change the fill time. One full turn is equal to 20cc (.68 oz.). The correct fill is 102 to 130cc (3.4 to 4.3 oz.). When a water valve is replaced, the fill volume must be checked.



Pictorial Schematic



Ladder Schematic



SERVICE PARTS	15 & 17 CUBIC FOOT			18 CUBIC FOOT			21 CUBIC FOOT	
	STATIC	DYNAMIC	E-STAR	STATIC	DYNAMIC	E-STAR	DYNAMIC	E-STAR
Compressor / Kit *	5303918264	5303918264	5303918295	240435705	240435705	5303918295	5303918264	5303918295
Starter/PTC *	218721120	218721120	218721120	218721120	218721120	218721120	218721120	218721120
Run Capacitor *	218909913	218909913	218909912	218909913	218909913	218909912	218909913	218909912
Relay	N/A	N/A	N/A	5304433579	5304433579	N/A	N/A	N/A
Overload	N/A	N/A	N/A	5304433578	5304433578	N/A	N/A	N/A
Temperature Control	5304421256	5304421256	5304421256	5304421256	5304421256	5304421256	5304421256	5304421256
Timer (if applicable)	215846606	215846606	215846606	215846606	215846606	215846606	215846606	215846606
ADC (if applicable)	N/A	N/A	N/A	N/A	N/A	N/A	N/A	N/A
Defrost Heater Kit	5303918203	5303918203	5303918203	5303918208	5303918208	5303918208	5303918247	5303918247
Defrost Thermostat Kit	5303918202	5303918202	5303918202	5303918202	5303918202	5303918202	5303918202	5303918202
Evaporator Fan Motor	240369701	240369701	240369701	240369701	240369701	240369701	240369701	240369701
Condenser Fan Motor	N/A	240523601	240523601	N/A	240523601	240523601	240334001	240334001

PERFORMANCE DATA NO LOAD AND NO DOOR OPENINGS AT MID-POINT CONTROL SETTING		
Type A With Run Capacitor	65°F (18°C) Ambient	90°F (32°C) Ambient
Operating Time	25 to 35%	45 to 55%
Freezer Temperature	2° to 8°F -17° to -13°C	0° to 5°F -18° to -15°C
Refrigerature Temperature	35° to 40°F 2° to 4°C	35° to 40°F 2° to 4°C
Low Side Pressure (cut-in)	8 to 16 psig 55 to 110 kPa	8 to 16 psig 55 to 110 kPa
Low Side Pressure (cut-out)	1 to 4 psig 7 to 28 kPa	1 to 4 psig 7 to 28 kPa
High Side Pressure (Last 1/3 of cycle)	110 to 120 psig 758 to 827 kPa	150 to 175 psig 1034 to 1207 kPa
Wattage (Last 1/3 of cycle)	140 to 185	140 to 185
Amps (Running)	1.1 to 1.6	1.1 to 1.6
Base Voltage	115 VAC (127 VAC Max)	115 VAC (127 VAC Max)

DEFROST SPECIFICATIONS				
Cabinet Size	Thermostat		Heater	
	Cut-in	Cut-out	Watts	Ohms
18' & 21'	25°F -4°C	47°F 8°C	375	35
14', 15' & 17'	25°F -4°C	47°F 8°C	325	41

Mechanical Timer - Defrost 30 Minutes Every 10 Hours of Compressor Run Time
Electronic Timer (ADC) Defrost Up To 24 Minutes Every 6 - 72 Hours of Compressor Run Time

CONDENSER FAN MOTOR		
Watts	RPM	Amps
2.3	1100 CW Opposite Shaft	.15 Running

ICE MAKER SPECIFICATIONS		
Electrical	115 VAC (127 VAC Max)	60 Hertz
Thermostat	Opens at 48°F (9°C)	Closes at 15°F (-9°C)
Heater Wattage	165	

ICE MAKER CONNECTOR PLUG CONNECTIONS		
Wire Number	Wire Color	Connects to:
1	Green/Yellow	Ground
2	Yellow	Water Valve
3	Black	Line
4	Lt. Blue	Neutral

SERVICE DATA SHEET

STANDARD - AUTOMATIC
DEFROST TOP FREEZER
MODELS (R134a)

P/N: 240379012

IMPORTANT SAFETY NOTICE

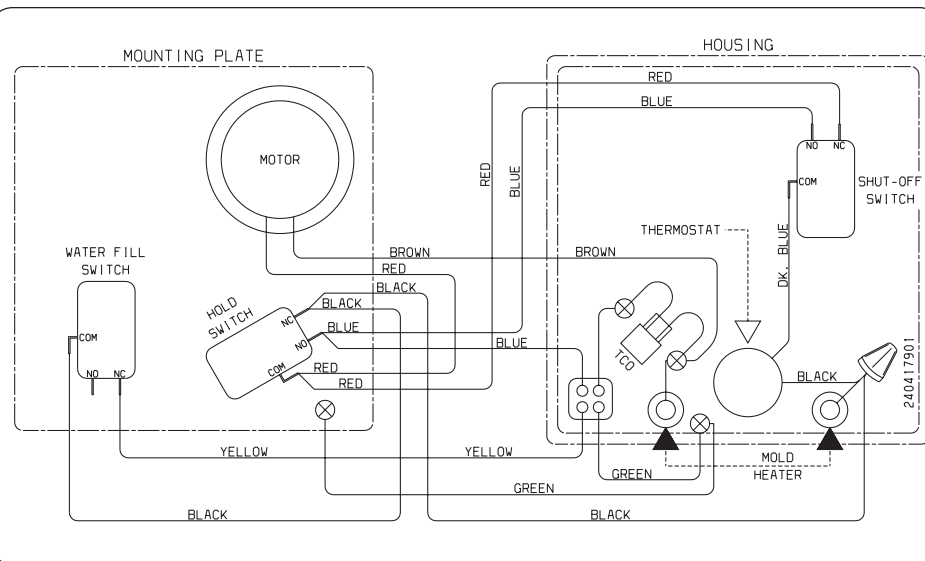
The information provided herein is designed to assist qualified repair personnel only. Untrained persons should not attempt to make repairs due to the possibility of electrical shock. Disconnect power cord before servicing.

IMPORTANT

If any green grounding wires are moved during servicing, they must be returned to their original position and properly secured.

CAUTION: All electrical parts and wiring must be shielded from torch flame. Do not allow torch to contact insulation; it will char at 200°F and flash ignite (burn) at 500°F. Excessive heat will distort the plastic liner.

NOTE: This product comes equipped with an Electronic Defrost Control. To initiate defrost, depress the fresh food light switch 5 times in 6 seconds (light bulb must be working). To terminate defrost, depress the fresh food light switch 5 times in 6 seconds.



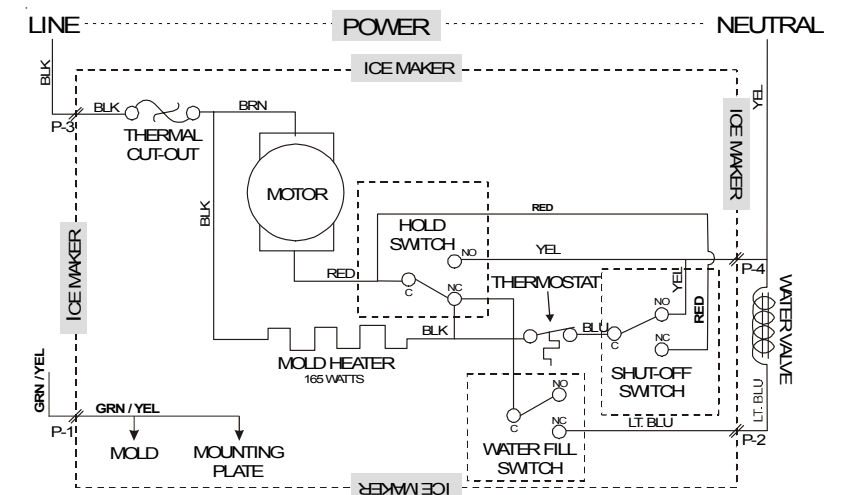
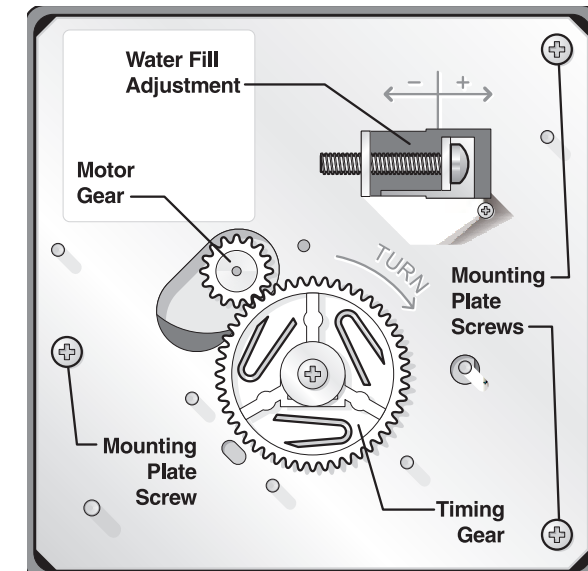
ICE MAKER INFORMATION

Test Cycling

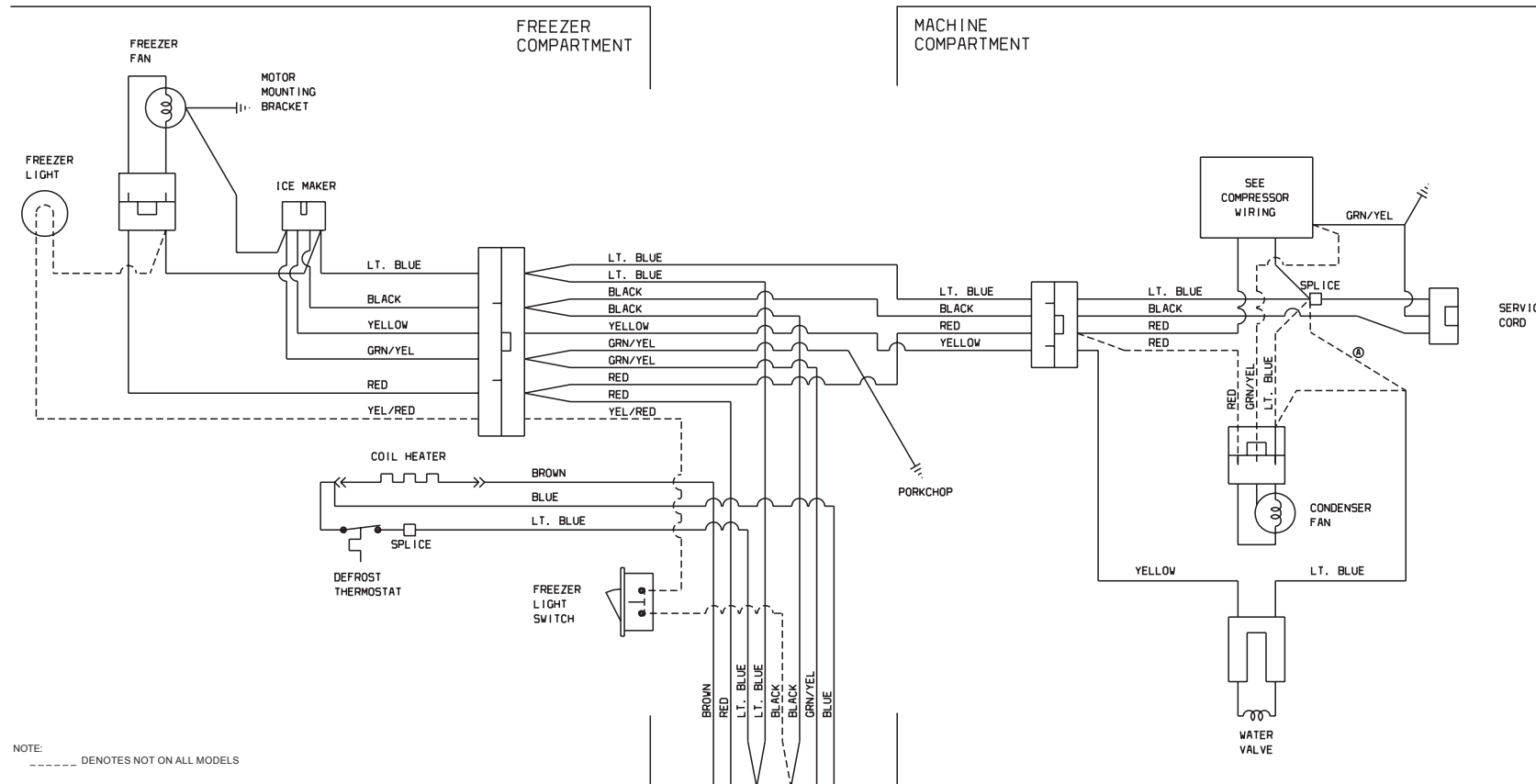
Remove cover by inserting screwdriver in notch at bottom and prying cover from housing. Use screwdriver to rotate motor gear counterclockwise until holding switch circuit is completed. All components of ice maker should function to complete the cycle.

Water Fill Volume

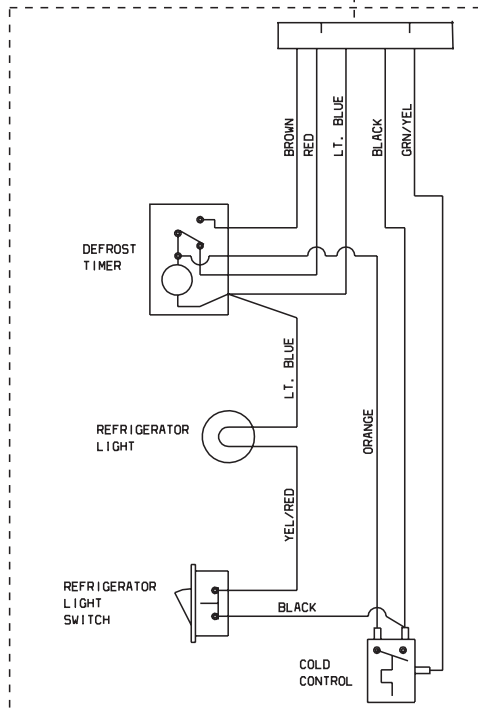
The water fill adjustment screw will change the fill time. One full turn is equal to 20cc (.68 oz.). The correct fill is 102 to 130cc (3.4 to 4.3 oz.). When a water valve is replaced, the fill volume must be checked.



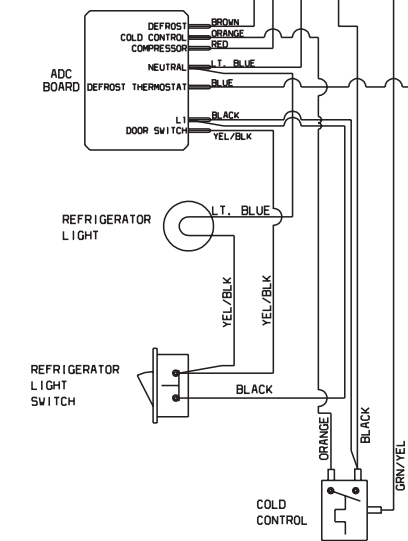
Pictorial Schematic



NOTE: ----- DENOTES NOT ON ALL MODELS

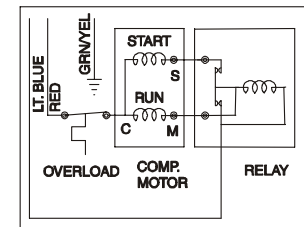


REFRIGERATOR COMPARTMENT

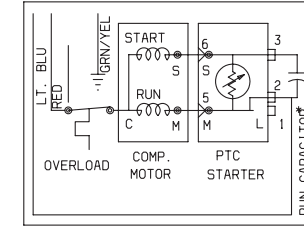


COMPRESSOR WIRING

Induction Run Compressor with Relay

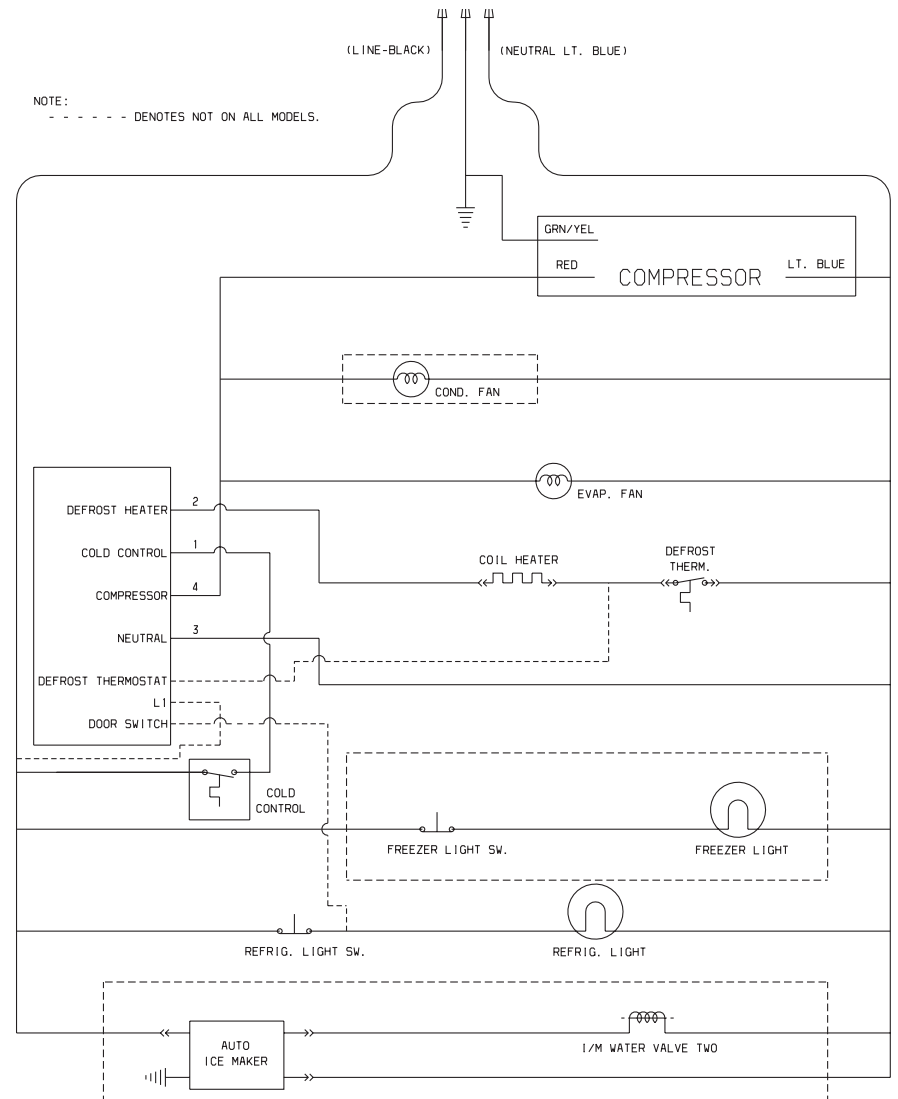


P.T.C. STARTER WITH RUN CAPACITOR



* CAPACITOR IS ONLY USED WITH SOME P.T.C. MODELS.

Ladder Schematic



NOTE: ----- DENOTES NOT ON ALL MODELS.

SERVICE PARTS	15 & 17 CUBIC FOOT			18 CUBIC FOOT			21 CUBIC FOOT	
	STATIC	DYNAMIC	E-STAR	STATIC	DYNAMIC	E-STAR	DYNAMIC	E-STAR
Compressor / Kit *	5303918264	5303918264	5303918295	5303918297	5303918297	5303918251	5303918297	5303918251
Starter/PTC *	218721120	218721120	218721120	N/A	N/A	218721119	N/A	218721119
Run Capacitor *	218909913	218909913	218909912	N/A	N/A	218909913	N/A	218909913
Relay	N/A	N/A	N/A	5304433579	5304433579	N/A	5304433579	N/A
Overload	N/A	N/A	N/A	5304433578	5304433578	N/A	5304433578	N/A
Temperature Control	5304421256	5304421256	5304421256	5304421256	5304421256	5304421256	5304421256	5304421256
Timer (if applicable)	215846606	215846606	215846606	215846606	215846606	215846606	215846606	215846606
ADC (if applicable)	N/A	N/A	N/A	N/A	N/A	N/A	N/A	N/A
Defrost Heater Kit	5303918203	5303918203	5303918203	5303918208	5303918208	5303918208	5303918247	5303918247
Defrost Thermostat Kit	5303918202	5303918202	5303918202	5303918202	5303918202	5303918202	5303918202	5303918202
Evaporator Fan Motor	240369701	240369701	240369701	240369701	240369701	240369701	240369701	240369701
Condenser Fan Motor	N/A	240523601	240523601	N/A	240523601	240523601	240334001	240334001

* Typical compressor kit includes compressor, electrical components, and filter-drier

PERFORMANCE DATA NO LOAD AND NO DOOR OPENINGS AT MID-POINT CONTROL SETTING		
Type A With Run Capacitor	65°F (18°C) Ambient	90°F (32°C) Ambient
Operating Time	25 to 35%	45 to 55%
Freezer Temperature	2° to 8°F -17° to -13°C	0° to 5°F -18° to -15°C
Refrigerature Temperature	35° to 40°F 2° to 4°C	35° to 40°F 2° to 4°C
Low Side Pressure (cut-in)	8 to 16 psig 55 to 110 kPa	8 to 16 psig 55 to 110 kPa
Low Side Pressure (cut-out)	1 to 4 psig 7 to 28 kPa	1 to 4 psig 7 to 28 kPa
High Side Pressure (Last 1/3 of cycle)	110 to 120 psig 758 to 827 kPa	150 to 175 psig 1034 to 1207 kPa
Wattage (Last 1/3 of cycle)	140 to 185	140 to 185
Amps (Running)	1.1 to 1.6	1.1 to 1.6
Base Voltage	115 VAC (127 VAC Max)	115 VAC (127 VAC Max)

DEFROST SPECIFICATIONS				
Cabinet Size	Thermostat		Heater	
	Cut-in	Cut-out	Watts	Ohms
18' & 21'	25°F -4°C	47°F 8°C	375	35
14', 15' & 17'	25°F -4°C	47°F 8°C	325	41

Mechanical Timer - Defrost 30 Minutes Every 10 Hours of Compressor Run Time
Electronic Timer (ADC) Defrost Up To 24 Minutes Every 6 - 72 Hours of Compressor Run Time

CONDENSER FAN MOTOR		
Watts	RPM	Amps
2.3	1100 CW Opposite Shaft	.15 Running

ICE MAKER SPECIFICATIONS		
Electrical	115 VAC (127 VAC Max)	60 Hertz
Thermostat	Opens at 48°F (9°C)	Closes at 15°F (-9°C)
Heater Wattage	165	

ICE MAKER CONNECTOR PLUG CONNECTIONS		
Wire Number	Wire Color	Connects to:
1	Green/Yellow	Ground
2	Yellow	Water Valve
3	Black	Line
4	Lt. Blue	Neutral

SERVICE DATA SHEET

STANDARD - AUTOMATIC
DEFROST TOP FREEZER
MODELS (R134a)

P/N: 240379013

IMPORTANT SAFETY NOTICE

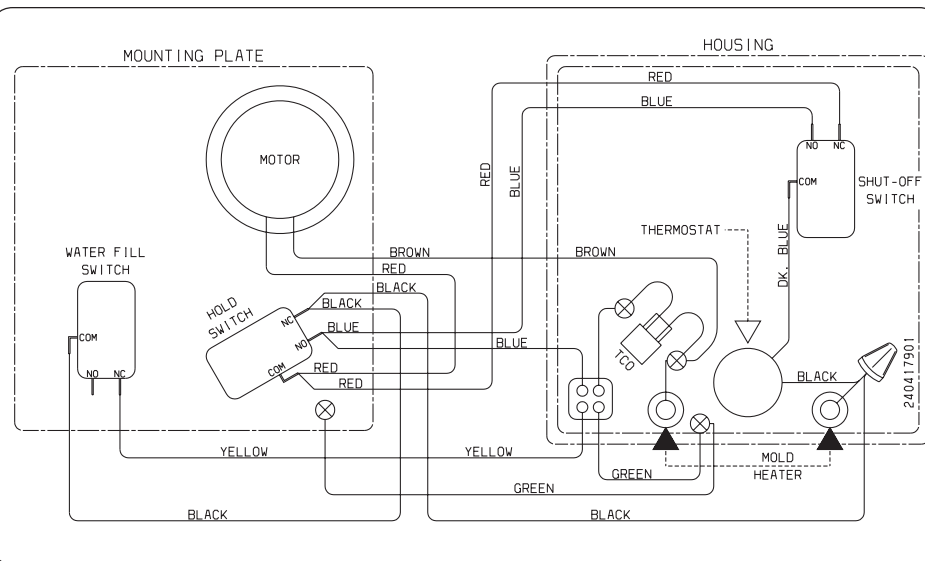
The information provided herein is designed to assist qualified repair personnel only. Untrained persons should not attempt to make repairs due to the possibility of electrical shock. Disconnect power cord before servicing.

IMPORTANT

If any green grounding wires are moved during servicing, they must be returned to their original position and properly secured.

CAUTION: All electrical parts and wiring must be shielded from torch flame. Do not allow torch to contact insulation; it will char at 200°F and flash ignite (burn) at 500°F. Excessive heat will distort the plastic liner.

NOTE: This product comes equipped with an Electronic Defrost Control. To initiate defrost, depress the fresh food light switch 5 times in 6 seconds (light bulb must be working). To terminate defrost, depress the fresh food light switch 5 times in 6 seconds.



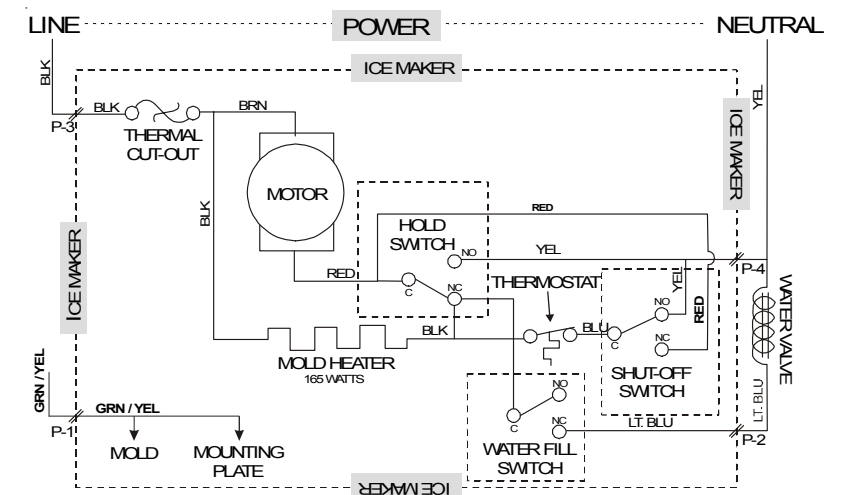
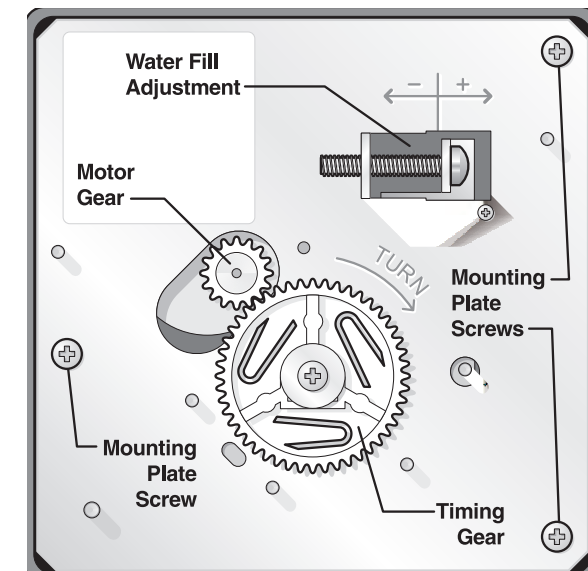
ICE MAKER INFORMATION

Test Cycling

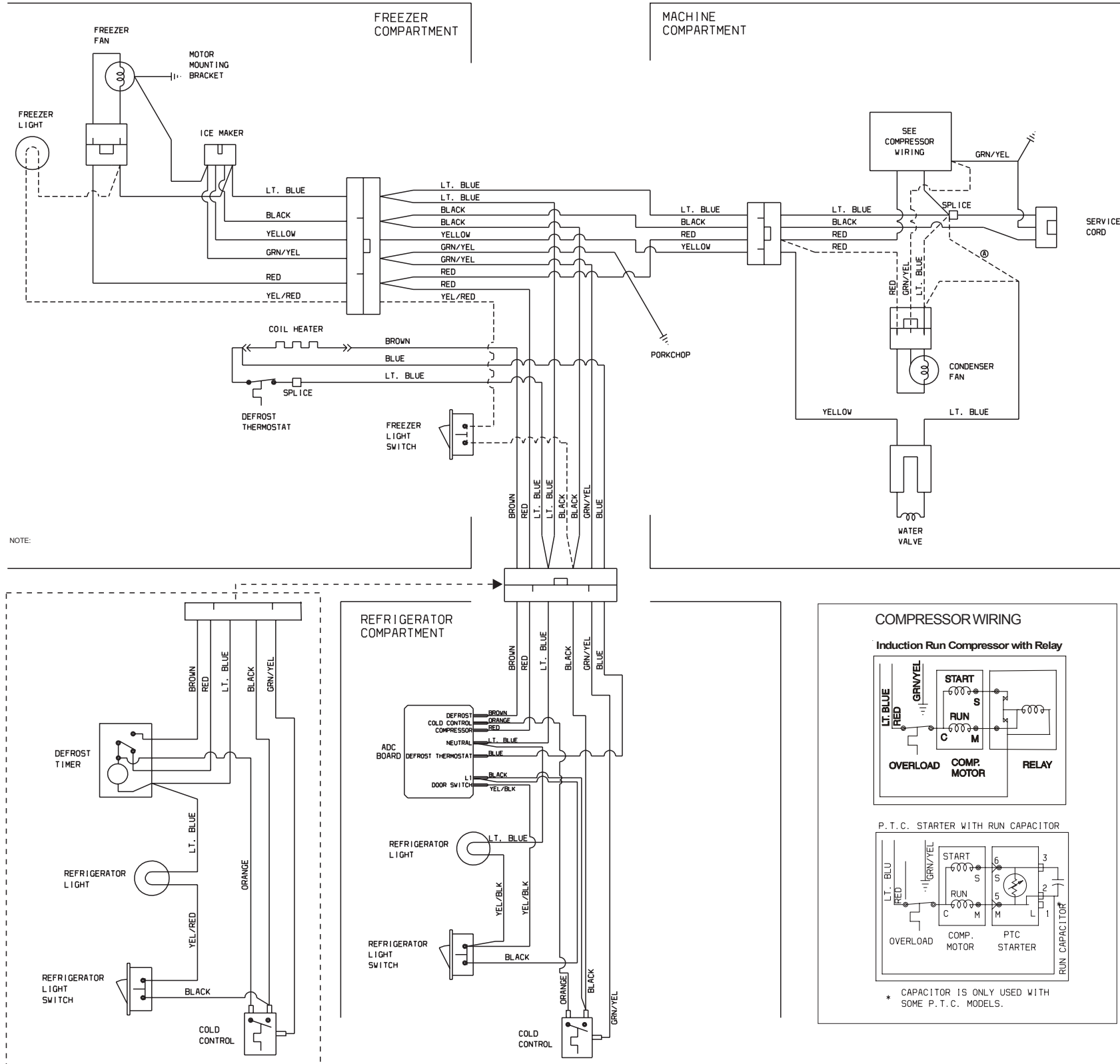
Remove cover by inserting screwdriver in notch at bottom and prying cover from housing. Use screwdriver to rotate motor gear counterclockwise until holding switch circuit is completed. All components of ice maker should function to complete the cycle.

Water Fill Volume

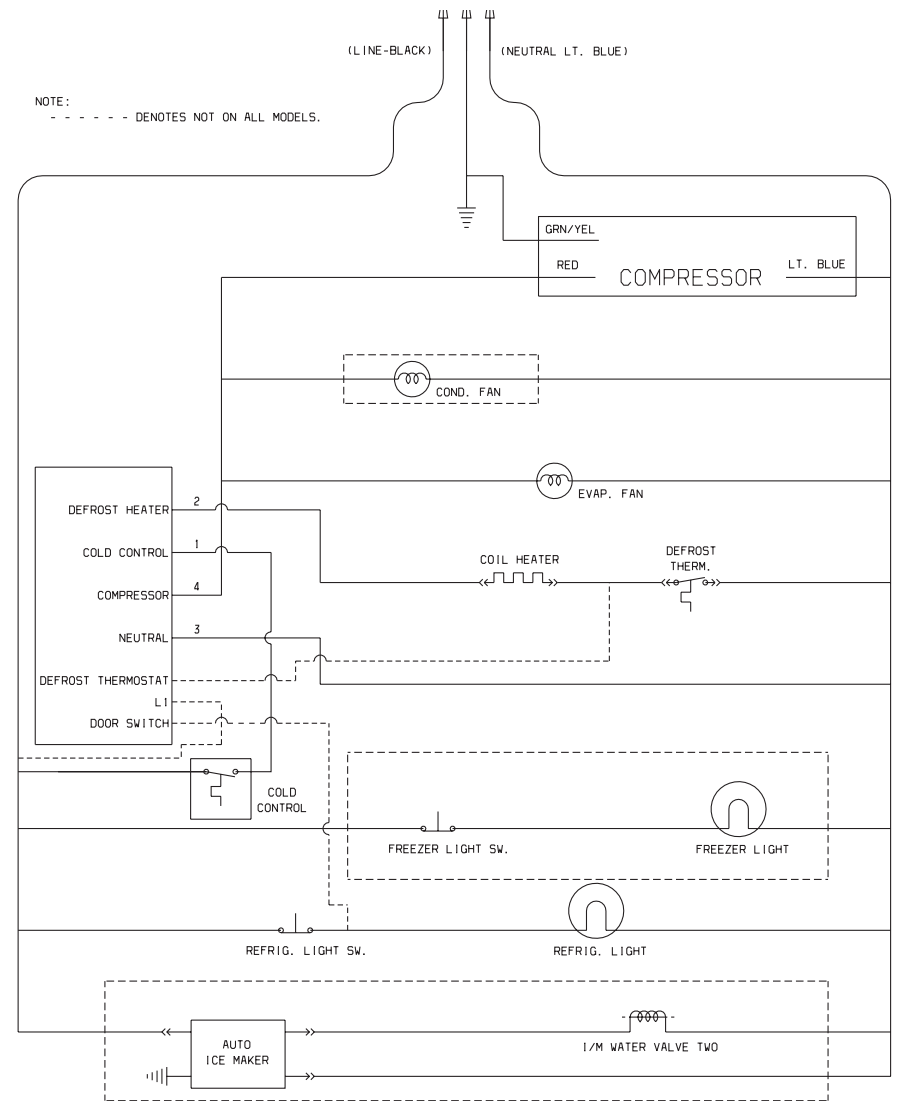
The water fill adjustment screw will change the fill time. One full turn is equal to 20cc (.68 oz.). The correct fill is 102 to 130cc (3.4 to 4.3 oz.). When a water valve is replaced, the fill volume must be checked.



Pictorial Schematic



Ladder Schematic



SERVICE PARTS	15 & 17 CUBIC FOOT			18 CUBIC FOOT			21 CUBIC FOOT	
	STATIC	DYNAMIC	E-STAR	STATIC	DYNAMIC	E-STAR	DYNAMIC	E-STAR
Compressor / Kit *	5303918264	5303918264	5303918299	5303918297	5303918297	5303918299	5303918297	5303918299
Starter/PTC/ITS *	218721120	218721120	241527802	N/A	N/A	241527802	N/A	241527802
Run Capacitor *	218909913	218909913	218909915	N/A	N/A	218909915	N/A	218909915
Relay	N/A	N/A	N/A	5304433579	5304433579	N/A	5304433579	N/A
Overload	N/A	N/A	N/A	5304433578	5304433578	N/A	5304433578	N/A
Temperature Control	5304421256	5304421256	5304421256	5304421256	5304421256	5304421256	5304421256	5304421256
Timer (if applicable)	215846606	215846606	215846606	215846606	215846606	215846606	215846606	215846606
ADC (if applicable)	N/A	N/A	N/A	N/A	N/A	N/A	N/A	N/A
Defrost Heater Kit	5303918203	5303918203	5303918203	5303918208	5303918208	5303918208	5303918247	5303918247
Defrost Thermostat Kit	5303918202	5303918202	5303918202	5303918202	5303918202	5303918202	5303918202	5303918202
Evaporator Fan Motor	240369701	240369701	240369701	240369701	240369701	240369701	240369701	240369701
Condenser Fan Motor	N/A	240523601	240523601	N/A	240523601	240523601	240334001	240334001

* Typical compressor kit includes compressor, electrical components, and filter-drier

PERFORMANCE DATA NO LOAD AND NO DOOR OPENINGS AT MID-POINT CONTROL SETTING				
Type A With Run/Start Capacitor	65°F (18°C) Ambient	90°F (32°C) Ambient		
Operating Time	32 to 40%	55 to 65%		
Freezer Temperature	0° to 4°F -18° to -16°C	-1° to 3°F -18° to -16°C		
Refrigerator Temperature	34° to 39°F 1° to 4°C	34° to 39°F 1° to 4°C		
Low Side Pressure (cut-in)	5 to 12 psig 34 to 83 kPa	5 to 12 psig 34 to 83 kPa		
Low Side Pressure (cut-out)	-2 to 2 psig -14 to 14 kPa	-2 to 2 psig -14 to 14 kPa		
High Side Pressure (Last 1/3 of cycle)	90 to 115 psig 621 to 793 kPa	130 to 155 psig 896 to 1069 kPa		
Wattage (Last 1/3 of cycle)	120 to 150	130 to 160		
Amps (Running)	1.2 to 1.5	1.2 to 1.5		
Base Voltage	115 vac (127 vac max)	115 vac (127 vac max)		
DEFROST SPECIFICATIONS				
Cabinet Size	Thermostat		Heater	
	Cut-in	Cut-out	Watts	Ohms
23' & 26'	25°F -4°C	47°F 8°C	450	30
Electronic Timer - (ADC) Defrost 24 minutes every 6 to 72 hours of compressor run time.				
CONDENSER FAN MOTOR				
Watts	RPM	Amps		
7	1100 CW Opposite Shaft	.1 Running		
ICE MAKER SPECIFICATIONS				
Electrical	115 vac (127 vac max)	60 Hertz		
Thermostat	Opens at 48°F (9°C)	Closes at 15°F (-9°C)		
Heater Wattage	165			

ICE MAKER CONNECTOR PLUG CONNECTIONS		
Wire Number	Wire Color	Connects to:
1	Green/Yellow	Ground
2	Yellow	Water Valve
3	Black	Line
4	Lt. Blue	Neutral

SERVICE DATA SHEET - 240389610
R134a
ICE & WATER - AUTOMATIC DEFROST
SIDE BY SIDE MODELS

IMPORTANT SAFETY NOTICE

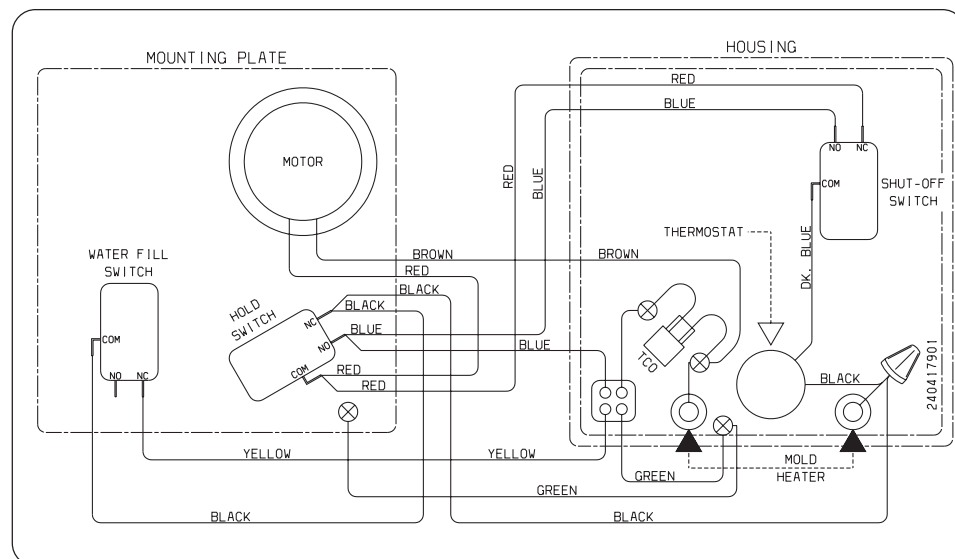
The information provided herein is designed to assist qualified repair personnel only. Untrained persons should not attempt to make repairs due to the possibility of electrical shock. Disconnect power cord before servicing.

IMPORTANT

If any green grounding wires are moved during servicing, they must be returned to their original position and properly secured.

CAUTION: All electrical parts and wiring must be shielded from torch flame. Do not allow torch to contact insulation; it will char at 200°F and flash ignite (burn) at 500°F. Excessive heat will distort the plastic liner.

NOTE: This product comes equipped with an Electronic Defrost Control. To initiate defrost, depress the fresh food light switch 5 times in 6 seconds (light bulb must be working). To terminate defrost, depress the fresh food light switch 5 times in 6 seconds.



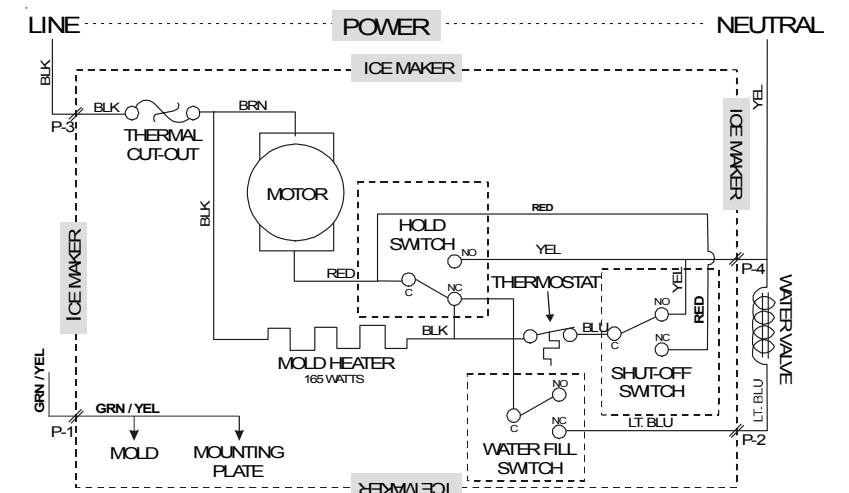
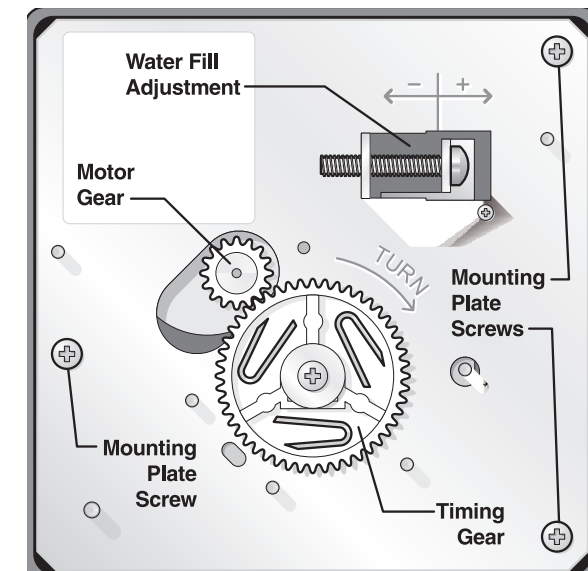
ICE MAKER INFORMATION

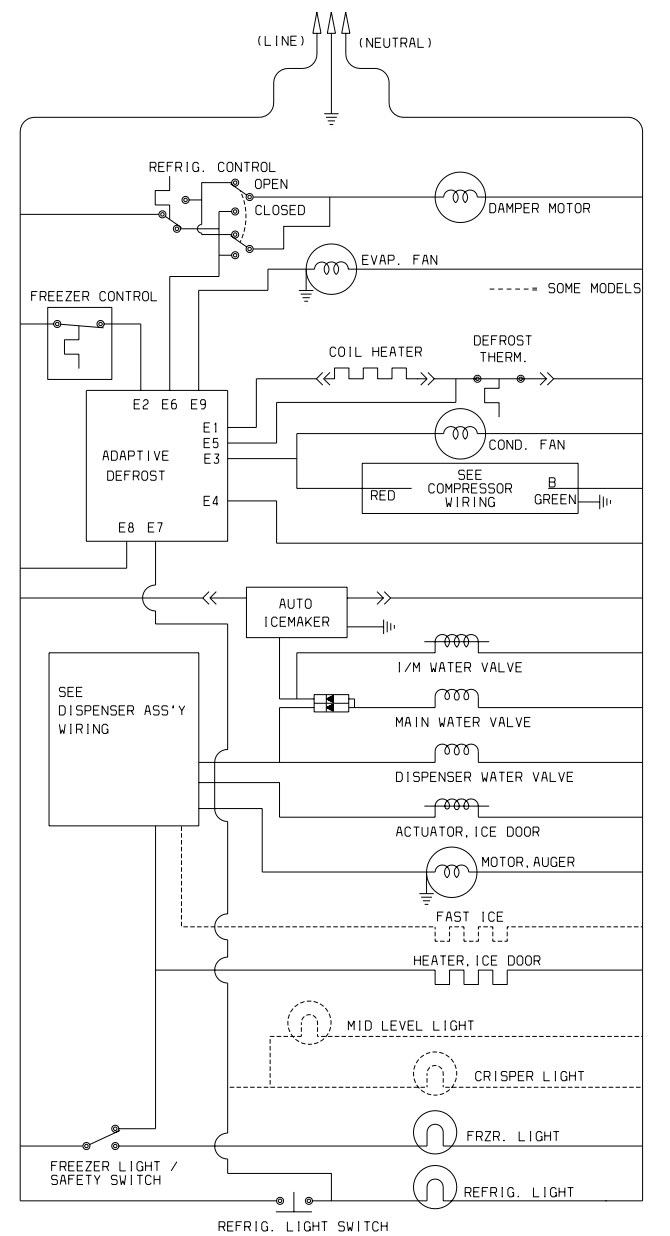
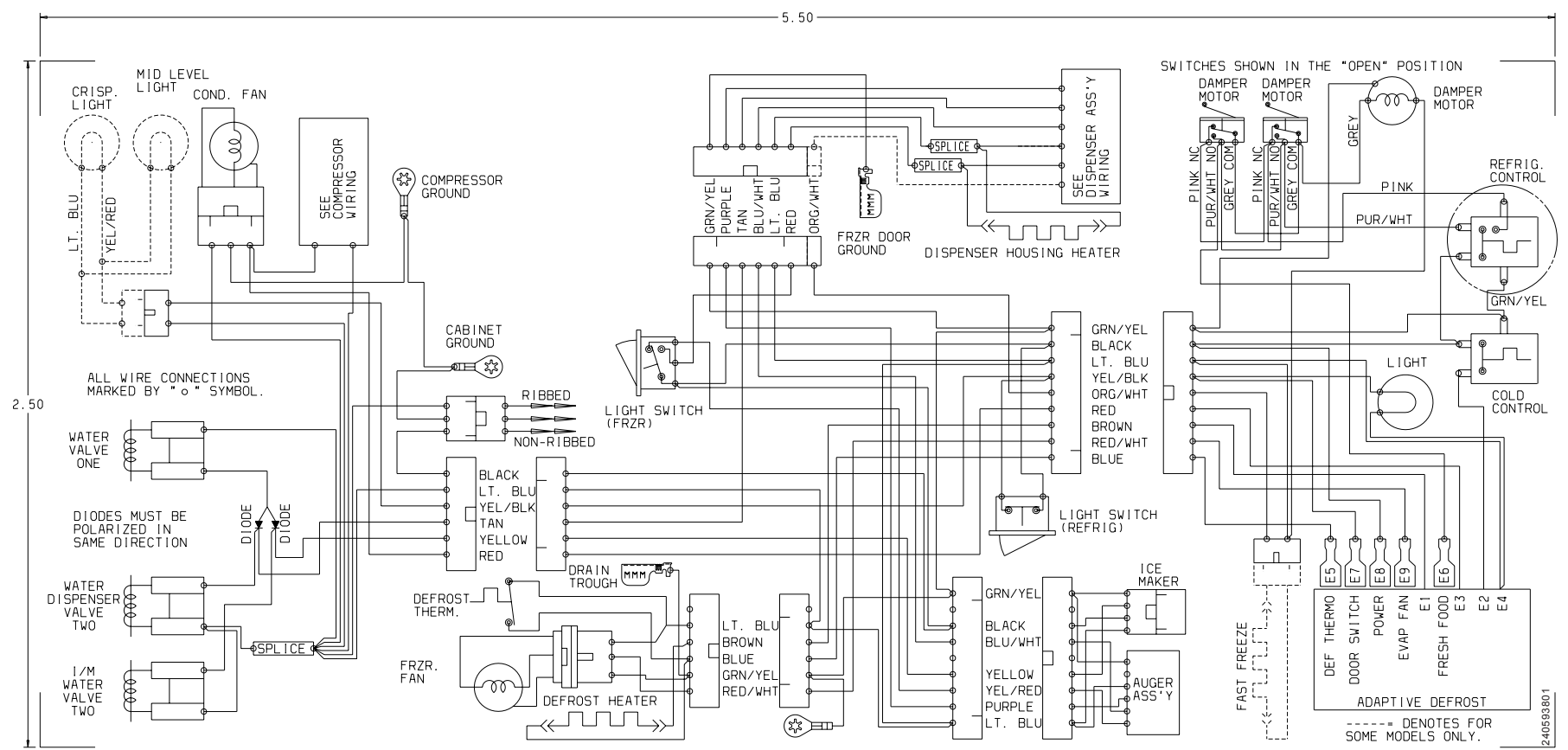
Test Cycling

Remove cover by inserting screwdriver in notch at bottom and prying cover from housing. Use screwdriver to rotate motor gear counterclockwise until holding switch circuit is completed. All components of ice maker should function to complete the cycle.

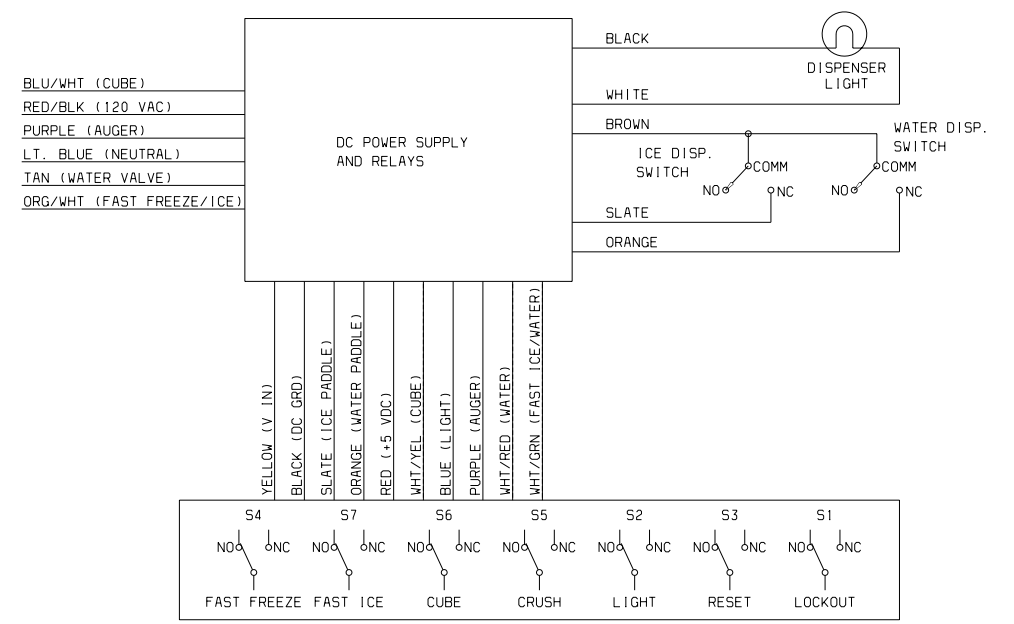
Water Fill Volume

The water fill adjustment screw will change the fill time. One full turn is equal to 20cc (.68 oz.). The correct fill is 102 to 130cc (3.4 to 4.3 oz.). When a water valve is replaced, the fill volume must be checked.

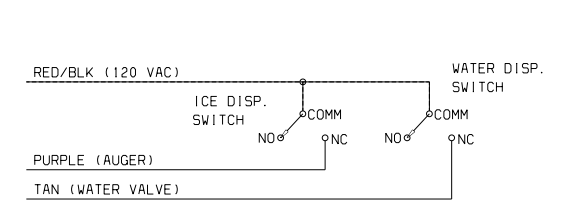




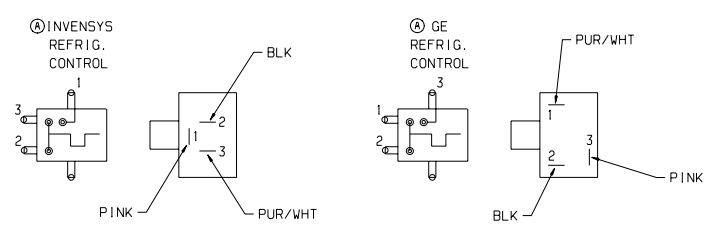
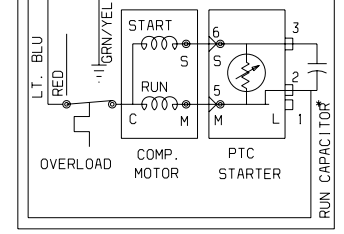
ELECTRONIC DISPENSER



ELECTRO-MECHANICAL DISPENSER



P. T. C. STARTER WITH RUN CAPACITOR



SERVICE PARTS	23 CUBIC FOOT		26 CUBIC FOOT	
	STANDARD	E-STAR	STANDARD	E-STAR
Compressor Kit *	5303918251	5303918251	5303918254	5303918254
Starter/PTC *	218721119	218721119	218721119	218721119
Run Capacitor *	218787800	218787800	218909901	218909901
Temp. Control-Refr	240448303	240448303	240448303	240448303
Temp. Control-Frzz	5304429602	5304429602	450226-14	450226-14
Timer (if applicable)	N/A	N/A	N/A	N/A
ADC (if applicable)	240554502	240554502	240554502	240554502
Defrost Heater Kit	5303918253	5303918253	5303918253	5303918253
Defrost Thermostat Kit	5303918214	5303918214	5303918214	5303918214
Evaporator Fan Motor	240315803	240315802	240315803	240315802
Condenser Fan Motor	240397101	240334001	240397101	240334002

* Typical compressor kit includes compressor, electrical components, and filter-drier

PERFORMANCE DATA NO LOAD AND NO DOOR OPENINGS AT MID-POINT CONTROL SETTING				
Type A With Run/Start Capacitor	65°F (18°C) Ambient	90°F (32°C) Ambient		
Operating Time	32 to 40%	55 to 65%		
Freezer Temperature	0° to 4°F -18° to -16°C	-1° to 3°F -18° to -16°C		
Refrigerator Temperature	34° to 39°F 1° to 4°C	34° to 39°F 1° to 4°C		
Low Side Pressure (cut-in)	5 to 12 psig 34 to 83 kPa	5 to 12 psig 34 to 83 kPa		
Low Side Pressure (cut-out)	-2 to 2 psig -14 to 14 kPa	-2 to 2 psig -14 to 14 kPa		
High Side Pressure (Last 1/3 of cycle)	90 to 115 psig 621 to 793 kPa	130 to 155 psig 896 to 1069 kPa		
Wattage (Last 1/3 of cycle)	120 to 150	130 to 160		
Amps (Running)	1.2 to 1.5	1.2 to 1.5		
Base Voltage	115 vac (127 vac max)	115 vac (127 vac max)		
DEFROST SPECIFICATIONS				
Cabinet Size	Thermostat		Heater	
	Cut-in	Cut-out	Watts	Ohms
23' & 26'	25°F -4°C	47°F 8°C	450	30
Electronic Timer - (ADC) Defrost 24 minutes every 6 to 72 hours of compressor run time.				
CONDENSER FAN MOTOR				
Watts	RPM	Amps		
7	1100 CW Opposite Shaft	.1 Running		
ICE MAKER SPECIFICATIONS				
Electrical	115 vac (127 vac max)	60 Hertz		
Thermostat	Opens at 48°F (9°C)	Closes at 15°F (-9°C)		
Heater Wattage	165			

ICE MAKER CONNECTOR PLUG CONNECTIONS		
Wire Number	Wire Color	Connects to:
1	Green/Yellow	Ground
2	Yellow	Water Valve
3	Black	Line
4	Lt. Blue	Neutral

SERVICE DATA SHEET - 240389611

R134a ICE & WATER - AUTOMATIC DEFROST SIDE BY SIDE MODELS

IMPORTANT SAFETY NOTICE

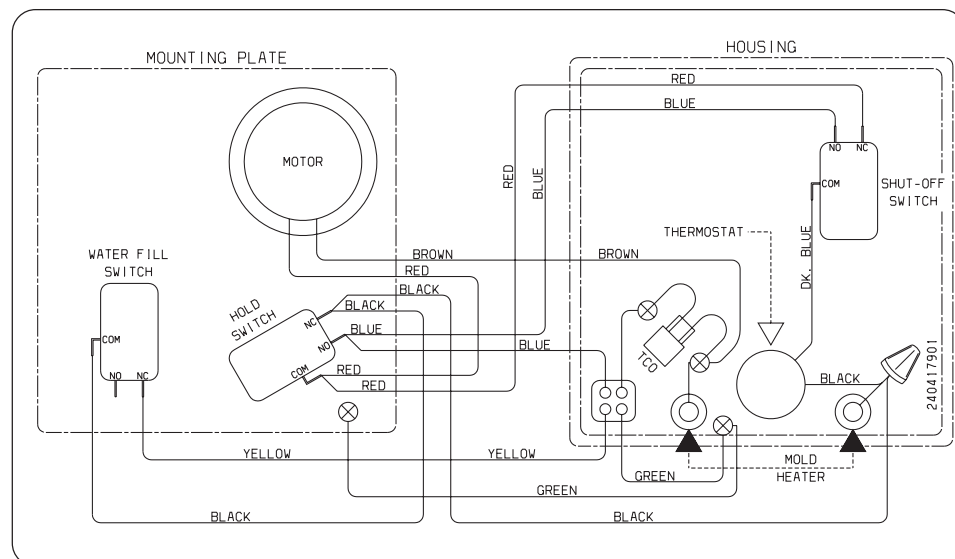
The information provided herein is designed to assist qualified repair personnel only. Untrained persons should not attempt to make repairs due to the possibility of electrical shock. Disconnect power cord before servicing.

IMPORTANT

If any green grounding wires are moved during servicing, they must be returned to their original position and properly secured.

CAUTION: All electrical parts and wiring must be shielded from torch flame. Do not allow torch to contact insulation; it will char at 200°F and flash ignite (burn) at 500°F. Excessive heat will distort the plastic liner.

NOTE: This product comes equipped with an Electronic Defrost Control. To initiate defrost, depress the fresh food light switch 5 times in 6 seconds (light bulb must be working). To terminate defrost, depress the fresh food light switch 5 times in 6 seconds.



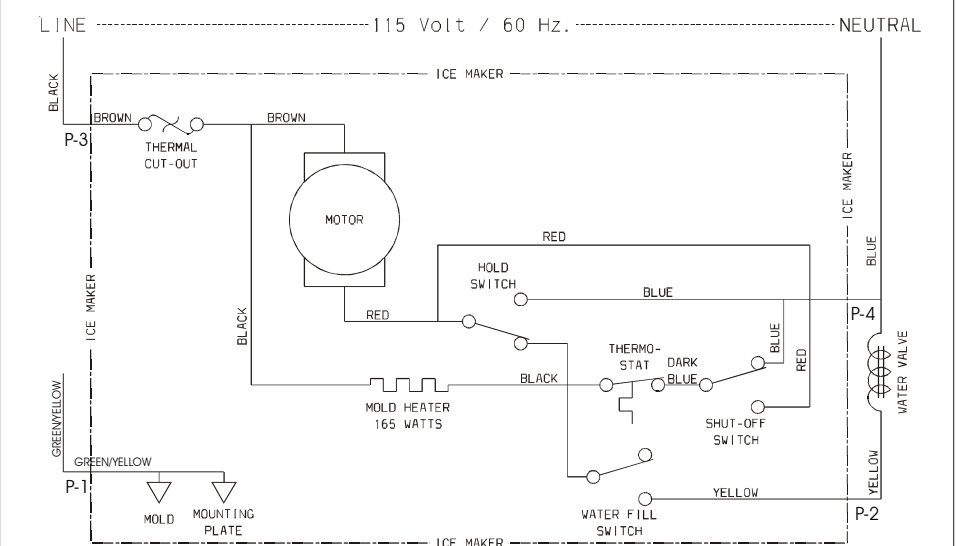
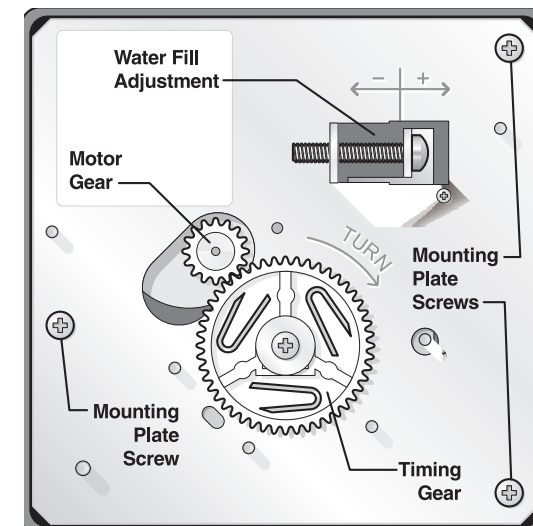
ICE MAKER INFORMATION

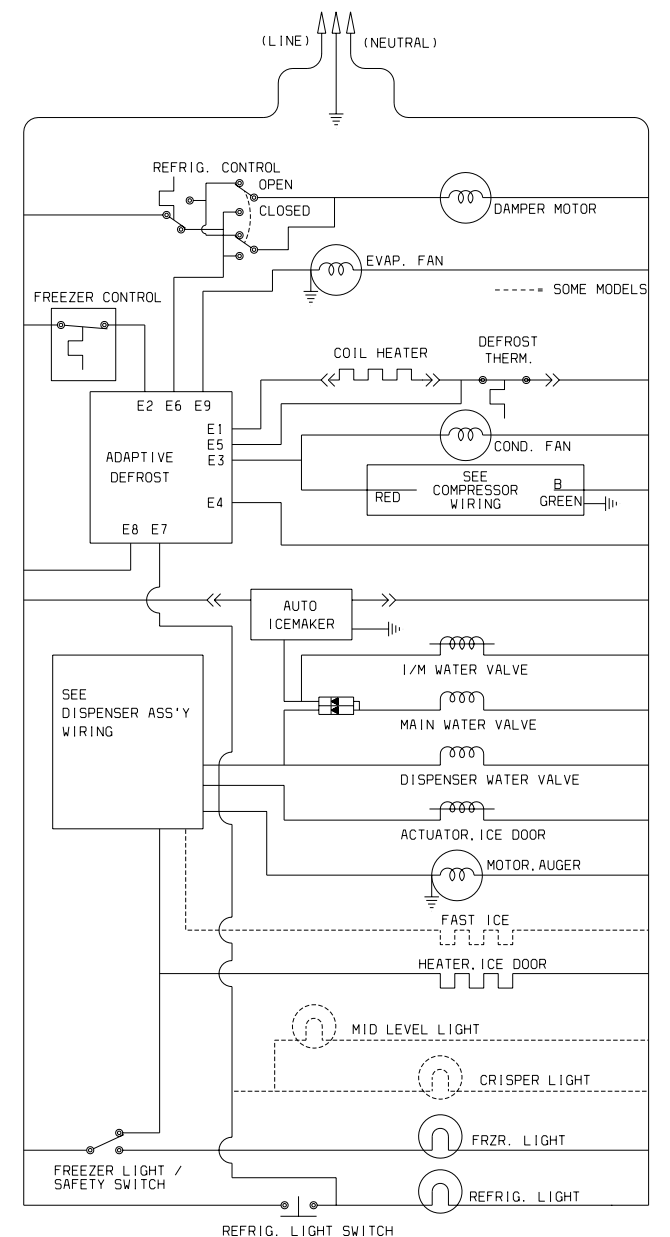
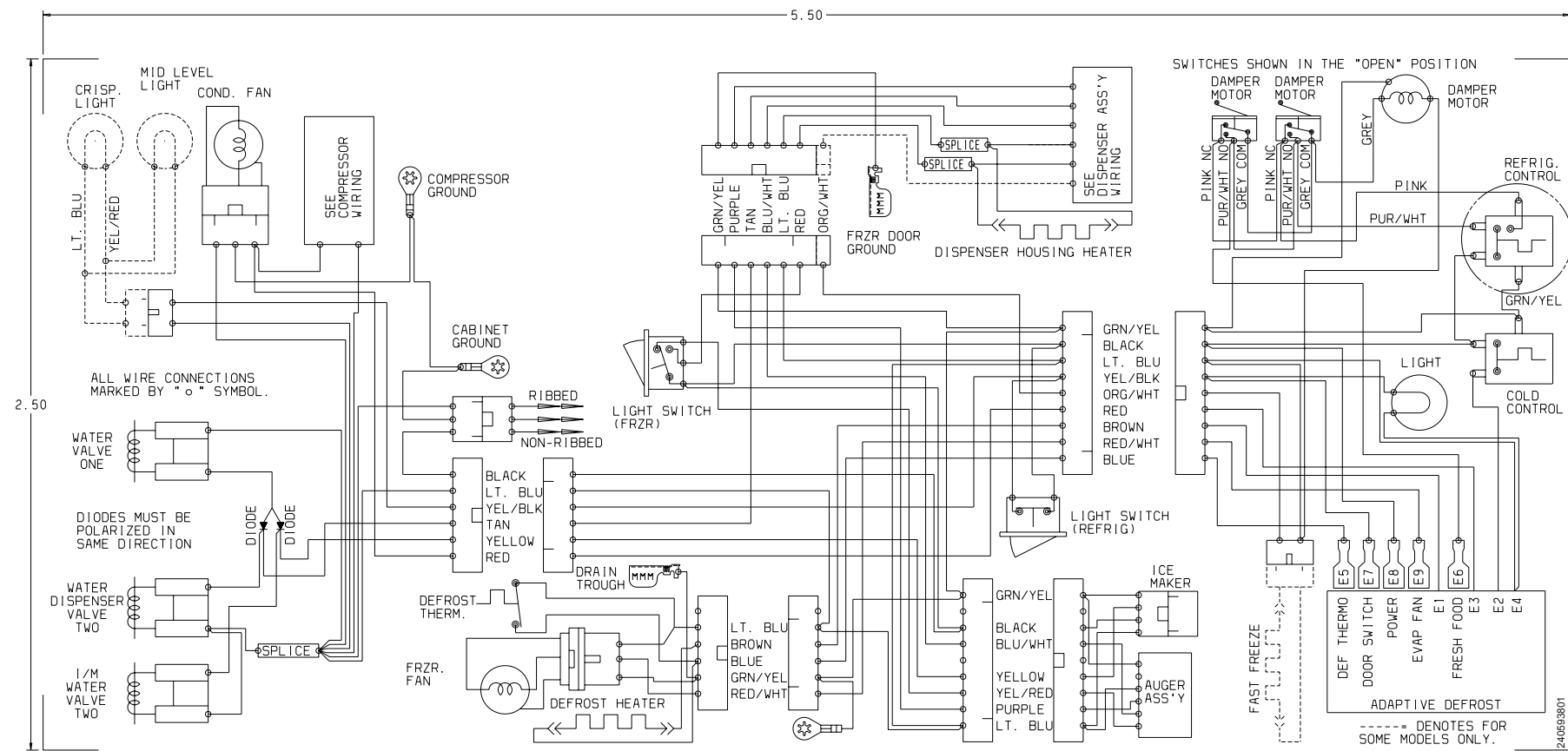
Test Cycling

Remove cover by inserting screwdriver in notch at bottom and prying cover from housing. Use screwdriver to rotate motor gear counterclockwise until holding switch circuit is completed. All components of ice maker should function to complete the cycle.

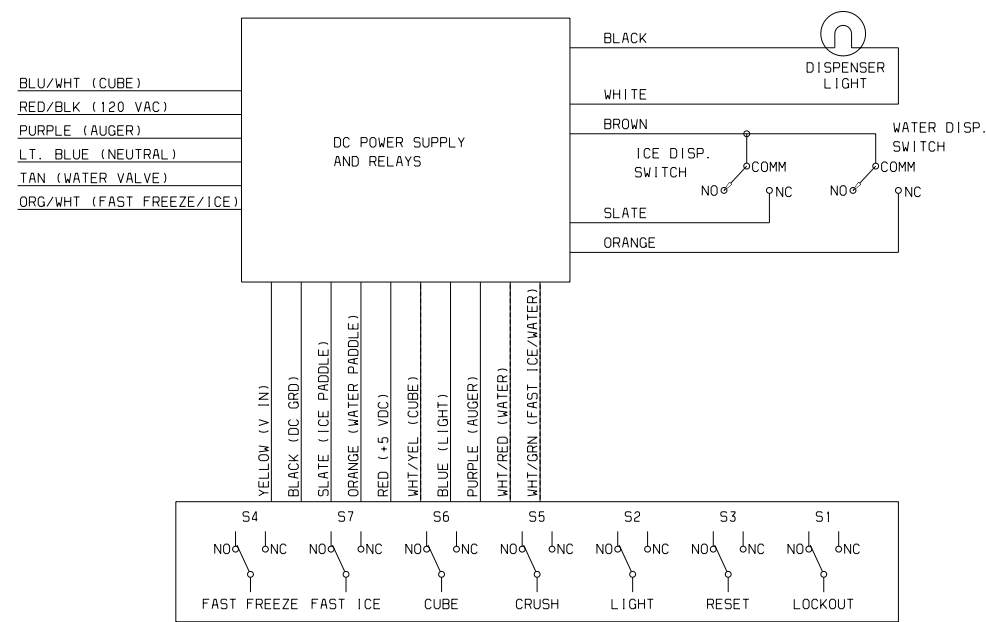
Water Fill Volume

The water fill adjustment screw will change the fill time. One full turn is equal to 20cc (.68 oz.). The correct fill is 102 to 130cc (3.4 to 4.3 oz.). When a water valve is replaced, the fill volume must be checked.

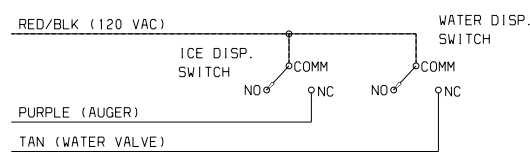




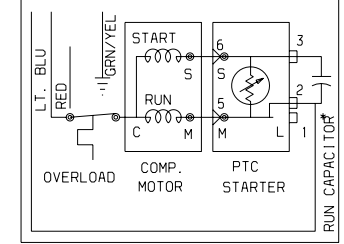
ELECTRONIC DISPENSER



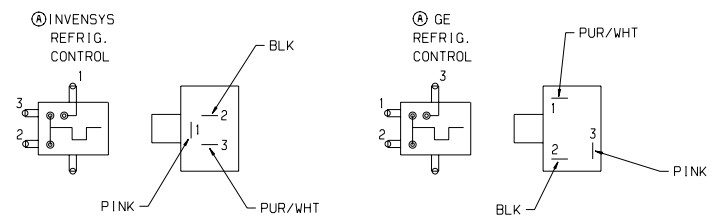
ELECTRO-MECHANICAL DISPENSER



P.T.C. STARTER WITH RUN CAPACITOR



* CAPACITOR IS ONLY USED WITH SOME P.T.C. MODELS.



SERVICE PARTS	23 CUBIC FOOT		26 CUBIC FOOT	
	STANDARD	E-STAR	STANDARD	E-STAR
Compressor Kit *	5303918296	5303918251	5303918254	5303918254
Starter/PTC *	218721124	218721119	218721119	218721119
Run Capacitor *	216787800	216787800	218909901	218909901
Temp. Control-Refr	240448303	240448303	240448303	240448303
Temp. Control-FrZR	5304429602	5304429602	450226-14	450226-14
Timer (if applicable)	N/A	N/A	N/A	N/A
ADC (if applicable)	240554502	240554502	240554502	240554502
Defrost Heater Kit	5303918253	5303918253	5303918253	5303918253
Defrost Thermostat Kit	5303918214	5303918214	5303918214	5303918214
Evaporator Fan Motor	240315803	240315802	240315803	240315802
Condenser Fan Motor	240397101	240334001	240397101	240334002

* Typical compressor kit includes compressor, electrical components, and filter-drier

PERFORMANCE DATA NO LOAD AND NO DOOR OPENINGS AT MID-POINT CONTROL SETTING				
Type A With Run/Start Capacitor	65°F (18°C) Ambient	90°F (32°C) Ambient		
Operating Time	32 to 40%	55 to 65%		
Freezer Temperature	0° to 4°F -18° to -16°C	-1° to 3°F -18° to -16°C		
Refrigerator Temperature	34° to 39°F 1° to 4°C	34° to 39°F 1° to 4°C		
Low Side Pressure (cut-in)	5 to 12 psig 34 to 83 kPa	5 to 12 psig 34 to 83 kPa		
Low Side Pressure (cut-out)	-2 to 2 psig -14 to 14 kPa	-2 to 2 psig -14 to 14 kPa		
High Side Pressure (Last 1/3 of cycle)	90 to 115 psig 621 to 793 kPa	130 to 155 psig 896 to 1069 kPa		
Wattage (Last 1/3 of cycle)	120 to 150	130 to 160		
Amps (Running)	1.2 to 1.5	1.2 to 1.5		
Base Voltage	115 vac (127 vac max)	115 vac (127 vac max)		
DEFROST SPECIFICATIONS				
Cabinet Size	Thermostat		Heater	
	Cut-in	Cut-out	Watts	Ohms
23' & 26'	25°F -4°C	47°F 8°C	450	30
Electronic Timer - (ADC) Defrost 24 minutes every 6 to 72 hours of compressor run time.				
CONDENSER FAN MOTOR				
Watts	RPM	Amps		
7	1100 CW Opposite Shaft	.1 Running		
ICE MAKER SPECIFICATIONS				
Electrical	115 vac (127 vac max)	60 Hertz		
Thermostat	Opens at 48°F (9°C)	Closes at 15°F (-9°C)		
Heater Wattage	165			

ICE MAKER CONNECTOR PLUG CONNECTIONS		
Wire Number	Wire Color	Connects to:
1	Green/Yellow	Ground
2	Yellow	Water Valve
3	Black	Line
4	Lt. Blue	Neutral

SERVICE DATA SHEET - 240389612

R134a

ICE & WATER - AUTOMATIC DEFROST SIDE BY SIDE MODELS

IMPORTANT SAFETY NOTICE

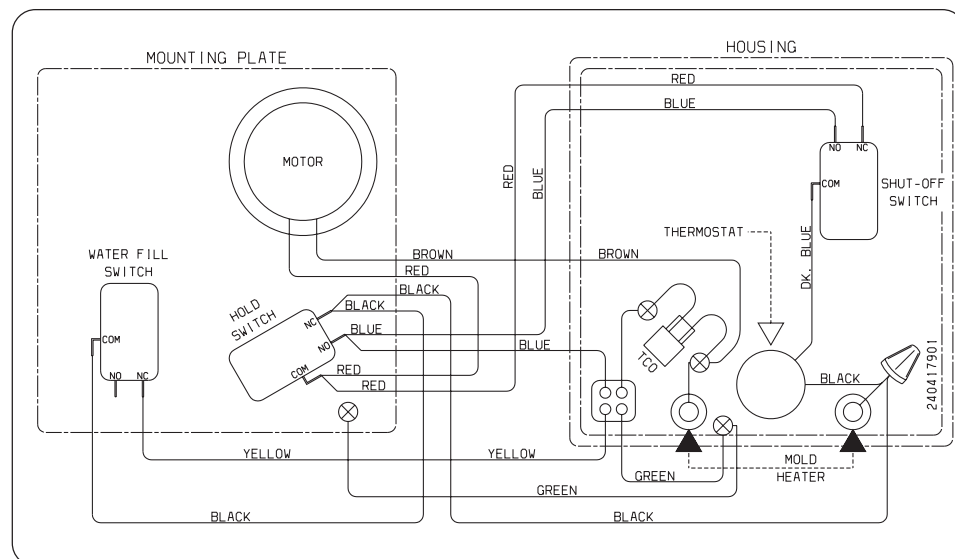
The information provided herein is designed to assist qualified repair personnel only. Untrained persons should not attempt to make repairs due to the possibility of electrical shock. Disconnect power cord before servicing.

IMPORTANT

If any green grounding wires are moved during servicing, they must be returned to their original position and properly secured.

CAUTION: All electrical parts and wiring must be shielded from torch flame. Do not allow torch to contact insulation; it will char at 200°F and flash ignite (burn) at 500°F. Excessive heat will distort the plastic liner.

NOTE: This product comes equipped with an Electronic Defrost Control. To initiate defrost, depress the fresh food light switch 5 times in 6 seconds (light bulb must be working). To terminate defrost, depress the fresh food light switch 5 times in 6 seconds.



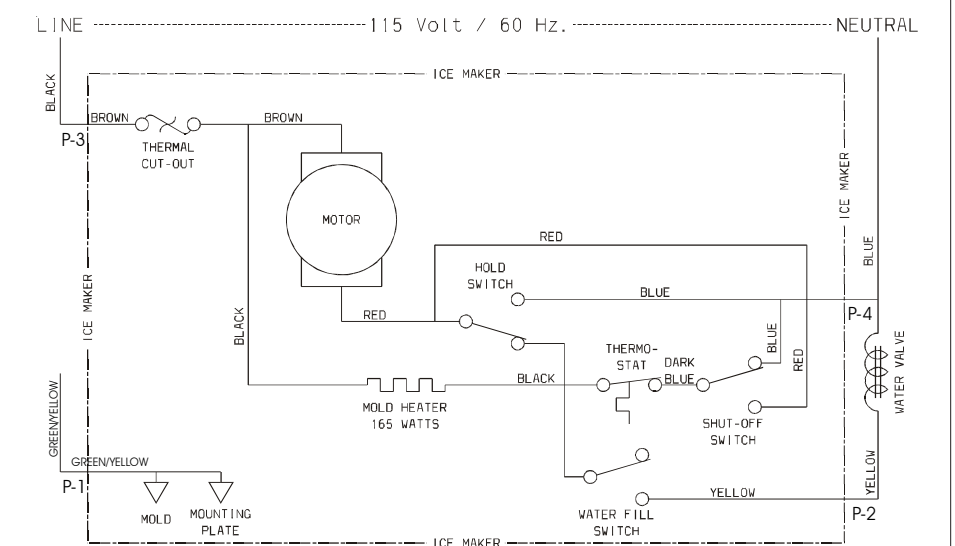
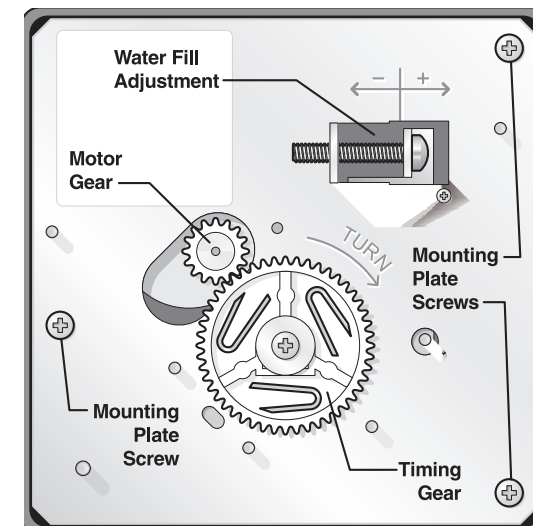
ICE MAKER INFORMATION

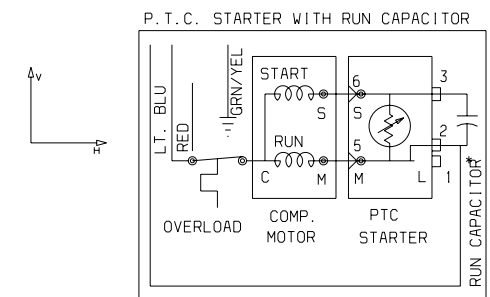
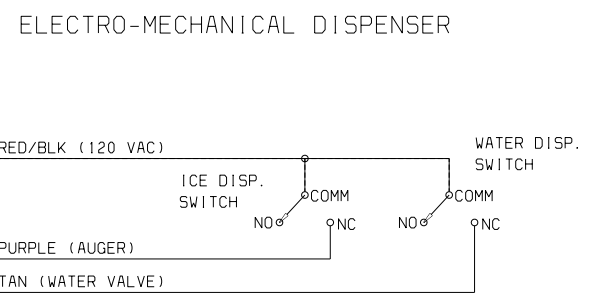
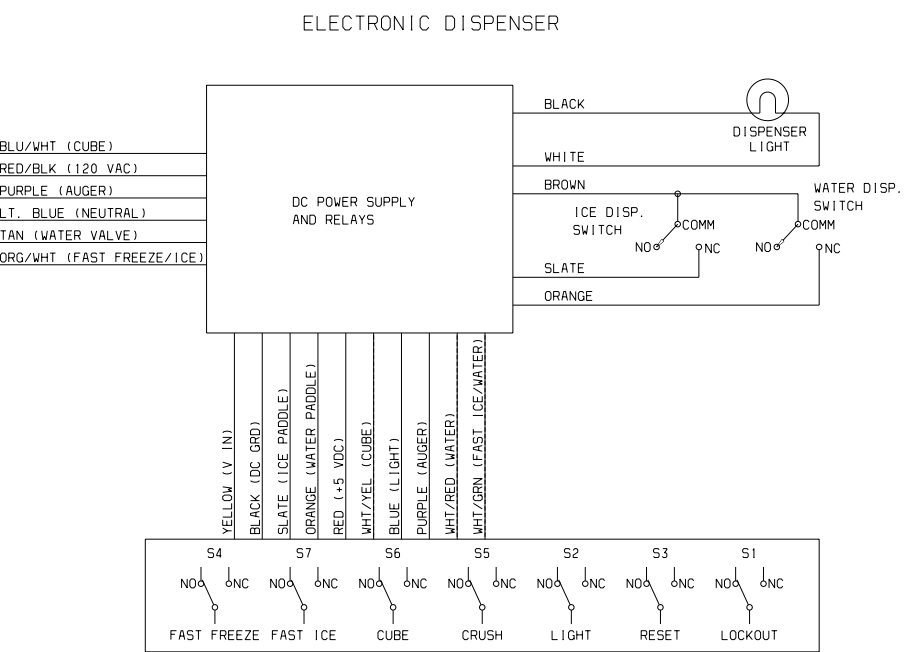
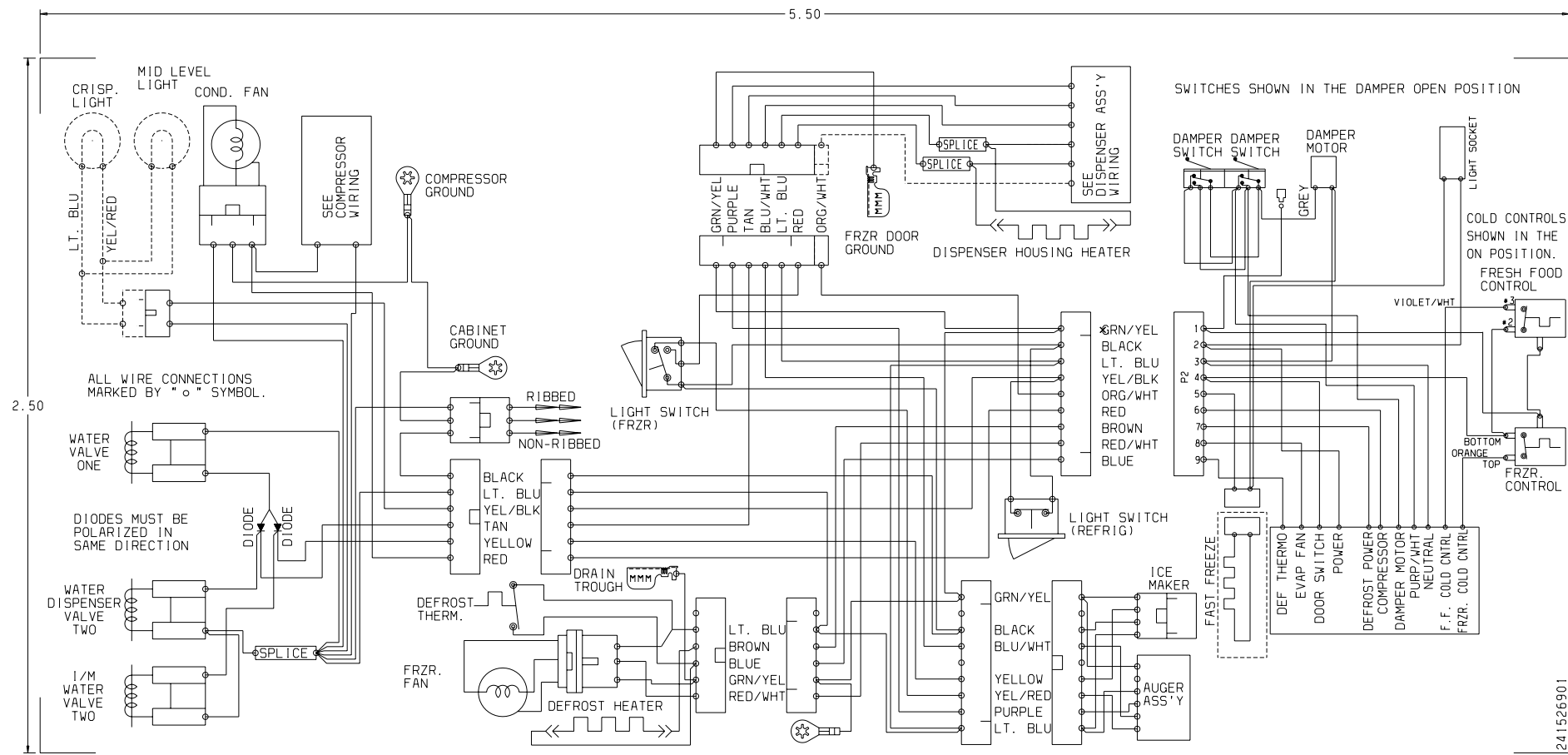
Test Cycling

Remove cover by inserting screwdriver in notch at bottom and prying cover from housing. Use screwdriver to rotate motor gear counterclockwise until holding switch circuit is completed. All components of ice maker should function to complete the cycle.

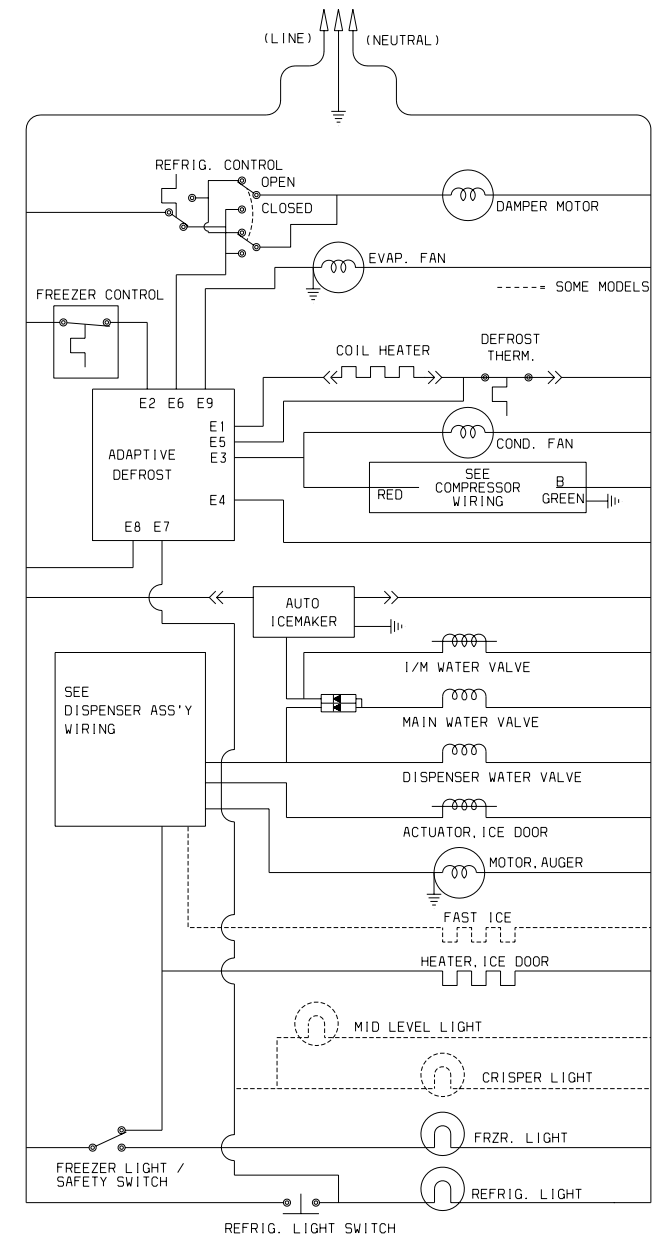
Water Fill Volume

The water fill adjustment screw will change the fill time. One full turn is equal to 20cc (.68 oz.). The correct fill is 102 to 130cc (3.4 to 4.3 oz.). When a water valve is replaced, the fill volume must be checked.





* CAPACITOR IS ONLY USED WITH SOME P. T. C. MODELS.



SERVICE PARTS	23 CUBIC FOOT		26 CUBIC FOOT	
	STANDARD	E-STAR	STANDARD	E-STAR
Compressor Kit *	5303918296	5303918251	5303918254	5303918254
Starter/PTC *	218721124	218721119	218721119	218721119
Run Capacitor *	216787800	216787800	218909901	218909901
Temp. Control-Refr	241507701	241507701	241507701	241507701
Temp. Control-Frzr	450226-07	450226-07	450226-07	450226-07
Timer (if applicable)	N/A	N/A	N/A	N/A
ADC (if applicable)	241508001	241508001	241508001	241508001
Defrost Heater Kit	5303918253	5303918253	5303918253	5303918253
Defrost Thermostat Kit	5303918214	5303918214	5303918214	5303918214
Evaporator Fan Motor	240315803	240315802	240315803	240315802
Condenser Fan Motor	240397101	240334001	240397101	240334002

* Typical compressor kit includes compressor, electrical components, and filter-drier

PERFORMANCE DATA NO LOAD AND NO DOOR OPENINGS AT MID-POINT CONTROL SETTING				
Type A With Run/Start Capacitor	65°F (18°C) Ambient	90°F (32°C) Ambient		
Operating Time	32 to 40%	55 to 65%		
Freezer Temperature	0° to 4°F -18° to -16°C	-1° to 3°F -18° to -16°C		
Refrigerator Temperature	34° to 39°F 1° to 4°C	34° to 39°F 1° to 4°C		
Low Side Pressure (cut-in)	5 to 12 psig 34 to 83 kPa	5 to 12 psig 34 to 83 kPa		
Low Side Pressure (cut-out)	-2 to 2 psig -14 to 14 kPa	-2 to 2 psig -14 to 14 kPa		
High Side Pressure (Last 1/3 of cycle)	90 to 115 psig 621 to 793 kPa	130 to 155 psig 896 to 1069 kPa		
Wattage (Last 1/3 of cycle)	120 to 150	130 to 160		
Amps (Running)	1.2 to 1.5	1.2 to 1.5		
Base Voltage	115 vac (127 vac max)	115 vac (127 vac max)		
DEFROST SPECIFICATIONS				
Cabinet Size	Thermostat		Heater	
	Cut-in	Cut-out	Watts	Ohms
23' & 26'	25°F -4°C	47°F 8°C	450	30
Electronic Timer - (ADC) Defrost 24 minutes every 6 to 72 hours of compressor run time.				
CONDENSER FAN MOTOR				
Watts	RPM	Amps		
7	1100 CW Opposite Shaft	.1 Running		
ICE MAKER SPECIFICATIONS				
Electrical	115 vac (127 vac max)	60 Hertz		
Thermostat	Opens at 48°F (9°C)	Closes at 15°F (-9°C)		
Heater Wattage	165			

ICE MAKER CONNECTOR PLUG CONNECTIONS		
Wire Number	Wire Color	Connects to:
1	Green/Yellow	Ground
2	Yellow	Water Valve
3	Black	Line
4	Lt. Blue	Neutral

SERVICE DATA SHEET - 240389613

R134a

ICE & WATER - AUTOMATIC DEFROST SIDE BY SIDE MODELS

IMPORTANT SAFETY NOTICE

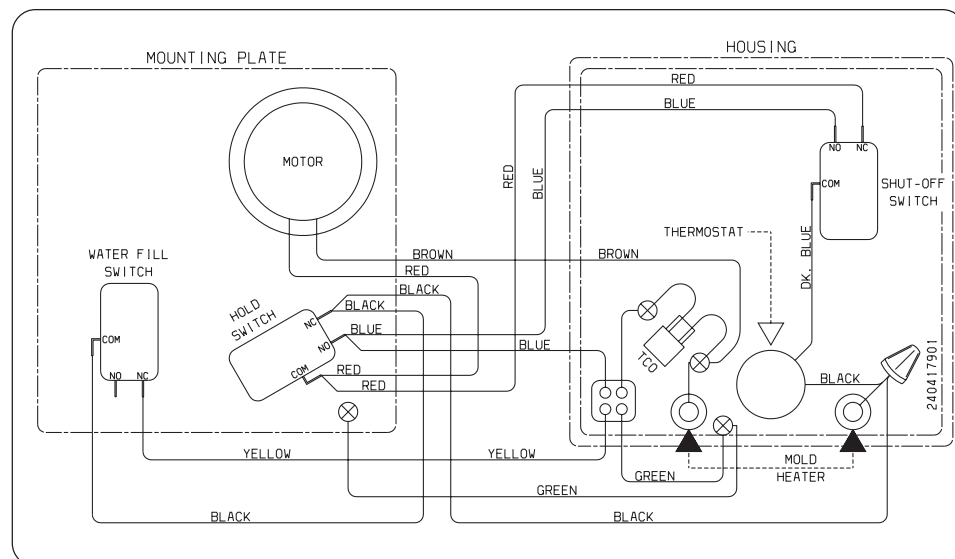
The information provided herein is designed to assist qualified repair personnel only. Untrained persons should not attempt to make repairs due to the possibility of electrical shock. Disconnect power cord before servicing.

IMPORTANT

If any green grounding wires are moved during servicing, they must be returned to their original position and properly secured.

CAUTION: All electrical parts and wiring must be shielded from torch flame. Do not allow torch to contact insulation; it will char at 200°F and flash ignite (burn) at 500°F. Excessive heat will distort the plastic liner.

NOTE: This product comes equipped with an Electronic Defrost Control. To initiate defrost, depress the fresh food light switch 5 times in 6 seconds (light bulb must be working). To terminate defrost, depress the fresh food light switch 5 times in 6 seconds.



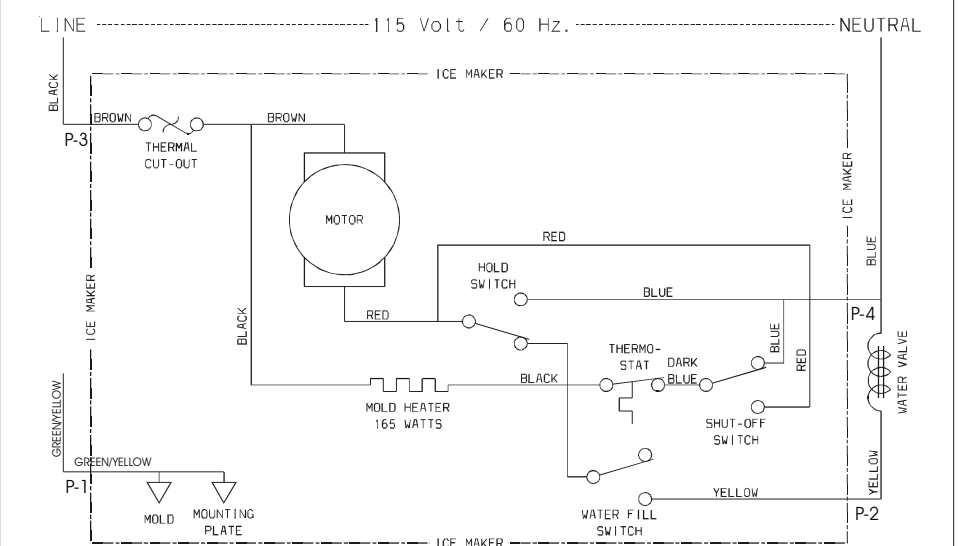
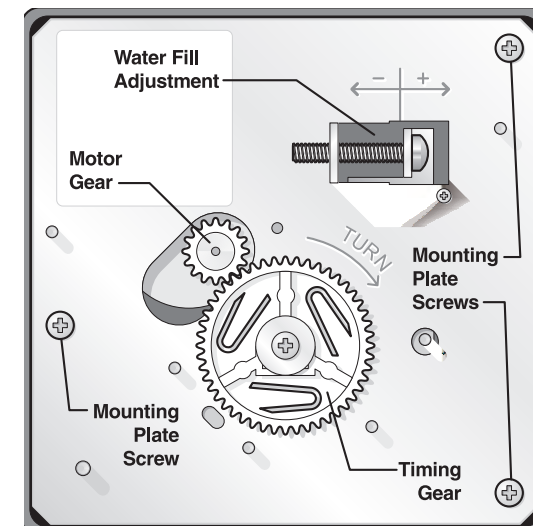
ICE MAKER INFORMATION

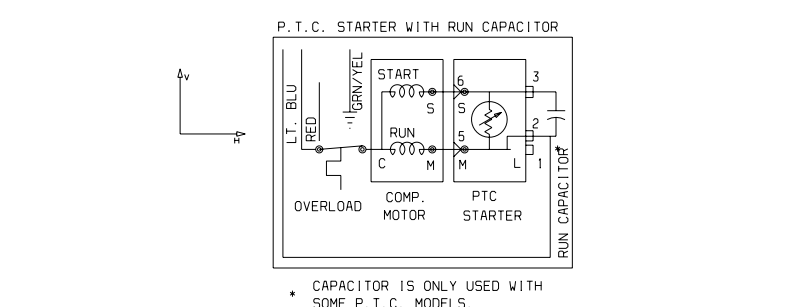
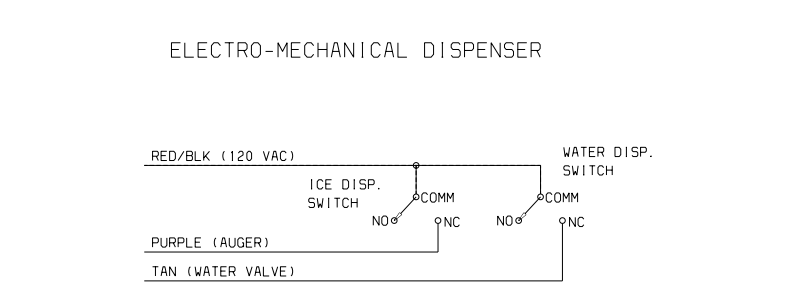
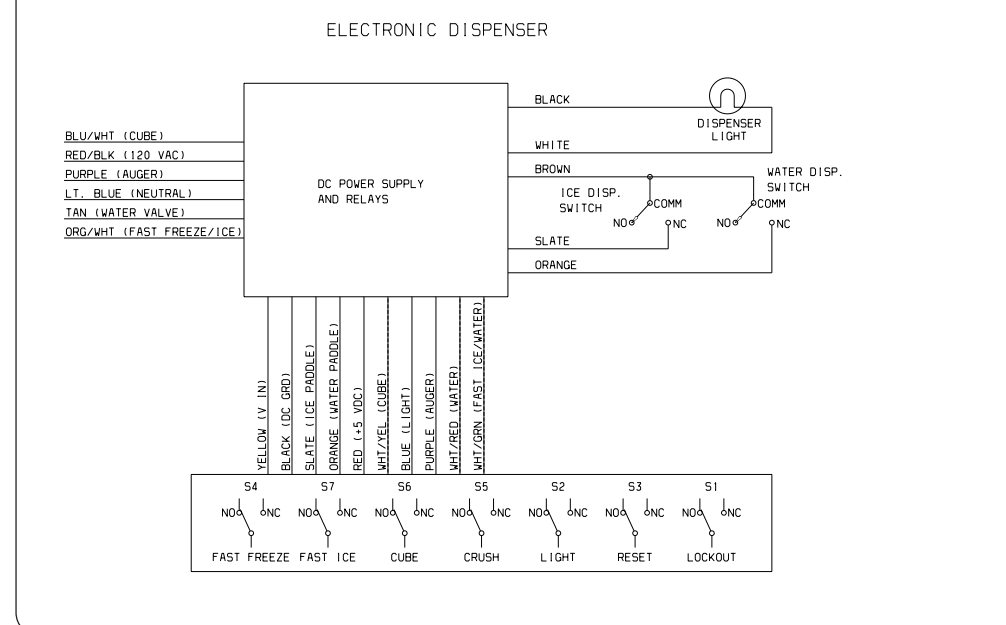
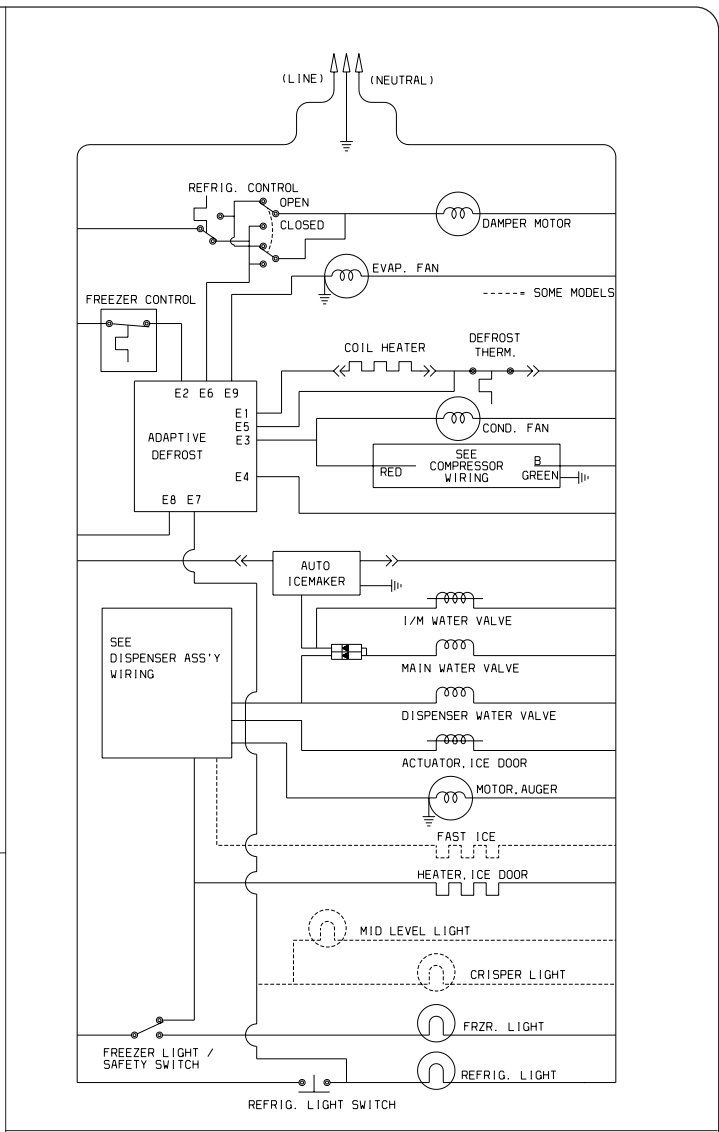
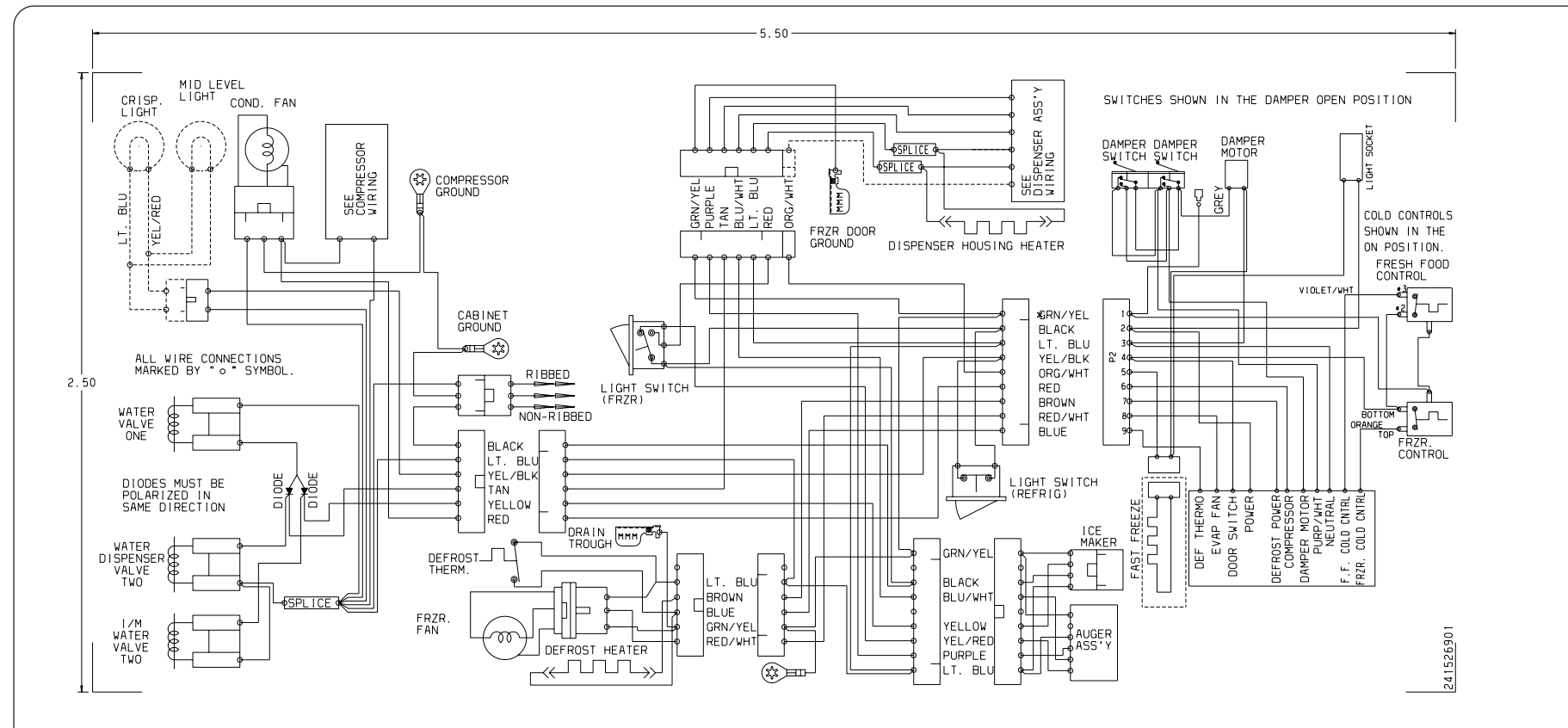
Test Cycling

Remove cover by inserting screwdriver in notch at bottom and prying cover from housing. Use screwdriver to rotate motor gear counterclockwise until holding switch circuit is completed. All components of ice maker should function to complete the cycle.

Water Fill Volume

The water fill adjustment screw will change the fill time. One full turn is equal to 20cc (.68 oz.). The correct fill is 102 to 130cc (3.4 to 4.3 oz.). When a water valve is replaced, the fill volume must be checked.





SERVICE PARTS	23 CUBIC FOOT		26 CUBIC FOOT	
	STANDARD	E-STAR	STANDARD	E-STAR
Compressor Kit *	5303918251	5303918251	5303918254	5303918254
Starter/PTC *	218721119	218721119	218721119	218721119
Run Capacitor *	216787800	216787800	218909901	218909901
Temp. Control-Refr	241507701	241507701	241507701	241507701
Temp. Control-Frizer	450226-07	450226-07	450226-07	450226-07
Timer (if applicable)	N/A	N/A	N/A	N/A
ADC (if applicable)	241508001	241508001	241508001	241508001
Defrost Heater Kit	5303918253	5303918253	5303918253	5303918253
Defrost Thermostat Kit	5303918214	5303918214	5303918214	5303918214
Evaporator Fan Motor	240315803	240315802	240315803	240315802
Condenser Fan Motor	240397101	240334001	240397101	240334002

* Typical compressor kit includes compressor, electrical components, and filter-drier

PERFORMANCE DATA NO LOAD AND NO DOOR OPENINGS AT MID-POINT CONTROL SETTING				
Type A With Run/Start Capacitor	65°F (18°C) Ambient	90°F (32°C) Ambient		
Operating Time	32 to 40%	55 to 65%		
Freezer Temperature	0° to 4°F -18° to -16°C	-1° to 3°F -18° to -16°C		
Refrigerator Temperature	34° to 39°F 1° to 4°C	34° to 39°F 1° to 4°C		
Low Side Pressure (cut-in)	5 to 12 psig 34 to 83 kPa	5 to 12 psig 34 to 83 kPa		
Low Side Pressure (cut-out)	-2 to 2 psig -14 to 14 kPa	-2 to 2 psig -14 to 14 kPa		
High Side Pressure (Last 1/3 of cycle)	90 to 115 psig 621 to 793 kPa	130 to 155 psig 896 to 1069 kPa		
Wattage (Last 1/3 of cycle)	120 to 150	130 to 160		
Amps (Running)	1.2 to 1.5	1.2 to 1.5		
Base Voltage	115 vac (127 vac max)	115 vac (127 vac max)		
DEFROST SPECIFICATIONS				
Cabinet Size	Thermostat		Heater	
	Cut-in	Cut-out	Watts	Ohms
23' & 26'	25°F -4°C	47°F 8°C	450	30
Electronic Timer - (ADC) Defrost 24 minutes every 6 to 72 hours of compressor run time.				
CONDENSER FAN MOTOR				
Watts	RPM	Amps		
7	1100 CW Opposite Shaft	.1 Running		
ICE MAKER SPECIFICATIONS				
Electrical	115 vac (127 vac max)	60 Hertz		
Thermostat	Opens at 48°F (9°C)	Closes at 15°F (-9°C)		
Heater Wattage	165			

ICE MAKER CONNECTOR PLUG CONNECTIONS		
Wire Number	Wire Color	Connects to:
1	Green/Yellow	Ground
2	Yellow	Water Valve
3	Black	Line
4	Lt. Blue	Neutral

SERVICE DATA SHEET - 240389614

R134a

ICE & WATER - AUTOMATIC DEFROST SIDE BY SIDE MODELS

IMPORTANT SAFETY NOTICE

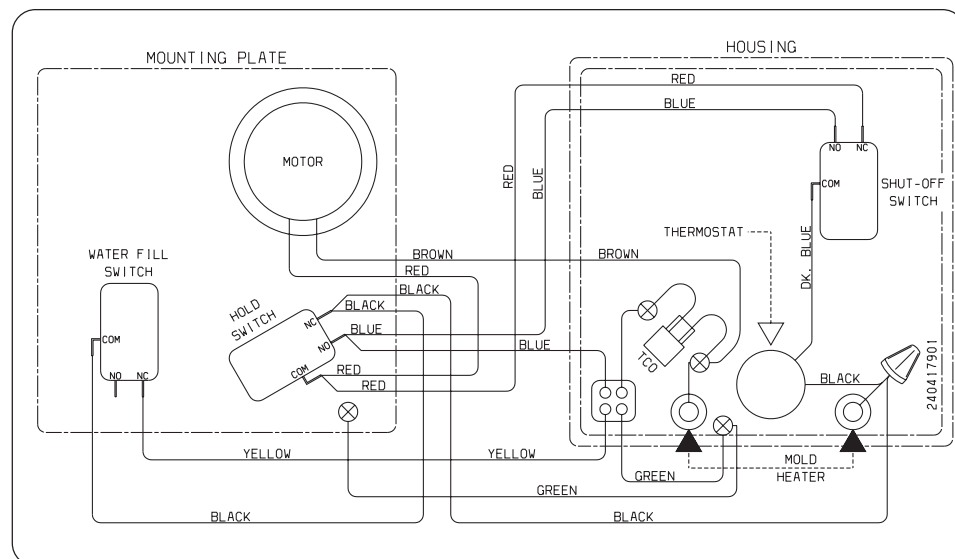
The information provided herein is designed to assist qualified repair personnel only. Untrained persons should not attempt to make repairs due to the possibility of electrical shock. Disconnect power cord before servicing.

IMPORTANT

If any green grounding wires are moved during servicing, they must be returned to their original position and properly secured.

CAUTION: All electrical parts and wiring must be shielded from torch flame. Do not allow torch to contact insulation; it will char at 200°F and flash ignite (burn) at 500°F. Excessive heat will distort the plastic liner.

NOTE: This product comes equipped with an Electronic Defrost Control. To initiate defrost, depress the fresh food light switch 5 times in 6 seconds (light bulb must be working). To terminate defrost, depress the fresh food light switch 5 times in 6 seconds.



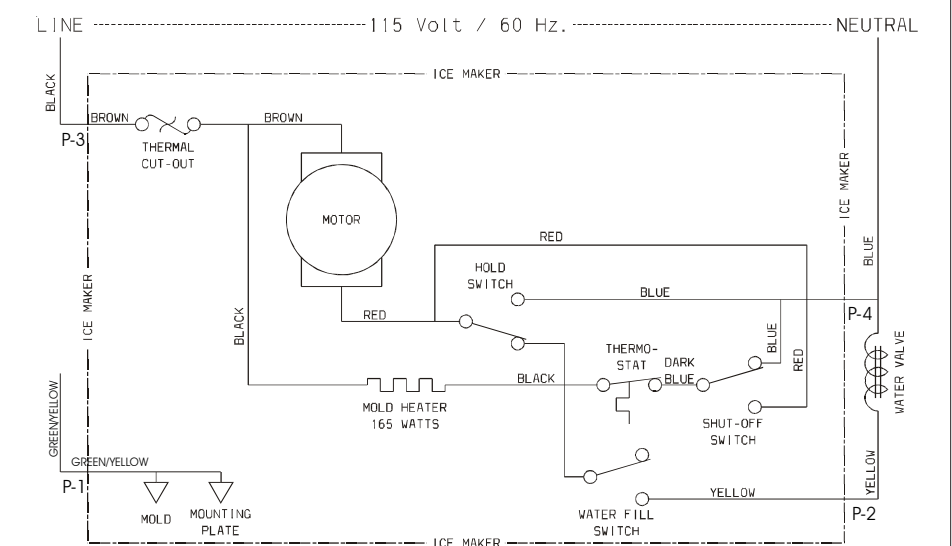
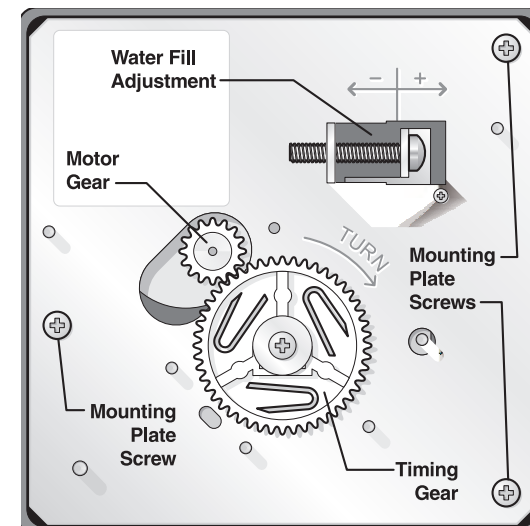
ICE MAKER INFORMATION

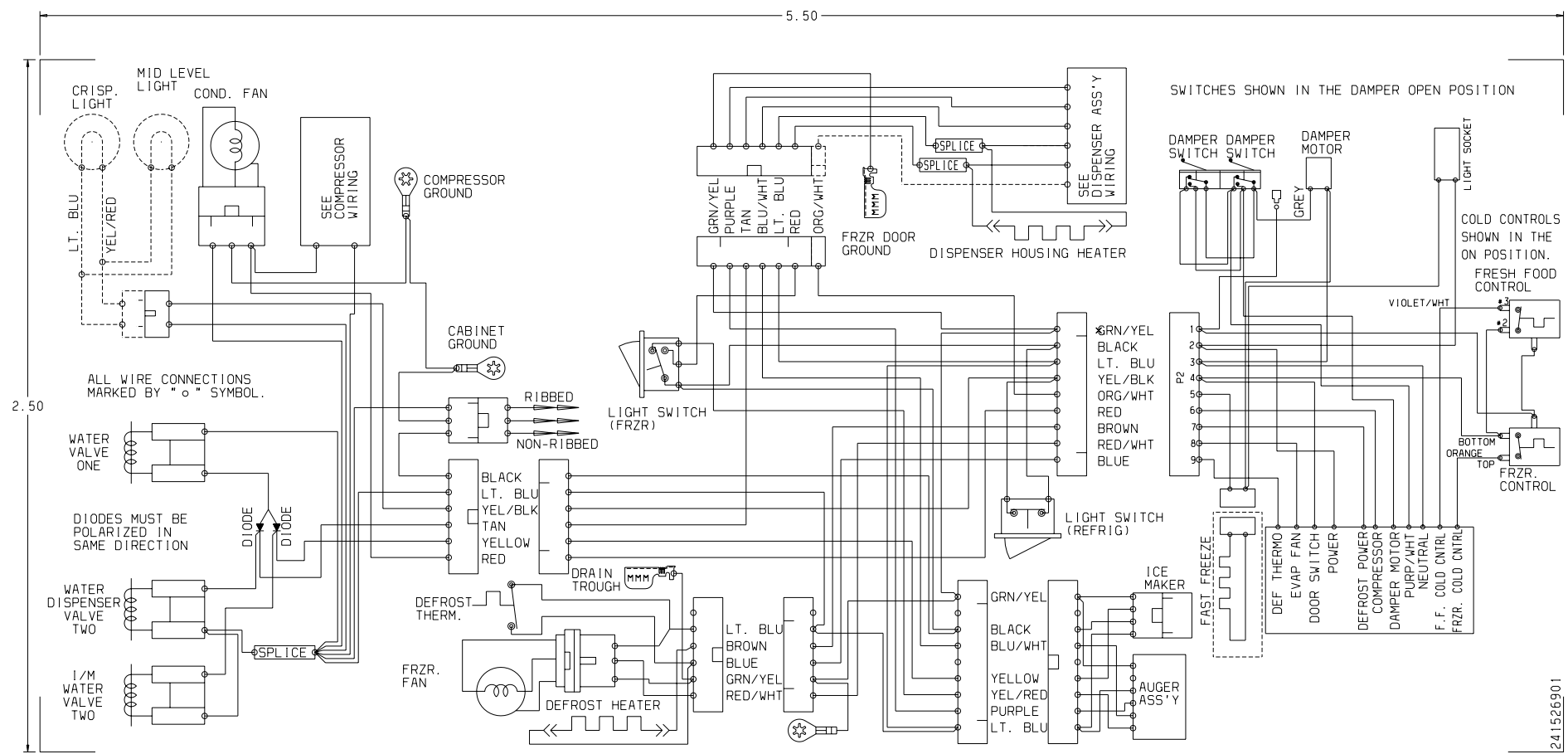
Test Cycling

Remove cover by inserting screwdriver in notch at bottom and prying cover from housing. Use screwdriver to rotate motor gear counterclockwise until holding switch circuit is completed. All components of ice maker should function to complete the cycle.

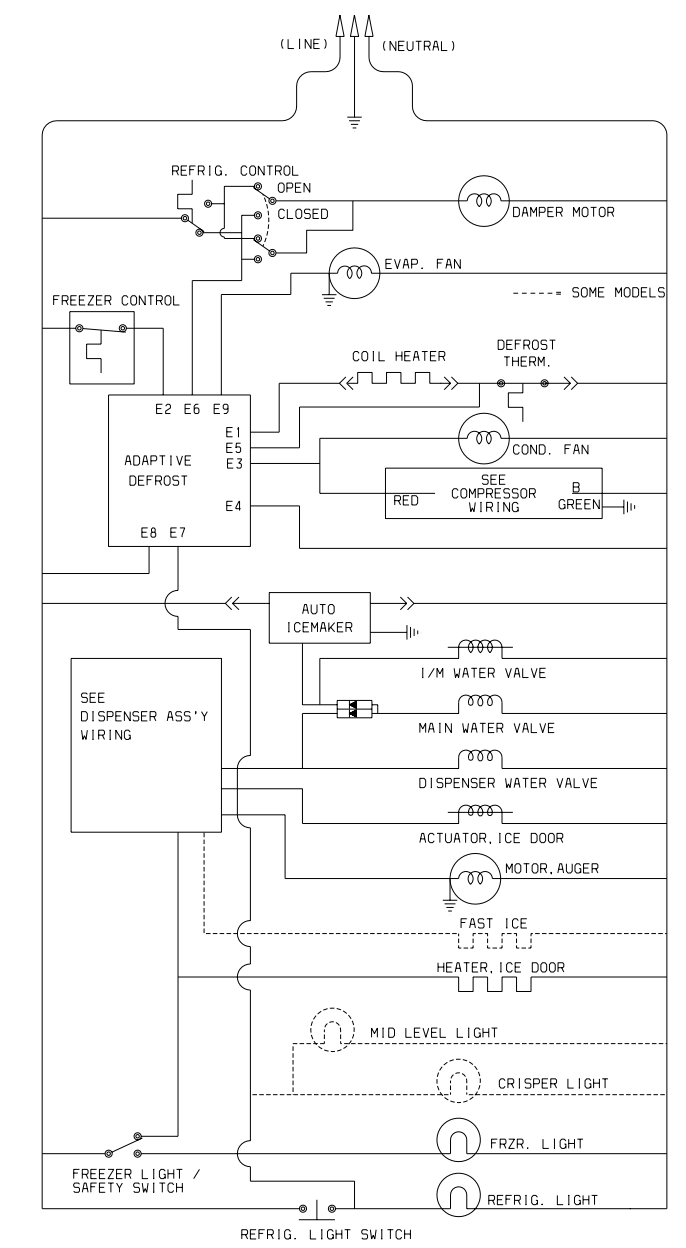
Water Fill Volume

The water fill adjustment screw will change the fill time. One full turn is equal to 20cc (.68 oz.). The correct fill is 102 to 130cc (3.4 to 4.3 oz.). When a water valve is replaced, the fill volume must be checked.

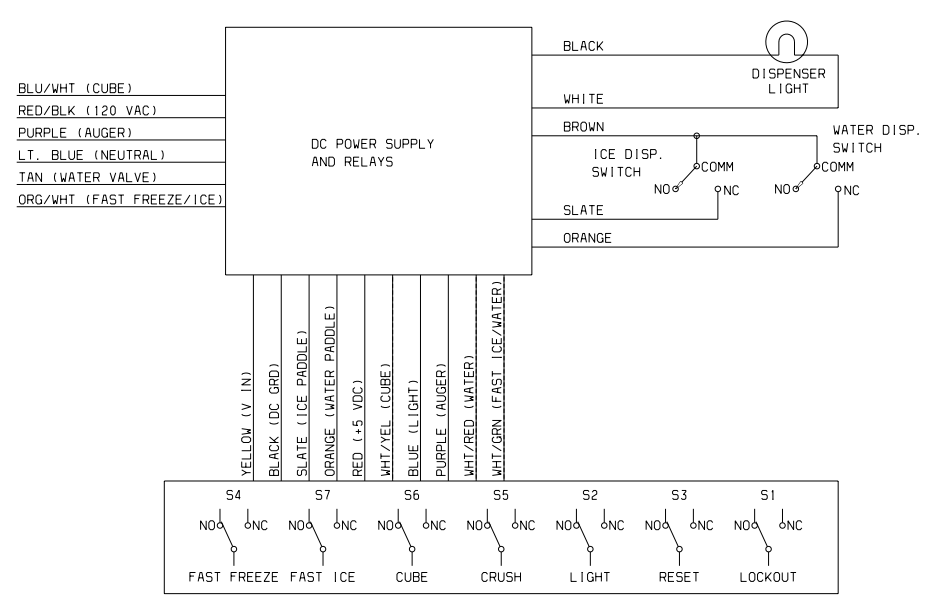




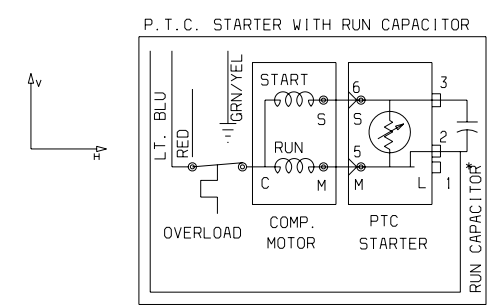
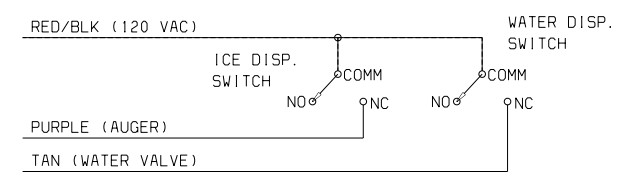
241526901



ELECTRONIC DISPENSER



ELECTRO-MECHANICAL DISPENSER



* CAPACITOR IS ONLY USED WITH SOME P.T.C. MODELS.

SERVICE PARTS	23 CUBIC FOOT		26 CUBIC FOOT	
	STANDARD	E-STAR	STANDARD	E-STAR
Compressor Kit *	5303918251	5303918251	5303918254	5303918254
Starter/PTC *	218721119	218721119	218721119	218721119
Run Capacitor *	216787800	216787800	218909901	218909901
Temp. Control-Refr	241507701	241507701	241507701	241507701
Temp. Control-FrZR	450226-07	450226-07	450226-07	450226-07
Timer (if applicable)	N/A	N/A	N/A	N/A
ADC (if applicable)	241508001	241508001	241508001	241508001
Defrost Heater Kit	5303918253	5303918253	5303918253	5303918253
Defrost Thermostat Kit	5303918214	5303918214	5303918214	5303918214
Evaporator Fan Motor	240315803	240315802	240315803	240315802
Condenser Fan Motor	240397101	240334001	240397101	240334002

* Typical compressor kit includes compressor, electrical components, and filter-drier

PERFORMANCE DATA NO LOAD AND NO DOOR OPENINGS AT MID-POINT CONTROL SETTING				
Type A With Run/Start Capacitor	65°F (18°C) Ambient	90°F (32°C) Ambient		
Operating Time	32 to 40%	55 to 65%		
Freezer Temperature	0° to 4°F -18° to -16°C	-1° to 3°F -18° to -16°C		
Refrigerator Temperature	34° to 39°F 1° to 4°C	34° to 39°F 1° to 4°C		
Low Side Pressure (cut-in)	5 to 12 psig 34 to 83 kPa	5 to 12 psig 34 to 83 kPa		
Low Side Pressure (cut-out)	-2 to 2 psig -14 to 14 kPa	-2 to 2 psig -14 to 14 kPa		
High Side Pressure (Last 1/3 of cycle)	90 to 115 psig 621 to 793 kPa	130 to 155 psig 896 to 1069 kPa		
Wattage (Last 1/3 of cycle)	120 to 150	130 to 160		
Amps (Running)	1.2 to 1.5	1.2 to 1.5		
Base Voltage	115 vac (127 vac max)	115 vac (127 vac max)		
DEFROST SPECIFICATIONS				
Cabinet Size	Thermostat		Heater	
	Cut-in	Cut-out	Watts	Ohms
23' & 26'	25°F -4°C	47°F 8°C	450	30
Electronic Timer - (ADC) Defrost 24 minutes every 6 to 72 hours of compressor run time.				
CONDENSER FAN MOTOR				
Watts	RPM	Amps		
7	1100 CW Opposite Shaft	.1 Running		
ICE MAKER SPECIFICATIONS				
Electrical	115 vac (127 vac max)	60 Hertz		
Thermostat	Opens at 48°F (9°C)	Closes at 15°F (-9°C)		
Heater Wattage	165			

ICE MAKER CONNECTOR PLUG CONNECTIONS		
Wire Number	Wire Color	Connects to:
1	Green/Yellow	Ground
2	Yellow	Water Valve
3	Black	Line
4	Lt. Blue	Neutral

SERVICE DATA SHEET - 240389615

R134a ICE & WATER - AUTOMATIC DEFROST SIDE BY SIDE MODELS

IMPORTANT SAFETY NOTICE

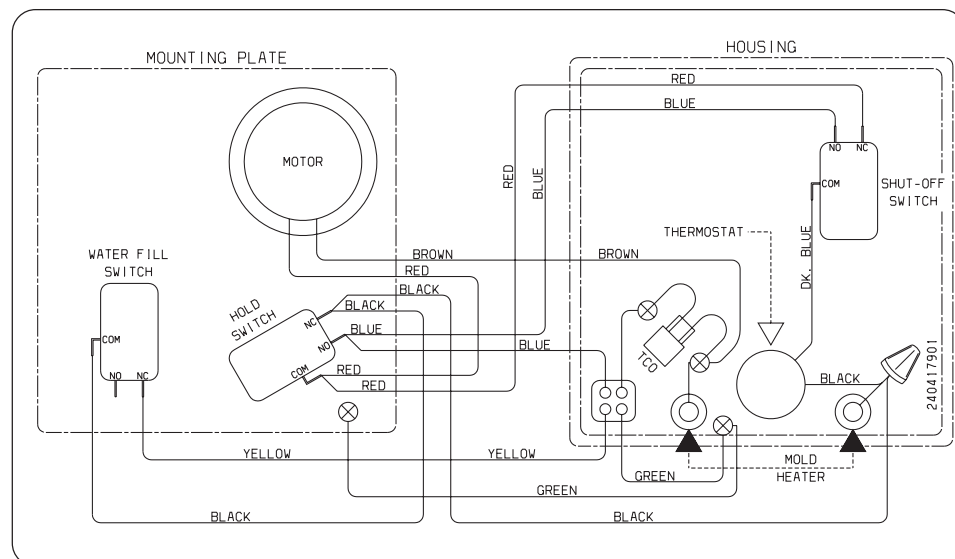
The information provided herein is designed to assist qualified repair personnel only. Untrained persons should not attempt to make repairs due to the possibility of electrical shock. Disconnect power cord before servicing.

IMPORTANT

If any green grounding wires are moved during servicing, they must be returned to their original position and properly secured.

CAUTION: All electrical parts and wiring must be shielded from torch flame. Do not allow torch to contact insulation; it will char at 200°F and flash ignite (burn) at 500°F. Excessive heat will distort the plastic liner.

NOTE: This product comes equipped with an Electronic Defrost Control. To initiate defrost, depress the fresh food light switch 5 times in 6 seconds (light bulb must be working). To terminate defrost, depress the fresh food light switch 5 times in 6 seconds.



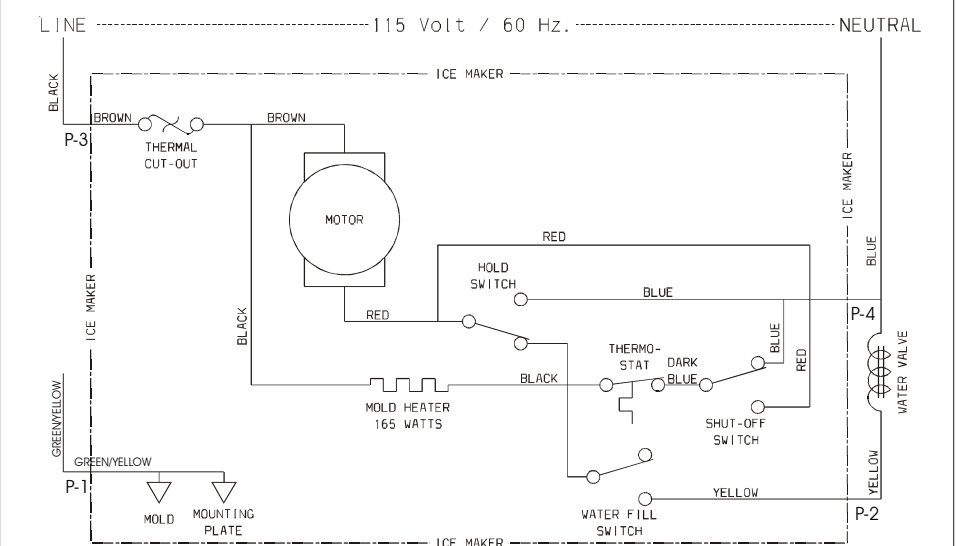
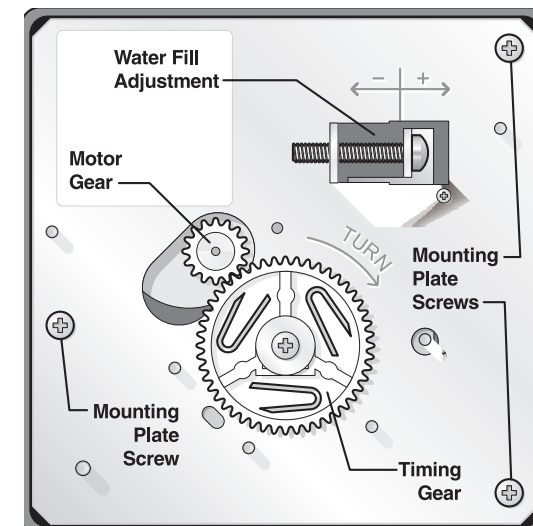
ICE MAKER INFORMATION

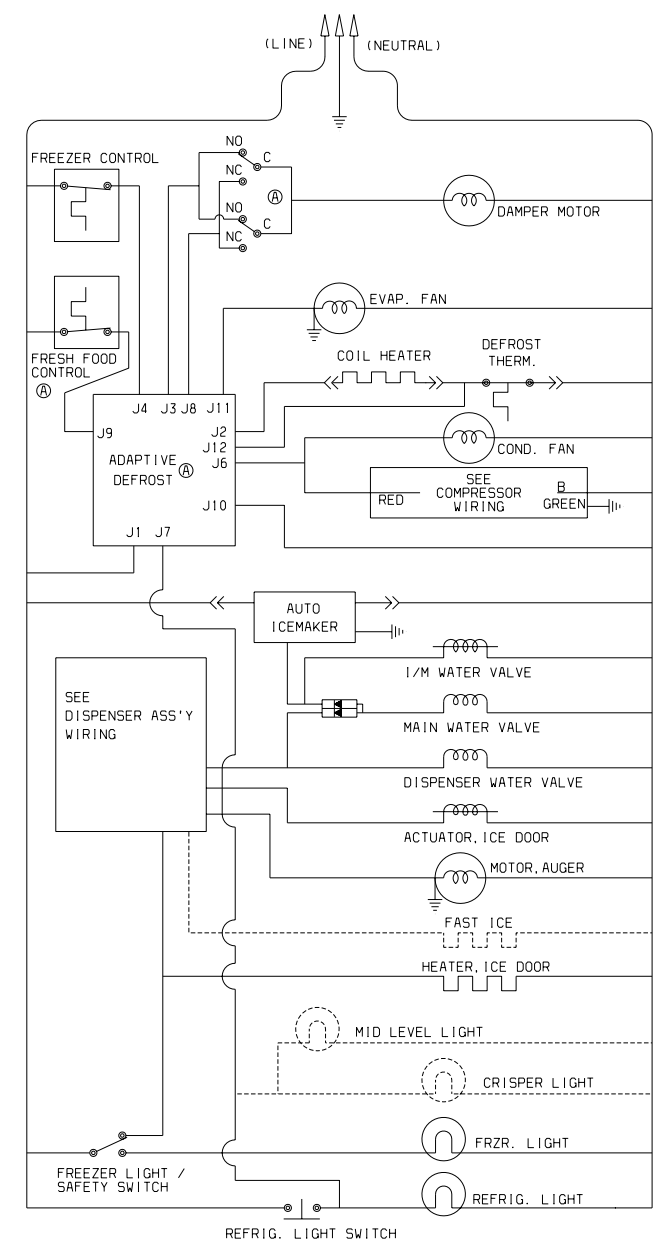
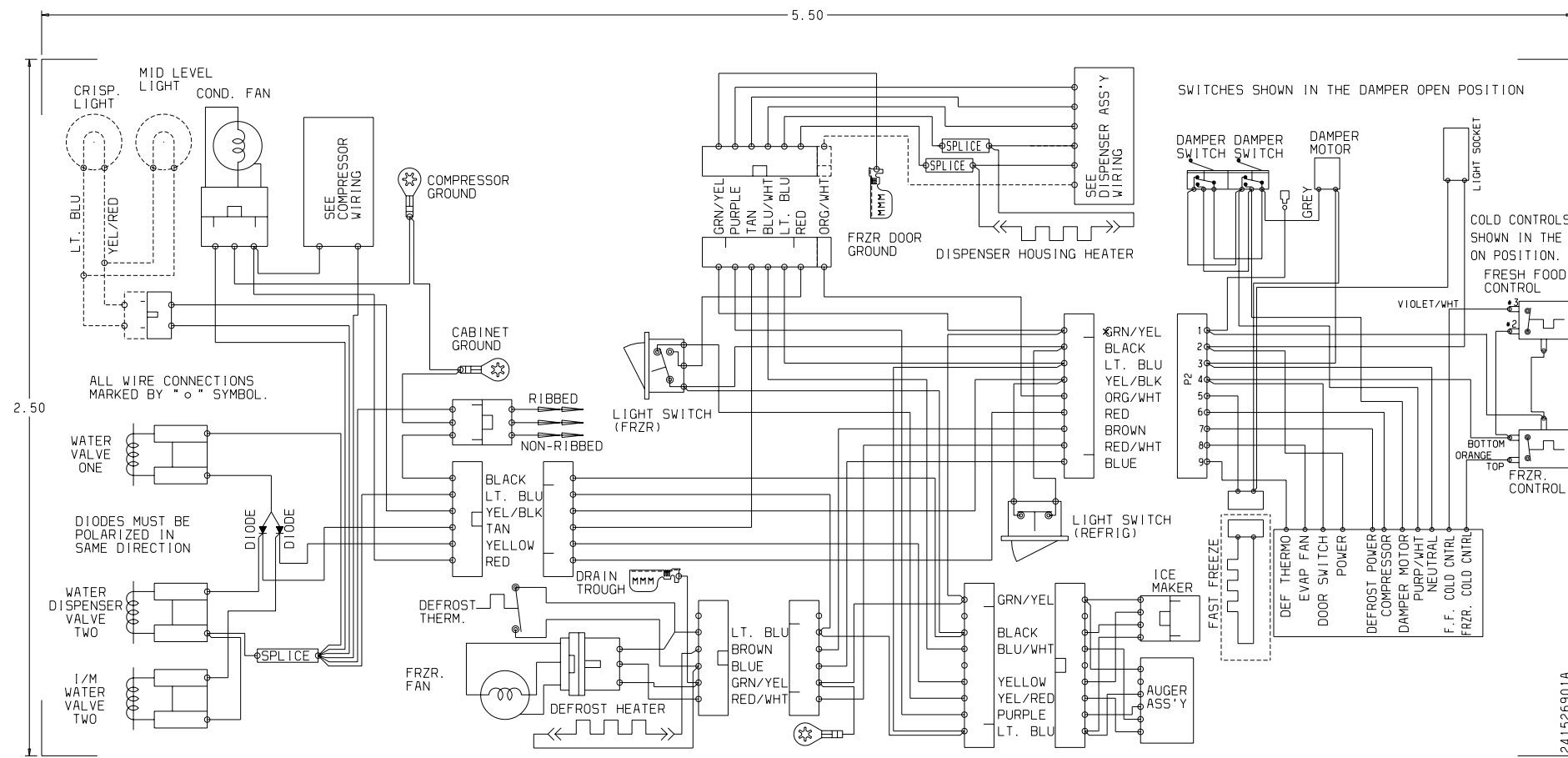
Test Cycling

Remove cover by inserting screwdriver in notch at bottom and prying cover from housing. Use screwdriver to rotate motor gear counterclockwise until holding switch circuit is completed. All components of ice maker should function to complete the cycle.

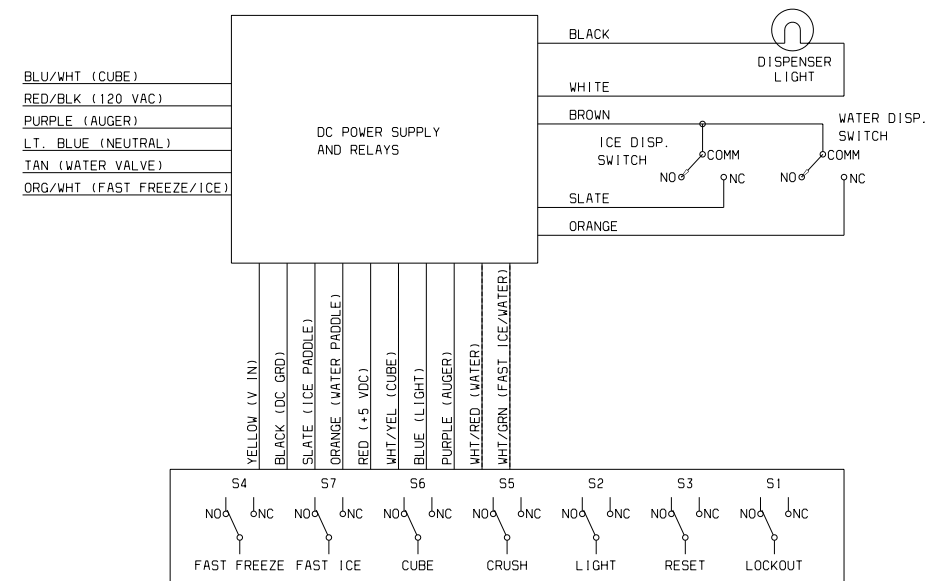
Water Fill Volume

The water fill adjustment screw will change the fill time. One full turn is equal to 20cc (.68 oz.). The correct fill is 102 to 130cc (3.4 to 4.3 oz.). When a water valve is replaced, the fill volume must be checked.

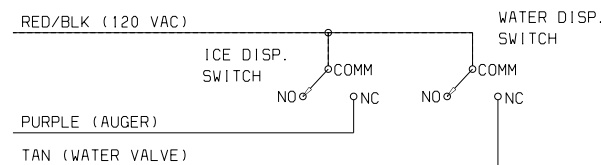




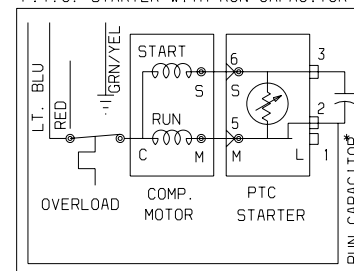
ELECTRONIC DISPENSER



ELECTRO-MECHANICAL DISPENSER



P. T. C. STARTER WITH RUN CAPACITOR



* CAPACITOR IS ONLY USED WITH SOME P. T. C. MODELS.

SERVICE PARTS	23 CUBIC FOOT		26 CUBIC FOOT	
	STANDARD	E-STAR	STANDARD	E-STAR
Compressor Kit *	5303918251	5303918299	5303918254	5303918298
Starter/PTC/TSD *	218721119	241527802	218721119	241527801
Run Capacitor *	218909912	218909915	218909912	218909915
Temp. Control-Refr	241507701	241507701	241507701	241507701
Temp. Control-Frzer	450226-07	450226-07	450226-07	450226-07
Timer (if applicable)	N/A	N/A	N/A	N/A
ADC (if applicable)	241508001	241508001	241508001	241508001
Defrost Heater Kit	5303918253	5303918253	5303918253	5303918253
Defrost Thermostat Kit	5303918214	5303918214	5303918214	5303918214
Evaporator Fan Motor	240369701	240369701	240369701	241537301
Condenser Fan Motor	240397101	241538001	240397101	241538001

* Typical compressor kit includes compressor, electrical components, and filter-drier



SERVICE DATA SHEET

241532600

ICE & WATER - AUTOMATIC DEFROST COUNTER DEPTH SIDE BY SIDE – R134a

PERFORMANCE DATA NO LOAD AND NO DOOR OPENINGS AT MID-POINT CONTROL SETTING				
Type A with Run/Start Capacitor	85°F (18°C) Ambient		90°F (32°C) Ambient	
Operating Time	32 TO 40%		55 TO 65%	
Freezer Temperature	0° TO 4°F -18° to -16°C		-1° TO 3°F -18° to -16°C	
Refrigerator Temperature	34° TO 39°F 1° to 4°C		34° TO 39°F 1° to 4°C	
Low Side Pressure (cut-in)	5 to 12 psig 34 to 83 kPa		5 to 12 psig 34 to 83 kPa	
Low Side Pressure (cut-out)	-2 to 2 psig -14 to 14 kPa		-2 to 2 psig -14 to 14 kPa	
High Side Pressure (last 1/3 of cycle)	90 to 115 psig 621 to 793 kPa		130 to 155 psig 896 to 1069 kPa	
Wattage (last 1/3 of cycle)	120 to 150		130 to 160	
Amps (running)	1.0 to 1.4		1.1 to 1.5	
Base Voltage	115 vac (127 vac max)		115 vac (127 vac max)	
DEFROST SPECIFICATIONS				
Cabinet Size	Thermostat		Heater	
	Cut-In	Cut-Out	Watts	Ohms
23'	25°F -4°C	47°F 8°C	450	30
Electronic Timer – (ADC) Defrost 24 minutes every 6 to 96 hours of compressor run time.				
CONDENSER FAN MOTOR				
Watts	RPM		Amps	
2.8	950 CW Opposite Shaft		.1 Running	
ICE MAKER SPECIFICATIONS				
Electrical	115 vac (127 vac max)			
Thermostat	Opens at 48°F (9°C)		Closes at 15°F (-9°C)	
Heater Wattage	85			
ICE MAKER CONNECTOR PLUG CONNECTIONS				
Wire Number	Wire Color	Connects to:		
1	Green/Yellow	Ground		
2	Yellow	Water Valve		
3	Black	Line		
4	Light Blue	Neutral		

IMPORTANT

Please return this sheet to it's original location.

IMPORTANT SAFETY NOTICE

The information provided herein is designed to assist qualified repair personnel only. Untrained persons should not attempt to make repairs due to the possibility of Electrical shock. Disconnect power cord before servicing.

IMPORTANT

If any green grounding wires are removed during servicing, they must be returned to their original position position and properly secured.

CAUTION

All electrical parts and wiring must be shielded from torch flame. Do not allow torch to contact insulation; it will char at 200°F and flash ignite (burn) at 500°F. Excessive heat will distort the plastic liner.

NOTE

This product comes equipped with an Adaptive Defrost Control (ADC). To initiate Defrost, depress the Fresh Food light switch 5 times in 6 seconds (light bulb must be working). To terminate defrost, depress the Fresh Food light switch 5 times in 6 seconds.

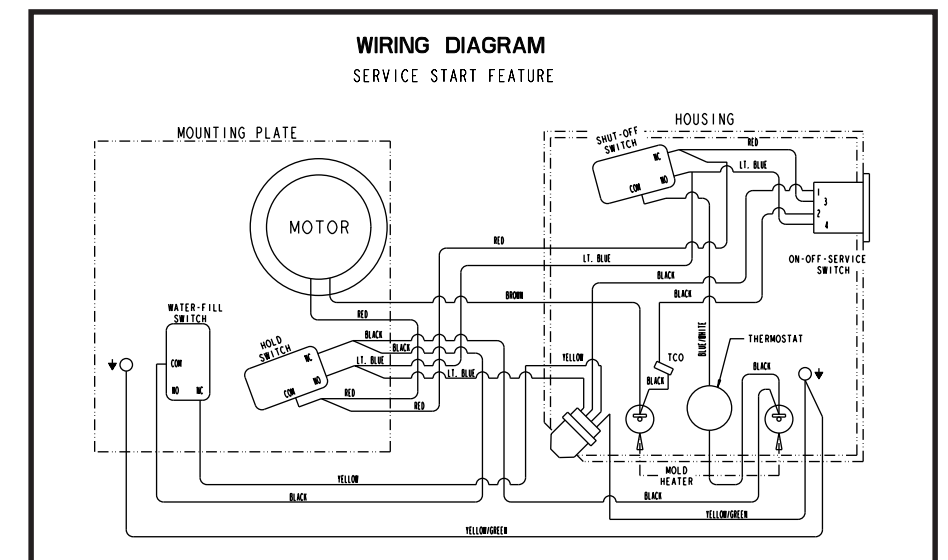
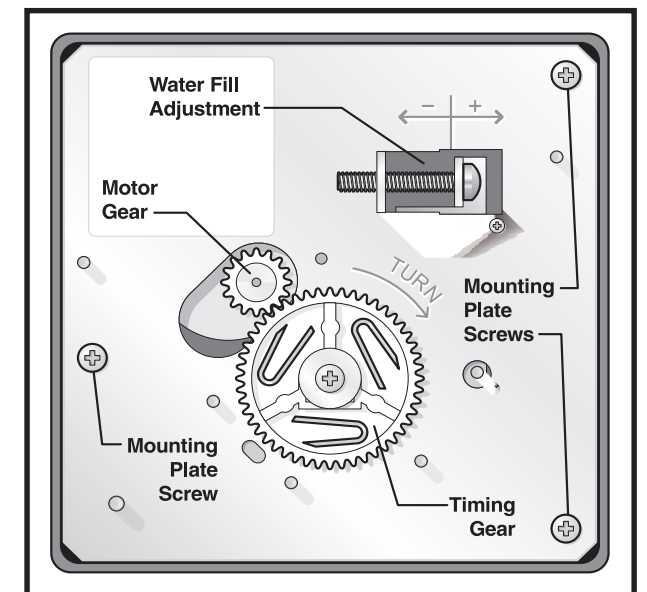
ICE MAKER INFORMATION

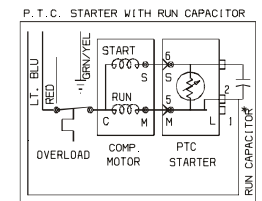
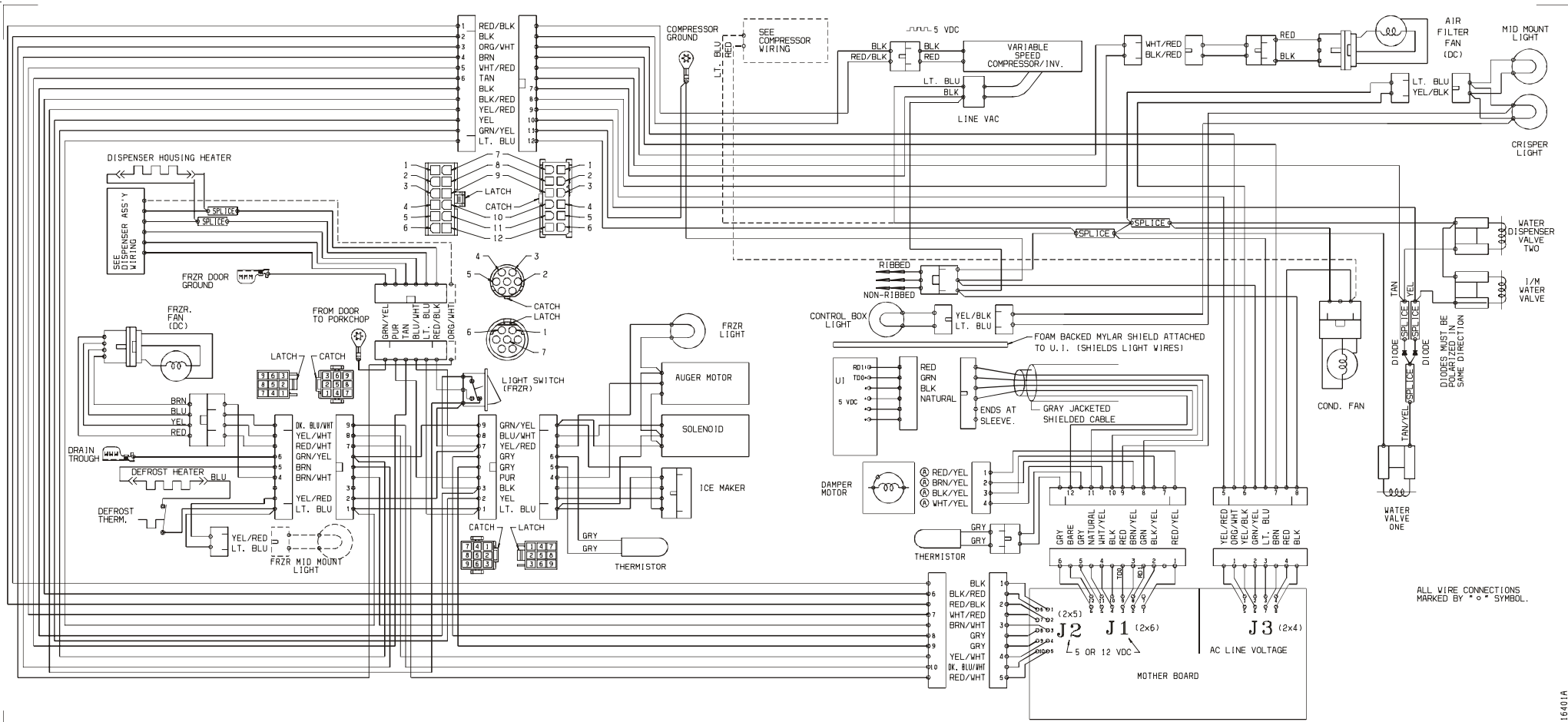
Test Cycling

Remove cover by inserting screwdriver in notch at bottom and prying cover from housing. Use screwdriver to rotate motor gear counterclockwise until *Holding Switch* circuit is completed. All components of ice maker should function to complete the cycle.

Water Fill Volume

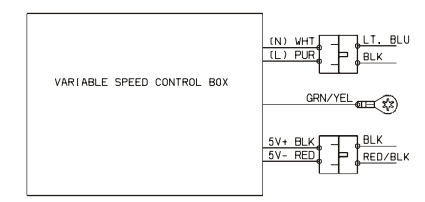
The water fill adjustment screw will change the fill time. One full turn is equal to 20cc (.68 oz.). The correct fill is 102 to 130cc (3.4 to 4.3 oz.). When a water valve is replaced, the fill volume must be checked.





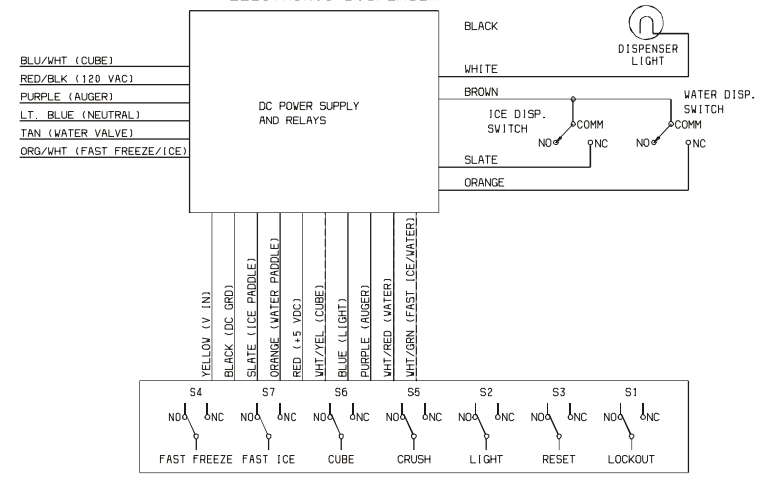
* CAPACITOR IS ONLY USED WITH SOME P.T.C. MODELS.

STANDARD AC COMPRESSOR

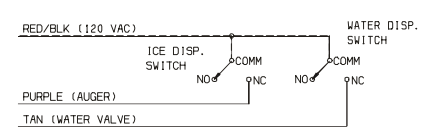


VARIABLE SPEED COMPRESSOR

ELECTRONIC DISPENSER

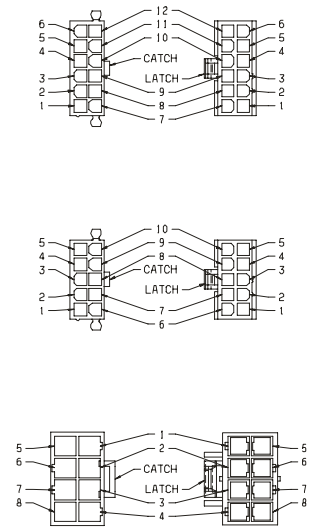
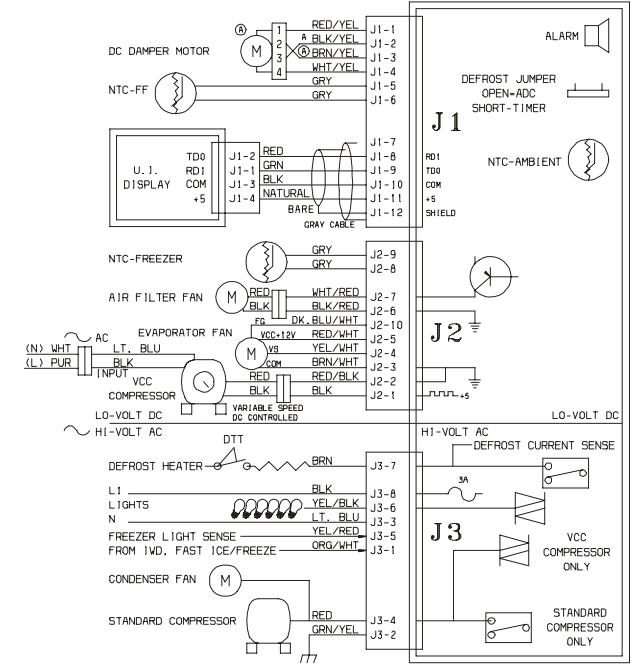


ELECTRO-MECHANICAL D.



SERVICE PARTS	23 CUBIC FOOT STANDARD
Compressor Kit *	5303918298
Starter/PTC *	241527801
Run Capacitor *	218909915
Power Board (Sigma Main)	240596301
Sensor, Temperature	240597201
Damper Assembly	241518401
Defrost Heater Kit	5303918253
Defrost Thermostat Kit	5303918214
Evaporator Fan Motor	241509401
Condenser Fan Motor	241537901

* Typical compressor kit includes compressor, electrical components, and filter-drier



2415151401A