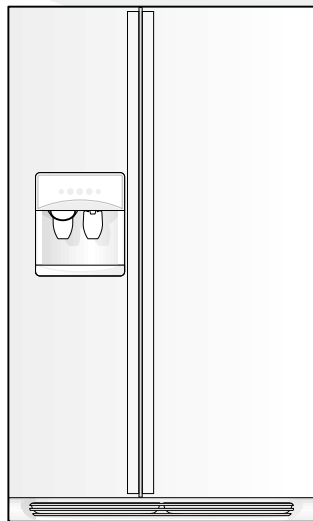




ELECTROLUX HOME PRODUCTS NORTH AMERICA

# *Product Information and Technical Guide*

*Next Generation  
Side by Side and Top Mount Refrigerators  
January 2003 - June 2003*



*Frigidaire*  
Electrolux

**TAPPAN**<sup>®</sup>

**Gibson**<sup>®</sup>

**W** White-Westinghouse<sup>®</sup>

# TABLE OF CONTENTS

<b>Safe Servicing Practices</b> .....	<b>2</b>
<b>Service Data Sheet, Refrigerant Charge &amp; Energy Efficiency Rating Indexes</b> .....	<b>3 - 7</b>
<b>Troubleshooting Guide</b> .....	<b>8 - 12</b>
<b>Appendix A - Service Data Sheets</b>	
240379010 .....	A1 - A2
240389608 .....	A3 - A4
240389609 .....	A5 - A6
240389610 .....	A7 - A8

# SAFE SERVICING PRACTICES - ALL APPLIANCES

To avoid personal injury and/or property damage, it is important that **Safe Servicing Practices** be observed. The following are some limited examples of safe practices:

1. **DO NOT** attempt a product repair if you have any doubts as to your ability to complete it in a safe and satisfactory manner.
2. Before servicing or moving an appliance:
  - Remove the power cord from the electrical outlet, trip the circuit breaker to the OFF position, or remove the fuse.
  - Turn off the gas supply.
  - Turn off the water supply.
3. Never interfere with the proper operation of any safety device.
4. **USE ONLY REPLACEMENT PARTS CATALOGED FOR THIS APPLIANCE. SUBSTITUTIONS MAY DEFEAT COMPLIANCE WITH SAFETY STANDARDS SET FOR HOME APPLIANCES.**
5. **GROUNDING:** The standard color coding for safety ground wires is **GREEN**, or **GREEN** with **YELLOW STRIPES**. Ground leads are not to be used as current carrying conductors. It is **EXTREMELY** important that the service technician reestablish all safety grounds prior to completion of service. Failure to do so will create a hazard.
6. Prior to returning the product to service, ensure that:
  - All electrical connections are correct and secure
  - All electrical leads are properly dressed and secured away from sharp edges, high-temperature components, and moving parts
  - All non-insulated electrical terminals, connectors, heaters, etc. are adequately spaced away from all metal parts and panels
  - All safety grounds (both internal and external) are correctly and securely connected
  - All panels are properly and securely reassembled

## ATTENTION!!!

This service manual is intended for use by persons having electrical and mechanical training and a level of knowledge of these subjects generally considered acceptable in the appliance repair trade. Electrolux Home Products, Inc. cannot be responsible, nor assume any liability, for injury or damage of any kind arising from the use of this manual.

Model Number	Service Data Sheet	Charge	Energy Efficiency Rating	Brand
FRS23BH5CQ0	240389610	5	617	Frigidaire
FRS23BH5CW0	240389610	5	617	Frigidaire
FRS23BH6CB0	240389610	5	617	Frigidaire
FRS23BH6CS0	240389610	5	617	Frigidaire
FRS23F4CB0	240389610	5	686	Frigidaire
FRS23F4CQ0	240389610	5	686	Frigidaire
FRS23F4CW0	240389610	5	686	Frigidaire
FRS23F5AW7	240389610	5	686	Frigidaire
FRS23H5ASB6	240389608	5	617	Frigidaire
FRS23H5ASB7	240389610	5	617	Frigidaire
FRS23H7CB0	240389610	5	617	Frigidaire
FRS23H7CQ0	240389610	5	617	Frigidaire
FRS23H7CSB0	240389610	5	617	Frigidaire
FRS23H7CW0	240389610	5	617	Frigidaire
FRS23KF5CB0	240389610	5	686	Frigidaire
FRS23KF5CQ0	240389610	5	686	Frigidaire
FRS23KF5CW0	240389610	5	686	Frigidaire
FRS23KF6CB0	240389610	5	617	Frigidaire
FRS23KF6CQ0	240389610	5	617	Frigidaire
FRS23KF6CW0	240389610	5	617	Frigidaire
FRS23KF7AB7	240389610	5	686	Frigidaire
FRS23KF7AQ7	240389610	5	686	Frigidaire
FRS23KF7AW7	240389610	5	686	Frigidaire
FRS23KR4AB7	240389609	5	686	Frigidaire
FRS23KR4AQ7	240389609	5	686	Frigidaire
FRS23KR4AW7	240389609	5	686	Frigidaire
FRS23R4AB7	240389608	5	686	Frigidaire
FRS23R4AQ7	240389608	5	686	Frigidaire
FRS23R4AW9	240389608	5	686	Frigidaire
FRS23R4CB0	240389610	5	686	Frigidaire
FRS23R4CQ0	240389610	5	686	Frigidaire
FRS23R4CW0	240389610	5	686	Frigidaire
FRS23W3AQ7	240389610	5	686	Frigidaire
FRS23W3AW7	240389610	5	686	Frigidaire
FRS26BH5CQ0	240389610	5.25	654	Frigidaire
FRS26BH5CW0	240389610	5.25	654	Frigidaire
FRS26BH6CB0	240389610	5.25	654	Frigidaire
FRS26BH6CS0	240389610	5.25	654	Frigidaire
FRS26BH6CS1	240389610	5.25	654	Frigidaire
FRS26BH6CW0	240389610	5.25	654	Frigidaire
FRS26F4CB0	240389610	5.25	727	Frigidaire
FRS26F4CQ0	240389610	5.25	727	Frigidaire
FRS26F4CW0	240389610	5.25	727	Frigidaire
FRS26F5AQ6	240389608	5.25	727	Frigidaire
FRS26F5AW6	240389608	5.25	727	Frigidaire
FRS26H5ASB5	240389608	5.25	654	Frigidaire
FRS26H7CB0	240389610	5.25	654	Frigidaire
FRS26H7CQ0	240389610	5.25	654	Frigidaire
FRS26H7CSB0	240389610	5.25	654	Frigidaire
FRS26H7CW0	240389610	5.25	654	Frigidaire
FRS26HBBSB3	240389608	5.25	654	Frigidaire
FRS26HF5AB5	240389609	5.25	654	Frigidaire
FRS26HF5AQ5	240389609	5.25	654	Frigidaire
FRS26HF5AW5	240389609	5.25	654	Frigidaire

Model Number	Service Data Sheet	Charge	Energy Efficiency Rating	Brand
FRS26HF6BQ2	240389609	5.25	654	Frigidaire
FRS26HF6BW2	240389609	5.25	654	Frigidaire
FRS26HF7BB2	240389609	5.25	654	Frigidaire
FRS26HF7BQ2	240389609	5.25	654	Frigidaire
FRS26HF7BW2	240389609	5.25	654	Frigidaire
FRS26KF5CB0	240389610	5.25	727	Frigidaire
FRS26KF5CQ0	240389610	5.25	727	Frigidaire
FRS26KF5CW0	240389610	5.25	727	Frigidaire
FRS26KF6CB0	240389610	5.25	654	Frigidaire
FRS26KF6CQ0	240389610	5.25	654	Frigidaire
FRS26KF6CW0	240389610	5.25	654	Frigidaire
FRS26KF7AB6	240389608	5.25	727	Frigidaire
FRS26KF7AQ6	240389608	5.25	727	Frigidaire
FRS26KF7AW6	240389608	5.25	727	Frigidaire
FRS26KR4AB6	240389609	5.25	727	Frigidaire
FRS26KR4AQ6	240389609	5.25	727	Frigidaire
FRS26KR4AW6	240389609	5.25	727	Frigidaire
FRS26KR4CB0	240389610	5.25	727	Frigidaire
FRS26KR4CQ0	240389610	5.25	727	Frigidaire
FRS26KR4CW0	240389610	5.25	727	Frigidaire
FRS26KW3AB6	240389609	5.25	727	Frigidaire
FRS26KW3AQ6	240389609	5.25	727	Frigidaire
FRS26KW3AW6	240389609	5.25	727	Frigidaire
FRS26R2AQ5	240389609	5.25	727	Frigidaire
FRS26R2AW5	240389609	5.25	727	Frigidaire
FRS26R4AB7	240389608	5.25	727	Frigidaire
FRS26R4AQ7	240389608	5.25	727	Frigidaire
FRS26R4AW7	240389608	5.25	727	Frigidaire
FRS26R4CB0	240389610	5.25	727	Frigidaire
FRS26R4CQ0	240389610	5.25	727	Frigidaire
FRS26R4CW0	240389610	5.25	727	Frigidaire
FRS26RBCW0	240389610	5.25	727	Frigidaire
FRS26W2AW6	240389609	5.25	727	Frigidaire
FRS26W2BSB3	240389608	5.25	727	Frigidaire
FRT15B1BW0	240389610	4.5	443	Frigidaire
FRT15B3AT3	240389610	4.5	443	Frigidaire
FRT15G5CSB0	240379010	4.25	443	Frigidaire
FRT15G5CSK0	240379010	4.25	443	Frigidaire
FRT15HB3AQ3	240379010	4.25	398	Frigidaire
FRT15HB3AW4	240379010	4.25	398	Frigidaire
FRT15HB3AZ4	240379010	4.25	398	Frigidaire
FRT15IB3AW3	240379010	4.5	443	Frigidaire
FRT15IB3AZ3	240379010	4.5	443	Frigidaire
FRT17A2AZ2	240379010	4.5	460	Frigidaire
FRT17B1BW0	240379010	4.5	460	Frigidaire
FRT17G5CSB0	240379010	4.25	460	Frigidaire
FRT17G5CSK0	240379010	4.25	460	Frigidaire
FRT17HB3CW0	240379010	4.25	414	Frigidaire
FRT185BSB0	240379010	4.25	479	Frigidaire
FRT18B1BW0	240379010	4.5	479	Frigidaire
FRT18B6CB1	240379010	4.25	479	Frigidaire
FRT18FS5AW8	240379010	4.25	479	Frigidaire
FRT18FS6CQ0	240379010	4.25	479	Frigidaire
FRT18FS6CW0	240379010	4.25	479	Frigidaire

Model Number	Service Data Sheet	CHARGE	Energy Efficiency Rating	Brand
FRT18G4AZA	240379010	4.5	479	Frigidaire
FRT18G7CW0	240379010	4.5	479	Frigidaire
FRT18H6CB1	240379010	4.25	431	Frigidaire
FRT18H6CQ1	240379010	4.25	431	Frigidaire
FRT18H6CSB0	240379010	4.25	431	Frigidaire
FRT18H6CSK0	240379010	4.25	431	Frigidaire
FRT18H6CW1	240379010	4.25	431	Frigidaire
FRT18H7CW0	240379010	4.25	431	Frigidaire
FRT18HS6AB1	240379010	4.25	431	Frigidaire
FRT18HS6AQ8	240379010	4.25	431	Frigidaire
FRT18HS6AW8	240379010	4.25	431	Frigidaire
FRT18IB4AQ6	240379010	4.5	479	Frigidaire
FRT18IG4AT6	240379010	4.5	479	Frigidaire
FRT18IG4AZ6	240379010	4.5	479	Frigidaire
FRT18IS6CW0	240379010	4.25	479	Frigidaire
FRT18KB2CW0	240379010	4.5	479	Frigidaire
FRT18KG3CW0	240379010	4.5	479	Frigidaire
FRT18KS5AW8	240379010	4.25	479	Frigidaire
FRT18KS6CQ0	240379010	4.25	479	Frigidaire
FRT18KS6CW0	240379010	4.25	479	Frigidaire
FRT18LR7AQ8	240379010	4.25	431	Frigidaire
FRT18LR7AW8	240379010	4.25	431	Frigidaire
FRT18P6CQ0	240379010	4.25	479	Frigidaire
FRT18P6CW0	240379010	4.25	479	Frigidaire
FRT18R7CW0	240379010	4.25	479	Frigidaire
FRT21BH8CB0	240379010	4.25	458	Frigidaire
FRT21BH8CS0	240379010	4.25	458	Frigidaire
FRT21BH8CW0	240379010	4.25	458	Frigidaire
FRT21FG3CQ0	240379010	4.25	509	Frigidaire
FRT21FG3CW0	240379010	4.25	509	Frigidaire
FRT21FG4CQ0	240379010	4.25	509	Frigidaire
FRT21FG4CW0	240379010	4.25	509	Frigidaire
FRT21FS6CQ0	240379010	4.25	509	Frigidaire
FRT21FS6CW0	240379010	4.25	509	Frigidaire
FRT21G3CQ0	240379010	4.25	509	Frigidaire
FRT21G3CW0	240379010	4.25	509	Frigidaire
FRT21H7ASB3	240379010	4.25	458	Frigidaire
FRT21H7ASK2	240379010	4.25	458	Frigidaire
FRT21H8CB0	240379010	4.25	458	Frigidaire
FRT21H8CQ0	240379010	4.25	458	Frigidaire
FRT21H8CSB0	240379010	4.25	458	Frigidaire
FRT21H8CSK0	240379010	4.25	458	Frigidaire
FRT21H8CW0	240379010	4.25	458	Frigidaire
FRT21H8CZ0	240379010	4.25	458	Frigidaire
FRT21HBBSB1	240379010	4.25	458	Frigidaire
FRT21HR6AB4	240379010	4.25	458	Frigidaire
FRT21HR6AQ4	240379010	4.25	458	Frigidaire
FRT21HR6AW4	240379010	4.25	458	Frigidaire
FRT21HS6AW3	240379010	4.25	458	Frigidaire
FRT21HS6AW4	240379010	4.25	458	Frigidaire
FRT21KG3CQ0	240379010	4.25	509	Frigidaire
FRT21KG3CW0	240379010	4.25	509	Frigidaire
FRT21KG4CQ0	240379010	4.25	509	Frigidaire
FRT21KG4CW0	240379010	4.25	509	Frigidaire

Model Number	Service Data Sheet	CHARGE	Energy Efficiency Rating	Brand
FRT21KS6CQ0	240379010	4.25	509	Frigidaire
FRT21KS6CW0	240379010	4.25	509	Frigidaire
FRT21LR7AB7	240379010	4.25	458	Frigidaire
FRT21LR7AW7	240379010	4.25	458	Frigidaire
FRT21P6CQ0	240379010	4.25	509	Frigidaire
FRT21P6CSB0	240379010	4.25	509	Frigidaire
FRT21P6CSK0	240379010	4.25	509	Frigidaire
FRT21P6CW0	240379010	4.25	509	Frigidaire
GLHS237ZAB6	240389609	5	617	Frigidaire
GLHS237ZAW6	240389609	5	617	Frigidaire
GLHS237ZCW0	240389610	5	617	Frigidaire
GLHS239ZCB0	240389610	5	617	Frigidaire
GLHS239ZCW0	240389610	5	617	Frigidaire
GLHS267ZAB5	240389609	5.25	654	Frigidaire
GLHS267ZAQ5	240389609	5.25	654	Frigidaire
GLHS267ZAW5	240389609	5.25	654	Frigidaire
GLHS269ZCB0	240389610	5.25	654	Frigidaire
GLHS269ZCQ0	240389610	5.25	654	Frigidaire
GLHS269ZCW0	240389610	5.25	654	Frigidaire
GLHS280ZAB6	240389609	5.25	654	Frigidaire
GLHS280ZAQ6	240389609	5.25	654	Frigidaire
GLHS280ZAW6	240389609	5.25	654	Frigidaire
GLHT184RAQ8	240379010	4.25	431	Frigidaire
GLHT186TAW6	240379010	4.25	431	Frigidaire
GLHT186TAW8	240379010	4.25	431	Frigidaire
GLHT214RAW4	240379010	4.25	458	Frigidaire
GLHT216TAW3	240379010	4.25	458	Frigidaire
GLHT216TAW4	240379010	4.25	458	Frigidaire
GLRS237ZAB7	240389609	5	686	Frigidaire
GLRS237ZAQ7	240389609	5	686	Frigidaire
GLRS237ZAW7	240389609	5	686	Frigidaire
GLRS237ZCB0	240389610	5	686	Frigidaire
GLRS237ZCQ0	240389610	5	686	Frigidaire
GLRS237ZCW0	240389610	5	686	Frigidaire
GLRS264ZAB6	240389609	5.25	727	Frigidaire
GLRS264ZAQ6	240389609	5.25	727	Frigidaire
GLRS264ZAW6	240389609	5.25	727	Frigidaire
GLRS267ZAB6	240389610	5.25	727	Frigidaire
GLRS267ZAQ6	240389610	5.25	727	Frigidaire
GLRS267ZAW6	240389610	5.25	727	Frigidaire
GLRS267ZCB0	240389610	5.25	727	Frigidaire
GLRS267ZCQ0	240389610	5.25	727	Frigidaire
GLRS267ZCW0	240389610	5.25	727	Frigidaire
GLRT184TCB1	240379010	4.25	479	Frigidaire
GLRT184TCQ0	240379010	4.25	479	Frigidaire
GLRT184TCW0	240379010	4.25	479	Frigidaire
GLRT214TCB0	240379010	4.25	509	Frigidaire
GLRT214TCQ0	240379010	4.25	509	Frigidaire
GLRT214TCW0	240379010	4.25	509	Frigidaire
GRS23F5AQ6	240389609	5	686	Gibson
GRS23F5AW6	240389609	5	686	Gibson
GRS26F5AW6	240389609	5.25	727	Gibson
GRT15C2AW3	240389610	4.25	443	Gibson
GRT21G3CQ0	240389610	4.25	509	Gibson

Model Number	Service Data Sheet	CHARGE	Energy Efficiency Rating	Brand
GRT21G3CW0	240389610	4.25	509	Gibson
GRT21R6AQ5	240389609	4.25	509	Gibson
GRT21S6CQ0	240389610	4.25	509	Gibson
GRT21S6CW0	240389610	4.25	509	Gibson
GS18HTZBQ6	240379010	4.25	431	Frigidaire
GS18HTZBW6	240379010	4.25	431	Frigidaire
GS18HTZCQ0	240379010	4.25	431	Frigidaire
GS18HTZCSB0	240379010	4.25	431	Frigidaire
GS18HTZCSK0	240379010	4.25	431	Frigidaire
GS18HTZCW0	240379010	4.25	431	Frigidaire
GS21HTZBB1	240379010	4.25	458	Frigidaire
GS21HTZBC1	240379010	4.25	458	Frigidaire
GS21HTZBK2	240379010	4.25	458	Frigidaire
GS21HTZBQ1	240379010	4.25	458	Frigidaire
GS21HTZBW1	240379010	4.25	458	Frigidaire
GS21HTZCW0	240379010	4.25	458	Frigidaire
GS23HSZBB2	240389609	5	617	Frigidaire
GS23HSZBC3	240389610	5	617	Frigidaire
GS23HSZBQ2	240389609	5	617	Frigidaire
GS23HSZBW2	240389609	5	617	Frigidaire
GS23HSZCB0	240389610	5	617	Frigidaire
GS23HSZCC0	240389610	5	617	Frigidaire
GS23HSZCC1	240389610	5	617	Frigidaire
GS23HSZCQ0	240389610	5	617	Frigidaire
GS23HSZCW0	240389610	5	617	Frigidaire
GS26HSZBB2	240389609	5.25	654	Frigidaire
GS26HSZBC3	240389609	5.25	654	Frigidaire
GS26HSZBQ2	240389609	5.25	654	Frigidaire
GS26HSZBW2	240389609	5.25	654	Frigidaire
GS26HSZCB0	240389610	5.25	654	Frigidaire
GS26HSZCC0	240389610	5.25	654	Frigidaire
GS26HSZCQ0	240389610	5.25	654	Frigidaire
GS26HSZCW0	240389610	5.25	654	Frigidaire
PLHS237ZAB6	240389608	5	617	Frigidaire
PLHS237ZCB0	240389610	5	617	Frigidaire
PLHS238ZCB1	240389609	5	617	Frigidaire
PLHS239ZCB0	240389610	5	617	Frigidaire
PLHS267ZAB6	240389609	5.25	654	Frigidaire
PLHS267ZCB0	240389610	5.25	654	Frigidaire
PLHS268ZCB1	240389608	5.25	654	Frigidaire
PLHS269ZCB0	240389610	5.25	654	Frigidaire
PLHT189CSB0	240379010	4.25	431	Frigidaire
PLHT189CSK0	240379010	4.25	431	Frigidaire
PLHT217TAB4	240379010	4.25	458	Frigidaire
PLHT217TAK4	240379010	4.25	458	Frigidaire
PLHT219TCB1	240379010	4.25	458	Frigidaire
PLHT219TCK1	240379010	4.25	458	Frigidaire
PLRS267ZAB8	240389609	5.25	727	Frigidaire
WRS23MF5AS5	240389610	5	686	White Westinghouse
WRS23MW3AW5	240389610	5	686	White Westinghouse
WRS23W0AW6	240389610	5	686	White Westinghouse
WRS26MF5AS6	240389610	5.25	727	White Westinghouse
WRS26MF5AW5	240389610	5.25	727	White Westinghouse



# TROUBLESHOOTING GUIDE

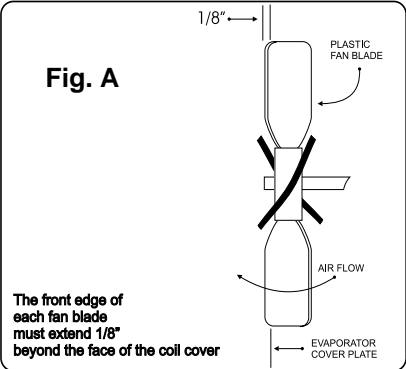
PROBLEM	CAUSE	SOLUTION
Compressor will not run.	No voltage at wall receptacle.	Check circuit breaker, fuse or GFCI (Ground Fault Circuit Interruptor - <b>It is not recommended to connect your refrigerator to a GFCI.</b> )
	Service cord defective or unplugged at wall receptacle.	Check service cord.
	Low voltage causing compressor to cycle on overload.	Voltage fluctuation should not exceed $\pm 10\%$ of 115 vac (104-127)
	Control thermostat knob in OFF position.	Turn control thermostat knob to ON position.
	Inoperative control thermostat.	Replace control thermostat
	Compressor stuck.	Replace compressor.
	Compressor windings open.	Replace compressor.
	Defrost timer stuck in defrost mode.	Replace defrost timer. (if equipped)
	ADC (Adaptive Defrost Control) not turning on compressor after defrost.	Replace ADC.
	Compressor overload stuck open.	Replace compressor overload. (if equipped – compressor starter relay & overload may be plugged into each other)
	Relay lead loose.	Repair or replace lead.
	Relay loose or inoperative.	Repair or replace relay. (if equipped)
	Service cord pulled out of harness.	Repair connection.
	Faulty cabinet wiring.	Repair wiring.
Compressor runs but does not cool.	System out of refrigerant.	Check for leaks. *
	Compressor not pumping.	Replace compressor. *
	Restricted filter drier.	Replace filter drier. *
	Restricted capillary tube.	Replace heat exchanger and evaporator assembly.
	Moisture in system.	See NOTE. *

**\* NOTE:**

- Repair or replace component that is leaking.
- Replace the compressor if the system is contaminated.
- Blow out remaining part of system with dry Nitrogen.
- Pump down and recharge per listing on product serial label.
- Always replace filter drier when repairing sealed system.

<b>PROBLEM</b>	<b>CAUSE</b>	<b>SOLUTION</b>
Compressor short cycles.	Erratic control thermostat.	Replace control thermostat.
	Faulty relay.	Replace relay or starter.
	Restricted air flow over condenser.	Ensure air flow is unobstructed over condenser.
	Low voltage ... fluctuation exceeds $\pm$ 10% of 115 vac (104-127).	Call qualified electrician.
	Compressor draws excessive watts.	Replace compressor.
	Inoperative condenser fan motor.	Replace condenser fan motor.
Compressor runs too much.	Control thermostat is erratic or not properly set.	Replace control thermostat or reset to normal position.
	Refrigerator exposed to high heat. (110° or higher)	Move refrigerator to cooler location.
	High room temperature. (110° F or higher)	Advise customer not to install refrigerator where temperature will rise above 110°F because compressor will not maintain proper temperatures.
	Low pumping capacity compressor.	Replace compressor.
	Door gaskets not sealing.	Adjust doors or replace door gaskets.
	System undercharged.	Check for leaks. *
	System overcharged.	Charge per listing on product serial plate. *
	Interior light stays on.	Check door switch and door adjustment.
	Contaminants in system.	Flush out system. Replace filter drier, evacuate, and recharge. *
	Capillary tube kinked or partially restricted.	Replace heat exchanger and evaporator assembly. *
	Filter drier partially restricted.	Replace filter drier. *
	Refrigerator and/or freezer compartment overloaded ... poor air circulation	Advise customer.
	Restricted air flow over condenser.	Ensure air flow is unobstructed over condenser.
	Condenser fan motor is inoperative. (Forced air condenser models only)	Replace condenser fan motor.
Noisy.	Tubing vibrates.	Adjust tubing.
	Internal compressor noise.	Replace compressor.
	Loose parts.	Check shelving.
	Compressor operating at high head pressure due to restricted air flow over condenser.	Ensure air flow is unobstructed over condenser.

\* See NOTE at bottom of page 8

PROBLEM	CAUSE	SOLUTION
<p>Freezer compartment too warm.</p>  <p><b>Fig. A</b></p> <p>The front edge of each fan blade must extend 1/8" beyond the face of the coil cover</p>	Inoperative evaporator fan motor.	Check wiring and evaporator fan motor. (Check ADC on Side-by-Sides.)
	Improperly positioned fan blade.	Position fan blade properly. See Figure A.
	Evaporator frosted up.	Check defrost system, door adjustments, and door gaskets.
	Inoperative condenser fan motor. (Forced air condenser models only)	Replace condenser fan motor.
	Restricted air flow over condenser – On static condensers, be sure you have 1" between condenser and wall, and 3" over top, or 1 side of condenser is clear.	Clean condenser. (Dynamic models only.)
	Freezer compartment overloaded – poor air circulation.	Advise customer.
	Low room temperature. (60° or lower, 55° for models with Service Data Sheet numbers 240389600-10 and 240379001-10.)	Advise customer not to install refrigerator where temperature will drop below 60°F. Compressor will not maintain proper temperatures.
	Freezer or refrigerator compartment doors left open.	Advise customer.
	Control thermostat out of calibration.	Replace control thermostat.
	Door gaskets not sealing.	Adjust doors or replace door gaskets.
	Control thermostat capillary tube improperly positioned.	Reposition temperature sensing element.
	Shortage of refrigerant.	Check for leaks. *
	Restricted filter drier or capillary tube.	Check for leaks and burnt compressor windings. *
Evaporator fan motor covered in ice.	Check seal around ice maker fill spout. Check seal between evaporator cover and liner. (Side-by-sides only)	
Freezer compartment too cold.	Inoperative cold control. (Top mount-No Frost or Side-by-Side freezer cold control)	Replace cold control.
	Freezer compartment inlet air duct is loose or restricted. Door is loose.	Re-install air duct or remove obstruction from inlet air duct. Adjust door.
	Food compartment air return duct blocked (Top Mount only)	If foam block is frozen, replace block. If duct is blocked, remove obstruction.
	Diffuser (foam block) in top of food compartment is broken. (Foam block located in control housing for models with Service Data Sheets 240389600-10 and 240379001-10.)	Replace diffuser. (Top Mount only) Freezer compartment cold control installed incorrectly. (Side-by-Sides only)

\* See NOTE at bottom of page 8

<b>PROBLEM</b>	<b>CAUSE</b>	<b>SOLUTION</b>
Refrigerator compartment too warm.	Inoperative evaporator fan motor.	Check wiring and evaporator fan motor. (Check ADC on Side-by-Sides.)
	Improperly positioned fan blade.	Position fan blade properly. See page 10, Figure A.
	Evaporated frosted up.	Check defrost system, door adjustments, and door gaskets.
	Refrigerator compartment overloaded – poor air circulation.	Advise customer.
	Low room temperature. (60° or lower, 55° for models with Service Data Sheet numbers 240389600-10 and 240379001-10.)	Advise customer not to install refrigerator where temperature will drop below 60°F. Compressor will not maintain proper temperatures.
	Freezer or refrigerator compartment doors left open.	Advise customer.
	Damper control out of calibration or not opening.	Replace damper control.
	Shortage of refrigerant.	Check for leaks. *
	Restricted filter drier or capillary tube.	Check for leaks and burnt compressor windings. *
	Refrigerator compartment inlet air duct loose or restricted. Door is loose.	Re-install air duct or remove obstruction from air duct. Adjust door.
	Freezer compartment return air duct restricted.	Remove obstruction from return air duct.
	Control thermostat knob set at too warm a position.	Set control knob to a colder position.
	Inoperative or erratic refrigerator/freezer compartment door switch.	Replace door switch.
	Freezer compartment inlet air duct is loose or restricted. Door is loose.	Re-install air duct or remove obstruction from inlet air duct. Adjust door.
Food compartment air return duct blocked (Top Mount only)	If foam block is frozen, replace block. If duct is blocked, remove obstruction.	
Refrigerator compartment too cold.	Inoperative cold control.	Replace cold control.
	Refrigerator compartment inlet air duct loose or restricted. Door is loose.	Re-install air duct or remove obstruction from air duct. Adjust door.
	Diffuser (foam block) in top of food compartment is broken. (Foam blocked located in control housing for models with Service Data Sheet numbers 240389600-10 and 240379001-10.)	Replace diffuser. (Top Mounts only)

\* See NOTE at bottom of page 8.

<b>PROBLEM</b>	<b>CAUSE</b>	<b>SOLUTION</b>
Refrigerator compartment too cold. (Continued)	Inoperative cold control.	Replace cold control.
	Refrigerator compartment inlet air duct loose or restricted. Door is loose.	Re-install air duct or remove obstruction from air duct. Adjust door.
	Diffuser (foam block) in top of food compartment is broken. (Foam blocked located in control housing for models with Service Data Sheet numbers 240389600-10 and 240379001-10.)	Replace diffuser. (Top Mounts only)
	Door in damper control not closing or not closing all the way.	Replace damper control.
		Check freezer control bulb for correct positioning to ensure it is installed correctly.
Cold air blowing into food compartment with damper door closed all the way.	Check foam seal between damper housing and cabinet liner. Check to see that the control box is mounted flush against the cabinet liner.	
Evaporator blocked with ice. (See Adaptive defrost Control below for models with Service Data Sheet numbers 240389600-8 and 240379001010.)	Inoperative defrost timer.	Check wiring. Repair or replace defrost timer.
	Defrost thermostat terminates too early. Thermostat is open.	Check for correct positioning of defrost thermostat. Repair or replace.
	Refrigerator/Freezer compartment doors left open.	Advise customer.
	Open defrost heater.	Replace heater.
	Air leak around ice maker fill tube, or opening.	Seal with permagum.
Frozen drain.	Ice maker water line and wiring harness openings not sealed.	Seal water line and wiring harness openings.
	Drain trough not properly formed.	Ensure drain trough is at 90° angle to back of freezer and that lip is up on front and ends.
	Divider (foam block) frozen.	Replace divider. Check drain trough.
Adaptive Defrost Control (ADC) not responding correctly.	Faulty ADC board.	Replace ADC board.
	Bad wire between ADC, defrost heater, and limiter.	Check wiring and wiring connectors.

PERFORMANCE DATA NO LOAD AND NO DOOR OPENINGS AT MID-POINT CONTROL SETTING		
Type A With Run Capacitor	65°F (18°C) Ambient	90°F (32°C) Ambient
Operating Time	25 to 35%	45 to 55%
Freezer Temperature	2° to 8°F -17° to -13°C	0° to 5°F -18° to -15°C
Refrigerature Temperature	35° to 40°F 2° to 4°C	35° to 40°F 2° to 4°C
Low Side Pressure (cut-in)	8 to 16 psig 55 to 110 kPa	8 to 16 psig 55 to 110 kPa
Low Side Pressure (cut-out)	1 to 4 psig 7 to 28 kPa	1 to 4 psig 7 to 28 kPa
High Side Pressure (Last 1/3 of cycle)	110 to 120 psig 758 to 827 kPa	150 to 175 psig 1034 to 1207 kPa
Wattage (Last 1/3 of cycle)	140 to 185	140 to 185
Amps (Running)	1.1 to 1.6	1.1 to 1.6
Base Voltage	115 VAC (127 VAC Max)	115 VAC (127 VAC Max)

DEFROST SPECIFICATIONS				
Cabinet Size	Thermostat		Heater	
	Cut-in	Cut-out	Watts	Ohms
18' & 21'	25°F -4°C	47°F 8°C	375	35
14', 15' & 17'	25°F -4°C	47°F 8°C	325	41

Mechanical Timer - Defrost 30 Minutes Every 10 Hours of Compressor Run Time  
Electronic Timer (ADC) Defrost Up To 24 Minutes Every 6 - 72 Hours of Compressor Run Time

CONDENSER FAN MOTOR		
Watts	RPM	Amps
2.3	1100 CW Opposite Shaft	.15 Running

ICE MAKER SPECIFICATIONS		
Electrical	115 VAC (127 VAC Max)	60 Hertz
Thermostat	Opens at 48°F (9°C)	Closes at 15°F (-9°C)
Heater Wattage	165	

ICE MAKER CONNECTOR PLUG CONNECTIONS		
Wire Number	Wire Color	Connects to:
1	Green/Yellow	Ground
2	Yellow	Water Valve
3	Black	Line
4	Lt. Blue	Neutral

## SERVICE DATA SHEET

STANDARD - AUTOMATIC  
DEFROST TOP FREEZER  
MODELS (R134a)

P/N: 240379010

### IMPORTANT SAFETY NOTICE

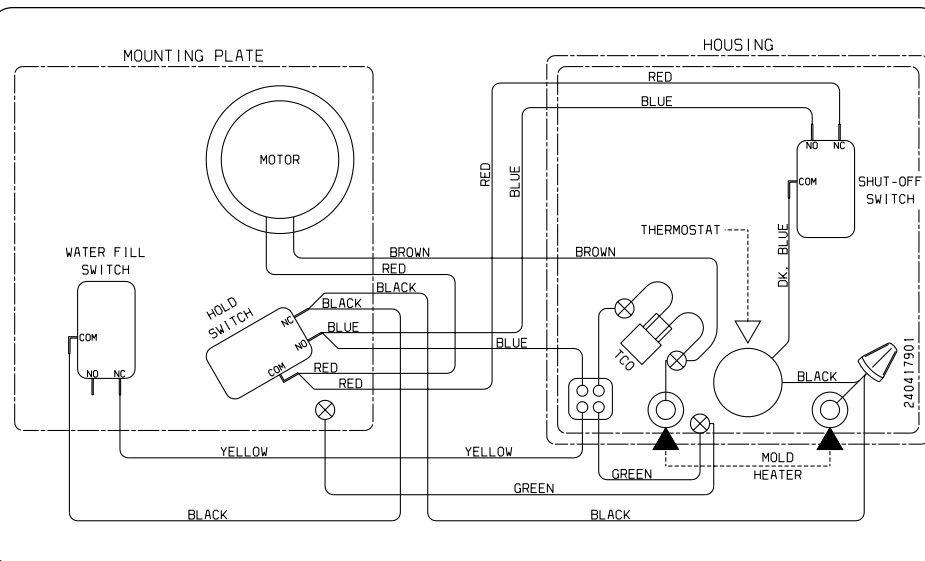
The information provided herein is designed to assist qualified repair personnel only. Untrained persons should not attempt to make repairs due to the possibility of electrical shock. Disconnect power cord before servicing.

### IMPORTANT

If any green grounding wires are moved during servicing, they must be returned to their original position and properly secured.

**CAUTION: All electrical parts and wiring must be shielded from torch flame. Do not allow torch to contact insulation; it will char at 200°F and flash ignite (burn) at 500°F. Excessive heat will distort the plastic liner.**

**NOTE: This product comes equipped with an Electronic Defrost Control. To initiate defrost, depress the fresh food light switch 5 times in 6 seconds (light bulb must be working). To terminate defrost, depress the fresh food light switch 5 times in 6 seconds.**



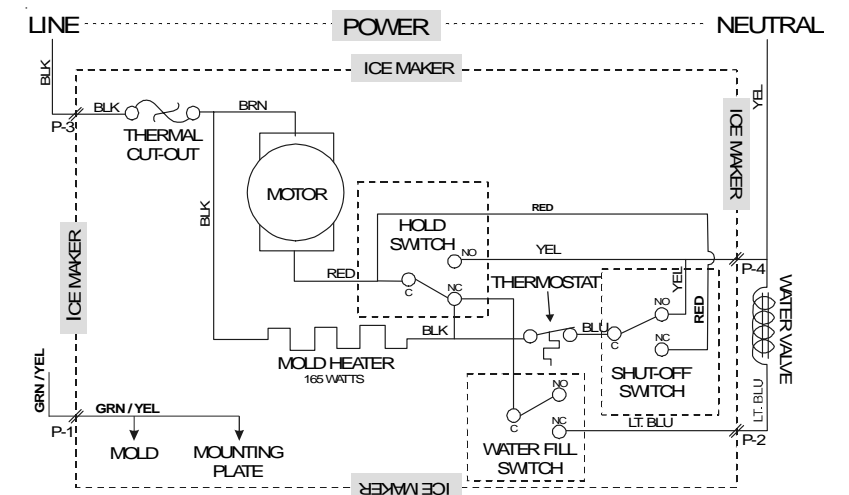
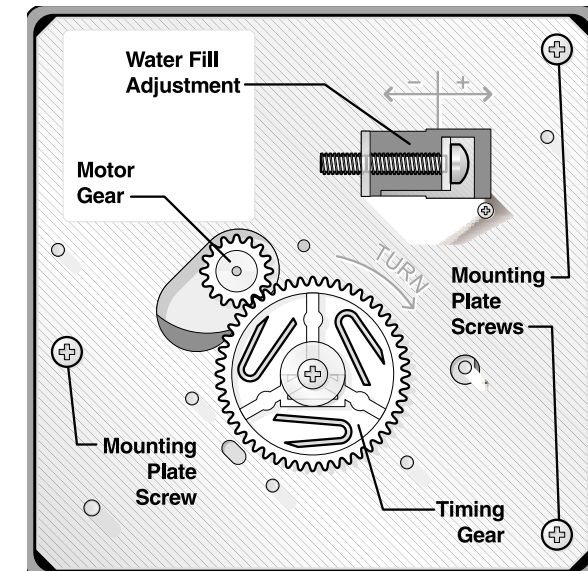
## ICE MAKER INFORMATION

### Test Cycling

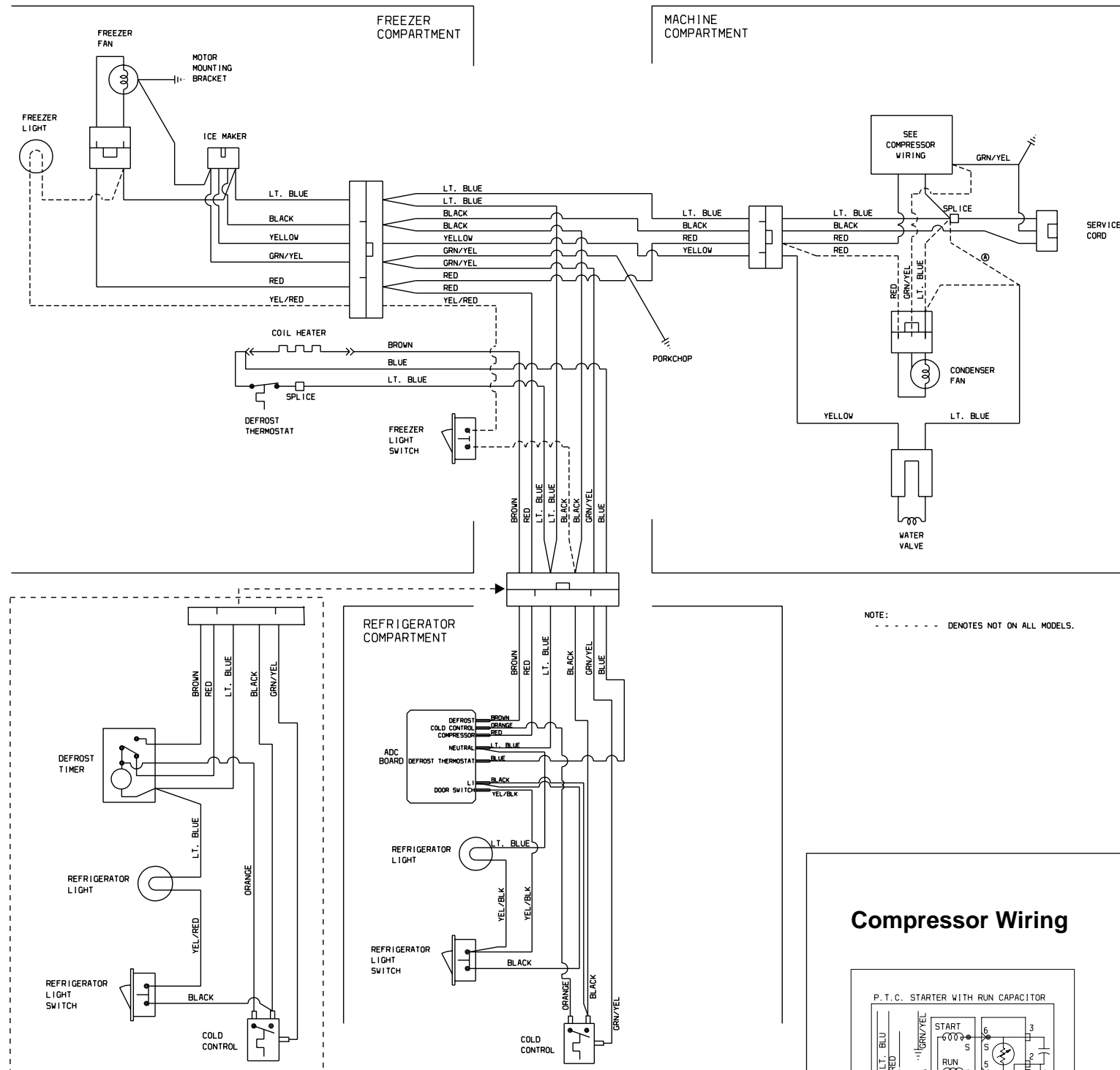
Remove cover by inserting screwdriver in notch at bottom and prying cover from housing. Use screwdriver to rotate motor gear counterclockwise until holding switch circuit is completed. All components of ice maker should function to complete the cycle.

### Water Fill Volume

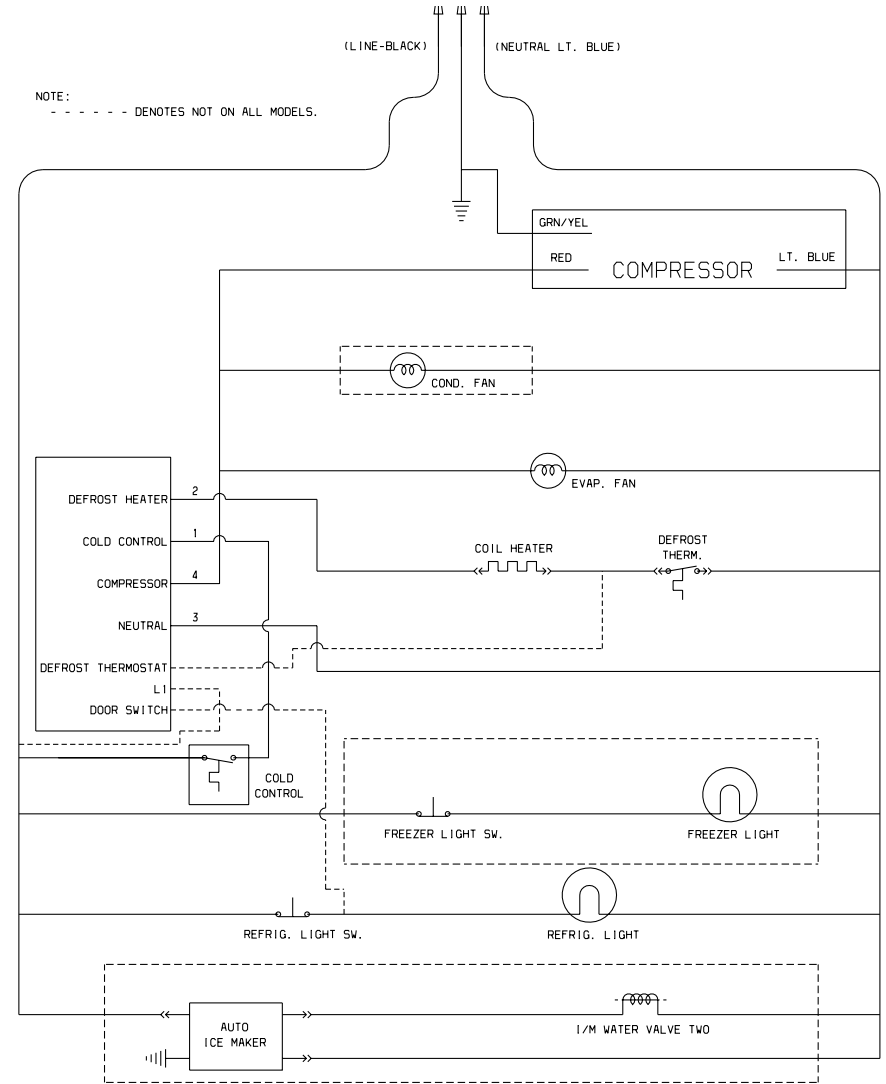
The water fill adjustment screw will change the fill time. One full turn is equal to 20cc (.68 oz.). The correct fill is 102 to 130cc (3.4 to 4.3 oz.). When a water valve is replaced, the fill volume must be checked.



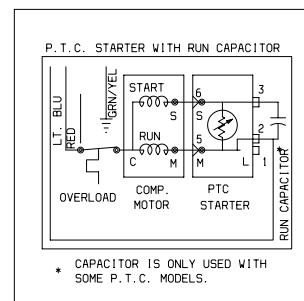
### Pictorial Schematic



### Ladder Schematic



### Compressor Wiring



SERVICE PARTS	15 & 17 CUBIC FOOT			18 CUBIC FOOT			21 CUBIC FOOT	
	STATIC	DYNAMIC	E-STAR	STATIC	DYNAMIC	E-STAR	DYNAMIC	E-STAR
Compressor Kit *	5303918264	5303918264	5303918280	5303918264	5303918264	5303918280	5303918264	5303918251
Starter/PTC *	218721120	218721120	218721119	218721120	218721120	218721119	218721120	218721119
Run Capacitor *	218909901	218909901	218909901	218909901	218909901	218909901	218909901	216787800
Temperature Control	5304421256	5304421256	5304421256	5304421256	5304421256	5304421256	5304421256	5304421256
Timer (if applicable)	215846606	215846606	N/A	215846606	215846606	N/A	215846606	N/A
ADC (if applicable)	N/A	N/A	240545401	N/A	N/A	240545401	N/A	240545401
Defrost Heater Kit	5303918203	5303918203	5303918203	5303918208	5303918208	5303918208	5303918247	5303918247
Defrost Thermostat Kit	5303918202	5303918202	5303918202	5303918202	5303918202	5303918202	5303918202	5303918202
Evaporator Fan Motor	240369701	240369701	240369701	240369701	240369701	240369701	240369701	240369701
Condenser Fan Motor	N/A	240397101	240397101	N/A	240397101	240397101	240334001	240334001

\* Typical compressor kit includes compressor, electrical components, and filter-drier

PERFORMANCE DATA NO LOAD AND NO DOOR OPENINGS AT MID-POINT CONTROL SETTING				
Type A With Run/Start Capacitor	65°F (18°C) Ambient	90°F (32°C) Ambient		
Operating Time	32 to 40%	55 to 65%		
Freezer Temperature	0° to 4°F -18° to -16°C	-1° to 3°F -18° to -16°C		
Refrigerator Temperature	34° to 39°F 1° to 4°C	34° to 39°F 1° to 4°C		
Low Side Pressure (cut-in)	5 to 12 psig 34 to 83 kPa	5 to 12 psig 34 to 83 kPa		
Low Side Pressure (cut-out)	-2 to 2 psig -14 to 14 kPa	-2 to 2 psig -14 to 14 kPa		
High Side Pressure (Last 1/3 of cycle)	90 to 115 psig 621 to 793 kPa	130 to 155 psig 896 to 1069 kPa		
Wattage (Last 1/3 of cycle)	120 to 150	130 to 160		
Amps (Running)	1.2 to 1.5	1.2 to 1.5		
Base Voltage	115 vac (127 vac max)	115 vac (127 vac max)		
DEFROST SPECIFICATIONS				
Cabinet Size	Thermostat		Heater	
	Cut-in	Cut-out	Watts	Ohms
23' & 26'	25°F -4°C	47°F 8°C	450	30
Electronic Timer - (ADC) Defrost 24 minutes every 6 to 72 hours of compressor run time.				
CONDENSER FAN MOTOR				
Watts	RPM	Amps		
7	1100 CW Opposite Shaft	.1 Running		
ICE MAKER SPECIFICATIONS				
Electrical	115 vac (127 vac max)	60 Hertz		
Thermostat	Opens at 48°F (9°C)	Closes at 15°F (-9°C)		
Heater Wattage	165			

ICE MAKER CONNECTOR PLUG CONNECTIONS		
Wire Number	Wire Color	Connects to:
1	Green/Yellow	Ground
2	Yellow	Water Valve
3	Black	Line
4	Lt. Blue	Neutral

## SERVICE DATA SHEET - 240389608

### R134a

### ICE & WATER - AUTOMATIC DEFROST SIDE BY SIDE MODELS

#### IMPORTANT SAFETY NOTICE

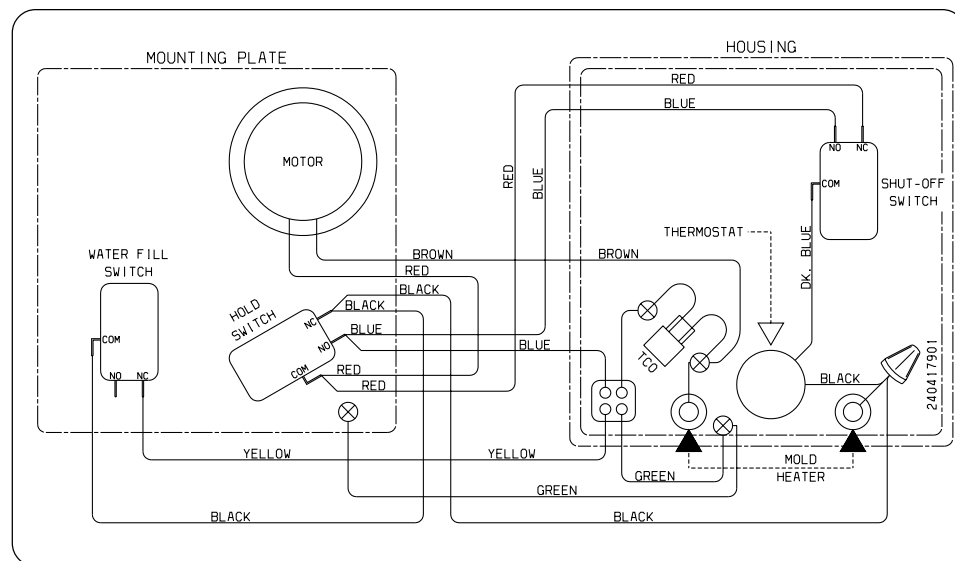
The information provided herein is designed to assist qualified repair personnel only. Untrained persons should not attempt to make repairs due to the possibility of electrical shock. Disconnect power cord before servicing.

#### IMPORTANT

If any green grounding wires are moved during servicing, they must be returned to their original position and properly secured.

**CAUTION: All electrical parts and wiring must be shielded from torch flame. Do not allow torch to contact insulation; it will char at 200°F and flash ignite (burn) at 500°F. Excessive heat will distort the plastic liner.**

**NOTE: This product comes equipped with an Electronic Defrost Control. To initiate defrost, depress the fresh food light switch 5 times in 6 seconds (light bulb must be working). To terminate defrost, depress the fresh food light switch 5 times in 6 seconds.**



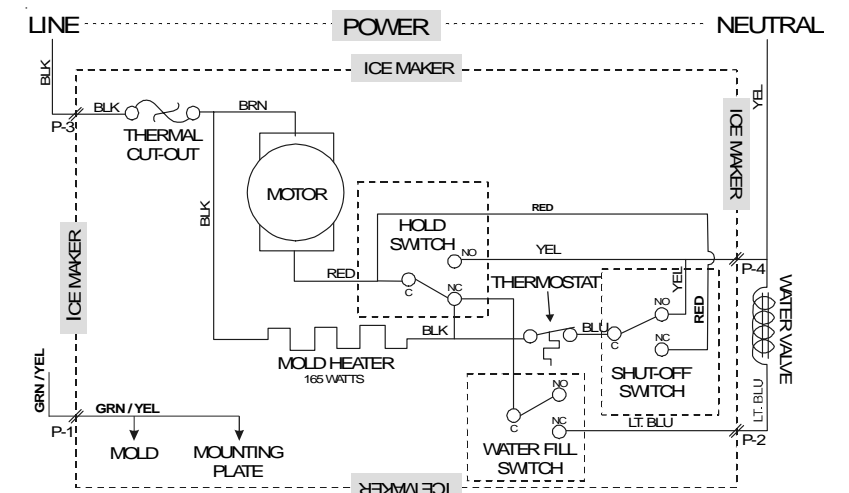
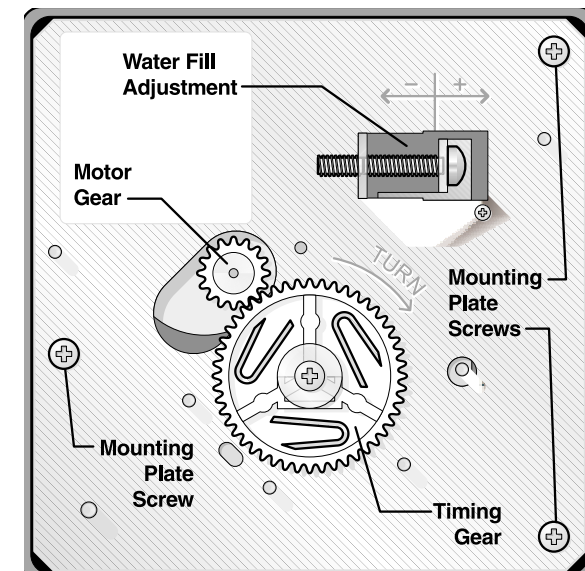
## ICE MAKER INFORMATION

### Test Cycling

Remove cover by inserting screwdriver in notch at bottom and prying cover from housing. Use screwdriver to rotate motor gear counterclockwise until holding switch circuit is completed. All components of ice maker should function to complete the cycle.

### Water Fill Volume

The water fill adjustment screw will change the fill time. One full turn is equal to 20cc (.68 oz.). The correct fill is 102 to 130cc (3.4 to 4.3 oz.). When a water valve is replaced, the fill volume must be checked.







PERFORMANCE DATA NO LOAD AND NO DOOR OPENINGS AT MID-POINT CONTROL SETTING				
Type A With Run/Start Capacitor	65°F (18°C) Ambient	90°F (32°C) Ambient		
Operating Time	32 to 40%	55 to 65%		
Freezer Temperature	0° to 4°F -18° to -16°C	-1° to 3°F -18° to -16°C		
Refrigerator Temperature	34° to 39°F 1° to 4°C	34° to 39°F 1° to 4°C		
Low Side Pressure (cut-in)	5 to 12 psig 34 to 83 kPa	5 to 12 psig 34 to 83 kPa		
Low Side Pressure (cut-out)	-2 to 2 psig -14 to 14 kPa	-2 to 2 psig -14 to 14 kPa		
High Side Pressure (Last 1/3 of cycle)	90 to 115 psig 621 to 793 kPa	130 to 155 psig 896 to 1069 kPa		
Wattage (Last 1/3 of cycle)	120 to 150	130 to 160		
Amps (Running)	1.2 to 1.5	1.2 to 1.5		
Base Voltage	115 vac (127 vac max)	115 vac (127 vac max)		
DEFROST SPECIFICATIONS				
Cabinet Size	Thermostat		Heater	
	Cut-in	Cut-out	Watts	Ohms
23' & 26'	25°F -4°C	47°F 8°C	450	30
Electronic Timer - (ADC) Defrost 24 minutes every 6 to 72 hours of compressor run time.				
CONDENSER FAN MOTOR				
Watts	RPM	Amps		
7	1100 CW Opposite Shaft	.1 Running		
ICE MAKER SPECIFICATIONS				
Electrical	115 vac (127 vac max)	60 Hertz		
Thermostat	Opens at 48°F (9°C)	Closes at 15°F (-9°C)		
Heater Wattage	165			

ICE MAKER CONNECTOR PLUG CONNECTIONS		
Wire Number	Wire Color	Connects to:
1	Green/Yellow	Ground
2	Yellow	Water Valve
3	Black	Line
4	Lt. Blue	Neutral

## SERVICE DATA SHEET - 240389609

### R134a ICE & WATER - AUTOMATIC DEFROST SIDE BY SIDE MODELS

#### IMPORTANT SAFETY NOTICE

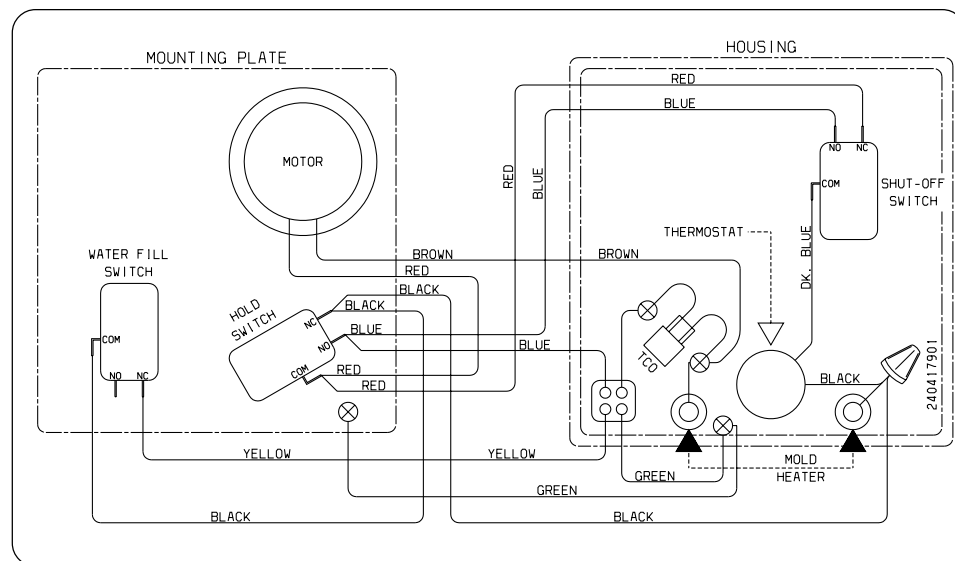
The information provided herein is designed to assist qualified repair personnel only. Untrained persons should not attempt to make repairs due to the possibility of electrical shock. Disconnect power cord before servicing.

#### IMPORTANT

If any green grounding wires are moved during servicing, they must be returned to their original position and properly secured.

**CAUTION: All electrical parts and wiring must be shielded from torch flame. Do not allow torch to contact insulation; it will char at 200°F and flash ignite (burn) at 500°F. Excessive heat will distort the plastic liner.**

**NOTE: This product comes equipped with an Electronic Defrost Control. To initiate defrost, depress the fresh food light switch 5 times in 6 seconds (light bulb must be working). To terminate defrost, depress the fresh food light switch 5 times in 6 seconds.**



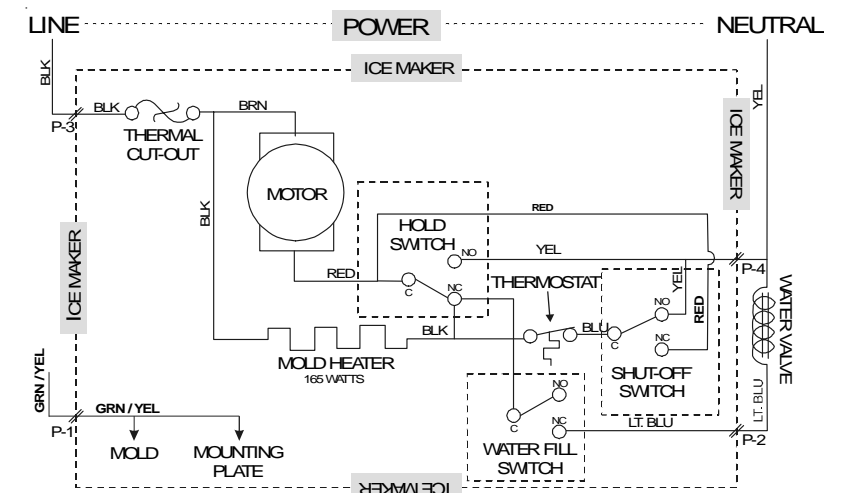
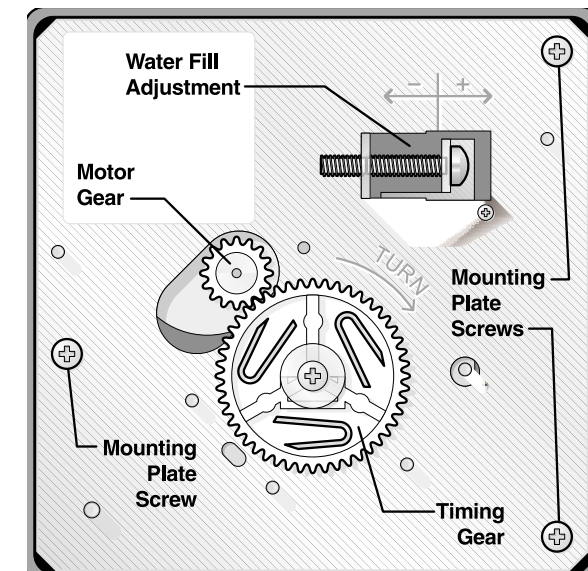
### ICE MAKER INFORMATION

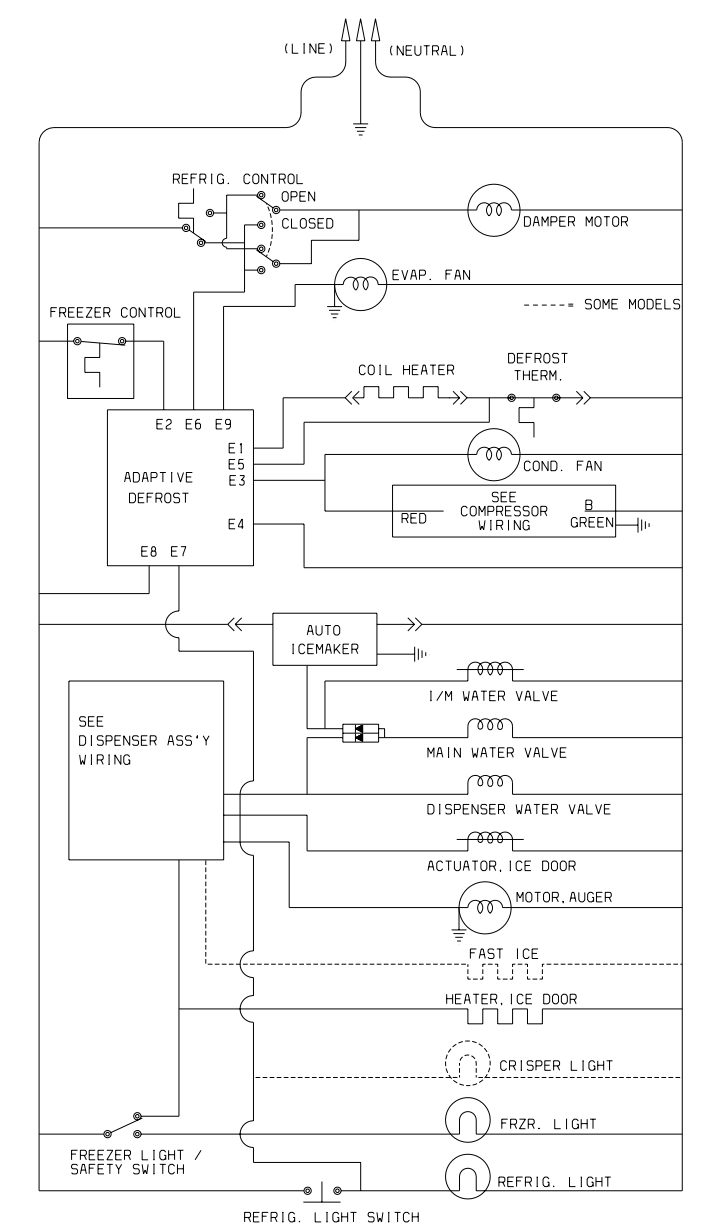
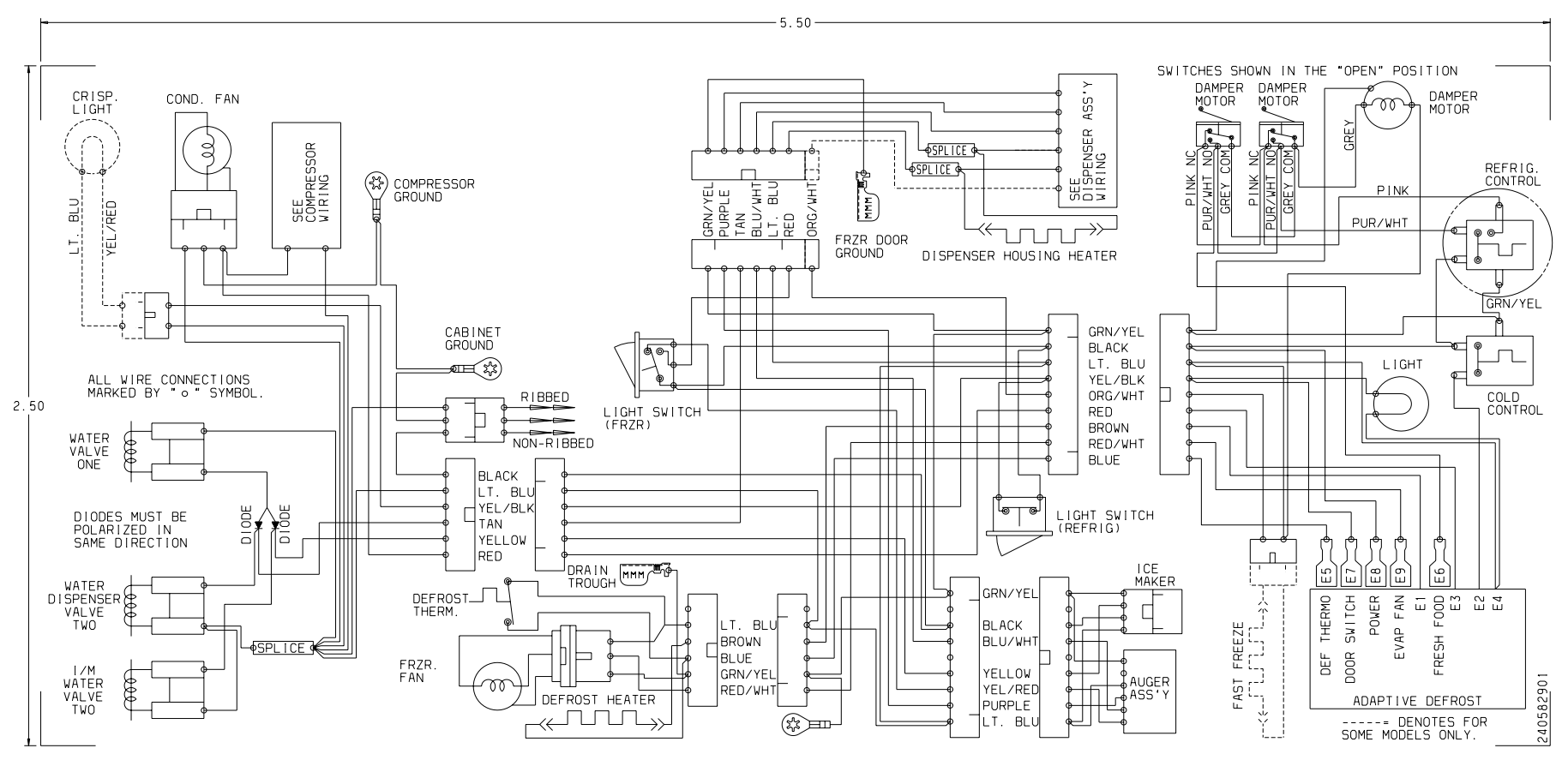
#### Test Cycling

Remove cover by inserting screwdriver in notch at bottom and prying cover from housing. Use screwdriver to rotate motor gear counterclockwise until holding switch circuit is completed. All components of ice maker should function to complete the cycle.

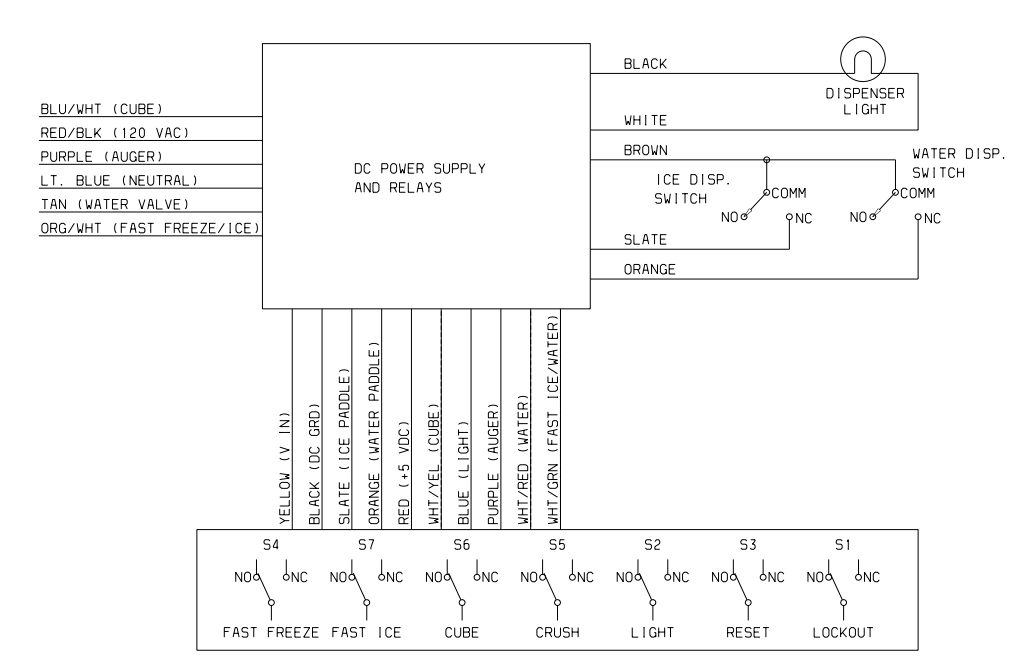
#### Water Fill Volume

The water fill adjustment screw will change the fill time. One full turn is equal to 20cc (.68 oz.). The correct fill is 102 to 130cc (3.4 to 4.3 oz.). When a water valve is replaced, the fill volume must be checked.

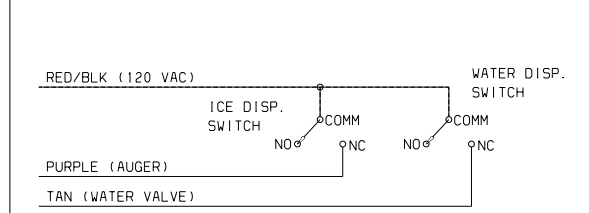




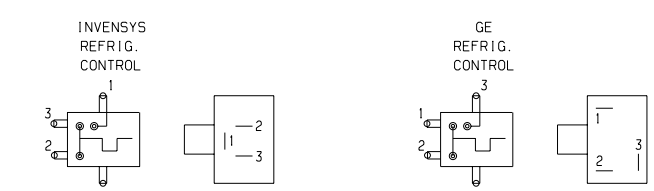
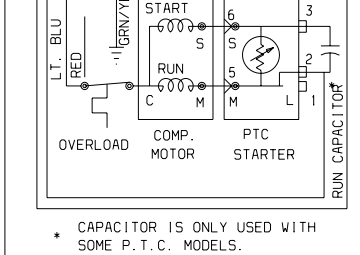
ELECTRONIC DISPENSER



ELECTRO-MECHANICAL DISPENSER



P. T. C. STARTER WITH RUN CAPACITOR



SERVICE PARTS	23 CUBIC FOOT		26 CUBIC FOOT	
	STANDARD	E-STAR	STANDARD	E-STAR
Compressor Kit *	5303918251	5303918251	5303918254	5303918254
Starter/PTC *	218721119	218721119	218721119	218721119
Run Capacitor *	218787800	218787800	218909901	218909901
Temp. Control-Ref	240448303	240448303	240448303	240448303
Temp. Control-FrZR	5304429602	5304429602	450226-14	450226-14
Timer (if applicable)	N/A	N/A	N/A	N/A
ADC (if applicable)	240554502	240554502	240554502	240554502
Defrost Heater Kit	5303918253	5303918253	5303918253	5303918253
Defrost Thermostat Kit	5303918214	5303918214	5303918214	5303918214
Evaporator Fan Motor	240315803	240315802	240315803	240315802
Condenser Fan Motor	240397101	240334001	240397101	240334002

\* Typical compressor kit includes compressor, electrical components, and filter-drier

PERFORMANCE DATA NO LOAD AND NO DOOR OPENINGS AT MID-POINT CONTROL SETTING				
Type A With Run/Start Capacitor	65°F (18°C) Ambient	90°F (32°C) Ambient		
Operating Time	32 to 40%	55 to 65%		
Freezer Temperature	0° to 4°F -18° to -16°C	-1° to 3°F -18° to -16°C		
Refrigerator Temperature	34° to 39°F 1° to 4°C	34° to 39°F 1° to 4°C		
Low Side Pressure (cut-in)	5 to 12 psig 34 to 83 kPa	5 to 12 psig 34 to 83 kPa		
Low Side Pressure (cut-out)	-2 to 2 psig -14 to 14 kPa	-2 to 2 psig -14 to 14 kPa		
High Side Pressure (Last 1/3 of cycle)	90 to 115 psig 621 to 793 kPa	130 to 155 psig 896 to 1069 kPa		
Wattage (Last 1/3 of cycle)	120 to 150	130 to 160		
Amps (Running)	1.2 to 1.5	1.2 to 1.5		
Base Voltage	115 vac (127 vac max)	115 vac (127 vac max)		
DEFROST SPECIFICATIONS				
Cabinet Size	Thermostat		Heater	
	Cut-in	Cut-out	Watts	Ohms
23' & 26'	25°F -4°C	47°F 8°C	450	30
Electronic Timer - (ADC) Defrost 24 minutes every 6 to 72 hours of compressor run time.				
CONDENSER FAN MOTOR				
Watts	RPM	Amps		
7	1100 CW Opposite Shaft	.1 Running		
ICE MAKER SPECIFICATIONS				
Electrical	115 vac (127 vac max)	60 Hertz		
Thermostat	Opens at 48°F (9°C)	Closes at 15°F (-9°C)		
Heater Wattage	165			

ICE MAKER CONNECTOR PLUG CONNECTIONS		
Wire Number	Wire Color	Connects to:
1	Green/Yellow	Ground
2	Yellow	Water Valve
3	Black	Line
4	Lt. Blue	Neutral

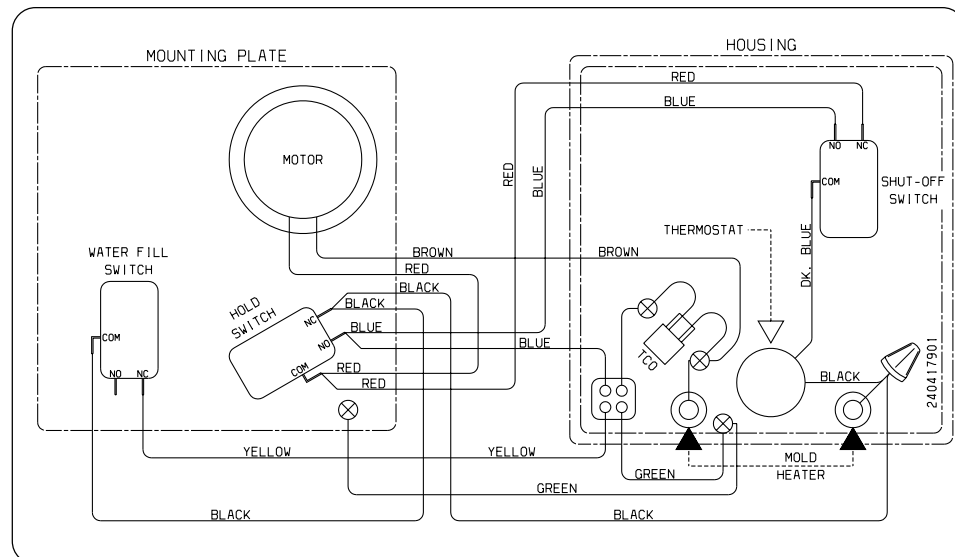
**SERVICE DATA SHEET - 240389610**  
**R134a**  
**ICE & WATER - AUTOMATIC DEFROST**  
**SIDE BY SIDE MODELS**

**IMPORTANT SAFETY NOTICE**  
The information provided herein is designed to assist qualified repair personnel only. Untrained persons should not attempt to make repairs due to the possibility of electrical shock. Disconnect power cord before servicing.

**IMPORTANT**  
If any green grounding wires are moved during servicing, they must be returned to their original position and properly secured.

**CAUTION: All electrical parts and wiring must be shielded from torch flame. Do not allow torch to contact insulation; it will char at 200°F and flash ignite (burn) at 500°F. Excessive heat will distort the plastic liner.**

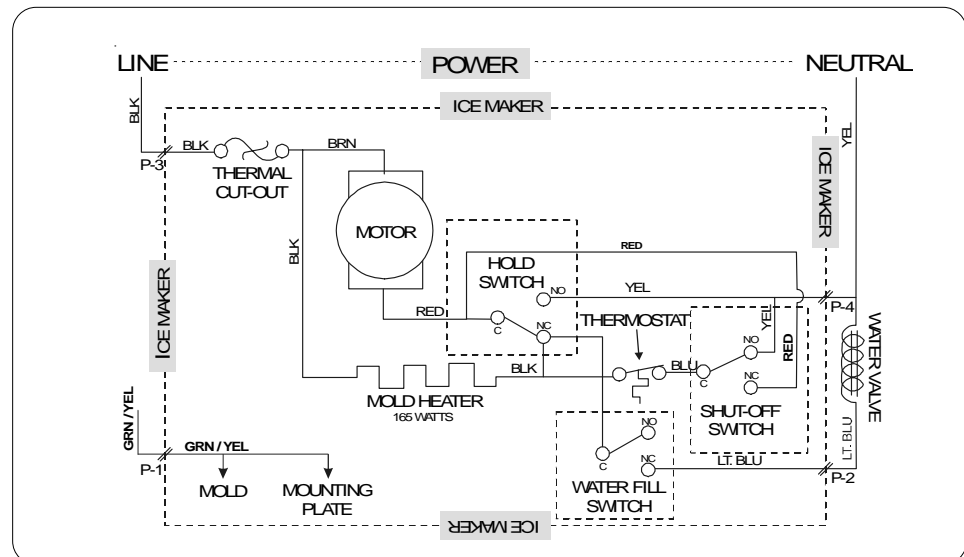
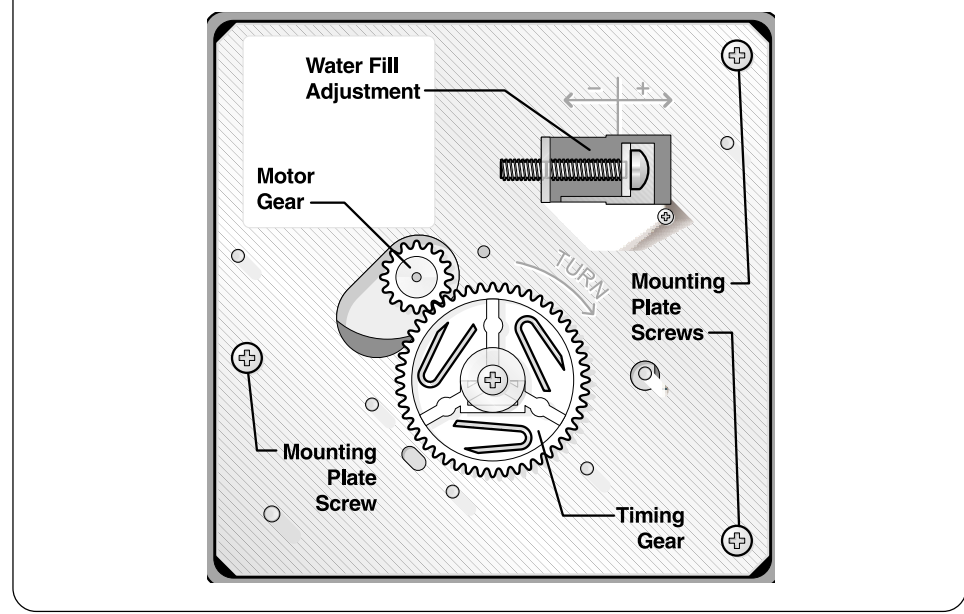
**NOTE: This product comes equipped with an Electronic Defrost Control. To initiate defrost, depress the fresh food light switch 5 times in 6 seconds (light bulb must be working). To terminate defrost, depress the fresh food light switch 5 times in 6 seconds.**

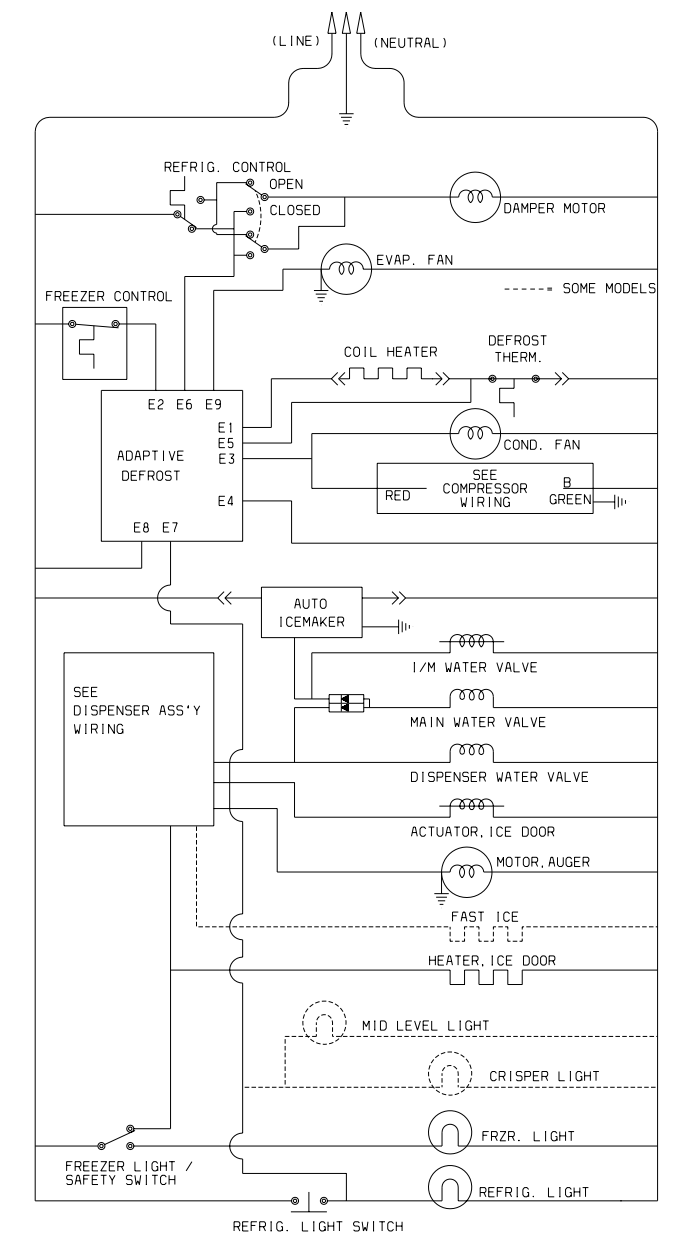
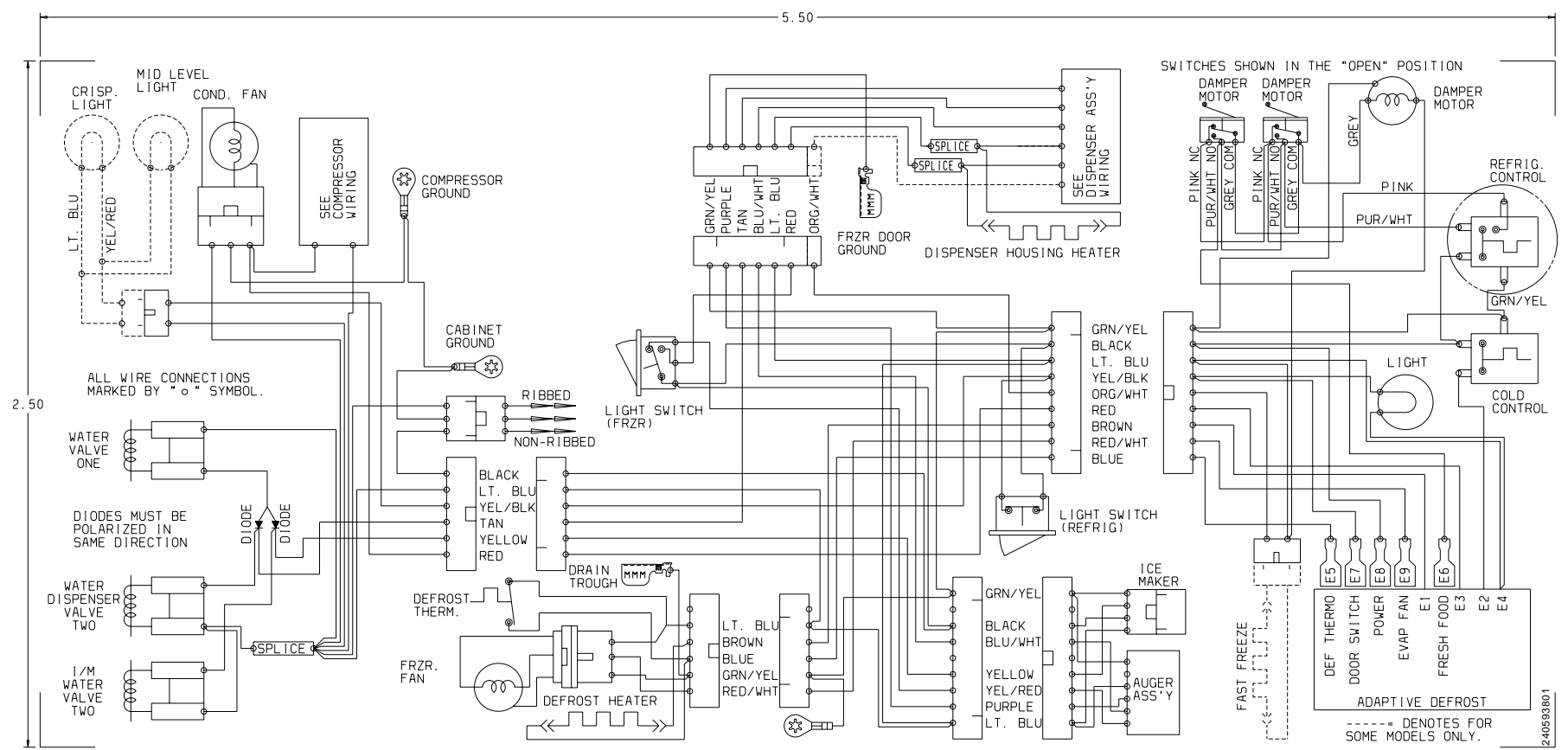


**ICE MAKER INFORMATION**

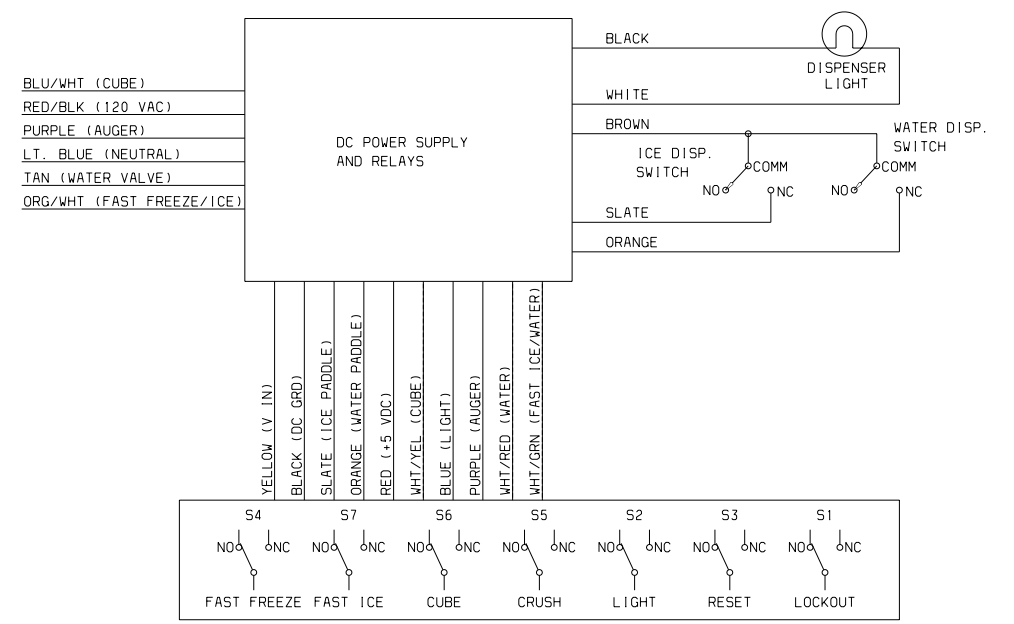
**Test Cycling**  
Remove cover by inserting screwdriver in notch at bottom and prying cover from housing. Use screwdriver to rotate motor gear counterclockwise until holding switch circuit is completed. All components of ice maker should function to complete the cycle.

**Water Fill Volume**  
The water fill adjustment screw will change the fill time. One full turn is equal to 20cc (.68 oz.). The correct fill is 102 to 130cc (3.4 to 4.3 oz.). When a water valve is replaced, the fill volume must be checked.

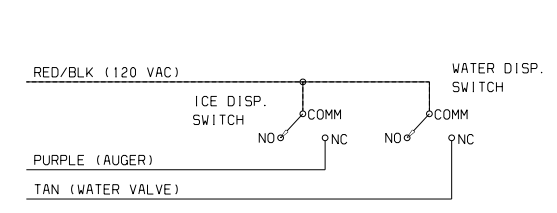




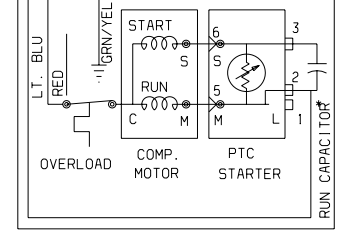
ELECTRONIC DISPENSER



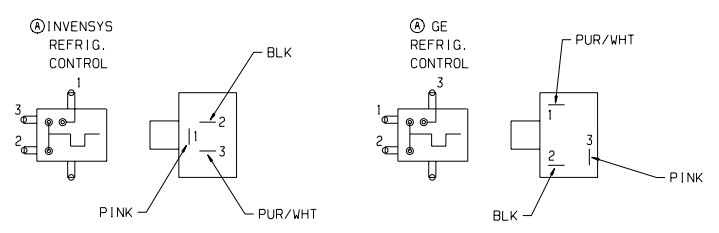
ELECTRO-MECHANICAL DISPENSER



P. T. C. STARTER WITH RUN CAPACITOR



\* CAPACITOR IS ONLY USED WITH SOME P. T. C. MODELS.



SERVICE PARTS	23 CUBIC FOOT		26 CUBIC FOOT	
	STANDARD	E-STAR	STANDARD	E-STAR
Compressor Kit *	5303918251	5303918251	5303918254	5303918254
Starter/PTC *	218721119	218721119	218721119	218721119
Run Capacitor *	218787800	218787800	218909901	218909901
Temp. Control-Ref	240448303	240448303	240448303	240448303
Temp. Control-Fr	5304429602	5304429602	450226-14	450226-14
Timer (if applicable)	N/A	N/A	N/A	N/A
ADC (if applicable)	240554502	240554502	240554502	240554502
Defrost Heater Kit	5303918253	5303918253	5303918253	5303918253
Defrost Thermostat Kit	5303918214	5303918214	5303918214	5303918214
Evaporator Fan Motor	240315803	240315802	240315803	240315802
Condenser Fan Motor	240397101	240334001	240397101	240334002

\* Typical compressor kit includes compressor, electrical components, and filter-drier