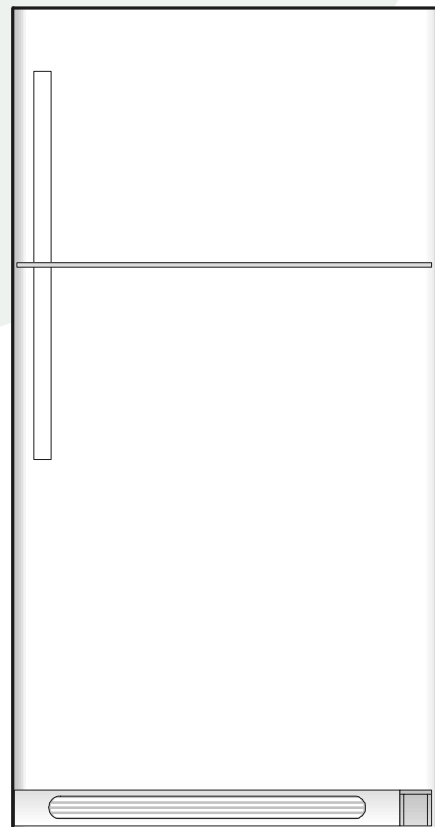




ELECTROLUX HOME PRODUCTS NORTH AMERICA

# *Product Information and Technical Guide*

***Top Mount Refrigerators  
October 1999 - May 2001***



*Frigidaire*<sup>®</sup>

**TAPPAN**<sup>®</sup>

**W** White-Westinghouse<sup>®</sup>

**Kelvinator**<sup>®</sup> 

**Gibson**<sup>®</sup>

# TABLE OF CONTENTS

**SAFE SERVICING PRACTICES ----- 2**

## **SERVICE DATA SHEET AND REFRIGERANT CHARGE INDEXES**

Frigidaire -----	3 - 14
Amana -----	15
Gibson -----	15 - 17
Multiflex / Universal * -----	17
Tappan -----	17 - 18
White-Westinghouse -----	18

**TROUBLESHOOTING GUIDE ----- 19 - 23**

## **APPENDIX A - SERVICE DATA SHEETS**

218755000 -----	A1 - A2
218758400 -----	A3 - A4
218901800 -----	A5 - A6
218901900 -----	A7 - A8
240379001 -----	A9 - A10
240379003 -----	A11 - A12
240379004 -----	A13 - A14
240379005 -----	A15 - A16
240379006 -----	A17 - A18
240379007 -----	A19 - A20

\* Universal / Multiflex models can be sold under any of the Electrolux Home Products-NA brand names

# SAFE SERVICING PRACTICES - ALL APPLIANCES

To avoid personal injury and/or property damage, it is important that **Safe Servicing Practices** be observed. The following are some limited examples of safe practices:

1. **DO NOT** attempt a product repair if you have any doubts as to your ability to complete it in a safe and satisfactory manner.
2. Before servicing or moving an appliance:
  - Remove the power cord from the electrical outlet, trip the circuit breaker to the OFF position, or remove the fuse.
  - Turn off the gas supply.
  - Turn off the water supply.
3. Never interfere with the proper operation of any safety device.
4. **USE ONLY REPLACEMENT PARTS CATALOGED FOR THIS APPLIANCE. SUBSTITUTIONS MAY DEFEAT COMPLIANCE WITH SAFETY STANDARDS SET FOR HOME APPLIANCES.**
5. **GROUNDING:** The standard color coding for safety ground wires is **GREEN**, or **GREEN** with **YELLOW STRIPES**. Ground leads are not to be used as current carrying conductors. It is **EXTREMELY** important that the service technician reestablish all safety grounds prior to completion of service. Failure to do so will create a hazard.
6. Prior to returning the product to service, ensure that:
  - All electrical connections are correct and secure
  - All electrical leads are properly dressed and secured away from sharp edges, high-temperature components, and moving parts
  - All non-insulated electrical terminals, connectors, heaters, etc. are adequately spaced away from all metal parts and panels
  - All safety grounds (both internal and external) are correctly and securely connected
  - All panels are properly and securely reassembled

## ATTENTION!!!

This service manual is intended for use by persons having electrical and mechanical training and a level of knowledge of these subjects generally considered acceptable in the appliance repair trade. Electrolux Home Products cannot be responsible, nor assume any liability, for injury or damage of any kind arising from the use of this manual.

<b>FRIGIDAIRE MODELS</b>				
<b>Model</b>	<b>Service Data Sheets</b>		<b>R-134a Refrigerant Charge (ounces)</b>	<b>Energy Efficiency Rating (kwh/yr)</b>
	<b>Number</b>	<b>Pages</b>		
F44C18SHW0	218758400	A - 3, 4	5	683
F44C18SHW1	218758400	A - 3, 4	5	683
F44N18CEW8	218758400	A - 3, 4	5	683
F44N18MGD0	218758400	A - 3, 4	5	683
F44N18MGD1	218758400	A - 3, 4	5	683
F44N18MGW0	218758400	A - 3, 4	5	683
F44N18MGW1	218758400	A - 3, 4	5	683
F44N21GSD0	218755000	A - 1, 2	5.5	741
F44N21GSW0	218755000	A - 1, 2	5.5	741
F44P21ATD2	218755000	A - 1, 2	5.5	741
F44P21ATD3	218755000	A - 1, 2	5.5	741
F44P21ATW2	218755000	A - 1, 2	5.5	741
F44P21ATW3	218755000	A - 1, 2	5.5	741
F44Q21RJD0	218755000	A - 1, 2	5.5	741
F44Q21RJD1	218755000	A - 1, 2	5	741
F44Q21R JW0	218755000	A - 1, 2	5.5	741
F44Q21R JW1	218755000	A - 1, 2	5	741
F44R18SKD0	218758400	A - 3, 4	5	683
F44R18SKD1	218758400	A - 3, 4	5	683
F44R18SKW0	218758400	A - 3, 4	5	683
F44R18SKW1	218758400	A - 3, 4	5	683
F44R21NGD0	218901900	A - 7, 8	4.5	740
F44R21NGD1	218901900	A - 7, 8	4.5	740
F44R21NGD2	218901900	A - 7, 8	3.75	740
F44R21NGW0	218901900	A - 7, 8	4.5	740
F44R21NGW1	218901900	A - 7, 8	4.5	740
F44R21NGW2	218901900	A - 7, 8	3.75	740
FRT13CRHD0	218758400	A - 3, 4	3.75	586
FRT13CRHD1	218758400	A - 3, 4	3.75	586

<b>FRIGIDAIRE MODELS</b>				
<b>Model</b>	<b>Service Data Sheets</b>		<b>R-134a Refrigerant Charge (ounces)</b>	<b>Energy Efficiency Rating (kwh/yr)</b>
	<b>Number</b>	<b>Pages</b>		
FRT13CRHW1	218758400	A - 3, 4	3.75	586
FRT13CRHZ0	218758400	A - 3, 4	3.75	586
FRT13CRHZ1	218758400	A - 3, 4	3.75	586
FRT13GRHD0	218758400	A - 3, 4	3.75	586
FRT13GRHD1	218758400	A - 3, 4	3.75	586
FRT13GRHW1	218758400	A - 3, 4	3.75	586
FRT15B3AW0	240379007	A - 19, 20	4	443
FRT15G5AW0	240379004	A - 13, 14	4	443
FRT16CNHD3	218758400	A - 3, 4	4.5	639
FRT16CNHD4	218755000	A - 1, 2	3.75	639
FRT16CNHD5	218758400	A - 3, 4	4.25	639
FRT16CNHW5	218758400	A - 3, 4	4.25	639
FRT16CNHZ3	218758400	A - 3, 4	4.5	639
FRT16CNHZ5	218758400	A - 3, 4	4.25	639
FRT16CRHD0	218755000	A - 1, 2	3.75	639
FRT16CRHD4	218755000	A - 1, 2	3.75	639
FRT16CRHD5	218758400	A - 3, 4	4.25	639
FRT16CRHW3	218758400	A - 3, 4	4.5	639
FRT16CRHW4	218755000	A - 1, 2	3.75	639
FRT16CRHW5	218758400	A - 3, 4	4.25	639
FRT16CRHY3	218758400	A - 3, 4	4.5	639
FRT16CRHZ3	218758400	A - 3, 4	4.5	639
FRT16CRHZ5	218758400	A - 3, 4	4.25	639
FRT16ICRHD1	218758400	A - 3, 4	4.5	639
FRT16ICRHD2	218755000	A - 1, 2	3.75	639
FRT16ICRHD4	218755000	A - 1, 2	3.75	639
FRT16ICRHW3	218758400	A - 3, 4	4.25	639
FRT16ICRHW4	218755000	A - 1, 2	3.75	639
FRT16ICRHY2	218755000	A - 1, 2	3.75	639

<b>FRIGIDAIRE MODELS</b>				
<b>Model</b>	<b>Service Data Sheets</b>		<b>R-134a Refrigerant Charge (ounces)</b>	<b>Energy Efficiency Rating (kwh/yr)</b>
	<b>Number</b>	<b>Pages</b>		
FRT16ICRHY4	218755000	A - 1, 2	3.75	639
FRT16ICRHZ4	218755000	A - 1, 2	3.75	639
FRT16NRGD7	218758400	A - 3, 4	4.5	639
FRT16NRGD8	218755000	A - 1, 2	3.75	639
FRT16NRGD9	218758400	A - 3, 4	4.25	639
FRT16NRGW7	218758400	A - 3, 4	4.5	639
FRT16NRGW8	218755000	A - 1, 2	3.75	639
FRT16NRGW9	218758400	A - 3, 4	4.25	639
FRT16NRGZ8	218755000	A - 1, 2	3.75	639
FRT17B3AW0	240379006	A - 17, 18	4	460
FRT18B4AQ0	240379005	A - 15, 16	4	479
FRT18B4AT0	240379005	A - 15, 16	4	479
FRT18B4AW0	240379005	A - 15, 16	4	479
FRT18B4AZ0	240379005	A - 15, 16	4	479
FRT18BNHW0	218758400	A - 3, 4	5	683
FRT18BNHZ0	218758400	A - 3, 4	5	683
FRT18C2JW1	218758400	A - 3, 4	5	683
FRT18C2JZ1	218758400	A - 3, 4	5	683
FRT18C4AW0	240379001	A - 9, 10	4	516
FRT18C5AQ0	240379005	A - 15, 16	4	470
FRT18C5AT0	240379005	A - 15, 16	4	470
FRT18C5AW0	240379005	A - 15, 16	4	470
FRT18C5AZ0	240379005	A - 15, 16	4	470
FRT18DRHD0	218758400	A - 3, 4	5	683
FRT18DRHD1	218758400	A - 3, 4	5	683
FRT18DRHW1	218758400	A - 3, 4	5	683
FRT18DRHY0	218758400	A - 3, 4	5	683
FRT18DRHY1	218758400	A - 3, 4	5	683
FRT18DRHZ0	218758400	A - 3, 4	5	683

<b>FRIGIDAIRE MODELS</b>				
<b>Model</b>	<b>Service Data Sheets</b>		<b>R-134a Refrigerant Charge (ounces)</b>	<b>Energy Efficiency Rating (kwh/yr)</b>
	<b>Number</b>	<b>Pages</b>		
FRT18DRHZ1	218758400	A - 3, 4	5	683
FRT18G3AQ0	240379006	A - 17, 18	4	479
FRT18G3AW0	240379006	A - 17, 18	4	479
FRT18G4AQ0	240379005	A - 15, 16	4	479
FRT18G4AW0	240379005	A - 15, 16	4	479
FRT18IB4AQ0	240379005	A - 15, 16	4	479
FRT18IB4AW0	240379005	A - 15, 16	4	479
FRT18IC5AQ0	240379005	A - 15, 16	4	479
FRT18IC5AT0	240379005	A - 15, 16	4	479
FRT18IC5AW0	240379005	A - 15, 16	4	479
FRT18IC5AZ0	240379005	A - 15, 16	4	479
FRT18IDRHD0	218758400	A - 3, 4	5	683
FRT18IDRHD1	218758400	A - 3, 4	5	683
FRT18IDRHW1	218758400	A - 3, 4	5	683
FRT18IDRHY0	218758400	A - 3, 4	5	683
FRT18IDRHY1	218758400	A - 3, 4	5	683
FRT18IDRHZ0	218758400	A - 3, 4	5	683
FRT18IDRHZ1	218758400	A - 3, 4	5	683
FRT18IG4AQ0	240379006	A - 17, 18	4	479
FRT18IG4AW0	240379006	A - 17, 18	4	479
FRT18IG4AZ0	240379006	A - 17, 18	4	479
FRT18INLHD0	218758400	A - 3, 4	5	683
FRT18INLHD1	218758400	A - 3, 4	5	683
FRT18INLHW1	218758400	A - 3, 4	5	683
FRT18INRJW0	218758400	A - 3, 4	5	683
FRT18INRJZ0	218758400	A - 3, 4	5	683
FRT18IQGJD0	218758400	A - 3, 4	5	683
FRT18IQGJD1	218758400	A - 3, 4	5	683
FRT18IQGJW0	218758400	A - 3, 4	5	683

<b>FRIGIDAIRE MODELS</b>				
<b>Model</b>	<b>Service Data Sheets</b>		<b>R-134a Refrigerant Charge (ounces)</b>	<b>Energy Efficiency Rating (kwh/yr)</b>
	<b>Number</b>	<b>Pages</b>		
FRT18IQGJW1	218758400	A - 3, 4	5	683
FRT18ISGHD0	218758400	A - 3, 4	5	683
FRT18ISGHD1	218758400	A - 3, 4	5	683
FRT18ISGHW0	218758400	A - 3, 4	5	683
FRT18ISGHW1	218758400	A - 3, 4	5	683
FRT18KD3AW0	240379005	A - 15, 16	4	479
FRT18KD4AW0	240379005	A - 15, 16	4	479
FRT18LBHW1	218758400	A - 3, 4	5	683
FRT18ND5AQ0	240379005	A - 15, 16	4	479
FRT18ND5AW0	240379005	A - 15, 16	4	479
FRT18NNHD0	218758400	A - 3, 4	5	683
FRT18NRJD0	218758400	A - 3, 4	5	683
FRT18NRJD1	218758400	A - 3, 4	5	683
FRT18NRJW0	218758400	A - 3, 4	5	683
FRT18NRJW1	218758400	A - 3, 4	5	683
FRT18P5AQ0	240379004	A - 13, 14	4	479
FRT18P5AW0	240379004	A - 13, 14	4	479
FRT18PRHD0	218758400	A - 3, 4	5	683
FRT18PRHD1	218758400	A - 3, 4	5	683
FRT18PRHW1	218758400	A - 3, 4	5	683
FRT18QGHD0	218758400	A - 3, 4	5	683
FRT18QGJD0	218758400	A - 3, 4	5	683
FRT18QGJD1	218758400	A - 3, 4	5	683
FRT18QGJW0	218758400	A - 3, 4	5	683
FRT18QGJW1	218758400	A - 3, 4	5	683
FRT18QRHW3	218758400	A - 3, 4	5	683
FRT18R6AQ0	240379005	A - 15, 16	4	479
FRT18R6AW0	240379005	A - 15, 16	4	479
FRT18RRJD0	218758400	A - 3, 4	5	683



<b>FRIGIDAIRE MODELS</b>				
<b>Model</b>	<b>Service Data Sheets</b>		<b>R-134a Refrigerant Charge (ounces)</b>	<b>Energy Efficiency Rating (kwh/yr)</b>
	<b>Number</b>	<b>Pages</b>		
FRT18RRJD1	218758400	A - 3, 4	5	683
FRT18RRJW0	218758400	A - 3, 4	5	683
FRT18RRJW1	218758400	A - 3, 4	5	683
FRT18S6AQ0	240379005	A - 15, 16	4	479
FRT18S6AW0	240379005	A - 15, 16	4	479
FRT18SGHD0	218758400	A - 3, 4	5	683
FRT18SGHD1	218758400	A - 3, 4	5	683
FRT18SGHW0	218758400	A - 3, 4	5	683
FRT18SGHW1	218758400	A - 3, 4	5	683
FRT18SJGD2	218758400	A - 3, 4	5	683
FRT18TJHW0	218758400	A - 3, 4	5	683
FRT18TJHW1	218758400	A - 3, 4	5	683
FRT18TPHW0	218758400	A - 3, 4	5	683
FRT18TPHW1	218758400	A - 3, 4	5	683
FRT21B4AQ0	240379005	A - 15, 16	4.25	509
FRT21B4AW0	240379005	A - 15, 16	4.25	509
FRT21B4AW1	240379005	A - 15, 16	4.25	509
FRT21C5AQ2	240379005	A - 15, 16	4.25	509
FRT21C5AW0	240379005	A - 15, 16	4.25	509
FRT21C5AW1	240379005	A - 15, 16	4.25	509
FRT21FD3AQ0	240379005	A - 15, 16	4.25	509
FRT21FD3AQ1	240379005	A - 15, 16	4.25	509
FRT21FD3AW0	240379005	A - 15, 16	4.25	509
FRT21FD3AW1	240379005	A - 15, 16	4.25	509
FRT21FR6AB0	240379005	A - 15, 16	4.25	509
FRT21FR6AB1	240379005	A - 15, 16	4.25	509
FRT21FR6AQ1	240379005	A - 15, 16	4.25	509
FRT21FR6AW0	240379005	A - 15, 16	4.25	509
FRT21FR6AW1	240379005	A - 15, 16	4.25	509

<b>FRIGIDAIRE MODELS</b>				
<b>Model</b>	<b>Service Data Sheets</b>		<b>R-134a Refrigerant Charge (ounces)</b>	<b>Energy Efficiency Rating (kwh/yr)</b>
	<b>Number</b>	<b>Pages</b>		
FRT21FS5AQ1	240379005	A - 15, 16	4.25	509
FRT21FS5AW0	240379005	A - 15, 16	4.25	509
FRT21G3AW0	240379005	A - 15, 16	4.25	509
FRT21GNHW3	218755000	A - 1, 2	5	741
FRT21ILRGD3	218755000	A - 1, 2	5.5	741
FRT21ILRGD4	218755000	A - 1, 2	5	741
FRT21ILRGW1	218755000	A - 1, 2	5.5	741
FRT21ILRGW3	218755000	A - 1, 2	5.5	741
FRT21ILRGW4	218755000	A - 1, 2	5	741
FRT21INGJB0	218755000	A - 1, 2	5.5	741
FRT21INGJB1	218755000	A - 1, 2	5	741
FRT21INGJD0	218755000	A - 1, 2	5.5	741
FRT21INGJD1	218755000	A - 1, 2	5	741
FRT21INGJW0	218755000	A - 1, 2	5.5	741
FRT21INGJW1	218755000	A - 1, 2	5	741
FRT21INLHB1	218755000	A - 1, 2	5.5	741
FRT21INLHB2	218755000	A - 1, 2	5.5	741
FRT21INLHB3	218755000	A - 1, 2	5.5	741
FRT21INLHB4	218755000	A - 1, 2	5	741
FRT21INLHD1	218755000	A - 1, 2	5.5	741
FRT21INLHD2	218755000	A - 1, 2	5.5	741
FRT21INLHD3	218755000	A - 1, 2	5.5	741
FRT21INLHD4	218755000	A - 1, 2	5	741
FRT21INLHW1	218755000	A - 1, 2	5.5	741
FRT21INLHW2	218755000	A - 1, 2	5.5	741
FRT21INLHW3	218755000	A - 1, 2	5.5	741
FRT21INLHW4	218755000	A - 1, 2	5	741
FRT21INLHW5	218755000	A - 1, 2	5	741
FRT21IQRJD0	218755000	A - 1, 2	5.5	741

<b>FRIGIDAIRE MODELS</b>				
<b>Model</b>	<b>Service Data Sheets</b>		<b>R-134a Refrigerant Charge (ounces)</b>	<b>Energy Efficiency Rating (kwh/yr)</b>
	<b>Number</b>	<b>Pages</b>		
FRT21IQRJW0	218755000	A - 1, 2	5.5	741
FRT21IQRJW1	218755000	A - 1, 2	5	741
FRT21IQRJZ1	218755000	A - 1, 2	5	741
FRT21KD3AQ0	240379005	A - 15, 16	4.25	509
FRT21KD3AW0	240379005	A - 15, 16	4.25	509
FRT21KR6AB1	240379005	A - 15, 16	4.25	509
FRT21KR6AQ0	240379005	A - 15, 16	4.25	509
FRT21KS5AQ0	240379005	A - 15, 16	4.25	509
FRT21KS5AW0	240379005	A - 15, 16	4.25	509
FRT21LRGD3	218755000	A - 1, 2	5.5	741
FRT21LRGD5	218755000	A - 1, 2	5.5	741
FRT21LRGD6	218755000	A - 1, 2	5.5	741
FRT21LRGD7	218755000	A - 1, 2	5	741
FRT21LRGD8	218755000	A - 1, 2	5.5	741
FRT21LRGD9	218755000	A - 1, 2	5	741
FRT21LRGW3	218755000	A - 1, 2	5.5	741
FRT21LRGW5	218755000	A - 1, 2	5.5	741
FRT21LRGW6	218755000	A - 1, 2	5.5	741
FRT21LRGW7	218755000	A - 1, 2	5	741
FRT21LRGW8	218755000	A - 1, 2	5.5	741
FRT21LRGW9	218755000	A - 1, 2	5	741
FRT21NGJB0	218755000	A - 1, 2	5.5	741
FRT21NGJB1	218755000	A - 1, 2	5.5	741
FRT21NGJB2	218755000	A - 1, 2	5.5	741
FRT21NGJB3	218755000	A - 1, 2	5	741
FRT21NGJD0	218755000	A - 1, 2	5.5	741
FRT21NGJD1	218755000	A - 1, 2	5.5	741
FRT21NGJD2	218755000	A - 1, 2	5.5	741
FRT21NGJD3	218755000	A - 1, 2	5	741

<b>FRIGIDAIRE MODELS</b>				
<b>Model</b>	<b>Service Data Sheets</b>		<b>R-134a Refrigerant Charge (ounces)</b>	<b>Energy Efficiency Rating (kwh/yr)</b>
	<b>Number</b>	<b>Pages</b>		
FRT21NGJW0	218755000	A - 1, 2	5.5	741
FRT21NGJW1	218755000	A - 1, 2	5.5	741
FRT21NGJW2	218755000	A - 1, 2	5.5	741
FRT21NGJW3	218755000	A - 1, 2	5	741
FRT21NNHD4	218755000	A - 1, 2	5.5	741
FRT21NNHW4	218755000	A - 1, 2	5.5	741
FRT21NRHB4	218755000	A - 1, 2	5.5	741
FRT21NRHB5	218755000	A - 1, 2	5	741
FRT21NRH44	218755000	A - 1, 2	5.5	741
FRT21NRHD5	218755000	A - 1, 2	5	741
FRT21NRHW3	218755000	A - 1, 2	5.5	741
FRT21NRHW4	218755000	A - 1, 2	5.5	741
FRT21NRHW5	218755000	A - 1, 2	5	741
FRT21P5AQ1	240379005	A - 15, 16	4.25	509
FRT21P5AW0	240379003	A - 11, 12	4.25	509
FRT21P5AW1	240379005	A - 15, 16	4.25	509
FRT21PRHW5	218755000	A - 1, 2	5.5	741
FRT21PRHW7	218755000	A - 1, 2	5	741
FRT21QRJD0	218755000	A - 1, 2	5.5	741
FRT21QRJD1	218755000	A - 1, 2	5.5	741
FRT21QRJD2	218755000	A - 1, 2	5.5	741
FRT21QRJD3	218755000	A - 1, 2	5	741
FRT21QRJW0	218755000	A - 1, 2	5.5	741
FRT21QRJW1	218755000	A - 1, 2	5.5	741
FRT21QRJW3	218755000	A - 1, 2	5	741
FRT21QRJY2	218755000	A - 1, 2	5.5	741
FRT21QRJZ2	218755000	A - 1, 2	5.5	741
FRT21R6AQ1	240379005	A - 15, 16	4.25	509
FRT21R6AW1	240379005	A - 15, 16	4.25	509

<b>FRIGIDAIRE MODELS</b>				
<b>Model</b>	<b>Service Data Sheets</b>		<b>R-134a Refrigerant Charge (ounces)</b>	<b>Energy Efficiency Rating (kwh/yr)</b>
	<b>Number</b>	<b>Pages</b>		
FRT21RRJD0	218901900	A - 7, 8	4.5	740
FRT21RRJW0	218901900	A - 7, 8	4.5	740
FRT21RRJW1	218901900	A - 7, 8	4.5	740
FRT21S6AB1	240379005	A - 15, 16	4.25	509
FRT21S6AQ0	240379005	A - 15, 16	4.25	509
FRT21S6AQ1	240379005	A - 15, 16	4.25	509
FRT21S6AW0	240379005	A - 15, 16	4.25	509
FRT21S6AW1	240379005	A - 15, 16	4.25	509
FRT22FR4JQ0	218901900	A - 7, 8	4.5	740
FRT22FR4JQ1	218901900	A - 7, 8	3.75	740
FRT22FR4JW0	218901900	A - 7, 8	4.5	740
FRT22FR4JW1	218901900	A - 7, 8	3.75	740
FRT22INLHC0	218901900	A - 7, 8	4.5	740
FRT22INLHC1	218901900	A - 7, 8	3.75	740
FRT22INLHC2	218901900	A - 7, 8	3.75	740
FRT22INLHD0	218901900	A - 7, 8	4.5	740
FRT22INLHD1	218901900	A - 7, 8	4.5	740
FRT22INLHD2	218901900	A - 7, 8	4.5	740
FRT22INLHD3	218901900	A - 7, 8	4.5	740
FRT22INLHD4	218901900	A - 7, 8	3.75	740
FRT22INLHW1	218901900	A - 7, 8	4.5	740
FRT22INLHW2	218901900	A - 7, 8	4.5	740
FRT22INLHW3	218901900	A - 7, 8	4.5	740
FRT22INLHW4	218901900	A - 7, 8	3.75	740
FRT22INLHW5	218901900	A - 7, 8	3.75	740
FRT22IRSHB0	218901800	A - 5, 6	4.5	740
FRT22IRSHB1	218901800	A - 5, 6	4.5	740
FRT22IRSHB2	218901800	A - 5, 6	4.5	740
FRT22IRSHB3	218901800	A - 5, 6	4.5	740

<b>FRIGIDAIRE MODELS</b>				
<b>Model</b>	<b>Service Data Sheets</b>		<b>R-134a Refrigerant Charge (ounces)</b>	<b>Energy Efficiency Rating (kwh/yr)</b>
	<b>Number</b>	<b>Pages</b>		
FRT22IRSHB4	218901800	A - 5, 6	3.75	740
FRT22IRSHB5	218901800	A - 5, 6	3.75	740
FRT22IRSHK0	218901800	A - 5, 6	4.5	740
FRT22IRSHK1	218901800	A - 5, 6	4.5	740
FRT22IRSHK2	218901800	A - 5, 6	4.5	740
FRT22IRSHK3	218901800	A - 5, 6	4.5	740
FRT22IRSHK4	218901800	A - 5, 6	3.75	740
FRT22IRSHK5	218901800	A - 5, 6	3.75	740
FRT22KR4JQ0	218901900	A - 7, 8	4.5	740
FRT22KR4JQ1	218901900	A - 7, 8	3.75	740
FRT22KR4JW0	218901900	A - 7, 8	4.5	740
FRT22KR4JW1	218901900	A - 7, 8	3.75	740
FRT22QGJB1	218901800	A - 5, 6	4.5	740
FRT22QGJB3	218901800	A - 5, 6	3.75	740
FRT22QGJD1	218901800	A - 5, 6	4.5	740
FRT22QGJD3	218901800	A - 5, 6	3.75	740
FRT22QGJW1	218901800	A - 5, 6	4.5	740
FRT22QGJW2	218901800	A - 5, 6	4.5	740
FRT22QGJW3	218901800	A - 5, 6	3.75	740
FRT22RGHW0	218901800	A - 5, 6	4.5	740
FRT22RGJB0	218901900	A - 7, 8	4.5	740
FRT22RGJB1	218901900	A - 7, 8	4.5	740
FRT22RGJB2	218901900	A - 7, 8	3.75	740
FRT22RGJD0	218901900	A - 7, 8	4.5	740
FRT22RGJD1	218901900	A - 7, 8	4.5	740
FRT22RGJD2	218901900	A - 7, 8	3.75	740
FRT22RGJW0	218901900	A - 7, 8	4.5	740
FRT22RGJW1	218901900	A - 7, 8	4.5	740
FRT22RGJW2	218901900	A - 7, 8	3.75	740

<b>FRIGIDAIRE MODELS</b>				
<b>Model</b>	<b>Service Data Sheets</b>		<b>R-134a Refrigerant Charge (ounces)</b>	<b>Energy Efficiency Rating (kwh/yr)</b>
	<b>Number</b>	<b>Pages</b>		
FRT22RRHB1	218901900	A - 7, 8	4.5	740
FRT22RRHD1	218901900	A - 7, 8	4.5	740
FRT22RRHD2	218901900	A - 7, 8	4.5	740
FRT22RRHD3	218901900	A - 7, 8	4.5	740
FRT22RRHW1	218901900	A - 7, 8	4.5	740
FRT22RRHW2	218901900	A - 7, 8	4.5	740
FRT22RRHW3	218901900	A - 7, 8	4.5	740
GLHT184RAQ0	240379007	A - 19, 20	4	431
GLHT184RAW0	240379007	A - 19, 20	4	431
GLRT184RAQ0	240379007	A - 19, 20	4	479
GLRT184RAW0	240379007	A - 19, 20	4	479
GLRT186TAQ0	240379005	A - 15, 16	4	479
GLRT186TAW0	240379005	A - 15, 16	4	479
GLRT216TAB0	240379005	A - 15, 16	4.25	509
GLRT216TAQ0	240379005	A - 15, 16	4.25	509
GLRT216TAW0	240379005	A - 15, 16	4.25	509
NGS18TZAQ0	240379007	A - 19, 20	4	479
NGS18TZAW0	240379007	A - 19, 20	4	479

<b>AMANA MODELS</b>				
<b>Model</b>	<b>Service Data Sheets</b>		<b>R-134a Refrigerant Charge (ounces)</b>	<b>Energy Efficiency Rating (kwh/yr)</b>
	<b>Number</b>	<b>Pages</b>		
ART2105BB0	240379005	A - 15, 16	4.25	509
ART2105BC0	240379005	A - 15, 16	4.25	509
ART2105BW0	240379005	A - 15, 16	4.25	509
ART2107BB0	240379005	A - 15, 16	4.25	558
ART2107BC0	240379005	A - 15, 16	4.25	558
ART2107BS0	240379005	A - 15, 16	4.25	558
ART2107BW0	240379005	A - 15, 16	4.25	558
DRT1801BW0	240379005	A - 15, 16	4	479
DRT1802BC0	240379005	A - 15, 16	4	479
DRT1802BW0	240379005	A - 15, 16	4	479
DRT2102BC0	240379005	A - 15, 16	4.25	509
DRT2102BW0	240379005	A - 15, 16	4.25	509
DRT2142BC0	240379005	A - 15, 16	4.25	509
DRT2142BW0	240379005	A - 15, 16	4.25	509
<b>GIBSON MODELS</b>				
GRT13CRHD0	218758400	A - 3, 4	3.75	586
GRT13CRHD1	218758400	A - 3, 4	3.75	586
GRT13CRHW1	218758400	A - 3, 4	3.75	586
GRT16CNHD1	218758400	A - 3, 4	4.5	639
GRT16CNHD4	218755000	A - 1, 2	3.5	639
GRT16CNHW4	218755000	A - 1, 2	3.5	639
GRT16CRHD3	218758400	A - 3, 4	4.5	639
GRT16CRHD6	218755000	A - 1, 2	3.75	639
GRT16CRHW6	218755000	A - 1, 2	3.75	639
GRT16CRHZ4	218755000	A - 1, 2	3.75	639
GRT16CRHZ6	218755000	A - 1, 2	3.75	639
GRT18C6AQ0	240379006	A - 17, 18	4	479
GRT18C6AW0	240379006	A - 17, 18	4	479
GRT18DRHD0	218758400	A - 3, 4	5	683



<b>GIBSON MODELS</b>				
<b>Model</b>	<b>Service Data Sheets</b>		<b>R-134a Refrigerant Charge (ounces)</b>	<b>Energy Efficiency Rating (kwh/yr)</b>
	<b>Number</b>	<b>Pages</b>		
GRT18DRHD1	218758400	A - 3, 4	5	683
GRT18DRHW1	218758400	A - 3, 4	5	683
GRT18DRHD0	218758400	A - 3, 4	5	683
GRT18DRHW0	218758400	A - 3, 4	4.75	683
GRT18ISJHD1	218758400	A - 3, 4	5	683
GRT18ISJHD2	218758400	A - 3, 4	5	683
GRT18ISJHW1	218758400	A - 3, 4	5	683
GRT18ISJHW2	218758400	A - 3, 4	5	683
GRT18QNHD0	218758400	A - 3, 4	5	683
GRT18QNHD1	218758400	A - 3, 4	5	683
GRT18QNHD2	218758400	A - 3, 4	5	683
GRT18QNHW1	218758400	A - 3, 4	5	683
GRT18QNHW2	218758400	A - 3, 4	5	683
GRT18S6AQ0	240379006	A - 17, 18	4	479
GRT18S6AW0	240379006	A - 17, 18	4	479
GRT18SJHD0	218758400	A - 3, 4	5	683
GRT18SJHD1	218758400	A - 3, 4	5	683
GRT18SJHD2	218758400	A - 3, 4	5	683
GRT18SJHW1	218758400	A - 3, 4	5	683
GRT18SJHW2	218758400	A - 3, 4	5	683
GRT21IPRHD5	218755000	A - 1, 2	5.5	741
GRT21IPRHD6	218755000	A - 1, 2	5	741
GRT21IPRHW1	218755000	A - 1, 2	5.5	741
GRT21IPRHW5	218755000	A - 1, 2	5.5	741
GRT21IPRHW6	218755000	A - 1, 2	5	741
GRT21LRGD0	218755000	A - 1, 2	5.5	741
GRT21LRGD1	218755000	A - 1, 2	5.5	741
GRT21LRGW0	218755000	A - 1, 2	5.5	741
GRT21LRGW1	218755000	A - 1, 2	5.5	741

<b>GIBSON MODELS</b>				
<b>Model</b>	<b>Service Data Sheets</b>		<b>R-134a Refrigerant Charge (ounces)</b>	<b>Energy Efficiency Rating (kwh/yr)</b>
	<b>Number</b>	<b>Pages</b>		
GRT21LRGW2	218755000	A - 1, 2	5	741
GRT21PRHD4	218755000	A - 1, 2	5.5	741
GRT21PRHD5	218755000	A - 1, 2	5.5	741
GRT21PRHD6	218755000	A - 1, 2	5	741
GRT21PRHW1	218755000	A - 1, 2	5.5	741
GRT21PRHW5	218755000	A - 1, 2	5.5	741
GRT21PRHW6	218755000	A - 1, 2	5	741
<b>UNIVERSAL - MULTIFLEX MODELS</b>				
MRT13BSCW6	218758400	A - 3, 4	3.75	586
MRT15CSEWD	218755000	A - 1, 2	3.75	639
MRT15CSEWN	218758400	A - 3, 4	4.5	639
MRT15CSEWP	218758400	A - 3, 4	4.25	639
MRT18BSCW7	218758400	A - 3, 4	5	683
MRT18CSHD0	218758400	A - 3, 4	5	683
MRT18CSHW0	218758400	A - 3, 4	5	683
MRT18CSHW1	218758400	A - 3, 4	5	683
MRT18DNGW2	218758400	A - 3, 4	5	683
MRT18GRGW2	218758400	A - 3, 4	5	683
MRT18N3JW0	218758400	A - 3, 4	5	683
MRT18N3JW1	218758400	A - 3, 4	5	683
MRT18NRJW0	218758400	A - 3, 4	5	683
MRT18NRJW1	218758400	A - 3, 4	5	683
MRT18PNHW0	218758400	A - 3, 4	5	683
MRT18SJHW1	218758400	A - 3, 4	5	683
MRT18TRFW4	218758400	A - 3, 4	5	683
<b>TAPPAN MODELS</b>				
TRT16NRHW1	218758400	A - 3, 4	4.5	639
TRT16NRHW4	218755000	A - 3, 4	3.75	639
TRT18GRED5	218758400	A - 3, 4	5	683

<b>TAPPAN MODELS</b>				
<b>Model</b>	<b>Service Data Sheets</b>		<b>R-134a Refrigerant Charge (ounces)</b>	<b>Energy Efficiency Rating (kwh/yr)</b>
	<b>Number</b>	<b>Pages</b>		
TRT18GRED7	218758400	A - 3, 4	5	683
TRT18GREW7	218758400	A - 3, 4	5	683
TRT18NRHW1	218758400	A - 3, 4	5	683
TRT22MRHW2	218901900	A - 7, 8	4.5	740
<b>WHITE - WESTINGHOUSE MODELS</b>				
WRT13CRJW0	218758400	A - 3, 4	3.75	586
WRT13GRHW0	218758400	A - 3, 4	3.75	586
WRT13GRHD1	218758400	A - 3, 4	3.75	586
WRT13GRHW1	218758400	A - 3, 4	3.75	586
WRT15CSDH2	218755000	A - 1, 2	3.75	639
WRT15CSDH4	218755000	A - 1, 2	3.75	639
WRT15CSHW2	218755000	A - 1, 2	3.75	639
WRT15CSHW3	218758400	A - 3, 4	4.25	639
WRT16NRHD4	218755000	A - 1, 2	3.75	639
WRT16NRHD6	218755000	A - 1, 2	4.75	639
WRT16NRHW1	218758400	A - 3, 4	4.5	639
WRT16NRHW6	218755000	A - 1, 2	3.75	639
WRT18A0AW0	240379006	A - 17, 18	4	479
WRT18CSHW1	218758400	A - 3, 4	5	683
WRT18G4AW0	240379006	A - 17, 18	4	479
WRT18NRHD1	218758400	A - 3, 4	5	683
WRT18NRHD2	218758400	A - 3, 4	5	683
WRT18NRHW1	218758400	A - 3, 4	5	683
WRT18NRHW2	218758400	A - 3, 4	5	683

# **TROUBLESHOOTING GUIDE**

<b>PROBLEM</b>	<b>CAUSE</b>	<b>REMEDY</b>
Compressor will not run.	No voltage at wall receptacle.	Check circuit breaker, fuse, or ground fault circuit interuptions.
	Service cord defective, or unplugged at wall receptacle.	Check cord.
	Low voltage causing compressor to cycle on overload.	Voltage fluctuation should not exceed +/- 10% of 115VAC. (104 - 127 VAC)
	Control thermostat knob in OFF position.	Turn control thermostat knob to ON position.
	Inoperative control thermostat.	Replace control thermostat.
	Compressor stuck.	Replace compressor.
	Compressor windings open.	Replace compressor.
	Defrost timer stuck in defrost mode.	Replace defrost timer.
	Compressor overload stuck open.	Replace compressor overload.
	Relay lead loose.	Repair or replace lead.
	Relay loose or inoperative.	Replace relay.
	Service cord pulled out of harness.	Repair connection.
	Faulty cabinet wiring.	Repair wiring.
Compressor runs but does not cool.	System out of refrigerant.	Check for leaks. *
	Compressor not pumping.	Replace compressor. *
	Restricted filter drier.	Replace filter drier. *
	Restricted capillary tube.	Replace heat exchanger and evaporator assembly. *
	Moisture in system.	See NOTE. *

- \* NOTE:**
- Repair or replace component that is leaking.
  - Replace the compressor if the system is contaminated.
  - Blow out remaining part of system with dry Nitrogen.
  - Pump down and recharge per listing on product serial plate.
  - Always replace filter drier when repairing sealed system.

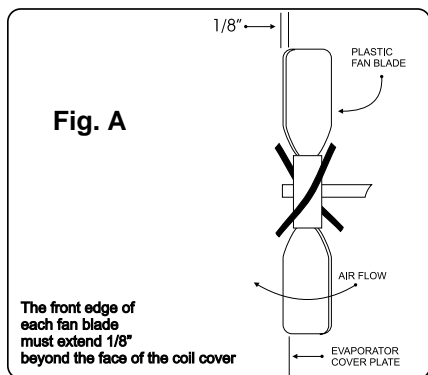
<b>PROBLEM</b>	<b>CAUSE</b>	<b>REMEDY</b>
Compressor short cycles.	Erratic control thermostat.	Replace control thermostat.
	Faulty relay.	Replace relay.
	Restricted air flow over condenser.	Ensure unobstructed air flow over condenser.
	Low voltage. Fluctuation exceeds +/- 10% of nominal rating.	Call qualified electrician.
	Compressor draws excessive wattage.	Replace compressor.
Compressor runs too much.	Control thermostat is erratic, or not properly set.	Replace control thermostat or reset to normal position.
	Refrigerator exposed to unusual heat. (110° or higher)	Move refrigerator to cooler location.
	High room temperature. (110° or higher)	Advise customer not to install refrigerator where temperature will rise above 110°F because compressor will not maintain proper temperature.
	Low pumping capacity compressor.	Replace compressor.
	Door gaskets not sealing.	Adjust doors or replace door gasket.
	System undercharged.	Check for leaks. *
	System overcharged.	Charge per listing on product serial plate. *
	Interior light stays on.	Check door switch and door adjustment.
	Contaminants in system.	Flush out system. Replace filter drier, evacuate and recharge. *
	Capillary tube kinked or partially restricted.	Replace heat exchanger and evaporator assembly. *
	Filter drier partially restricted.	Replace filter drier. *
	Refrigerator and/or freezer compartment overloaded; poor air circulation.	Advise customer.
	Restricted air flow over condenser.	Ensure unobstructed air flow over condenser.
	Condenser fan motor is inoperative. (forced air condenser models only)	Replace condenser fan motor.

\* See NOTE at bottom of page 19.

PROBLEM	CAUSE	REMEDY
---------	-------	--------

Noisy	Tubing vibrates.	Adjust tubing.
	Internal compressor noise.	Replace compressor.
	Loose parts.	Check shelving.
	Compressor operating at high head pressure due to restricted air flow over condenser.	Ensure unobstructed air flow over condenser.

Freezer compartment too warm.



**Fig. A**

The front edge of each fan blade must extend 1/8" beyond the face of the coil cover

Inoperative evaporator fan motor.	Check wiring and evaporator fan motor.
Improperly positioned fan blade.	Position fan blade properly. See Fig. A.
Evaporator frosted up.	Check defrost system, door adjustment, and door gasket.
Inoperative condenser fan motor. (forced air condenser models only)	Replace condenser fan motor.
Restricted air flow over condenser.	Clean condenser.
Freezer compartment overloaded; poor air circulation.	Advise customer.
Low room temperatures. (60° or lower, 55° for models with Service Data Sheet numbers 240379001-7.)	Advise customer not to install refrigerator where temperature will drop below 60° F. Compressor will not maintain proper temperature.
Freezer or refrigerator compartment doors left open.	Advise customer.
Control thermostat out of calibration.	Replace control thermostat.
Door gaskets not sealing.	Adjust or replace necessary parts.
Control thermostat capillary tube improperly positioned.	Reposition sensing element.
Shortage of refrigerant.	Check for leaks. *
Restricted filter drier or capillary tube.	Check for leaks or burnt compressor windings. *

Freezer compartment too cold.

Inoperative cold control.	Replace cold control.
Freezer compartment inlet air duct is loose or restricted. Door loose.	Reinstall air duct or remove obstruction from inlet air duct. Adjust door.
Food compartment air return duct blocked.	If foam block is frozen, replace block; if duct is blocked, remove obstruction.
Diffuser(foam block) in top of food compartment is blocked. (Foam block located in Control Housing for models with Service DataSheet numbers 240379001-7.)	Replace diffuser.

\* See NOTE at bottom of page 19.

<b>PROBLEM</b>	<b>CAUSE</b>	<b>REMEDY</b>
Refrigerator compartment too warm.	Inoperative evaporator fan motor.	Check wiring and evaporator fan motor.
	Improperly positioned evaporator fan blade.	Position fan blade properly. See page 21, Figure A.
	Refrigerator compartment inlet air duct loose or restricted. Door loose.	Reinstall air duct or remove obstruction from air duct. Adjust door.
	Freezer compartment return air duct loose or restricted. Door loose.	Remove obstruction from air duct.
	Low room temperatures. (60° or lower, 55° for models with Service Data Sheet numbers 240379001-7.)	Advise customer not to install refrigerator where temperature will drop below 60° F. Compressor will not maintain proper temperature.
	Damper control out of calibration.	Replace damper control.
	Control thermostat knob set at too warm a setting.	Set control knob to a colder position.
	Evaporator frosted up.	Check defrost system, door adjustment, and door gaskets.
	Refrigerator compartment overloaded; poor air circulation.	Advise customer.
	Refrigerator compartment or freezer compartment door left open.	Advise customer.
	Inoperative or erratic refrigerator compartment and/or freezer compartment door switch.	Replace door switch.
Refrigerator compartment too cold.	Shortage of refrigerant.	Check for leaks. *
	Restricted capillary tube or filter drier.	Check for leaks or burnt compressor windings. *
	Inoperative cold control.	Replace cold control.
	Refrigerator compartment inlet air duct loose or restricted. Door is loose.	Re-install air duct or remove obstruction from air duct. Adjust door.
	Diffuser(foam block) in top of food compartment is blocked. (Foam block located in Control Housing for models with Service DataSheet numbers 240379001-7.)	Replace diffuser.

\* See NOTE at bottom of page 19..

PROBLEM	CAUSE	REMEDY
Evaporator blocked with ice. (See Adaptive Defrost Control section below for models with Service Data Sheet numbers 240379001-7.)	Inoperative defrost timer.	Check wiring. Repair or replace defrost timer.
	Defrost thermostat terminates too early.	Check for correct positioning of defrost thermostat. Repair or replace.
	Freezer or refrigerator compartment doors left open.	Advise customer.
	Heat exchanger and wiring harness entrance hole not sealed.	Seal entrance hole with Permagum or (Food Safe) RTV.
	Ice Maker water line and wiring harness openings not sealed.	Seal water line and wiring harness openings.
	Door seals not sealing.	Replace seals and/or adjust doors.
Frozen drain.	Drain trough not properly formed.	Ensure drain trough is at 90° angle to back of freezer and that lip is up on front and ends.
	Divider (foam block) frozen. (This does not apply for models with Service Data Sheet numbers 240379001-7.)	Replace divider. Check drain trough.
Adaptive Defrost Control (ADC) not responding correctly. (Only on models having a Service DataSheet number from 240379001-7.)	Faulty ADC board.	Replace ADC board.

\* See NOTE at bottom of page 19.







# SERVICE DATA SHEET

218758400

## STANDARD - AUTOMATIC DEFROST

## TOP FREEZER MODELS

PERFORMANCE DATA NO LOAD AND NO DOOR OPENINGS AT MID-POINT CONTROL SETTING					
Type A With Run Capacitor	Type B With No Capacitor	65°F Ambient		90°F Ambient	
		Type A	Type B	Type A	Type B
Operating Time		30 to 45%	35 to 45%	54 to 65%	55 to 67%
Freezer Temperature		0° to 8°F	0° to 6°F	0° to 6°F	0° to 6°F
Refrigerator Temperature		35° to 40°F	35° to 40°F	35° to 40°F	35° to 40°F
Low Side Pressure (cut-in)		6 to 13 psig	6 to 9 psig	6 to 13 psig	6 to 9 psig
Low Side Pressure (cut-out)		-2 to +2 psig	-2 to +2 psig	-2 to +3 psig	-2 to +2 psig
High Side Pressure - PSIG (Last 1/3 of cycle)		105 to 115	105 to 115	160 to 185	160 to 185
Wattage (Last 1/3 of cycle)		150 to 200	190 - 220	150 to 200	190 - 220
Amps (Running)		1.3 to 1.8	2.2 to 2.6	1.3 to 1.8	2.2 to 2.6
Base Voltage		115 VAC	115 VAC	115 VAC	115 VAC
DEFROST SPECIFICATIONS					
Cabinet Size	Thermostat		Heater		
	Cut-in	Cut-out	Watts	Ohms	
13' to 17'	+25°F	+47°F	400	33	
18'	+25°F	+47°F	475	28	
Defrost 21 Minutes Every 8 Hours of Compressor Run Time					
CONDENSER FAN MOTOR					
Watts	RPM	Amps			
2.3	1300 CW Opposite Shaft	.15 Running			
THERMOSTATIC DAMPER					
	Full Open	Closed			
	33°F +/- 2°F	22°F +/- 2°F			
ICE MAKER SPECIFICATIONS					
Electrical	115 Volts	60 Hertz			
Thermostat	Opens at 48°F	Closes at 15°F			
Heater Wattage	165				

### IMPORTANT SAFETY NOTICE

The information provided herein is designed to assist qualified repair personnel only. Untrained persons should not attempt to make repairs due to the possibility of electrical shock. Disconnect power cord before servicing.

### IMPORTANT

If any green grounding wires are moved during servicing, they must be returned to their original position and properly secured.

**CAUTION:** System parts must be removed from cabinet before brazing. All electrical parts and wiring must be shielded from torch flame. Do not allow torch to contact insulation; it will char at 200°F and flash ignite (burn) at 500°F. Excessive heat will distort the plastic liner.

### ICE MAKER INFORMATION

#### Test Cycling

Remove cover by inserting screwdriver in notch at bottom and prying cover from housing. Use screwdriver to rotate motor gear counterclockwise until holding switch circuit is completed. All components of ice maker should function to complete the cycle.

#### Water Fill Volume

The water fill adjustment screw will change the fill time. One full turn is equal to 20cc (.68 oz.). The correct fill is 90 to 120cc (3.0 to 4.0 oz.). When a water valve is replaced, the fill volume must be checked.

## ATTENTION SERVICERS

Get a HELPING HAND by visiting the Electrolux Home Product Web Site where you can access Service Bulletins, New and Old Product Repair Tips, Service Kits, an interactive Service Request Form, and FAQ's. Visit the site at:

<http://www.frigidaire.com/tip>

User Name: service

Password: tip

And now available at <http://www.frigidaire.com> are the following:

- Wiring Diagrams
- Owner's Guides
- Installation Instructions
- Parts Catalogs

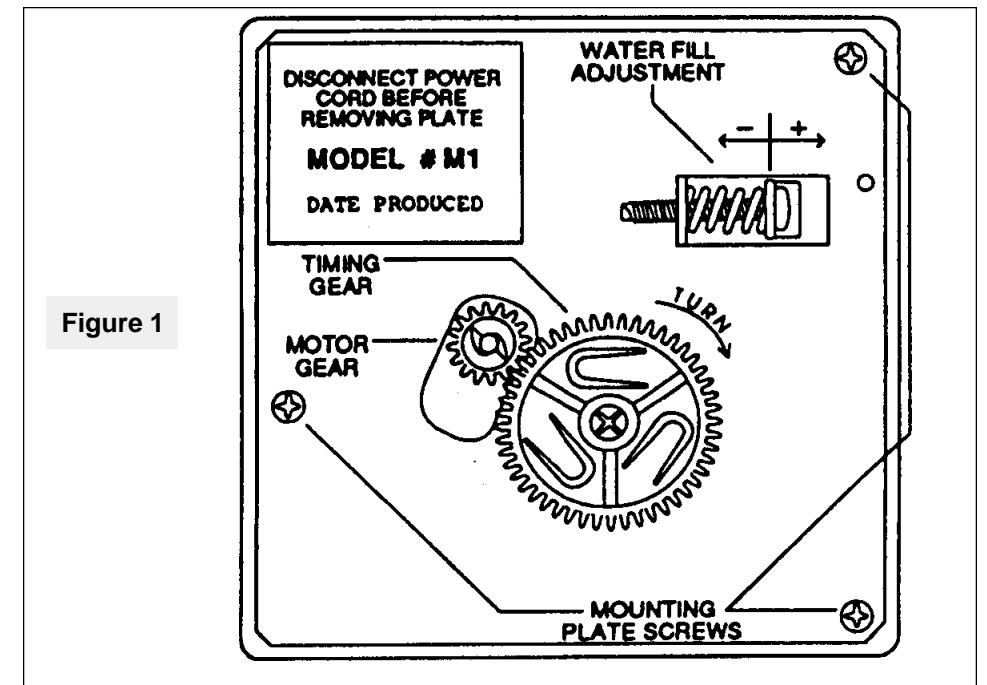
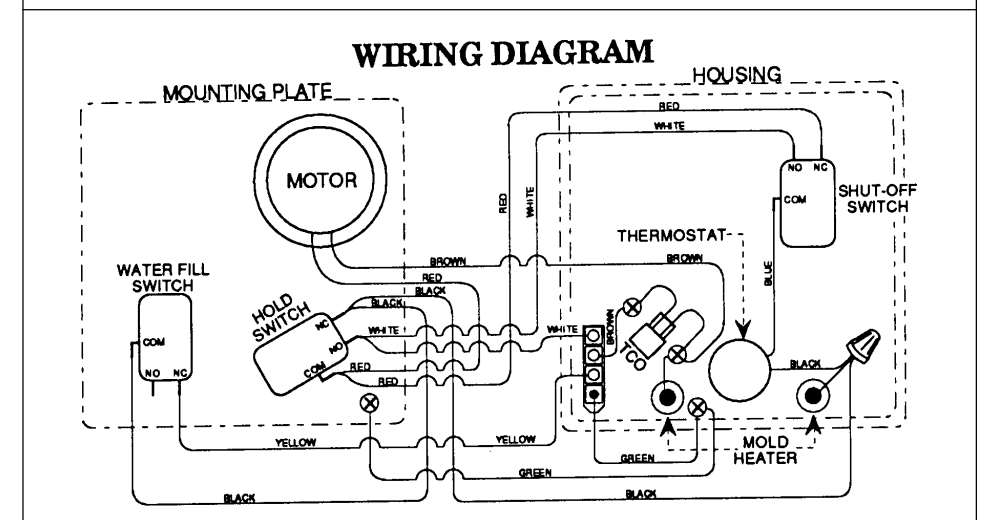
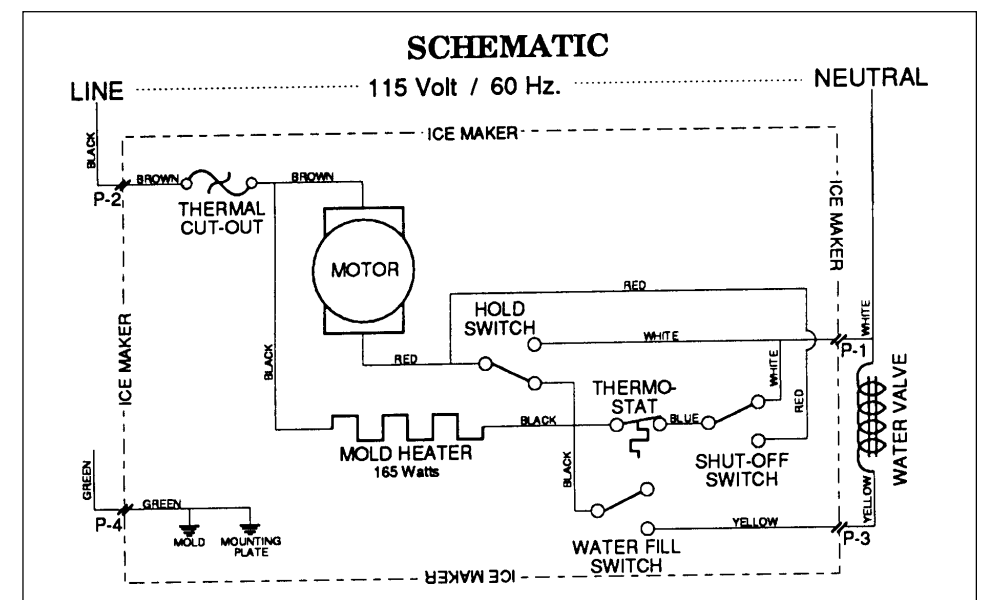
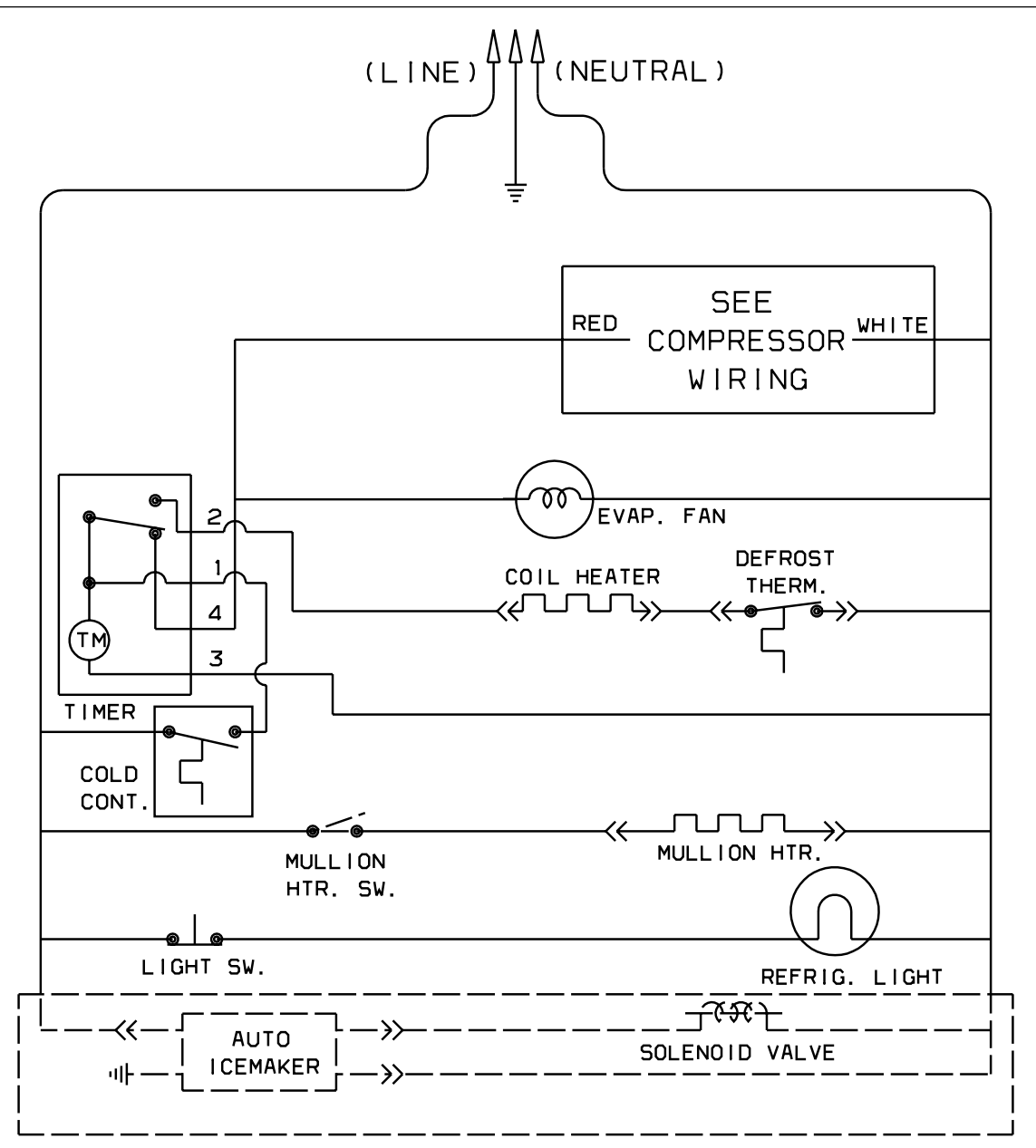
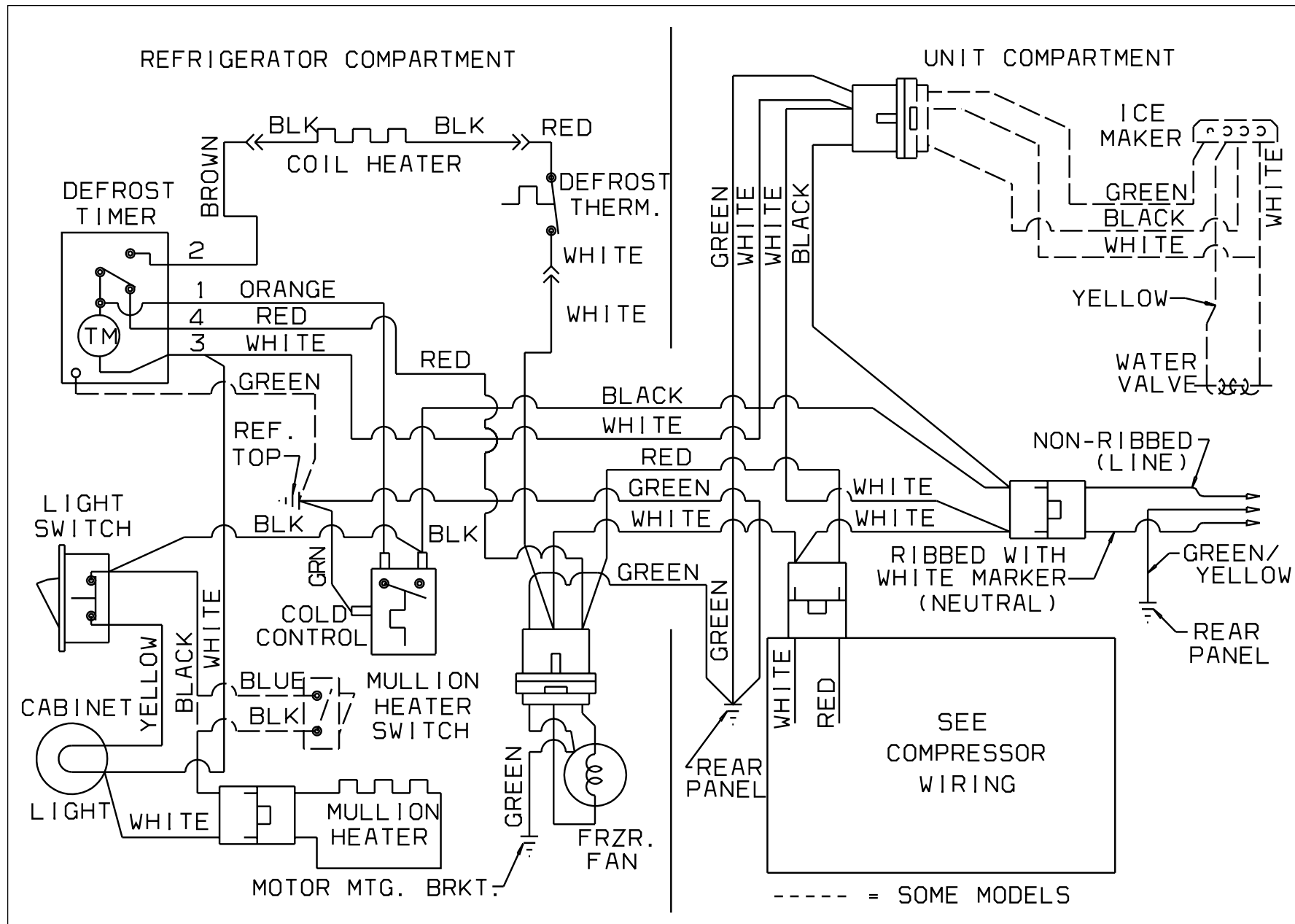
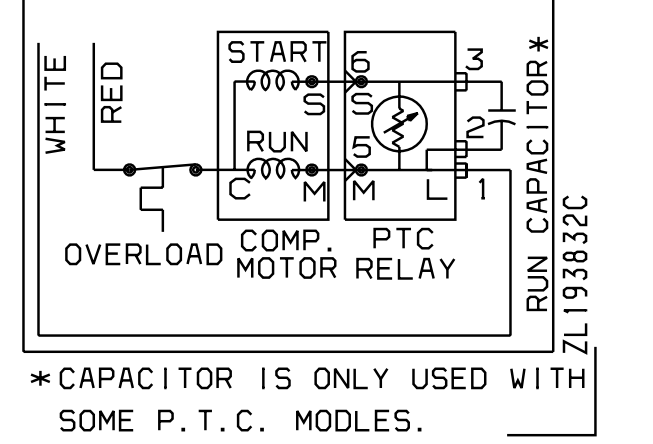


Figure 1

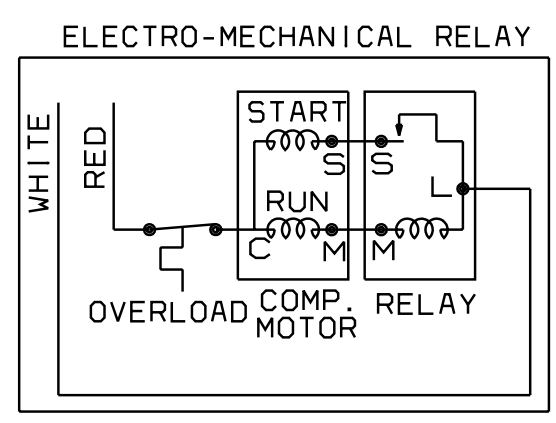




P.T.C. RELAY WITH RUN CAPACITOR



COMPRESSOR WIRING



# SERVICE DATA SHEET

218901800

## STANDARD - AUTOMATIC DEFROST

## TOP FREEZER MODELS

PERFORMANCE DATA NO LOAD AND NO DOOR OPENINGS AT MID-POINT CONTROL SETTING				
Type A With Run/Start Capacitor	65°F Ambient	90°F Ambient		
Operating Time	25 to 35%	45 to 55%		
Freezer Temperature	2° to 8°F	0° to 5°F		
Refrigerator Temperature	35° to 40°F	35° to 40°F		
Low Side Pressure (cut-in)	8 to 16 psig	8 to 16 psig		
Low Side Pressure (cut-out)	1 to 4 psig	1 to 6 psig		
High Side Pressure (Last 1/3 of cycle)	110 to 120 psig	150 to 175 psig		
Wattage (Last 1/3 of cycle)	150 to 200	150 to 200		
Amps (Running)	1.3 to 1.8	1.3 to 1.8		
Base Voltage	115 VAC	115 VAC		
DEFROST SPECIFICATIONS				
Cabinet Size	Thermostat		Heater	
	Cut-in	Cut-out	Watts	Ohms
20' to 22'	+25°F	+47°F	475	28
24 - 26'	+25°F	+47°F	550	24
Defrost 21 Minutes Every 8 Hours of Compressor Run Time				
CONDENSER FAN MOTOR				
Watts	RPM	Amps		
2.3	1300 CW Opposite Shaft	.15 Running		
THERMOSTATIC DAMPER				
Full Open		Closed		
33°F +/- 2°F		22°F +/- 2°F		
ICE MAKER SPECIFICATIONS				
Electrical	115 Volts	60 Hertz		
Thermostat	Opens at 48°F	Closes at 15°F		
Heater Wattage	165			

### IMPORTANT SAFETY NOTICE

The information provided herein is designed to assist qualified repair personnel only. Untrained persons should not attempt to make repairs due to the possibility of electrical shock. Disconnect power cord before servicing.

### IMPORTANT

If any green grounding wires are moved during servicing, they must be returned to their original position and properly secured.

**CAUTION:** System parts must be removed from cabinet before brazing. All electrical parts and wiring must be shielded from torch flame. Do not allow torch to contact insulation; it will char at 200°F and flash ignite (burn) at 500°F. Excessive heat will distort the plastic liner.

### ICE MAKER INFORMATION

#### Test Cycling

Remove cover by inserting screwdriver in notch at bottom and prying cover from housing. Use a screwdriver to rotate motor gear counterclockwise until holding switch circuit is completed. All components of ice maker should function to complete the cycle.

#### Water Fill Volume

The water fill adjustment screw will change the fill time. One full turn is equal to 20cc (.68 oz.). The correct fill is 90 to 120cc (3.0 to 4.0 oz.). When a water valve is replaced, the fill volume must be checked.

## ATTENTION SERVICERS

Get a HELPING HAND by visiting the Electrolux Home Product Web Site where you can access Service Bulletins, New and Old Product Repair Tips, Service Kits, an interactive Service Request Form, and FAQ's. Visit the site at:

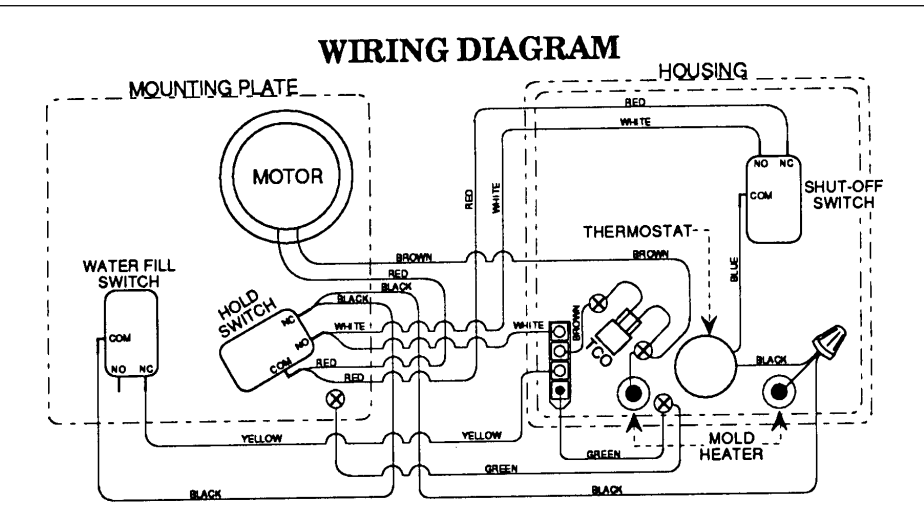
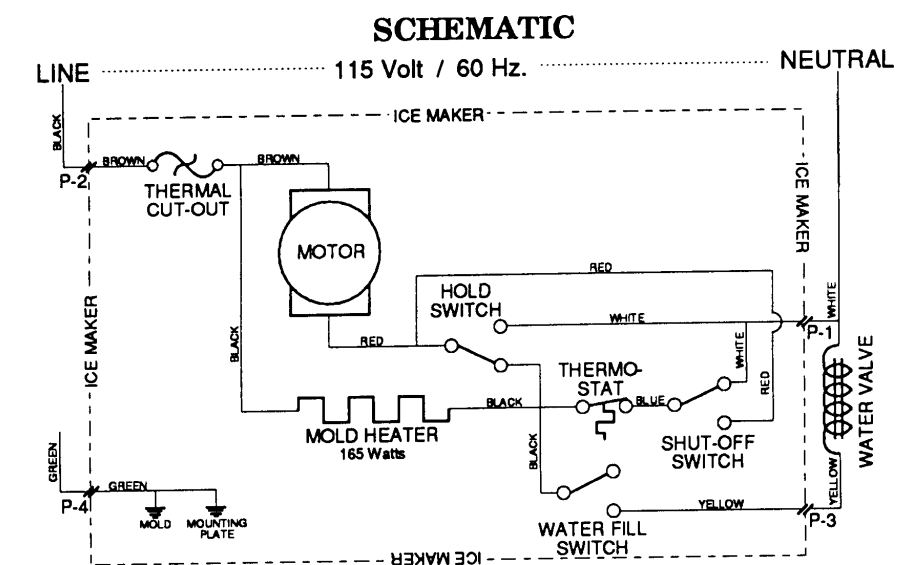
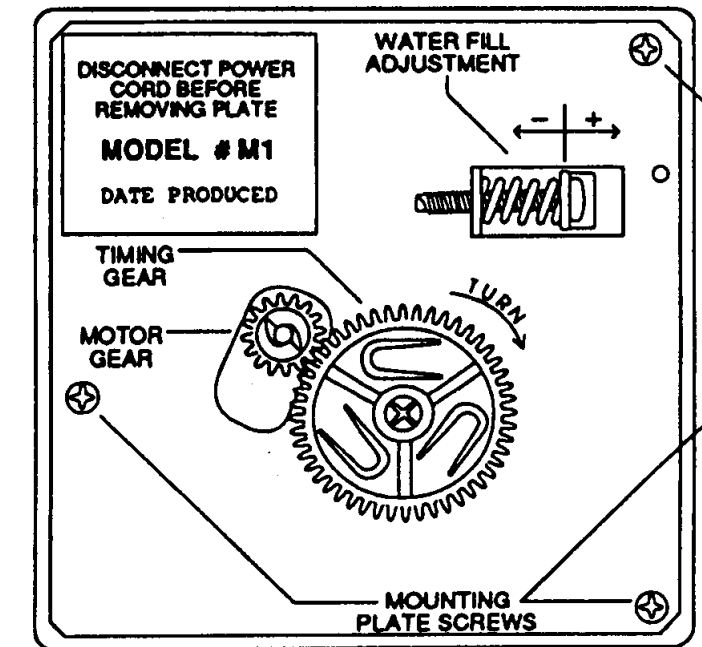
<http://www.frigidaire.com/tip>

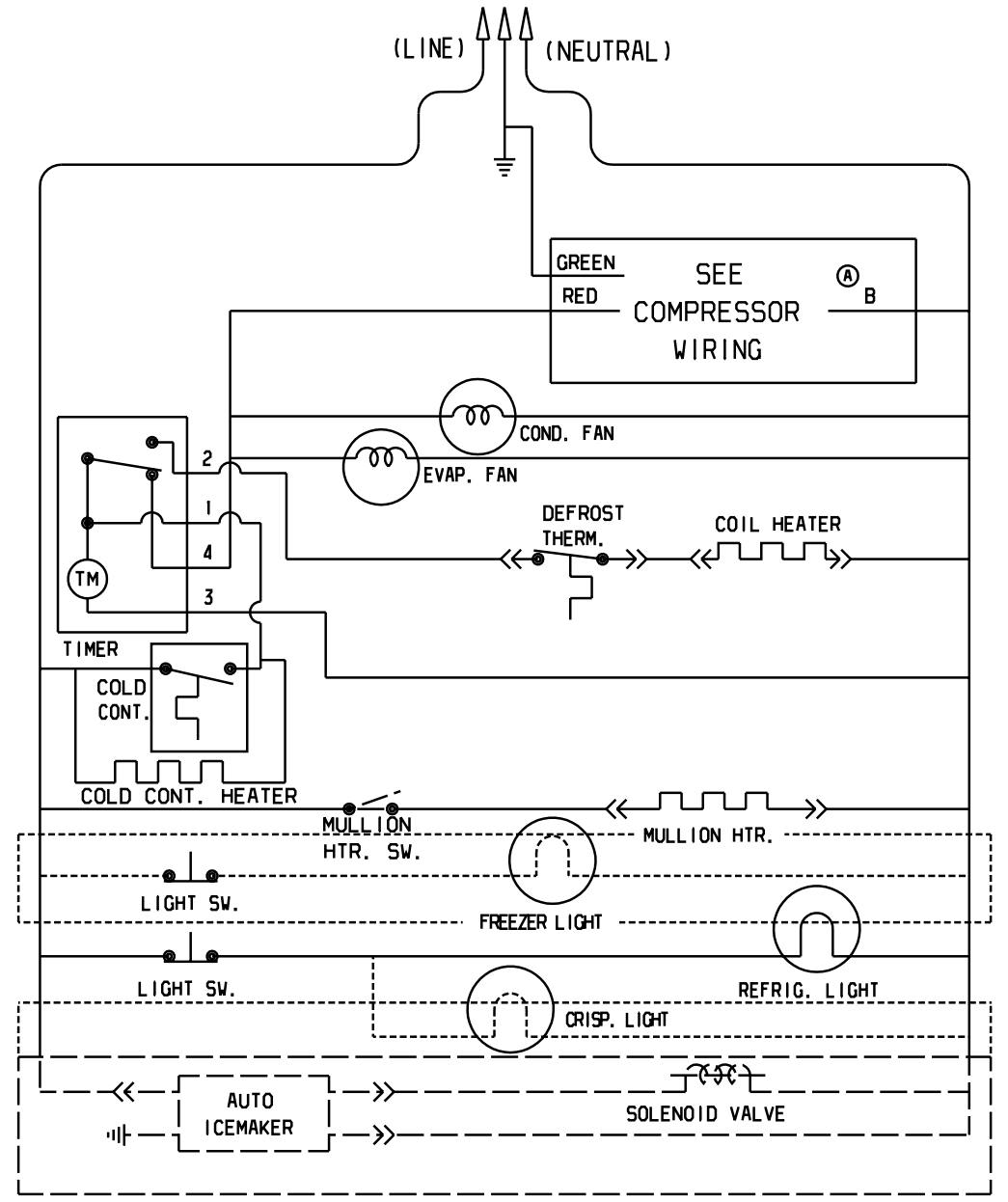
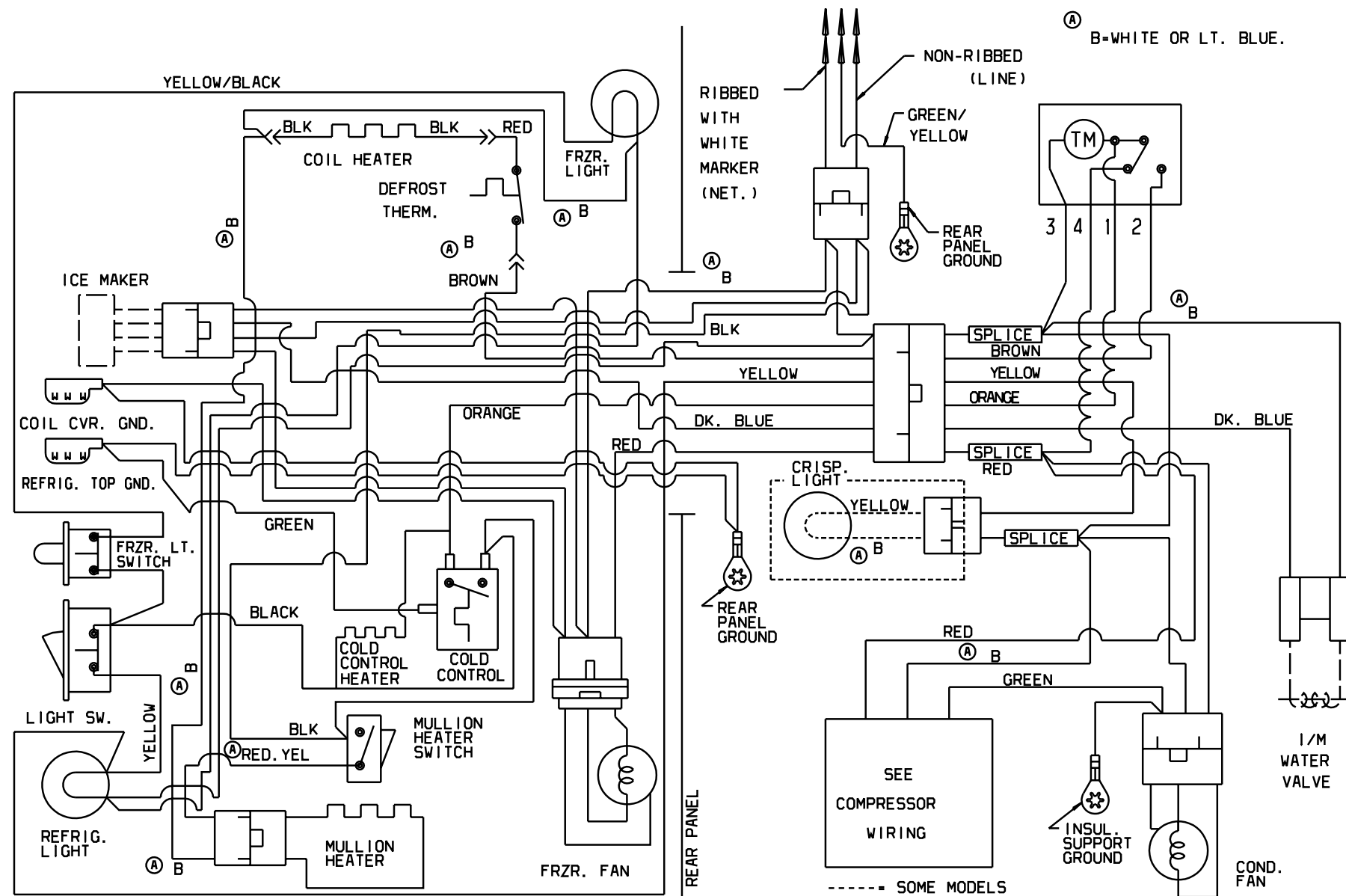
User Name: service

Password: tip

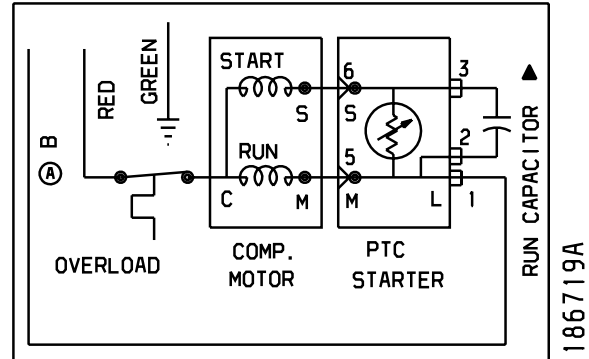
And now available at <http://www.frigidaire.com> are the following:

- Wiring Diagrams
- Owner's Guides
- Installation Instructions
- Parts Catalogs





P. T. C. STARTER WITH RUN CAPACITOR



▶ CAPACITOR IS ONLY USED WITH SOME P. T. C. MODELS.

2186719A

# SERVICE DATA SHEET

218901900

## STANDARD - AUTOMATIC DEFROST

## TOP FREEZER MODELS

PERFORMANCE DATA NO LOAD AND NO DOOR OPENINGS AT MID-POINT CONTROL SETTING				
Type A With Run/Start Capacitor	65°F Ambient	90°F Ambient		
Operating Time	25 to 35%	45 to 55%		
Freezer Temperature	2° to 8°F	0° to 5°F		
Refrigerator Temperature	35° to 40°F	35° to 40°F		
Low Side Pressure (cut-in)	8 to 16 psig	8 to 16 psig		
Low Side Pressure (cut-out)	1 to 4 psig	1 to 4 psig		
High Side Pressure (Last 1/3 of cycle)	110 to 120 psig	150 to 175 psig		
Wattage (Last 1/3 of cycle)	150 to 200	150 to 200		
Amps (Running)	1.3 to 1.8	1.3 to 1.8		
Base Voltage	115 VAC	115 VAC		
DEFROST SPECIFICATIONS				
Cabinet Size	Thermostat		Heater	
	Cut-in	Cut-out	Watts	Ohms
20' to 22'	+25°F	+47°F	475	28
24 - 26'	+25°F	+47°F	550	24
Defrost 21 Minutes Every 8 Hours of Compressor Run Time				
CONDENSER FAN MOTOR				
Watts	RPM	Amps		
2.3	1300 CW Opposite Shaft	.15 Running		
THERMOSTATIC DAMPER				
Full Open		Closed		
33°F +/- 2°F		22°F +/- 2°F		
ICE MAKER SPECIFICATIONS				
Electrical	115 Volts	60 Hertz		
Thermostat	Opens at 48°F	Closes at 15°F		
Heater Wattage	165			

### IMPORTANT SAFETY NOTICE

The information provided herein is designed to assist qualified repair personnel only. Untrained persons should not attempt to make repairs due to the possibility of electrical shock. Disconnect power cord before servicing.

### IMPORTANT

If any green grounding wires are moved during servicing, they must be returned to their original position and properly secured.

**CAUTION:** System parts must be removed from cabinet before brazing. All electrical parts and wiring must be shielded from torch flame. Do not allow torch to contact insulation; it will char at 200°F and flash ignite (burn) at 500°F. Excessive heat will distort the plastic liner.

### ICE MAKER INFORMATION

#### Test Cycling

Remove cover by inserting screwdriver in notch at bottom and prying cover from housing. Use a screwdriver to rotate motor gear counterclockwise until holding switch circuit is completed. All components of ice maker should function to complete the cycle.

#### Water Fill Volume

The water fill adjustment screw will change the fill time. One full turn is equal to 20cc (.68 oz.). The correct fill is 90 to 120cc (3.0 to 4.0 oz.). When a water valve is replaced, the fill volume must be checked.

## ATTENTION SERVICERS

Get a HELPING HAND by visiting the Electrolux Home Product Web Site where you can access Service Bulletins, New and Old Product Repair Tips, Service Kits, an interactive Service Request Form, and FAQ's. Visit the site at:

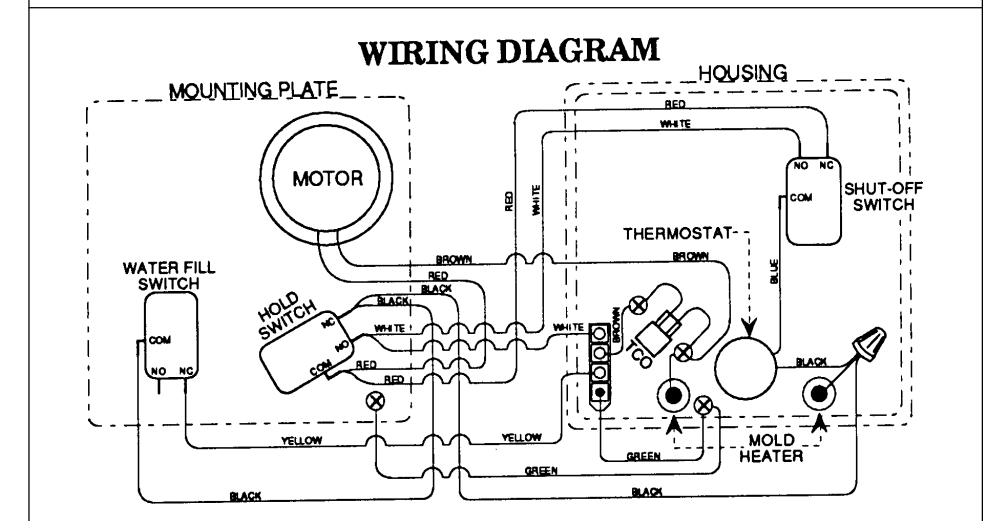
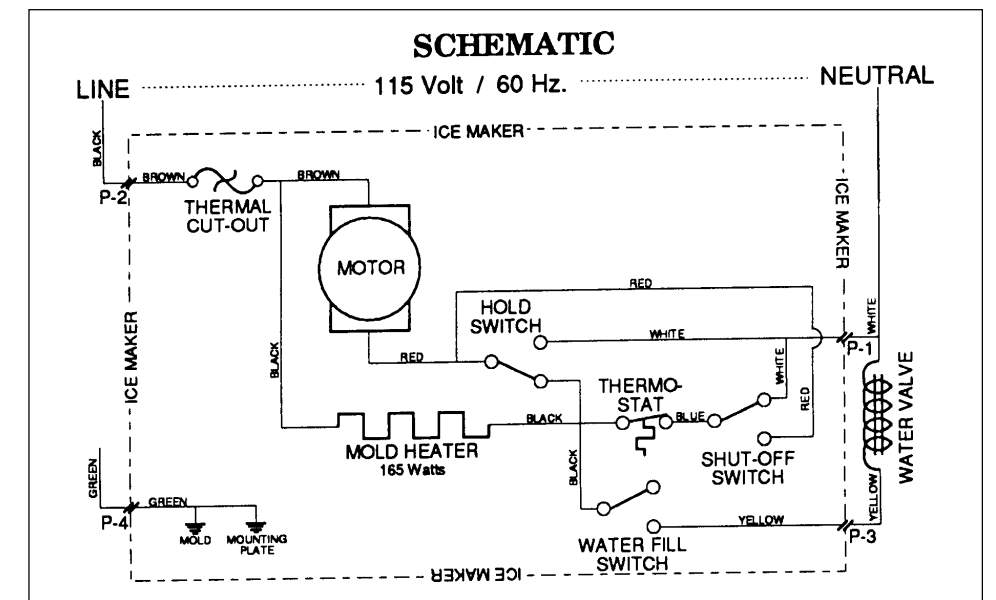
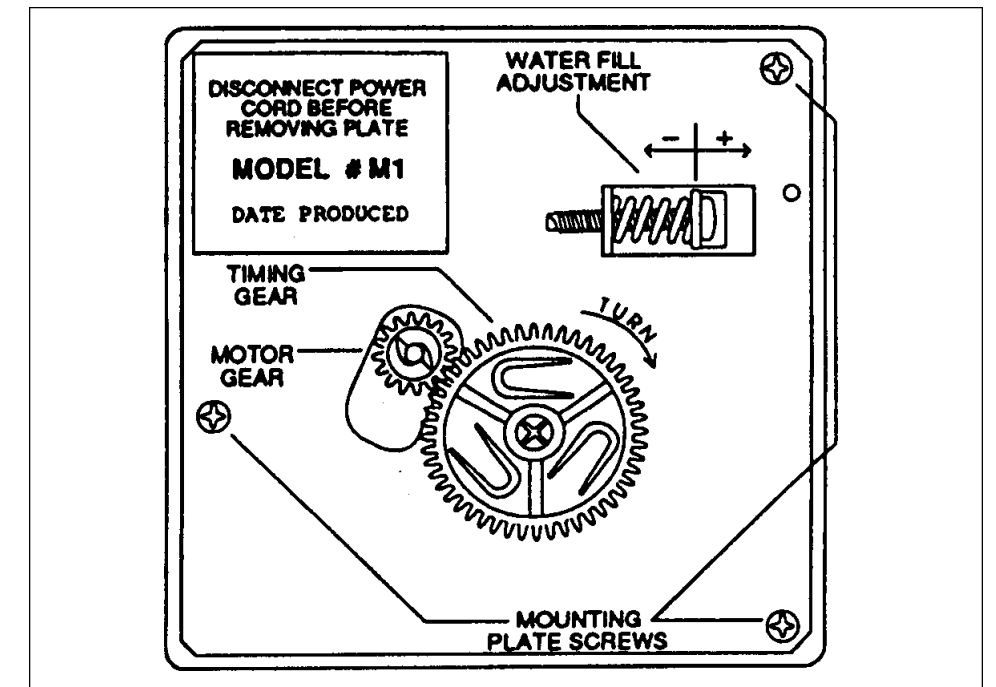
<http://www.frigidaire.com/tip>

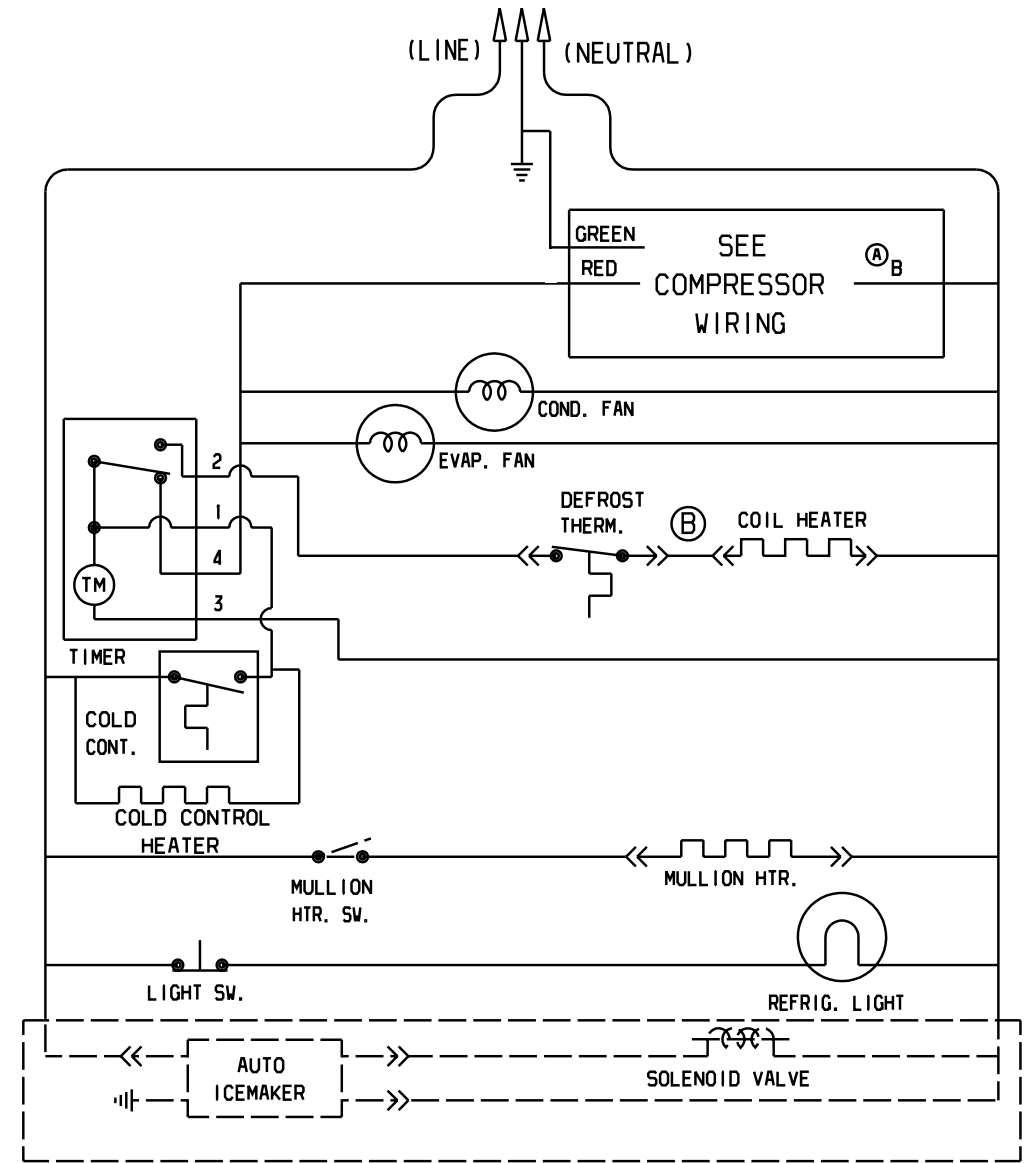
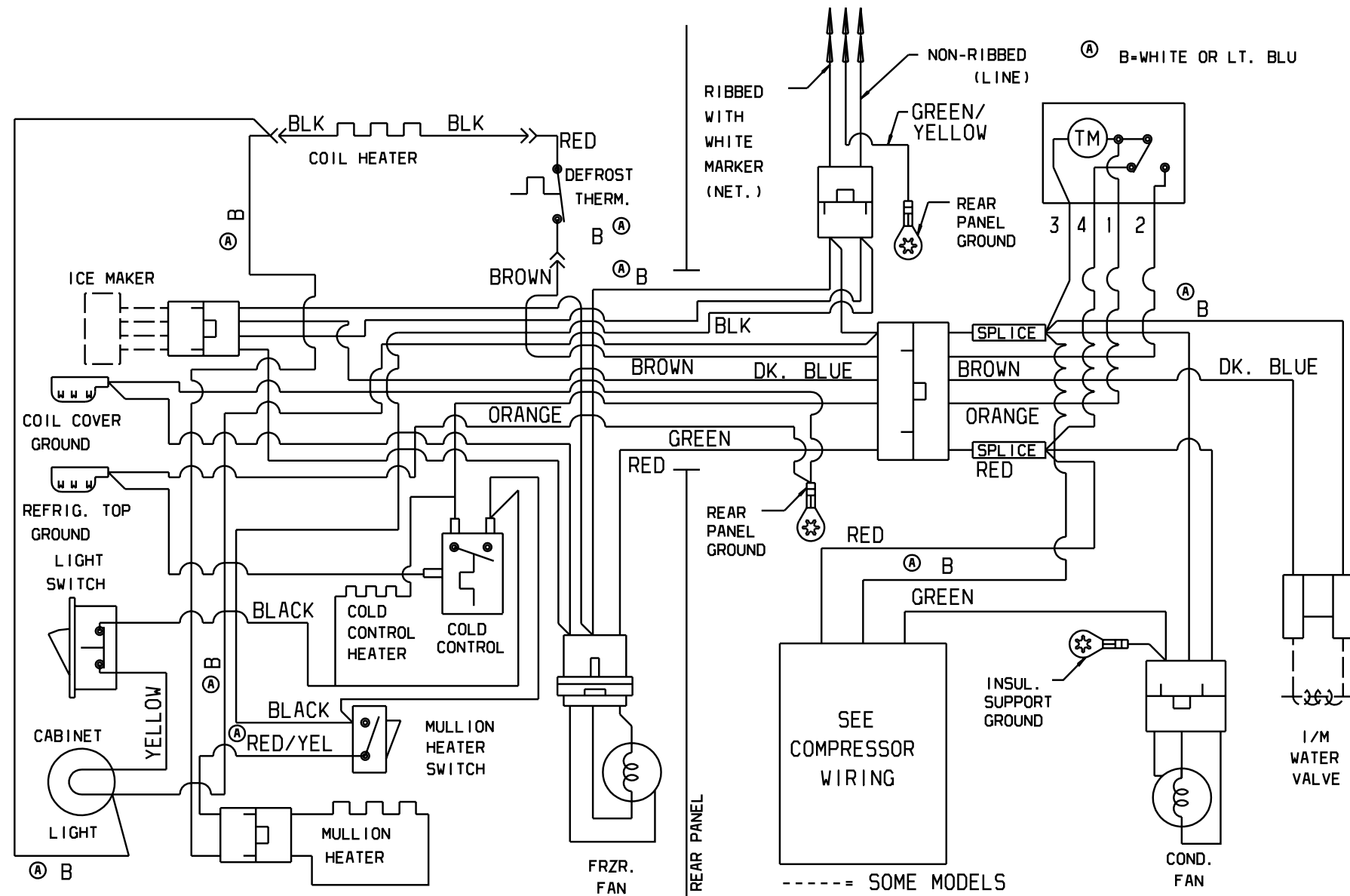
User Name: service

Password: tip

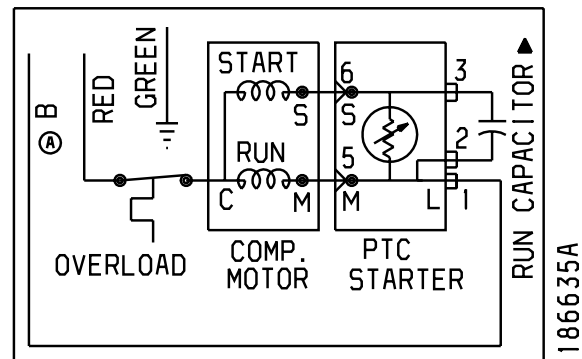
And now available at <http://www.frigidaire.com> are the following:

- Wiring Diagrams
- Owner's Guides
- Installation Instructions
- Parts Catalogs





P.T.C. STARTER WITH RUN CAPACITOR



▶ CAPACITOR IS ONLY USED WITH SOME P.T.C. MODELS.



# SERVICE DATA SHEET

240379001

STANDARD - AUTOMATIC DEFROST

TOP FREEZER MODELS

PERFORMANCE DATA NO LOAD AND NO DOOR OPENINGS AT MID-POINT CONTROL SETTING				
Type A With Run/Start Capacitor	65°F (18°C) Ambient	90°F (32°C) Ambient		
Operating Time	25 to 35%	45 to 55%		
Freezer Temperature	2° to 8°F -17° to -13°C	0° to 5°F -18° to -15°C		
Refrigerator Temperature	35° to 40°F 2° to 4°C	35° to 40°F 2° to 4°C		
Low Side Pressure (cut-in)	8 to 16 psig 55 to 110 kPa	8 to 16 psig 55 to 110 kPa		
Low Side Pressure (cut-out)	1 to 4 psig 7 to 28 kPa	1 to 4 psig 7 to 28 kPa		
High Side Pressure (Last 1/3 of cycle)	110 to 120 psig 758 to 827 kPa	150 to 175 psig 1034 to 1207 kPa		
Wattage (Last 1/3 of cycle)	140 to 185	140 to 185		
Amps (Running)	1.1 to 1.6	1.1 to 1.6		
Base Voltage	115 VAC	115 VAC		
DEFROST SPECIFICATIONS				
Cabinet Size	Thermostat		Heater	
	Cut-in	Cut-out	Watts	Ohms
18"	25°F -4°C	47°F 8°C	375	35
Defrost 30 Minutes Every 10 Hours of Compressor Run Time				
CONDENSER FAN MOTOR				
Watts	RPM	Amps		
2.3	1300 CW Opposite Shaft	.15 Running		
ICE MAKER SPECIFICATIONS				
Electrical	115 Volts	60 Hertz		
Thermostat	Opens at 48°F (9°C)	Closes at 15°F (-9°C)		
Heater Wattage	165			

### IMPORTANT SAFETY NOTICE

The information provided herein is designed to assist qualified repair personnel only. Untrained persons should not attempt to make repairs due to the possibility of electrical shock. Disconnect power cord before servicing.

### IMPORTANT

If any green grounding wires are moved during servicing, they must be returned to their original position and properly secured.

**CAUTION: All electrical parts and wiring must be shielded from torch flame. Do not allow torch to contact insulation; it will char at 200°F and flash ignite (burn) at 500°F. Excessive heat will distort the plastic liner.**

### ICE MAKER INFORMATION

#### Test Cycling

Remove cover by inserting screwdriver in notch at bottom and prying cover from housing. Use screwdriver to rotate motor gear counterclockwise until *Holding Switch* circuit is completed. All components of ice maker should function to complete the cycle.

#### Water Fill Volume

The water fill adjustment screw will change the fill time. One full turn is equal to 20cc (.68 oz.). The correct fill is 95 to 105cc (3.2 to 3.6 oz.). When a water valve is replaced, the fill volume must be checked.

### ATTENTION SERVICERS

Get a HELPING HAND by visiting the Electrolux Home Products Web Site where you can access Service Bulletins, new and old Product Repair Tips, Service Kits, an interactive Service Request Form, FAQ's, and an Next Generation Servicer Video. Visit the site at:

<http://www.frigidaire.com/tip>

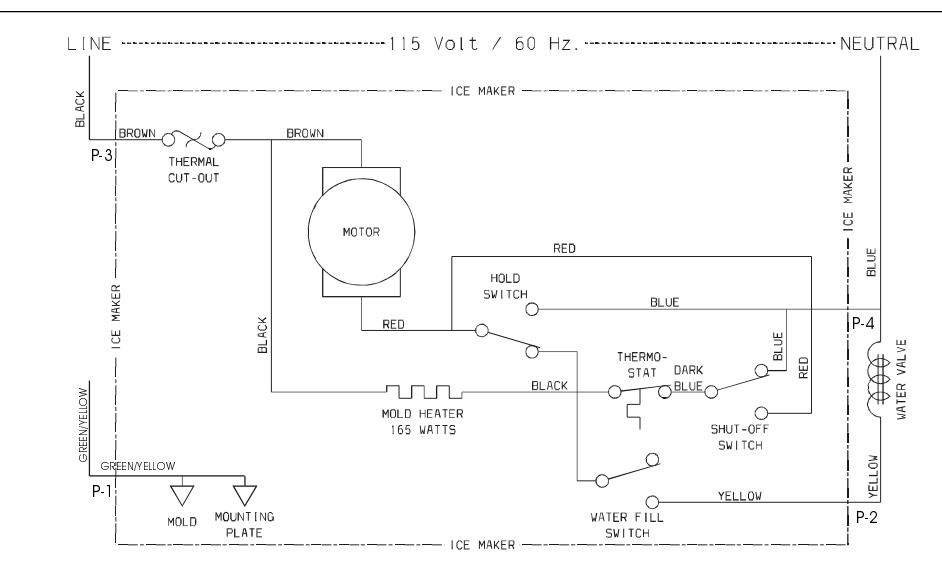
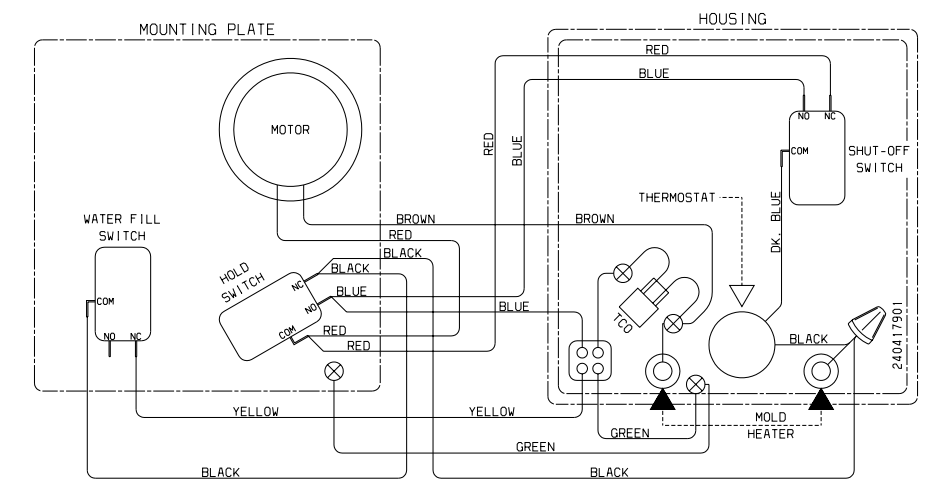
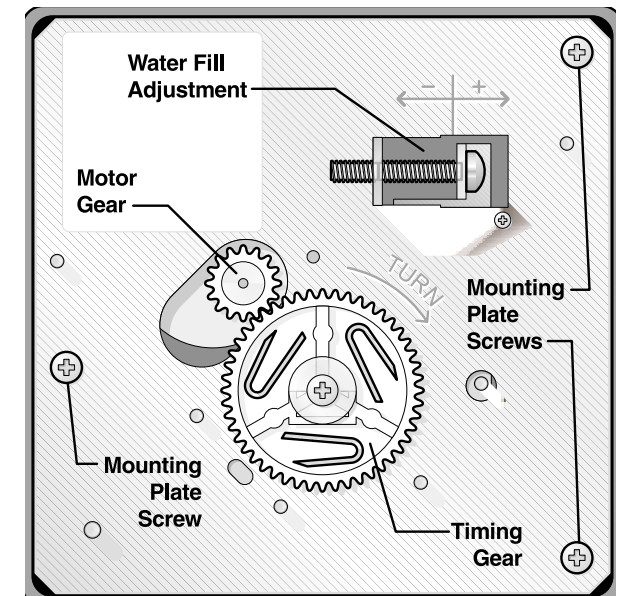
User Name: **service**

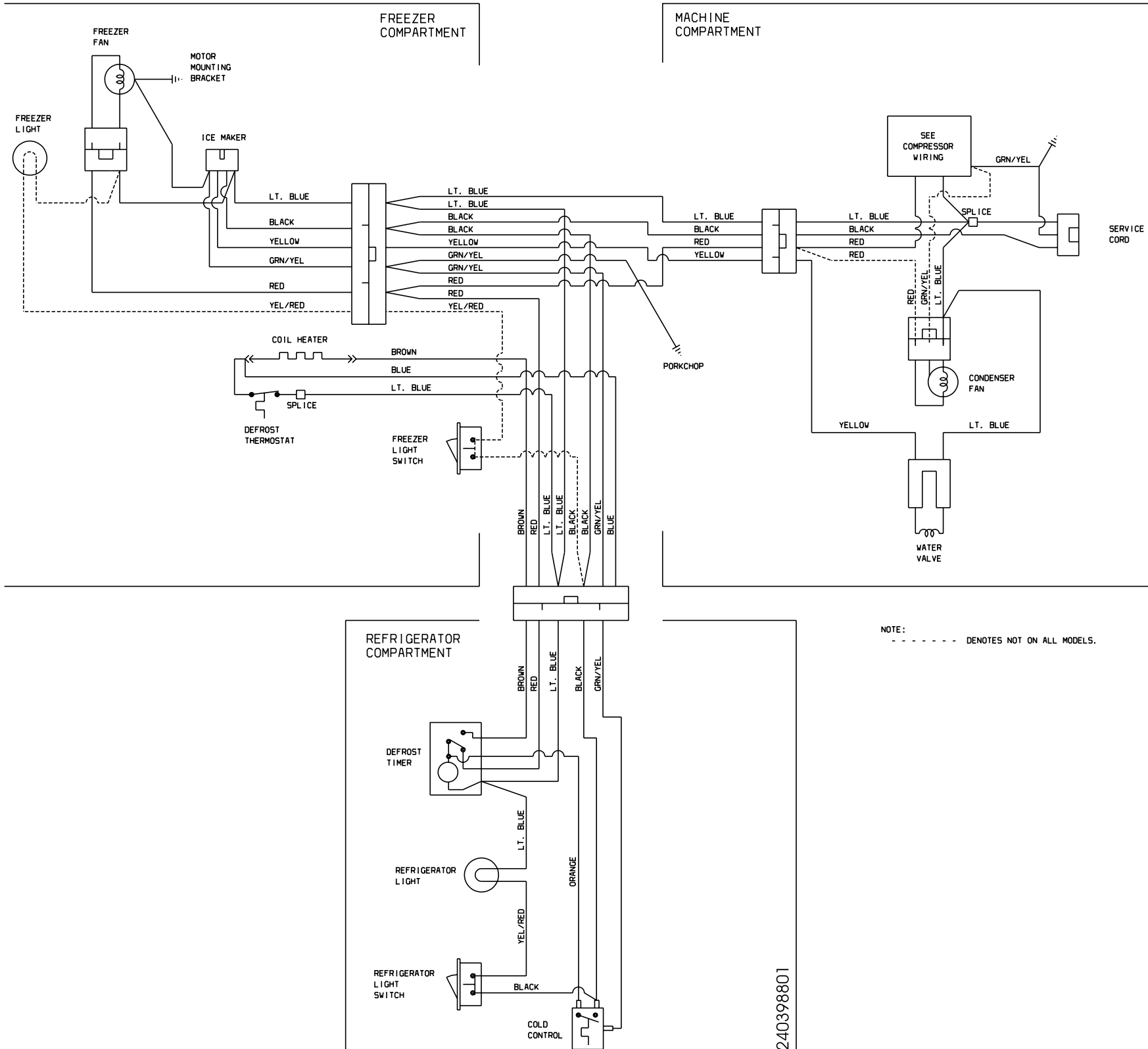
Password: **tip**

And now available at <http://www.frigidaire.com/> are the following:

- Wiring Diagrams
- Owner's Guides
- Installation Instructions
- Parts Catalogs

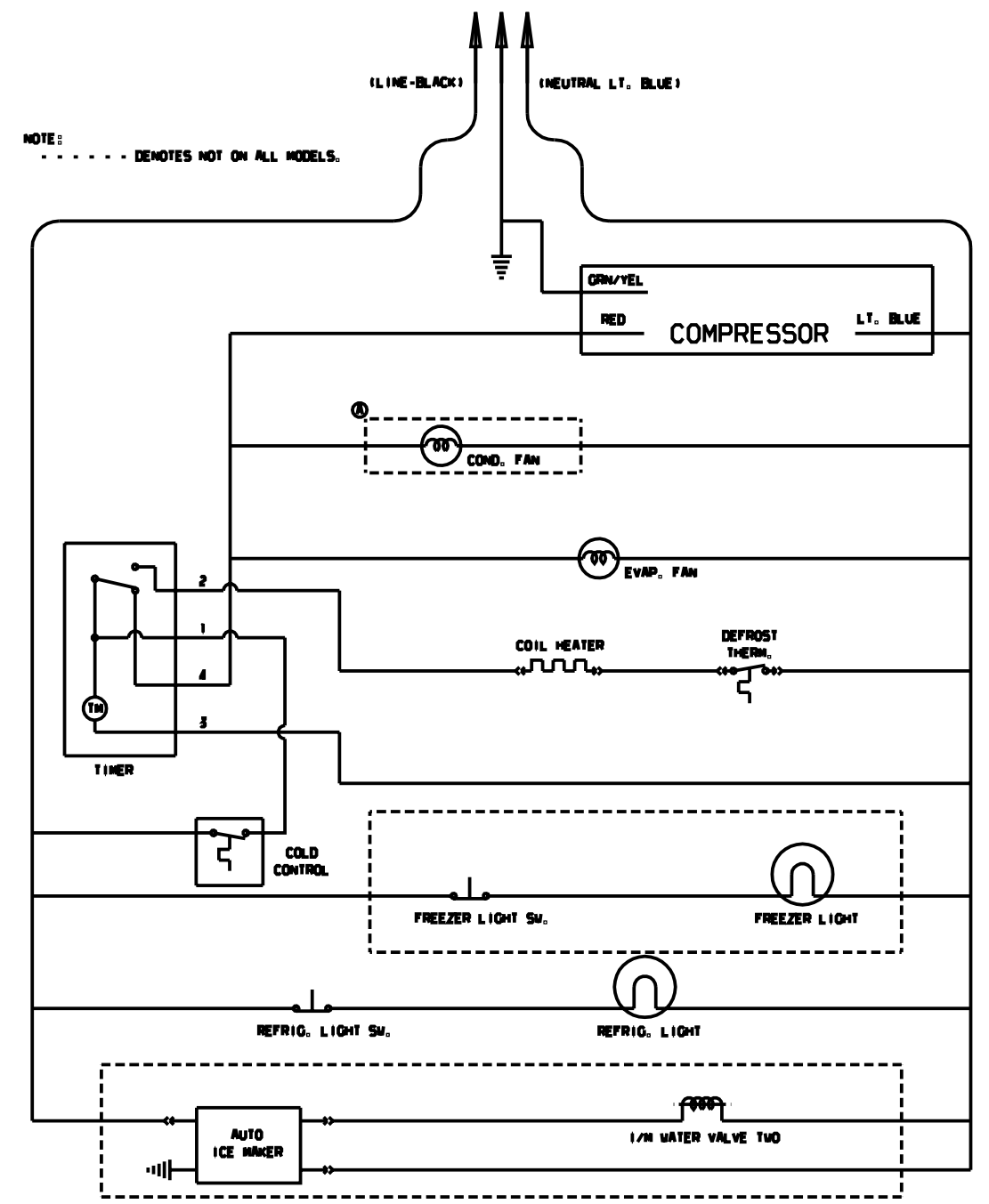
Figure 1





240398801

### LADDER SCHEMATIC-TM DYNAMIC MODELS



# SERVICE DATA SHEET

240379003

STANDARD - AUTOMATIC DEFROST

TOP FREEZER MODELS

PERFORMANCE DATA NO LOAD AND NO DOOR OPENINGS AT MID-POINT CONTROL SETTING				
Type A With Run/Start Capacitor	65°F (18°C) Ambient	90°F (32°C) Ambient		
Operating Time	25 to 35%	45 to 55%		
Freezer Temperature	2° to 8°F -17° to -13°C	0° to 5°F -18° to -15°C		
Refrigerator Temperature	35° to 40°F 2° to 4°C	35° to 40°F 2° to 4°C		
Low Side Pressure (cut-in)	8 to 16 psig 55 to 110 kPa	8 to 16 psig 55 to 110 kPa		
Low Side Pressure (cut-out)	1 to 4 psig 7 to 28 kPa	1 to 4 psig 7 to 28 kPa		
High Side Pressure (Last 1/3 of cycle)	110 to 120 psig 758 to 827 kPa	150 to 175 psig 1034 to 1207 kPa		
Wattage (Last 1/3 of cycle)	140 to 185	140 to 185		
Amps (Running)	1.1 to 1.6	1.1 to 1.6		
Base Voltage	115 VAC	115 VAC		
DEFROST SPECIFICATIONS				
Cabinet Size	Thermostat		Heater	
	Cut-in	Cut-out	Watts	Ohms
18"	25°F -4°C	47°F 8°C	375	35
Defrost 30 Minutes Every 10 Hours of Compressor Run Time				
CONDENSER FAN MOTOR				
Watts	RPM	Amps		
2.3	1300 CW Opposite Shaft	.15 Running		
ICE MAKER SPECIFICATIONS				
Electrical	115 Volts	60 Hertz		
Thermostat	Opens at 48°F (9°C)	Closes at 15°F (-9°C)		
Heater Wattage	165			

### IMPORTANT SAFETY NOTICE

The information provided herein is designed to assist qualified repair personnel only. Untrained persons should not attempt to make repairs due to the possibility of electrical shock. Disconnect power cord before servicing.

### IMPORTANT

If any green grounding wires are moved during servicing, they must be returned to their original position and properly secured.

**CAUTION: All electrical parts and wiring must be shielded from torch flame. Do not allow torch to contact insulation; it will char at 200°F and flash ignite (burn) at 500°F. Excessive heat will distort the plastic liner.**

### ICE MAKER INFORMATION

#### Test Cycling

Remove cover by inserting screwdriver in notch at bottom and prying cover from housing. Use screwdriver to rotate motor gear counterclockwise until *Holding Switch* circuit is completed. All components of ice maker should function to complete the cycle.

#### Water Fill Volume

The water fill adjustment screw will change the fill time. One full turn is equal to 20cc (.68 oz.). The correct fill is 95 to 105cc (3.2 to 3.6 oz.). When a water valve is replaced, the fill volume must be checked.

### ATTENTION SERVICERS

Get a HELPING HAND by visiting the Electrolux Home Products Web Site where you can access Service Bulletins, new and old Product Repair Tips, Service Kits, an interactive Service Request Form, FAQ's, and an Next Generation Servicer Video. Visit the site at:

<http://www.frigidaire.com/tip>

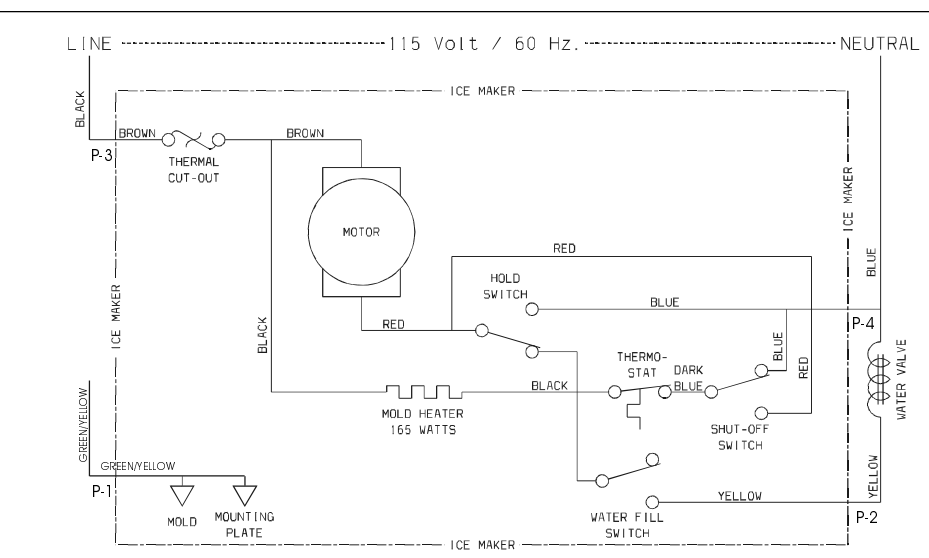
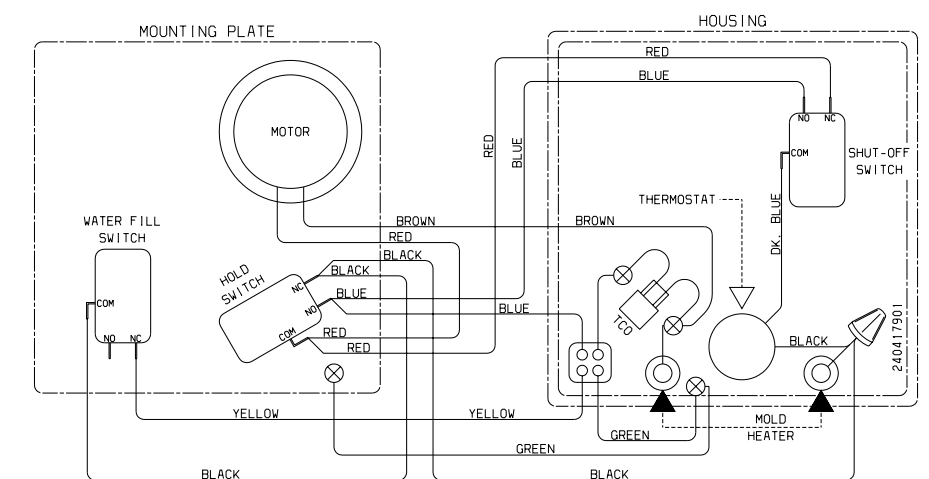
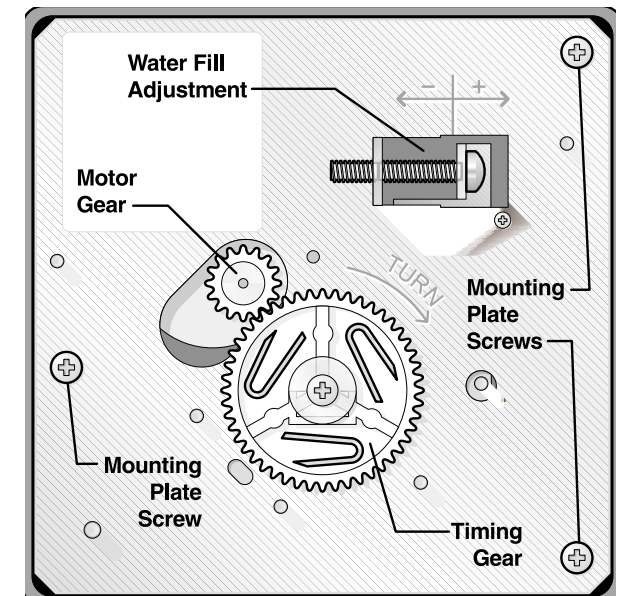
User Name: **service**

Password: **tip**

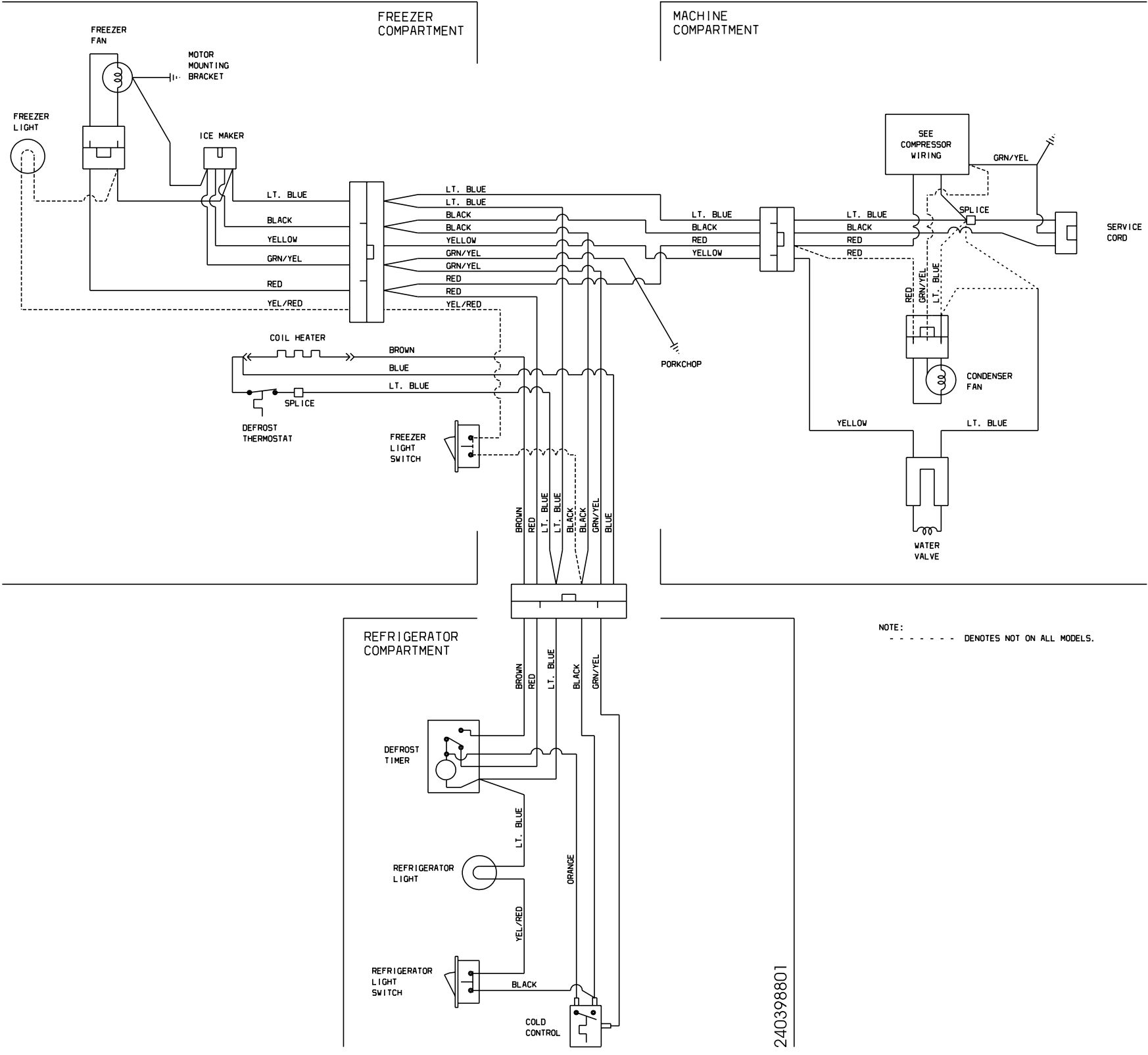
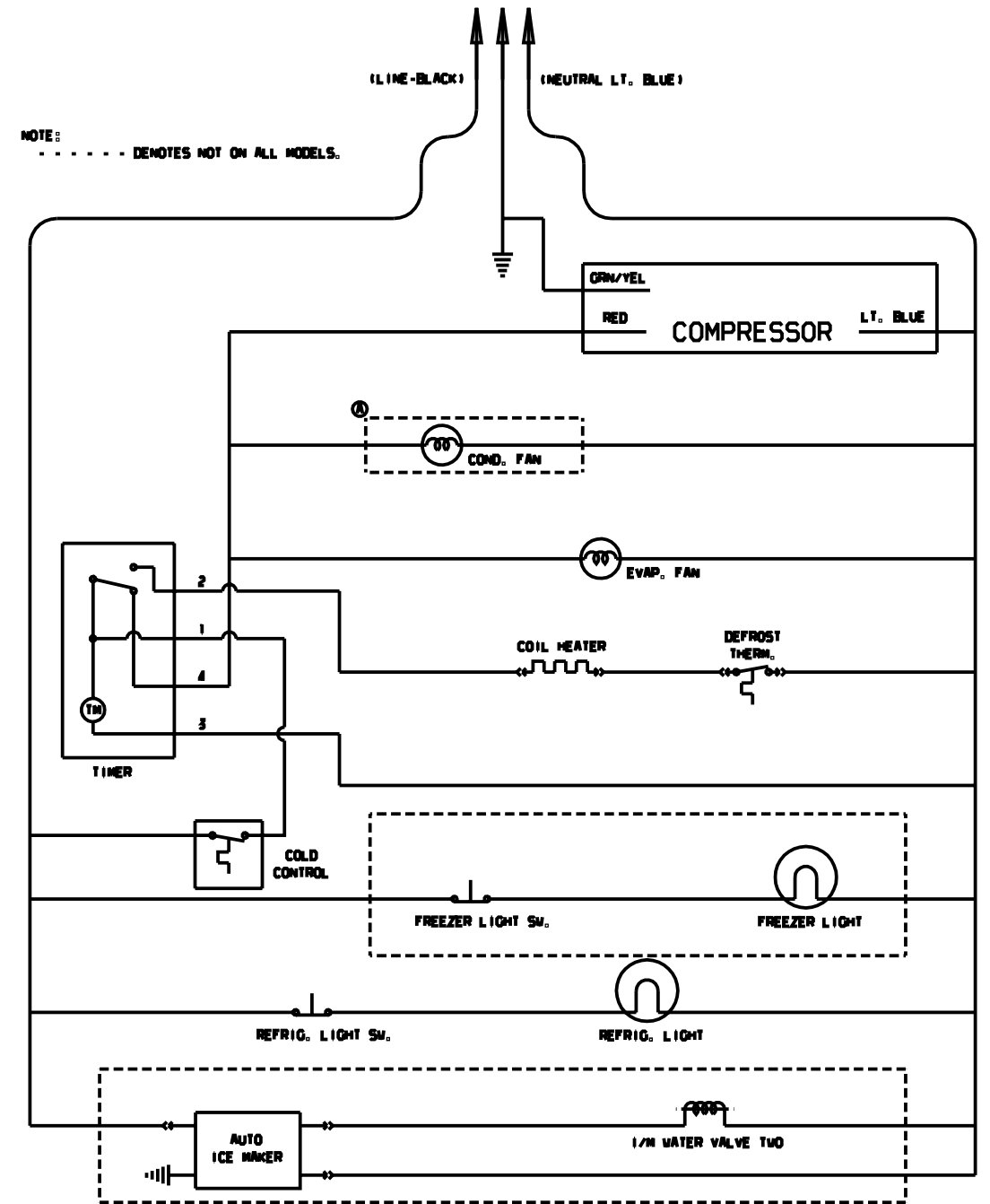
And now available at <http://www.frigidaire.com/> are the following:

- Wiring Diagrams
- Owner's Guides
- Installation Instructions
- Parts Catalogs

Figure 1



# LADDER SCHEMATIC-TM DYNAMIC MODELS



# SERVICE DATA SHEET

240379004

STANDARD - AUTOMATIC DEFROST

TOP FREEZER MODELS

PERFORMANCE DATA NO LOAD AND NO DOOR OPENINGS AT MID-POINT CONTROL SETTING				
Type A With Run/Start Capacitor	65°F (18°C) Ambient	90°F (32°C) Ambient		
Operating Time	25 to 35%	45 to 55%		
Freezer Temperature	2° to 8°F -17° to -13°C	0° to 5°F -18° to -15°C		
Refrigerator Temperature	35° to 40°F 2° to 4°C	35° to 40°F 2° to 4°C		
Low Side Pressure (cut-in)	8 to 16 psig 55 to 110 kPa	8 to 16 psig 55 to 110 kPa		
Low Side Pressure (cut-out)	1 to 4 psig 7 to 28 kPa	1 to 4 psig 7 to 28 kPa		
High Side Pressure (Last 1/3 of cycle)	110 to 120 psig 758 to 827 kPa	150 to 175 psig 1034 to 1207 kPa		
Wattage (Last 1/3 of cycle)	140 to 185	140 to 185		
Amps (Running)	1.1 to 1.6	1.1 to 1.6		
Base Voltage	115 VAC	115 VAC		
DEFROST SPECIFICATIONS				
Cabinet Size	Thermostat		Heater	
	Cut-in	Cut-out	Watts	Ohms
18'	25°F -4°C	47°F 8°C	375	35
Defrost 30 Minutes Every 10 Hours of Compressor Run Time				
CONDENSER FAN MOTOR				
Watts	RPM	Amps		
2.3	1100 CW Opposite Shaft	.15 Running		
ICE MAKER SPECIFICATIONS				
Electrical	115 Volts	60 Hertz		
Thermostat	Opens at 48°F (9°C)	Closes at 15°F (-9°C)		
Heater Wattage	165			

### IMPORTANT SAFETY NOTICE

The information provided herein is designed to assist qualified repair personnel only. Untrained persons should not attempt to make repairs due to the possibility of electrical shock. Disconnect power cord before servicing.

### IMPORTANT

If any green grounding wires are moved during servicing, they must be returned to their original position and properly secured.

**CAUTION: All electrical parts and wiring must be shielded from torch flame. Do not allow torch to contact insulation; it will char at 200°F and flash ignite (burn) at 500°F. Excessive heat will distort the plastic liner.**

### ICE MAKER INFORMATION

#### Test Cycling

Remove cover by inserting screwdriver in notch at bottom and prying cover from housing. Use screwdriver to rotate motor gear counterclockwise until *Holding Switch* circuit is completed. All components of ice maker should function to complete the cycle.

#### Water Fill Volume

The water fill adjustment screw will change the fill time. One full turn is equal to 20cc (.68 oz.). The correct fill is 95 to 105cc (3.2 to 3.6 oz.). When a water valve is replaced, the fill volume must be checked.

### ATTENTION SERVICERS

Get a HELPING HAND by visiting the Electrolux Home Products Web Site where you can access Service Bulletins, new and old Product Repair Tips, Service Kits, an interactive Service Request Form, FAQ's, and an Next Generation Servicer Video. Visit the site at:

<http://www.frigidaire.com/tip>

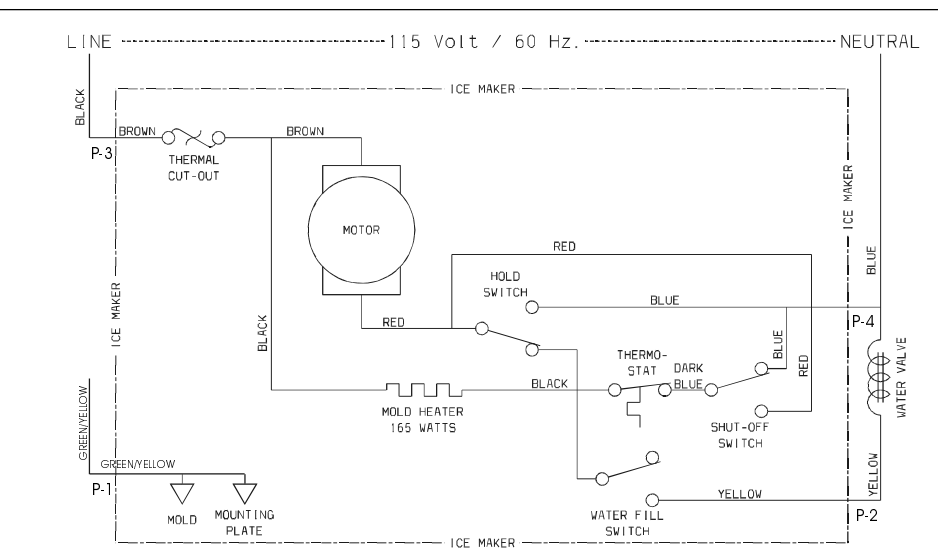
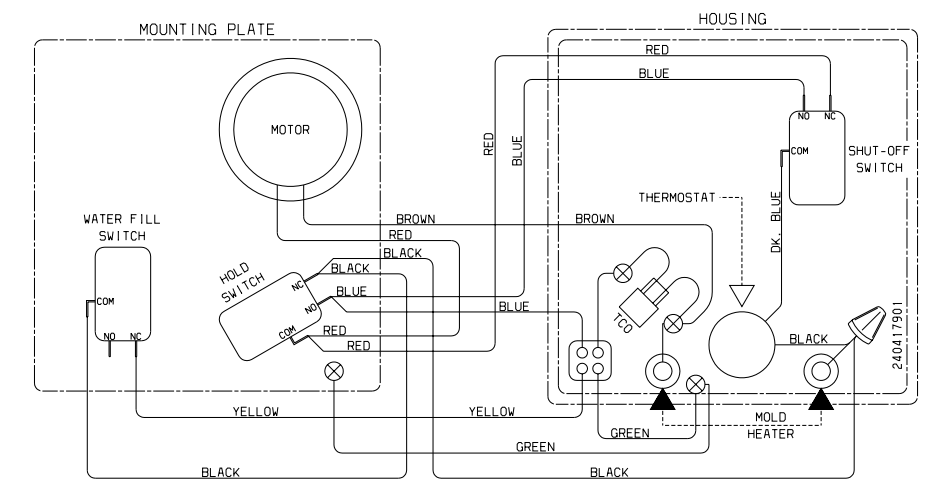
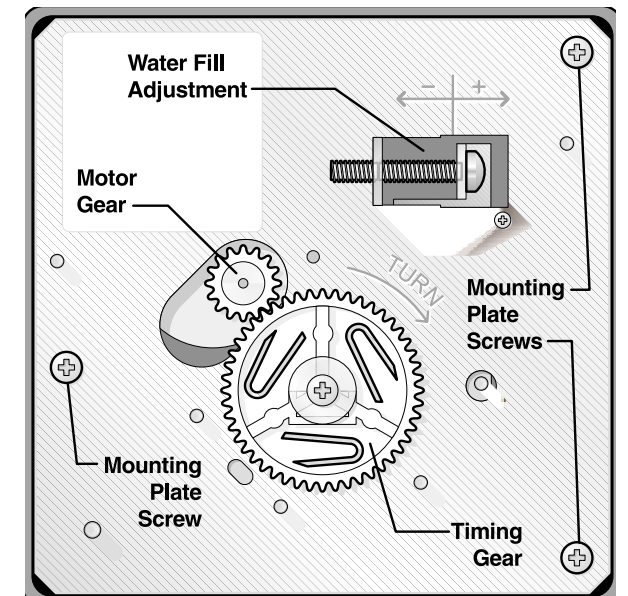
User Name: **service**

Password: **tip**

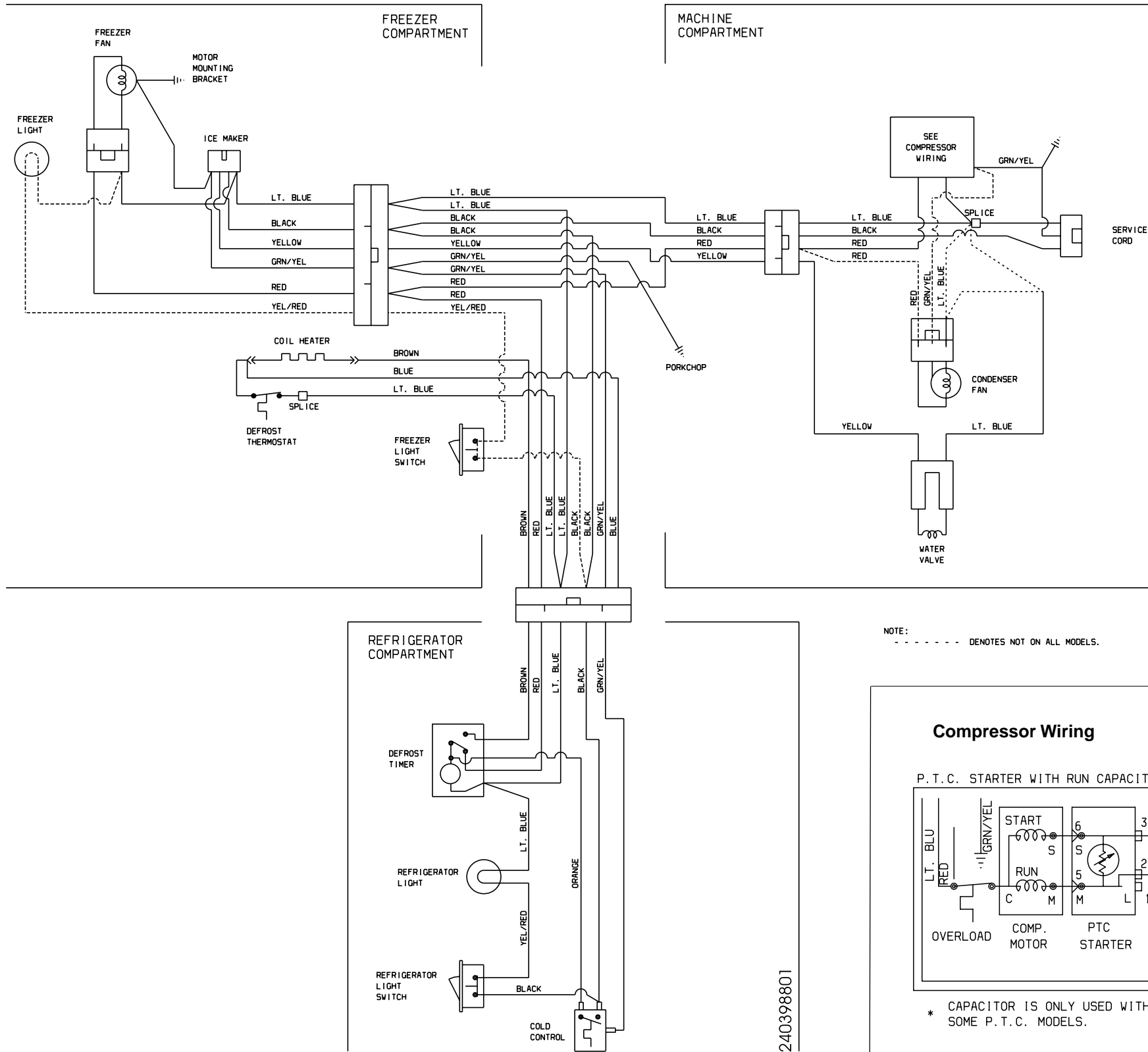
And now available at <http://www.frigidaire.com/> are the following:

- Wiring Diagrams
- Owner's Guides
- Installation Instructions
- Parts Catalogs

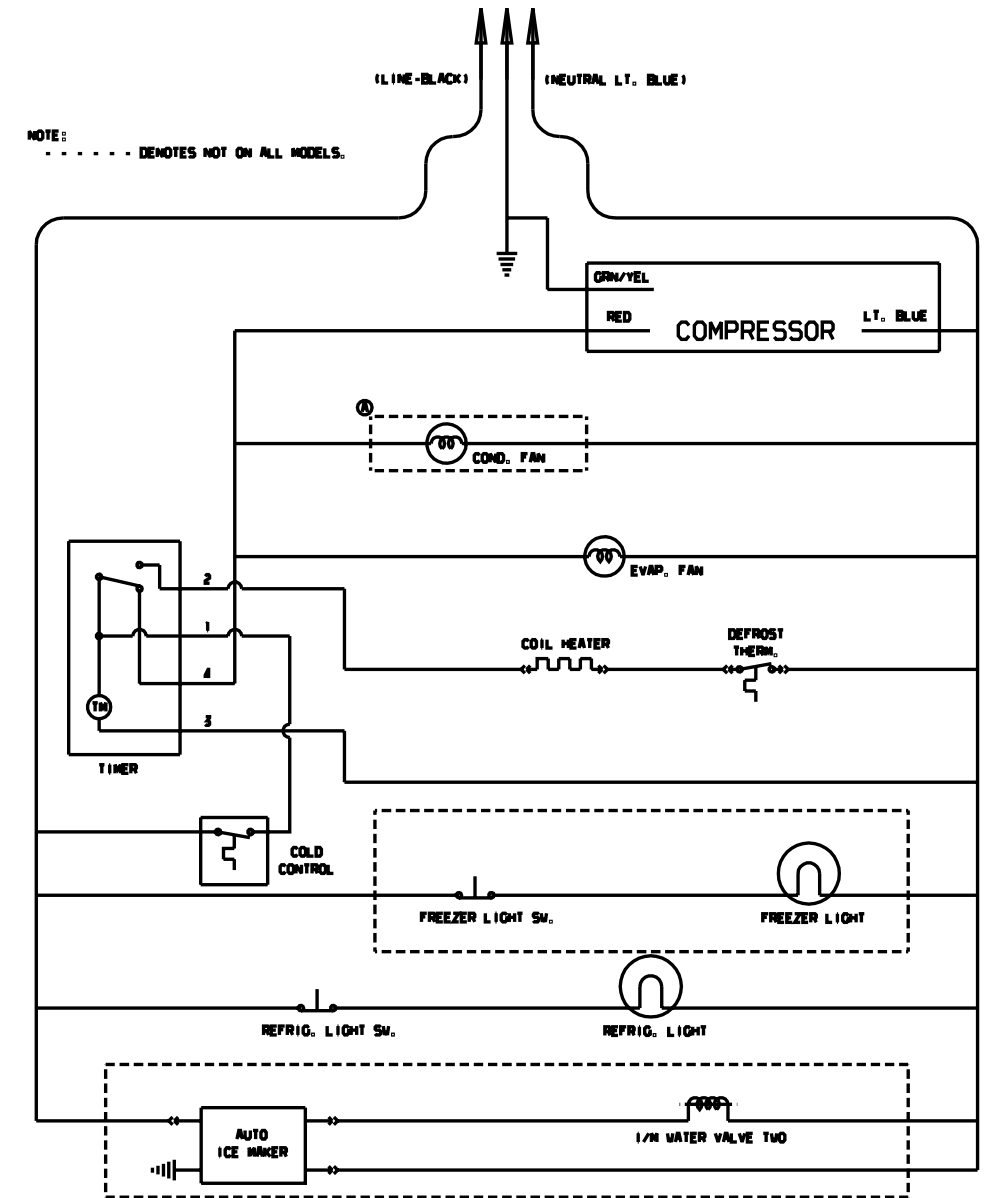
Figure 1



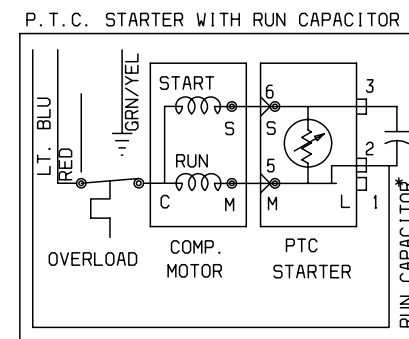
**Pictorial Schematic**



**LADDER SCHEMATIC-TM DYNAMIC MODELS**



**Compressor Wiring**



\* CAPACITOR IS ONLY USED WITH SOME P.T.C. MODELS.

# SERVICE DATA SHEET

240379005

STANDARD - AUTOMATIC DEFROST

TOP FREEZER MODELS

PERFORMANCE DATA NO LOAD AND NO DOOR OPENINGS AT MID-POINT CONTROL SETTING				
Type A With Run Capacitor	65°F (18°C) Ambient	90°F (32°C) Ambient		
Operating Time	25 to 35%	45 to 55%		
Freezer Temperature	2° to 8°F -17° to -13°C	0° to 5°F -18° to -15°C		
Refrigerature Temperature	35° to 40°F 2° to 4°C	35° to 40°F 2° to 4°C		
Low Side Pressure (cut-in)	8 to 16 psig 55 to 110 kPa	8 to 16 psig 55 to 110 kPa		
Low Side Pressure (cut-out)	1 to 4 psig 7 to 28 kPa	1 to 4 psig 7 to 28 kPa		
High Side Pressure (Last 1/3 of cycle)	110 to 120 psig 758 to 827 kPa	150 to 175 psig 1034 to 1207 kPa		
Wattage (Last 1/3 of cycle)	140 to 185	140 to 185		
Amps (Running)	1.1 to 1.6	1.1 to 1.6		
Base Voltage	115 VAC	115 VAC		
DEFROST SPECIFICATIONS				
Cabinet Size	Thermostat		Heater	
	Cut-in	Cut-out	Watts	Ohms
18' & 21'	25°F -4°C	47°F 8°C	375	35
15' & 17'	25°F -4°C	47°F 8°C	325	41
Defrost 30 Minutes Every 10 Hours of Compressor Run Time				
CONDENSER FAN MOTOR				
Watts	RPM	Amps		
2.3	1100 CW Opposite Shaft	.15 Running		
ICE MAKER SPECIFICATIONS				
Electrical	115 Volts	60 Hertz		
Thermostat	Opens at 48°F (9°C)	Closes at 15°F (-9°C)		
Heater Wattage	165			

## IMPORTANT SAFETY NOTICE

The information provided herein is designed to assist qualified repair personnel only. Untrained persons should not attempt to make repairs due to the possibility of electrical shock. Disconnect power cord before servicing.

## IMPORTANT

If any green grounding wires are moved during servicing, they must be returned to their original position and properly secured.

**CAUTION: All electrical parts and wiring must be shielded from torch flame. Do not allow torch to contact insulation; it will char at 200°F and flash ignite (burn) at 500°F. Excessive heat will distort the plastic liner.**

## ICE MAKER INFORMATION

### Test Cycling

Remove cover by inserting screwdriver in notch at bottom and prying cover from housing. Use screwdriver to rotate motor gear counterclockwise until *Holding Switch* circuit is completed. All components of ice maker should function to complete the cycle.

### Water Fill Volume

The water fill adjustment screw will change the fill time. One full turn is equal to 20cc (.68 oz.). The correct fill is 95 to 105cc (3.2 to 3.6 oz.). When a water valve is replaced, the fill volume must be checked.

## ATTENTION SERVICERS

Get a **HELPING HAND** by visiting the Electrolux Home Products Web Site where you can access Service Bulletins, new and old Product Repair Tips, Service Kits, an interactive Service Request Form, FAQ's, and an Next Generation Servicer Video. Visit the site at:

<http://www.frigidaire.com/tip>

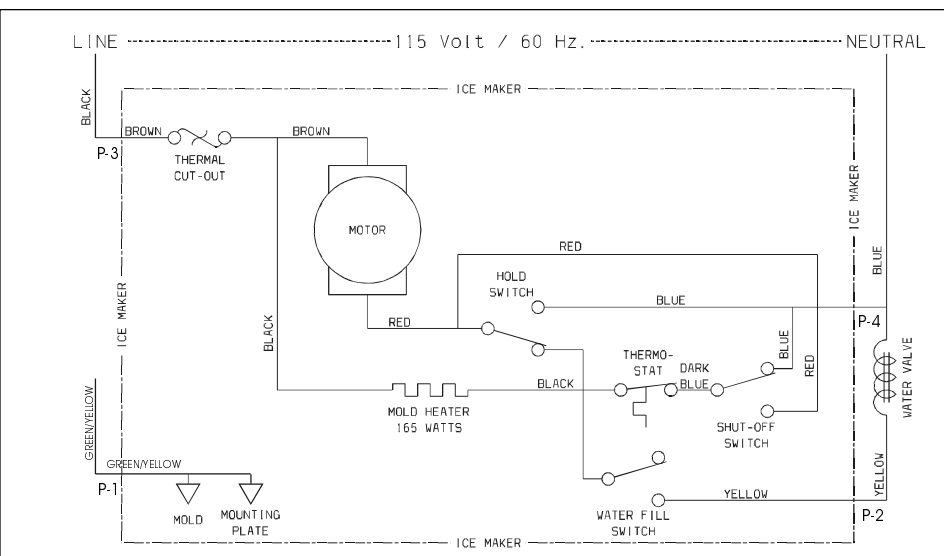
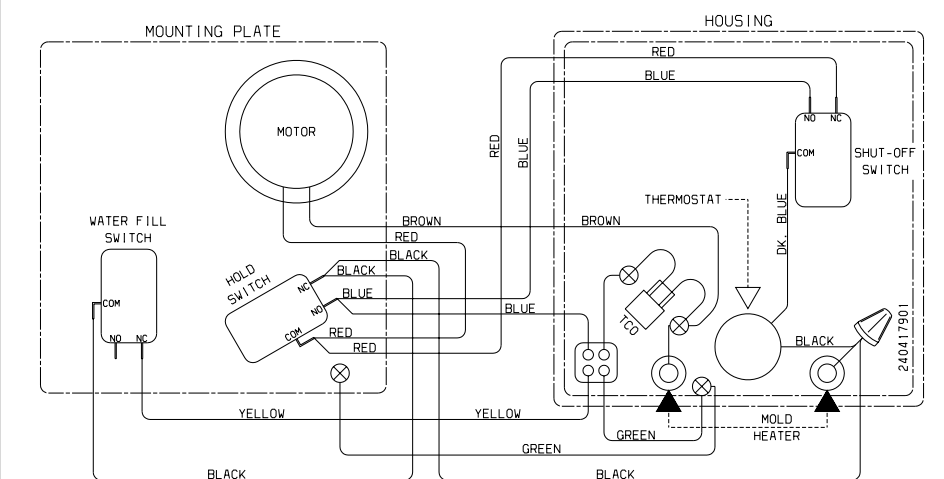
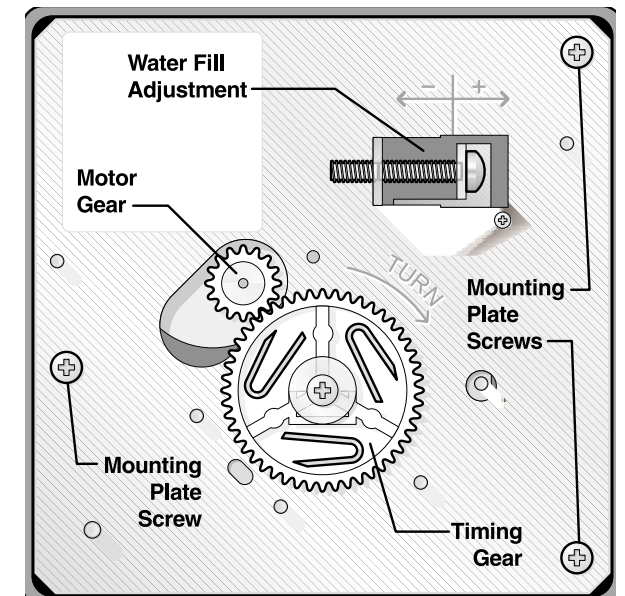
User Name: **service**

Password: **tip**

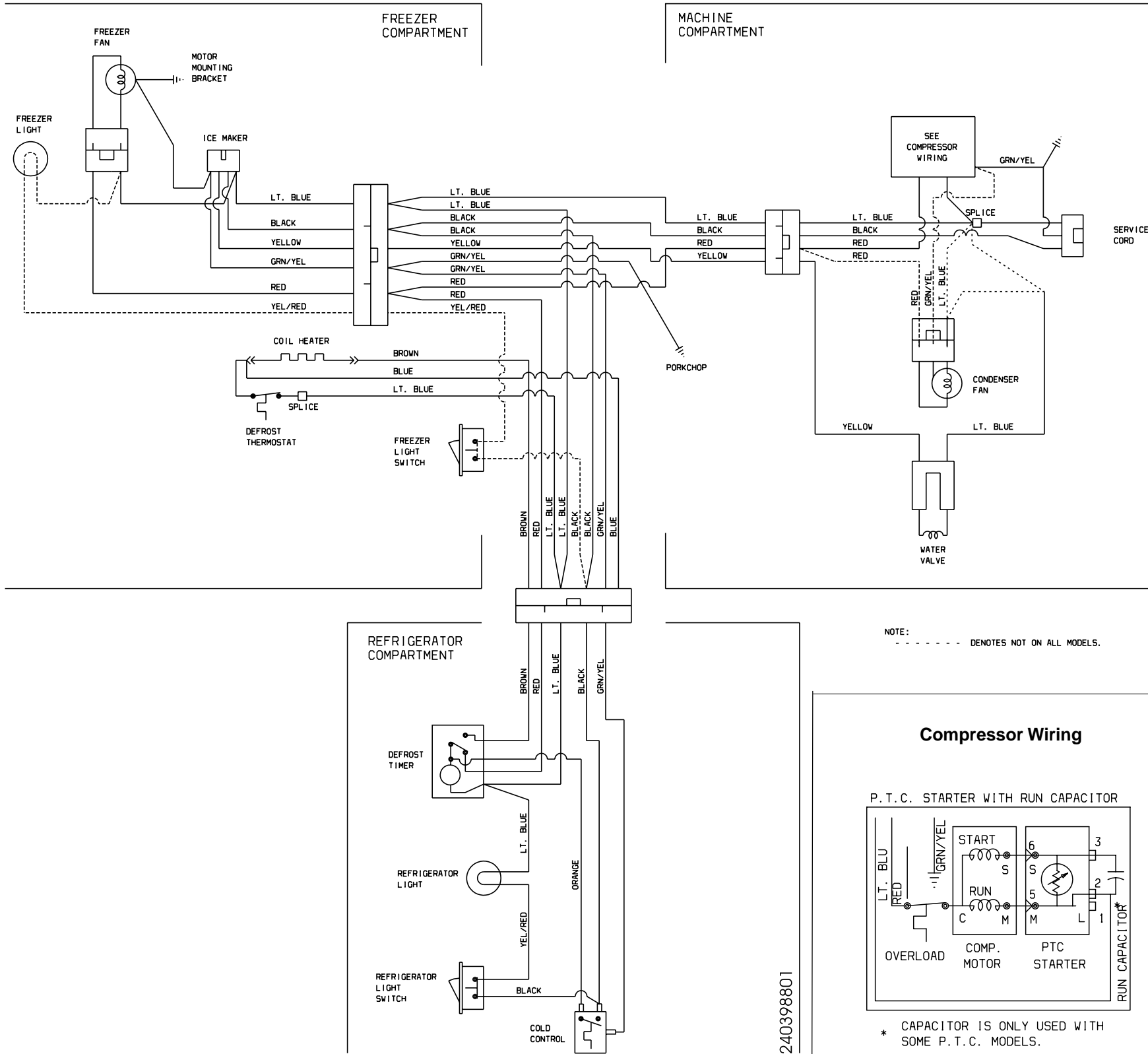
And now available at <http://www.frigidaire.com/> are the following:

- Wiring Diagrams
- Owner's Guides
- Installation Instructions
- Parts Catalogs

Figure 1

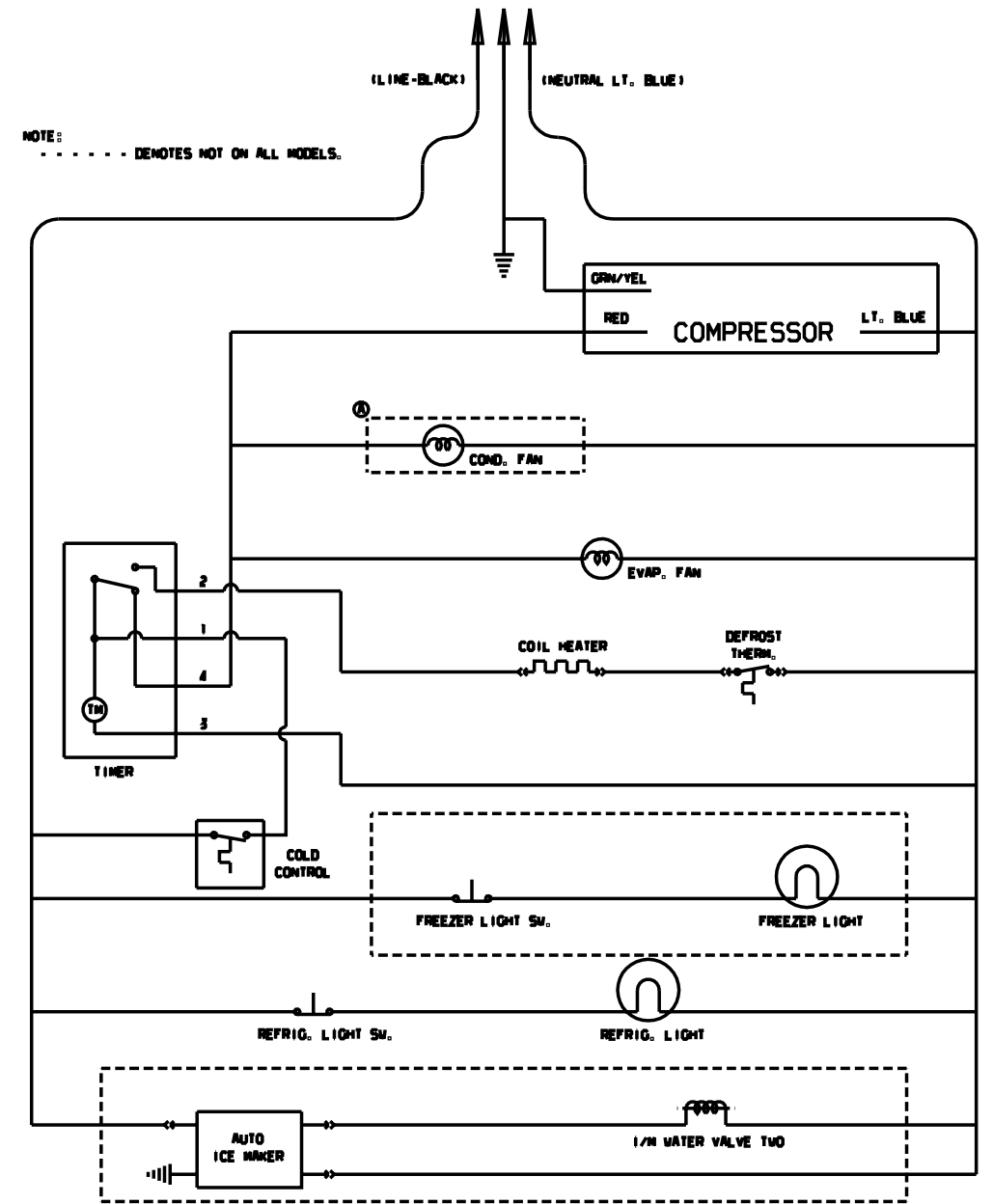


**Pictorial Schematic**



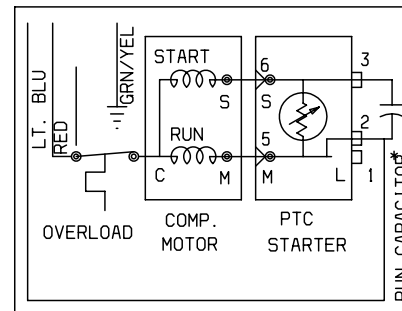
240398801

**LADDER SCHEMATIC-TM DYNAMIC MODELS**



**Compressor Wiring**

P. T. C. STARTER WITH RUN CAPACITOR



\* CAPACITOR IS ONLY USED WITH SOME P. T. C. MODELS.



# SERVICE DATA SHEET

240379006

STANDARD - AUTOMATIC DEFROST

TOP FREEZER MODELS

PERFORMANCE DATA NO LOAD AND NO DOOR OPENINGS AT MID-POINT CONTROL SETTING				
Type A With Run Capacitor	65°F (18°C) Ambient	90°F (32°C) Ambient		
Operating Time	25 to 35%	45 to 55%		
Freezer Temperature	2° to 8°F -17° to -13°C	0° to 5°F -18° to -15°C		
Refrigerate Temperature	35° to 40°F 2° to 4°C	35° to 40°F 2° to 4°C		
Low Side Pressure (cut-in)	8 to 16 psig 55 to 110 kPa	8 to 16 psig 55 to 110 kPa		
Low Side Pressure (cut-out)	1 to 4 psig 7 to 28 kPa	1 to 4 psig 7 to 28 kPa		
High Side Pressure (Last 1/3 of cycle)	110 to 120 psig 758 to 827 kPa	150 to 175 psig 1034 to 1207 kPa		
Wattage (Last 1/3 of cycle)	140 to 185	140 to 185		
Amps (Running)	1.1 to 1.6	1.1 to 1.6		
Base Voltage	115 VAC	115 VAC		
DEFROST SPECIFICATIONS				
Cabinet Size	Thermostat		Heater	
	Cut-in	Cut-out	Watts	Ohms
18' & 21'	25°F -4°C	47°F 8°C	375	35
14', 15' & 17'	25°F -4°C	47°F 8°C	325	41
Mechanical Timer - Defrost 30 Minutes Every 10 Hours of Compressor Run Time			Electronic Timer (ADC) Defrost Up To 24 Minutes Every 6 - 72 Hours of Compressor Run Time	
CONDENSER FAN MOTOR				
Watts	RPM	Amps		
2.3	1100 CW Opposite Shaft	.15 Running		
ICE MAKER SPECIFICATIONS				
Electrical	115 Volts	60 Hertz		
Thermostat	Opens at 48°F (9°C)	Closes at 15°F (-9°C)		
Heater Wattage	165			

### IMPORTANT SAFETY NOTICE

The information provided herein is designed to assist qualified repair personnel only. Untrained persons should not attempt to make repairs due to the possibility of electrical shock. Disconnect power cord before servicing.

### IMPORTANT

If any green grounding wires are moved during servicing, they must be returned to their original position and properly secured.

**CAUTION: All electrical parts and wiring must be shielded from torch flame. Do not allow torch to contact insulation; it will char at 200°F and flash ignite (burn) at 500°F. Excessive heat will distort the plastic liner.**

**NOTE: This product comes equipped with an Electronic Defrost Control. To initiate defrost, depress the fresh food light switch 5 times in 6 seconds (light bulb must be working). To terminate defrost, depress the fresh food light switch 5 times in 6 seconds.**

### ICE MAKER INFORMATION

#### Test Cycling

Remove cover by inserting screwdriver in notch at bottom and prying cover from housing. Use screwdriver to rotate motor gear counterclockwise until *Holding Switch* circuit is completed. All components of ice maker should function to complete the cycle.

#### Water Fill Volume

The water fill adjustment screw will change the fill time. One full turn is equal to 20cc (.68 oz.). The correct fill is 95 to 105cc (3.2 to 3.6 oz.). When a water valve is replaced, the fill volume must be checked.

### ATTENTION SERVICERS

Get a HELPING HAND by visiting the Electrolux Home Products Web Site where you can access Service Bulletins, new and old Product Repair Tips, Service Kits, an interactive Service Request Form, FAQ's, and an Next Generation Servicer Video. Visit the site at:

<http://www.frigidaire.com/tip>

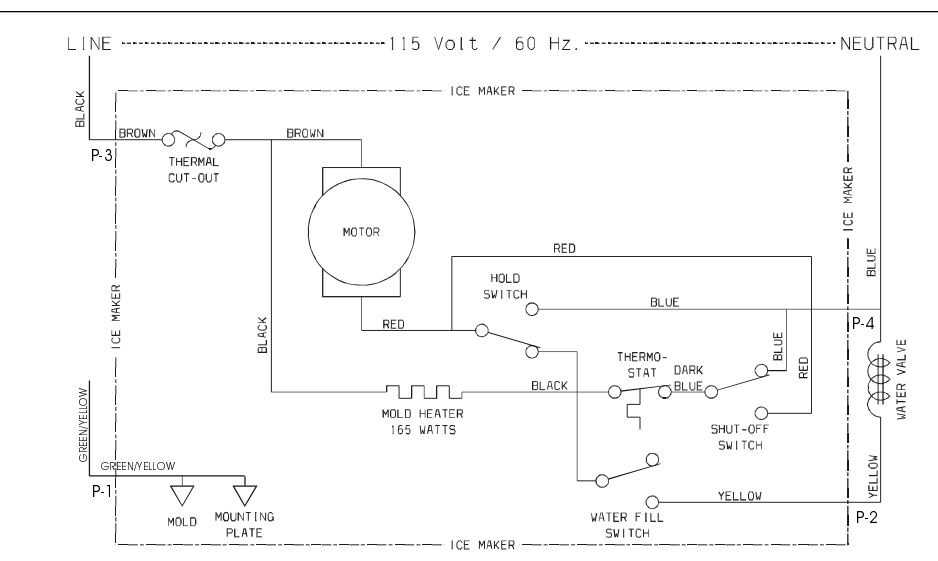
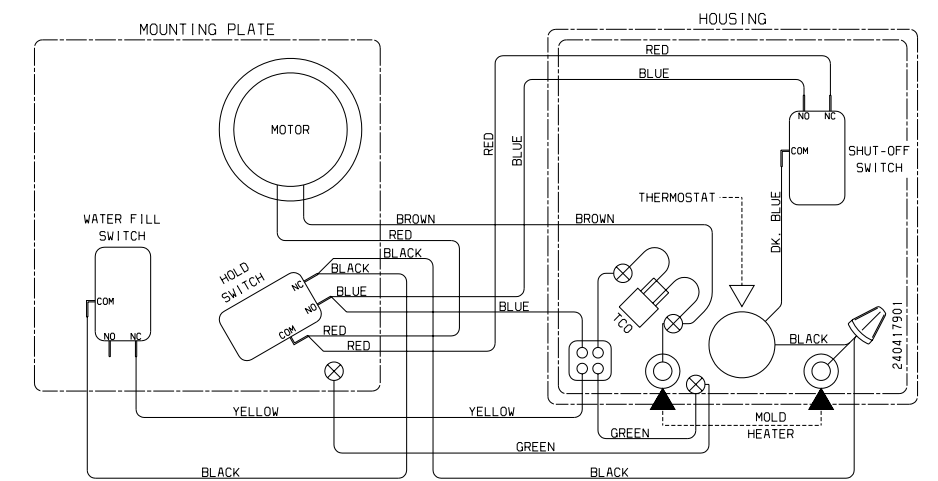
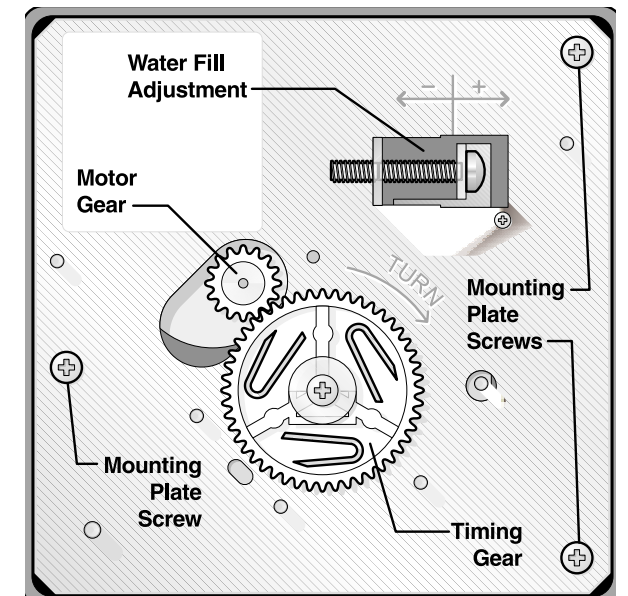
User Name: **service**

Password: **tip**

And now available at <http://www.frigidaire.com/> are the following:

- Wiring Diagrams
- Owner's Guides
- Installation Instructions
- Parts Catalogs

Figure 1





# SERVICE DATA SHEET

240379007

STANDARD - AUTOMATIC DEFROST

TOP FREEZER MODELS

PERFORMANCE DATA NO LOAD AND NO DOOR OPENINGS AT MID-POINT CONTROL SETTING				
Type A With Run Capacitor	65°F (18°C) Ambient	90°F (32°C) Ambient		
Operating Time	25 to 35%	45 to 55%		
Freezer Temperature	2° to 8°F -17° to -13°C	0° to 5°F -18° to -15°C		
Refrigerate Temperature	35° to 40°F 2° to 4°C	35° to 40°F 2° to 4°C		
Low Side Pressure (cut-in)	8 to 16 psig 55 to 110 kPa	8 to 16 psig 55 to 110 kPa		
Low Side Pressure (cut-out)	1 to 4 psig 7 to 28 kPa	1 to 4 psig 7 to 28 kPa		
High Side Pressure (Last 1/3 of cycle)	110 to 120 psig 758 to 827 kPa	150 to 175 psig 1034 to 1207 kPa		
Wattage (Last 1/3 of cycle)	140 to 185	140 to 185		
Amps (Running)	1.1 to 1.6	1.1 to 1.6		
Base Voltage	115 VAC	115 VAC		
DEFROST SPECIFICATIONS				
Cabinet Size	Thermostat		Heater	
	Cut-in	Cut-out	Watts	Ohms
18' & 21'	25°F -4°C	47°F 8°C	375	35
14', 15' & 17'	25°F -4°C	47°F 8°C	325	41
Mechanical Timer - Defrost 30 Minutes Every 10 Hours of Compressor Run Time Electronic Timer (ADC) Defrost Up To 24 Minutes Every 6 - 72 Hours of Compressor Run Time				
CONDENSER FAN MOTOR				
Watts	RPM	Amps		
2.3	1100 CW Opposite Shaft	.15 Running		
ICE MAKER SPECIFICATIONS				
Electrical	115 Volts	60 Hertz		
Thermostat	Opens at 48°F (9°C)	Closes at 15°F (-9°C)		
Heater Wattage	165			

## IMPORTANT SAFETY NOTICE

The information provided herein is designed to assist qualified repair personnel only. Untrained persons should not attempt to make repairs due to the possibility of electrical shock. Disconnect power cord before servicing.

## IMPORTANT

If any green grounding wires are moved during servicing, they must be returned to their original position and properly secured.

**CAUTION: All electrical parts and wiring must be shielded from torch flame. Do not allow torch to contact insulation; it will char at 200°F and flash ignite (burn) at 500°F. Excessive heat will distort the plastic liner.**

**NOTE: This product comes equipped with an Electronic Defrost Control. To initiate defrost, depress the fresh food light switch 5 times in 6 seconds (light bulb must be working). To terminate defrost, depress the fresh food light switch 5 times in 6 seconds.**

## ICE MAKER INFORMATION

### Test Cycling

Remove cover by inserting screwdriver in notch at bottom and prying cover from housing. Use screwdriver to rotate motor gear counterclockwise until *Holding Switch* circuit is completed. All components of ice maker should function to complete the cycle.

### Water Fill Volume

The water fill adjustment screw will change the fill time. One full turn is equal to 20cc (.68 oz.). The correct fill is 95 to 105cc (3.2 to 3.6 oz.). When a water valve is replaced, the fill volume must be checked.

## ATTENTION SERVICERS

Get a HELPING HAND by visiting the Electrolux Home Products Web Site where you can access Service Bulletins, new and old Product Repair Tips, Service Kits, an interactive Service Request Form, FAQ's, and an Next Generation Servicer Video. Visit the site at:

<http://www.frigidaire.com/tip>

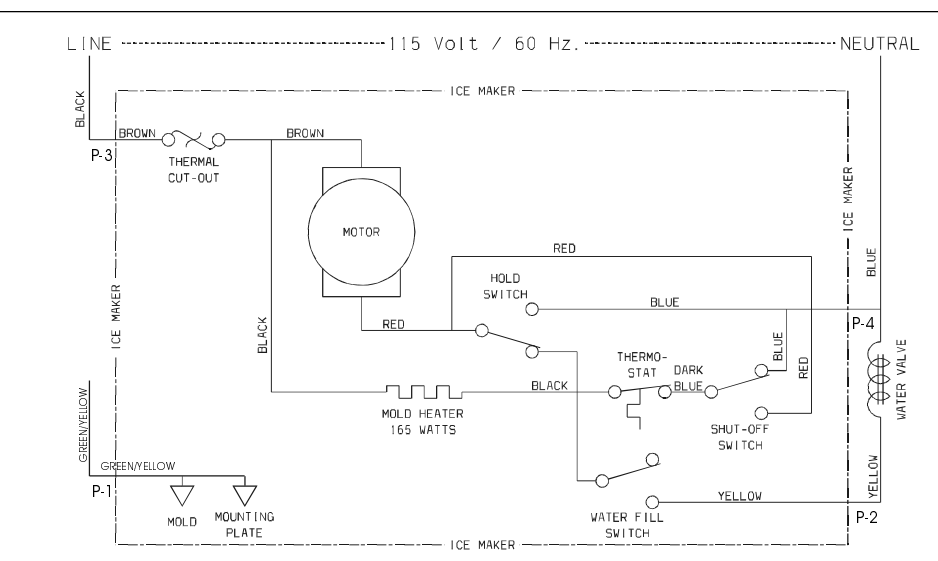
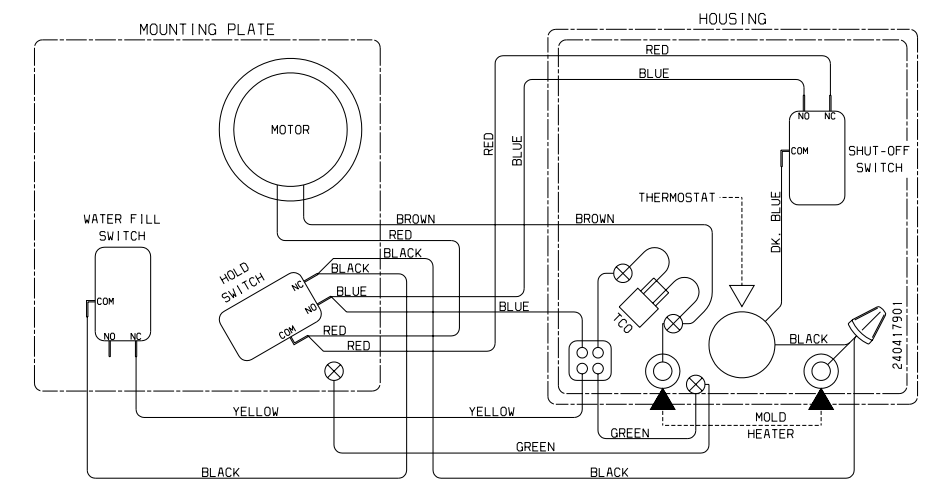
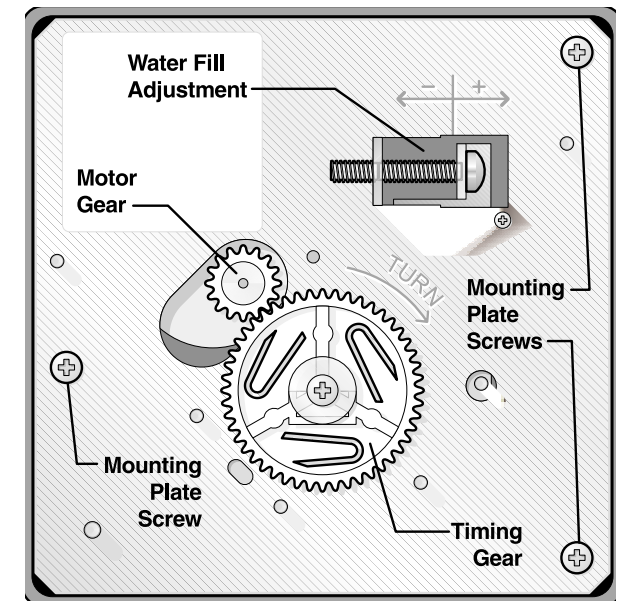
User Name: **service**

Password: **tip**

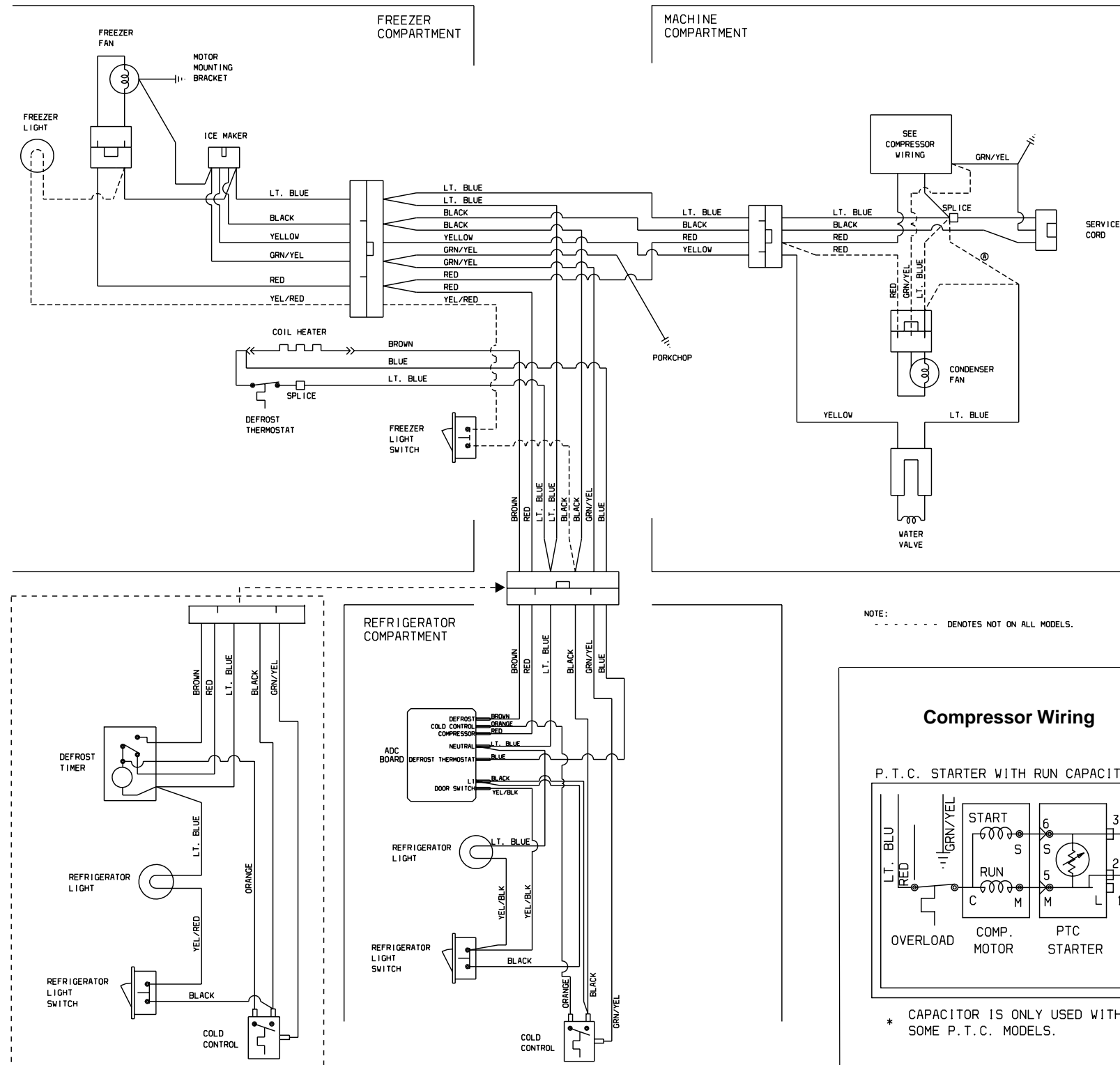
And now available at <http://www.frigidaire.com/> are the following:

- Wiring Diagrams
- Owner's Guides
- Installation Instructions
- Parts Catalogs

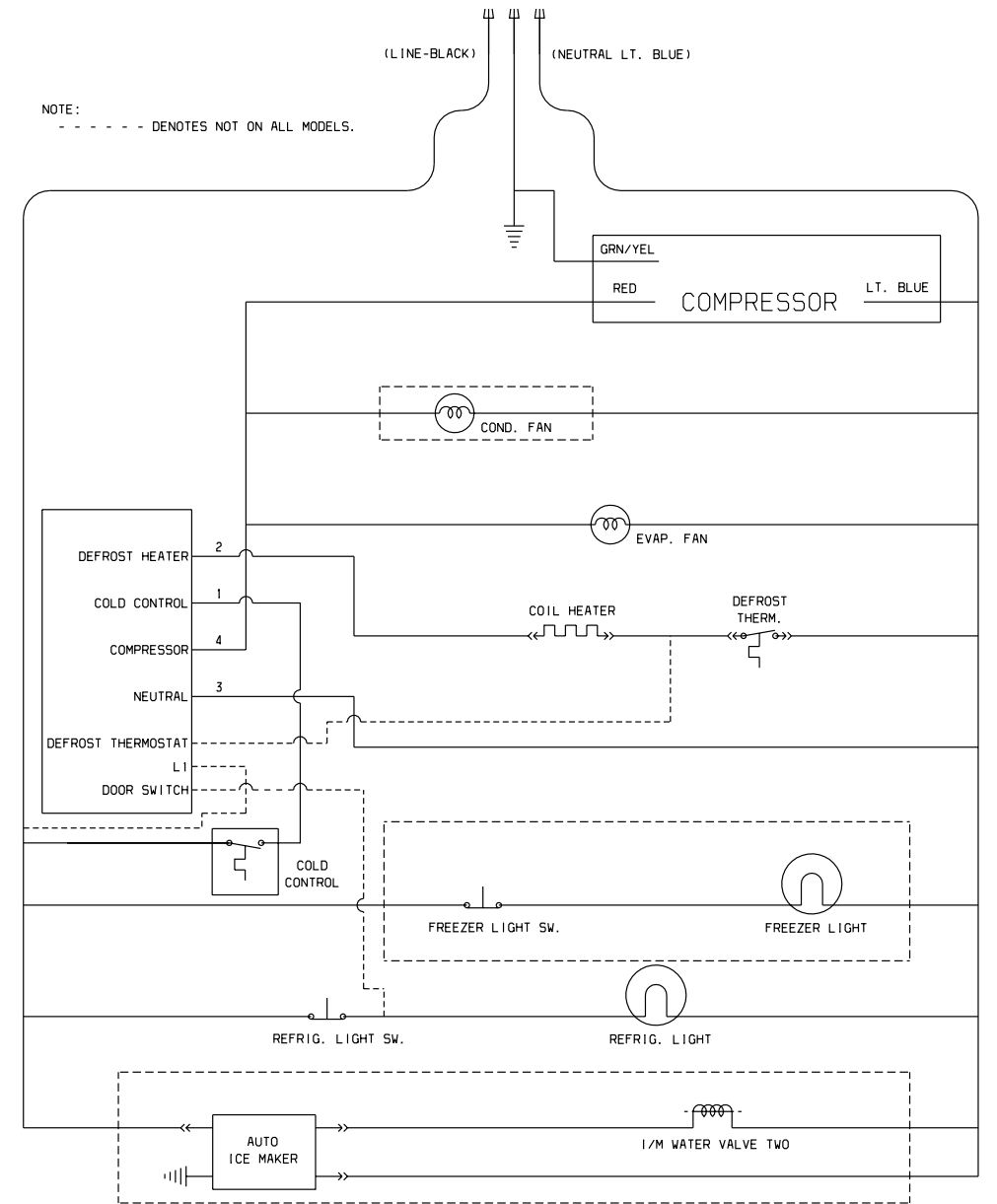
Figure 1



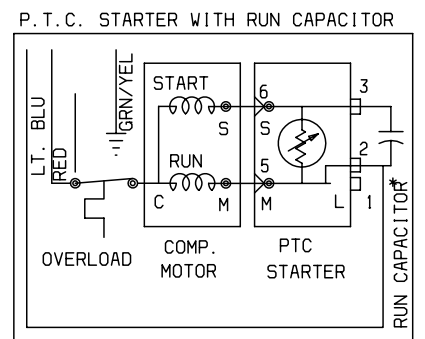
### Pictorial Schematic



### Ladder Schematic



### Compressor Wiring



\* CAPACITOR IS ONLY USED WITH SOME P.T.C. MODELS.