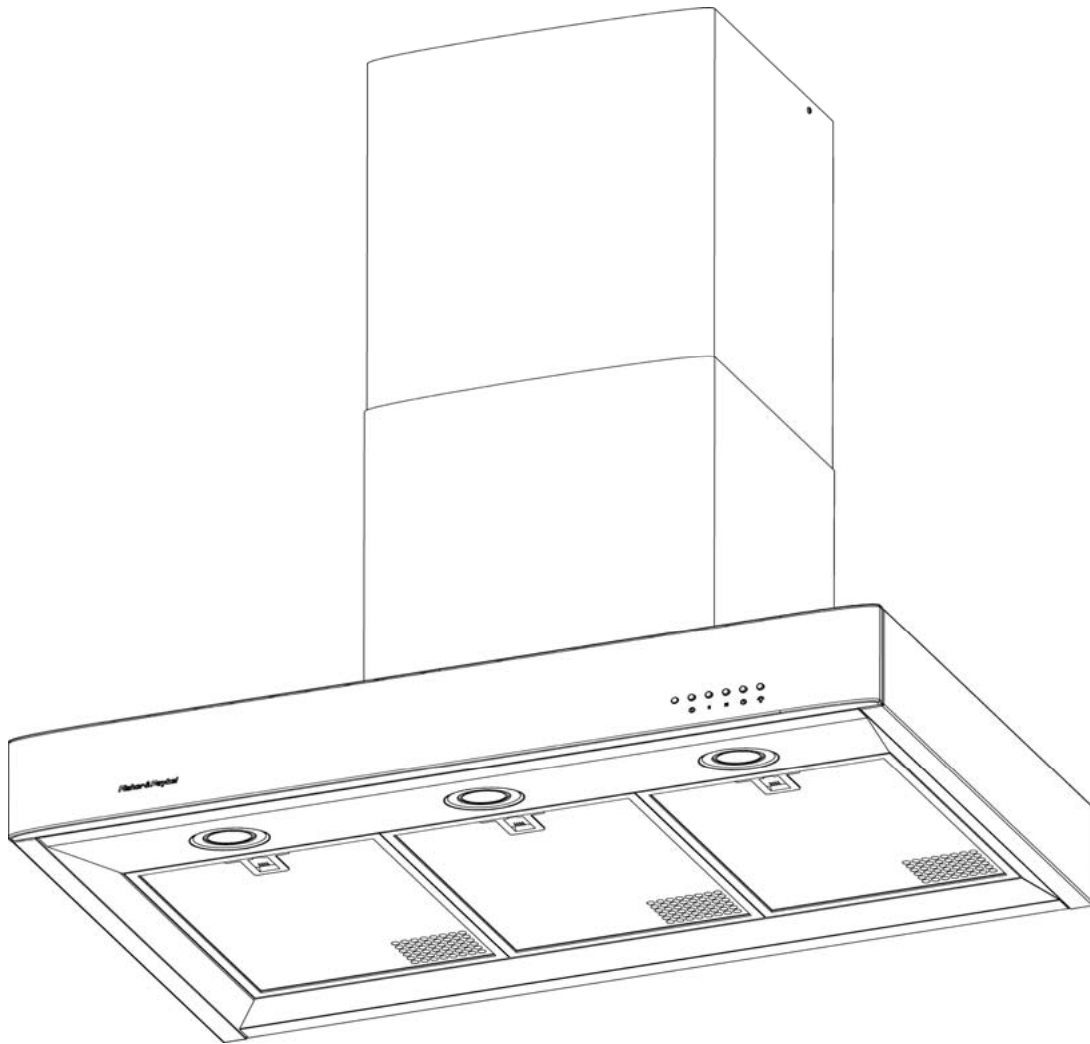


Canopy Rangehoods



Models

88433 RH361 – Titan SS USA
88434 RH361M – Titan IR USA

599227

PRODUCTS

Brand Fisher & Paykel

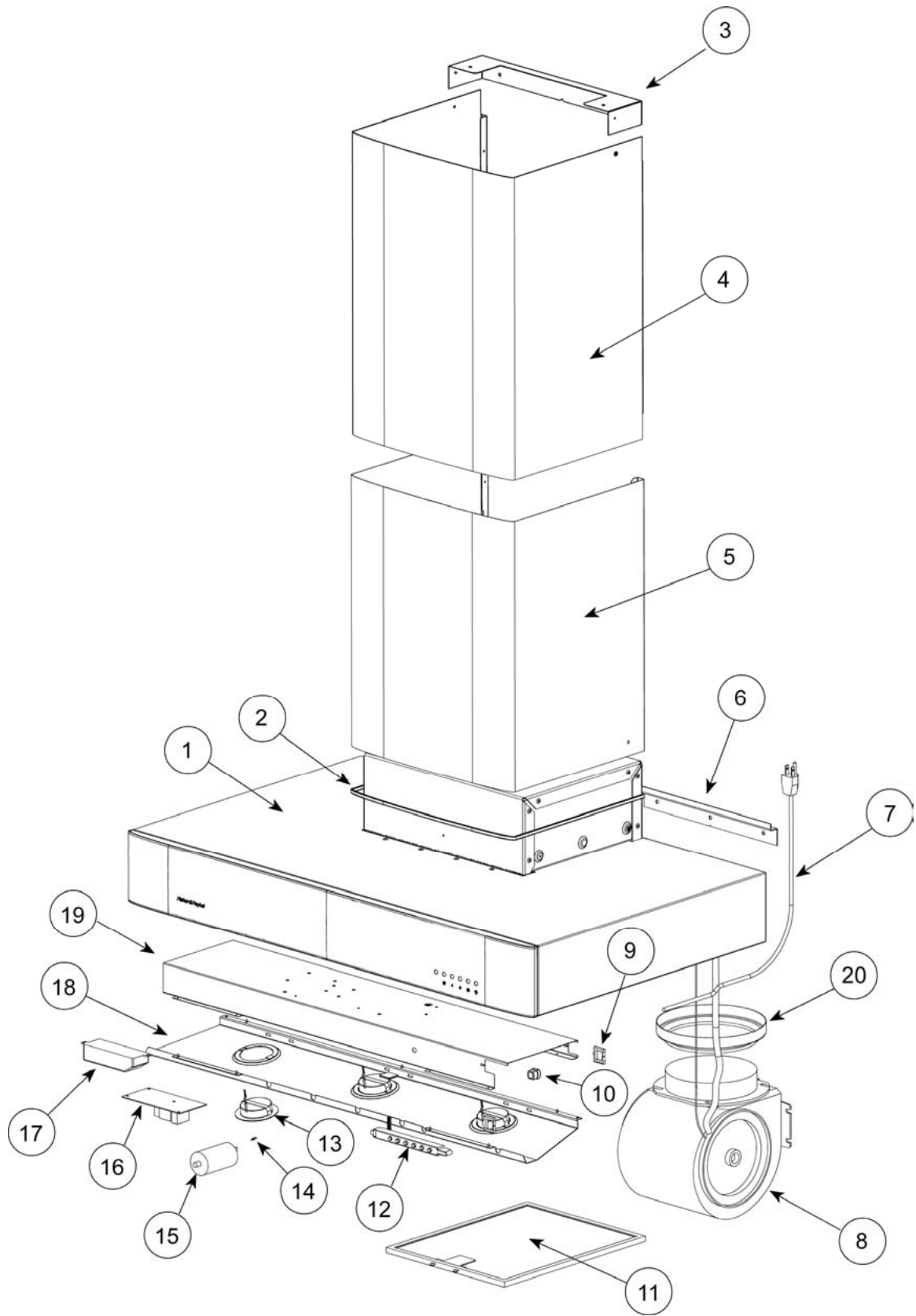
Model **Code** **Voltage** 110V 60Hz

RH361 88433

RH361M 88434

Fisher & Paykel Customer Services
27 Hubble
Irvine
California
CA92618 USA
Tel: 885-936-7872
Fax: 949-790-8913
Email: parts@fisherpaykel.com

COPYRIGHT © FISHER & PAYKEL LTD 2004



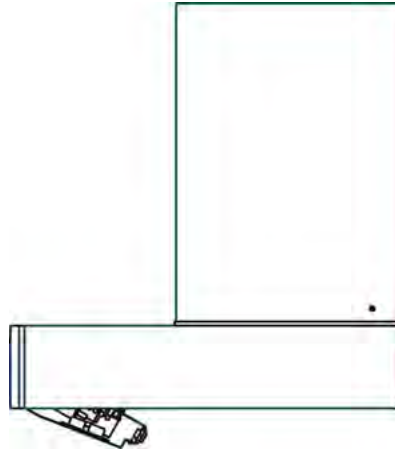
**FISHER & PAYKEL CANOPY
MODELS TITAN: 88433 & 88434**

ITEM	DESCRIPTION	PART No.	
		STAINLESS STEEL	IRIDIUM
1	SUB ASSY TITAN CANOPY		
2	RUBBER EXTRUSION	R104354	
3	CHIMNEY BRACKET	R104610F	
4	CHIMNEY TOP	R104640SSF	R104630IRF
5	CHIMNEY BOTTTOM	R104641SSF	R104631IRF
6	INSTALLATION BRACKET	R104609F	
7	POWER CORD	R104365	
8	MOTOR 110V	R104612	
9	EDGING SADDLE	R104426	
10	BUSH HEYCO SR6N-4 STRAIGHT	R107675	
11	FILTER (STAINLESS STEEL 335 x 267mm)	R104660	
12	SWITCH ASSEMBLY	R104658	
13	HALOGEN LIGHT	R104627	
14	BULB	R104467	
15	CAPACITOR 25 μ F	R104667	
16	PCB SWITCH ELECTRONICS	R104659	
17	TRANSFORMER 110V	R104657	
18	LIGHT PANEL	R104639SSF	R104605IRF
19	ELECTRIC COVER	R104606F	
20	DUCT ADAPTOR	R104766	
	INSTALLATION KIT	R104642	

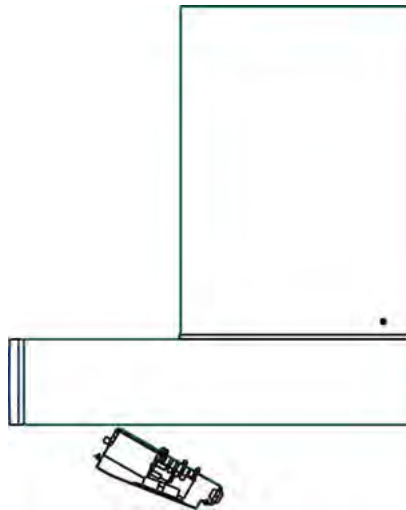
NB some parts not available outside production.

Directions to remove light panel sub assembly from the Titan rangehood

1. Switch off power and remove plug from the mains.
2. Remove filters, taking care not to drop them onto the hob.
3. Cut wire tie(s) holding the light panel cable.
4. **Be aware that once the light panel sub assembly is removed it will need to be supported.**
5. Support the light panel then remove and keep in a safe place the 2 off screws holding the light panel sub assembly to the main body of the rangehood.
6. Tilt the light panel sub assembly down through 30 to 45 degrees at the back edge.

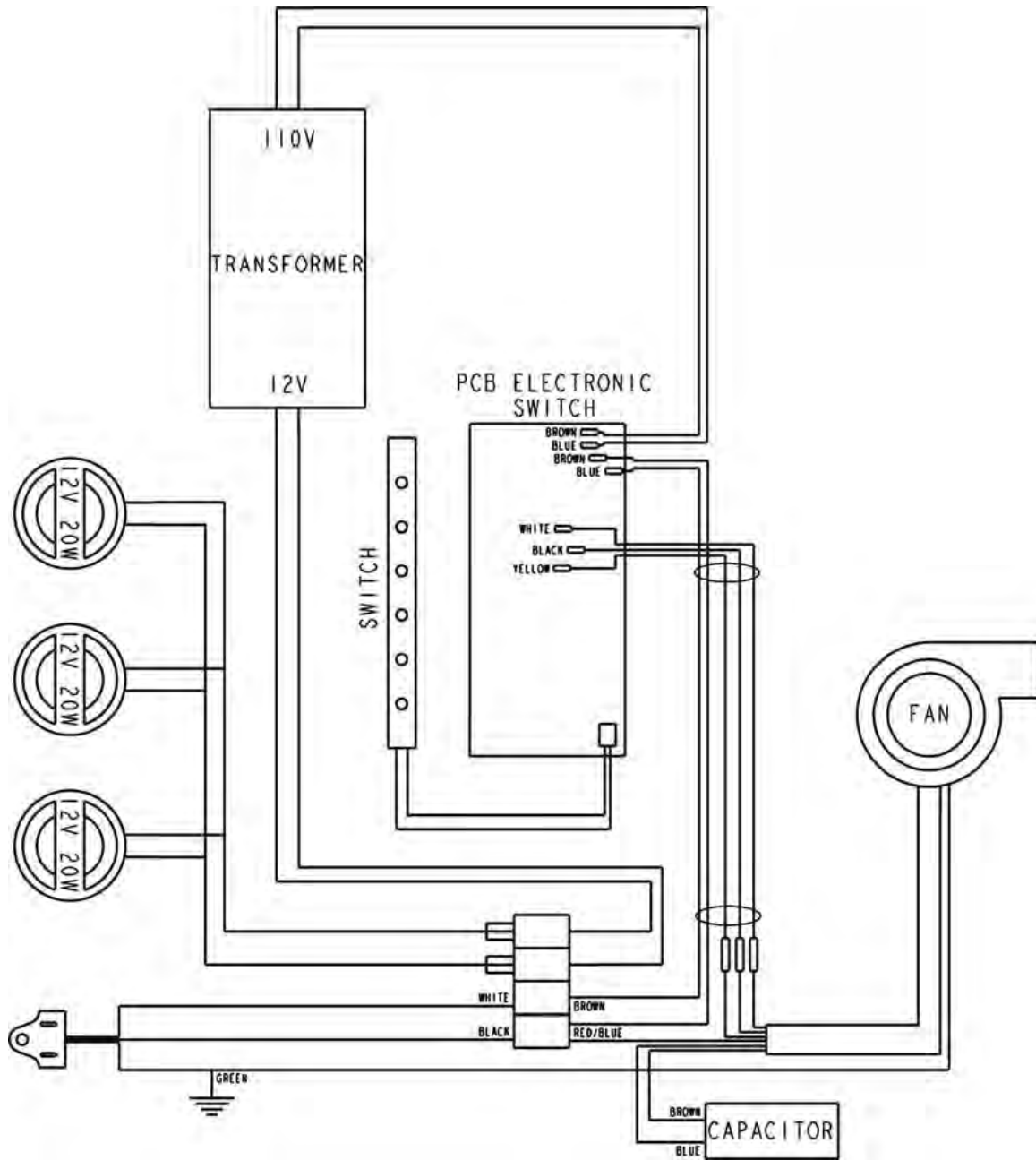


7. The light panel sub assembly is now being held on by a folded edge under the fascia. Carefully rock the light panel sub assembly whilst pushing it away from you to remove the light panel from the rangehood.



8. Remove and keep in a safe place the 7 off screws that are now visible. This will open up the light panel assembly giving access to the components inside
9. Assembly is the reverse of the above. Take care not to scratch the main body of rangehood with the light panel upon refitting. Replace wire tie(s) that were originally cut to remove the light panel sub assembly.

**FISHER & PAYKEL CANOPY RANGE HOOD
 MODELS: TITAN 88433 & 88434
 WIRING DIAGRAM**



Note: Please pay particular attention to wiring colour when servicing this appliance.