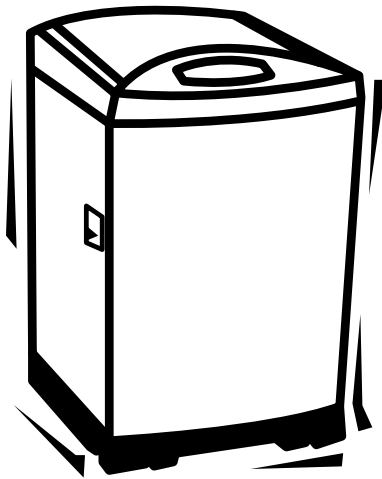




TECHNICAL SERVICE GUIDE

“WSL” Model Washers



MODEL SERIES:

WSLS1100
WSLP1100
WSLM1100





IMPORTANT SAFETY NOTICE

The information in this service guide is intended for use by individuals possessing adequate backgrounds of electrical, electronic and mechanical experience. Any attempt to repair a major appliance may result in personal injury and property damage. The manufacturer or seller cannot be responsible for the interpretation of this information, nor can it assume any liability in connection with its use.

CAUTION

To avoid personal injury, disconnect power before servicing this product. If electrical power is required for diagnosis or test purposes, disconnect the power immediately after performing the necessary checks.

RECONNECT ALL GROUNDING DEVICES

If grounding wires, screws, straps, clips, nuts, or washers used to complete a path to ground are removed for service, they must be returned to their original position and properly fastened.

GE Consumer Service Training
Technical Service Guide
Copyright © 2000

All rights reserved. This service guide may not be reproduced in whole or in part in any form without written permission from the General Electric Company.

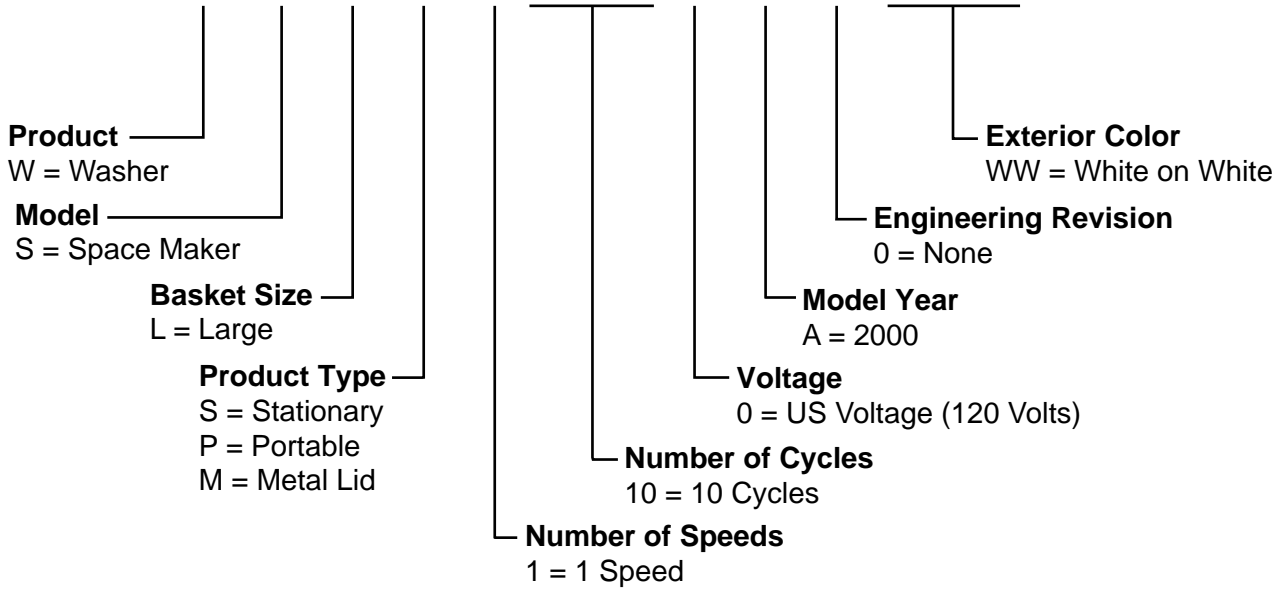
Table of Contents

Washer Nomenclature	.2
Installation Highlights	3
Control Settings and Options	6
Timetable of Function	8
Water System and Filtering	9
PCB Assembly	10
Top Cover	10
Pressure Sensor	10
Unbalance Switch	11
Water Valve	11
Detergent Assembly	11
Pump Assembly	11
Washer Motor	12
Transmission	12
Brake Control Motor	13
Capacitor	13
Damper Assembly	13
Self-Diagnostic Functions	14
Water Level and Power Test	15
Schematics and Strip Circuits	16
Troubleshooting Flowcharts	20
Illustrated Parts Breakdown	22
Special Tools and Accessories	26
Warranty Information	28

Washer Nomenclature

Model Number

W S L S 1 1 0 0 A 0 W W



Nomenclature



GEA00325

Serial Number

The first two numbers of the serial number identify the month and year of manufacture.

Example: AZ123456S = January, 2000

A - JAN	2005 - H
D - FEB	2004 - G
F - MAR	2003 - F
G - APR	2002 - D
H - MAY	2001 - A
L - JUN	2000 - Z
M - JUL	1999 - V
R - AUG	1998 - T
S - SEP	1997 - S
T - OCT	1996 - R
V - NOV	1995 - M
Z - DEC	1994 - L

The letter designating the year repeats every 12 years.

Example:

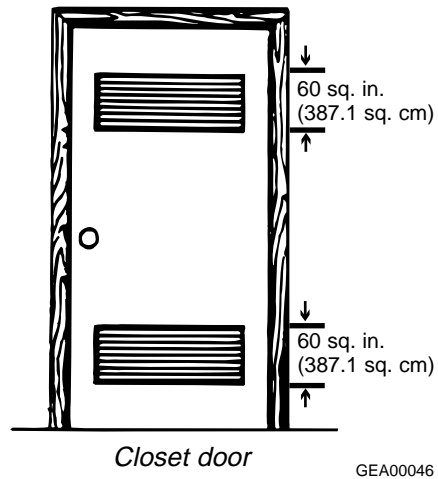
T - 1974
T - 1986
T - 1998

Note: The technical sheet is located under the control panel.

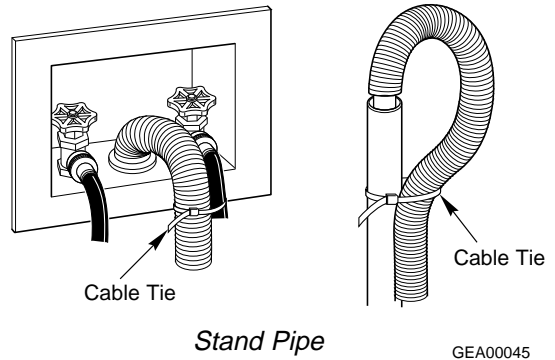
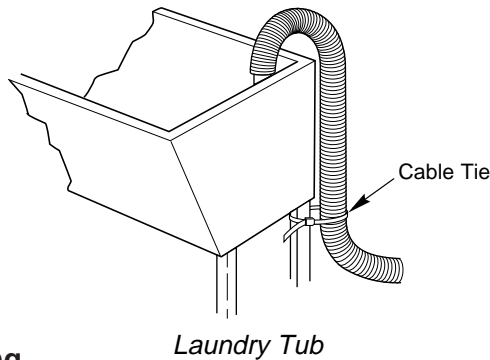
Installation Highlights

Location

- Washer must be installed on firm flooring. Concrete flooring is best, but wood base is sufficient providing floor support meets FHA standards.
- Washer should not be installed on rugs or exposed to the weather.
- Install or store washer where it will not be exposed to temperatures below freezing.
- Minimum clearances between washer and adjacent walls or other surfaces are: 0" either side, 2" front, 3" rear.
- Minimum vertical space from floor to overhead shelves, cabinets, ceilings, etc., is 96".
- Closet doors must be louvered or otherwise ventilated and have at least 60 square inches open area for washer only, or if the closet contains both a washer and dryer, doors must contain at least 120 square inches of open area equally distributed.



Note: The clearances stated are minimums. Consideration must be given to providing adequate clearances for installation and servicing.



Plumbing

- **Water pressure** must be 10 psi minimum to 150 psi maximum dynamic pressure measured at faucet.
- **Water temperature** on household water heater should be set to deliver water at 120° to 150°F (50° to 66°C) in the washer when HOT wash is selected.
- Shut-off valves should be supplied for both hot and cold water lines.
- Drain water into a standpipe or laundry tub. The discharge height must not be less than 30" nor more than 8' above the base of the washer. The standpipe must be 1-1/2" minimum inside diameter and must be open to the atmosphere.

Electrical Wiring

- National Electrical Codes or prevailing local codes and ordinances must be followed.
- 120V, 60Hz must be supplied and connected to an individual, properly grounded branch circuit, protected by a 15- or 20-amp circuit breaker or time delay fuse.
- Wiring must be 2-wire with ground.



Listed by
Underwriters
Laboratories

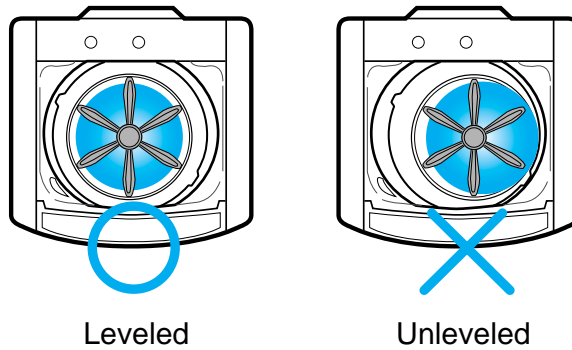
Electrical Rating

Voltage AC	120
Hertz	60
Total connected load amperage	10.0

For use on adequately wired 120-volt, 15-amp circuit having 2-wire service with a separate ground wire. This appliance must be grounded for safe operation.

Leveling the Washer

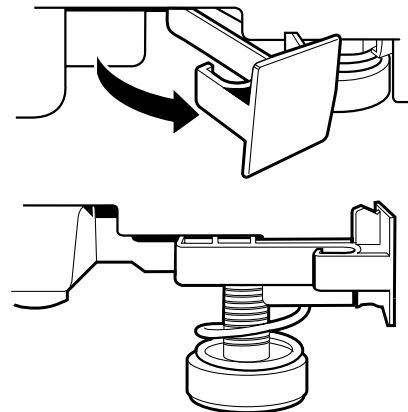
Excessive vibration will occur if the washer is not leveled. This will also trip the unbalance switch and stop the washer. Check to ensure the washer is level. With the door open, the spin basket should be centered in the opening as shown in the “leveled” view. If the spin basket is not in the center or “unleveled” as shown at far right, level the washer as follows:



GEA00137

Note: Be careful not to kick or step on the leveling locks.

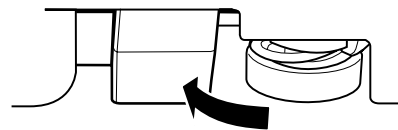
- Pull out the leveling locks located at the bottom front of the left and right sides of the washer. This releases the spring loaded leveling feet.
- The washer will attempt to automatically level itself.
- Check level at body panel line and adjust as necessary.
- Push leveling locks back in.
- Manually level the rear feet (side to side).



GEA00042

Precautions

This automatic washing machine is very complicated in structure. The user may call for service even though the machine has no problem. The following precautions are summarized to aid in proper troubleshooting and current best practices for repair:



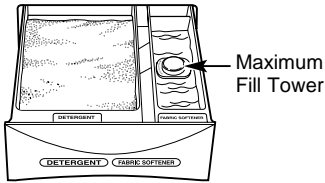
GEA00043

1. Do not permit the user to repair or replace any part of the appliance or perform any servicing unless specifically recommended in the owner's manual.
2. Disconnect the power cord from the machine before repairing the machine.
3. Inspect power cord for damage.
4. Check the electrical power outlet for proper rating.
5. Check the level by noting if the spin basket is centered in the door opening.
6. When reassembling plastic, turn the screw to the left to seat in existing thread before turning screw to the right. This prevents stripping of threads.

Special Washer Features

Before starting the washer:

1. Load the laundry in the washer.
2. Add the detergent and fabric softener to the dispenser drawer.
3. Add bleach (if needed) to the bleach dispenser.



GEA00172

Detergent and Fabric Softener Dispenser Drawer

The detergent and fabric softener dispensers will automatically release their contents at the proper time during the cycle.

To use the Detergent Dispenser:

Add measured detergent to the dispenser. Make sure detergent is spread evenly and is level.

To use the Fabric Softener Dispenser:

Use only liquid fabric softener. Pour into dispenser, using amount recommended on the package.

* **Do not fill any higher than the top of the maximum fill tower.**

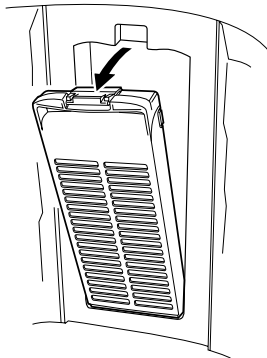
* **Never pour fabric softener directly onto clothes; it may stain them.**



GEA00173

Cleaning the Detergent and Fabric Softener Dispenser Drawer:

1. Remove the drawer by opening it fully, then lifting the front of the door. Pull out.
2. Rinse the drawer with water. If necessary, use a soft cloth to wipe off any debris. Lift fabric softener cap off and clean thoroughly. Make sure cap is fully seated during installation by pressing down firmly.
3. Line up the left side of the drawer with the washer opening and push the dispenser drawer straight in.



GEA00174

Lint Filters

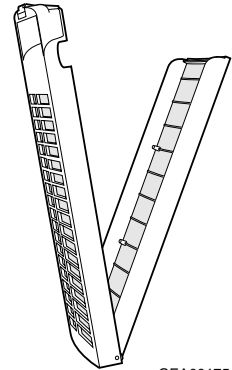
Clean the lint filters inside the walls of the wash basket once a week for best filtering results.

To remove:

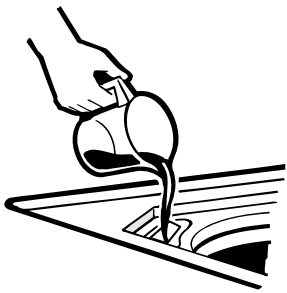
Press the tab at the top of the filter and pull out.

To clean:

Open the filter. Clean the filter with a toothbrush.



GEA00175



GEA00176

Liquid Bleach Dispenser

The dispenser dilutes liquid chlorine bleach before it reaches your wash load.

WARNING: Do not mix chlorine bleach with ammonia or acids such as vinegar and/or rust remover. Mixing can produce a toxic gas which may cause death.

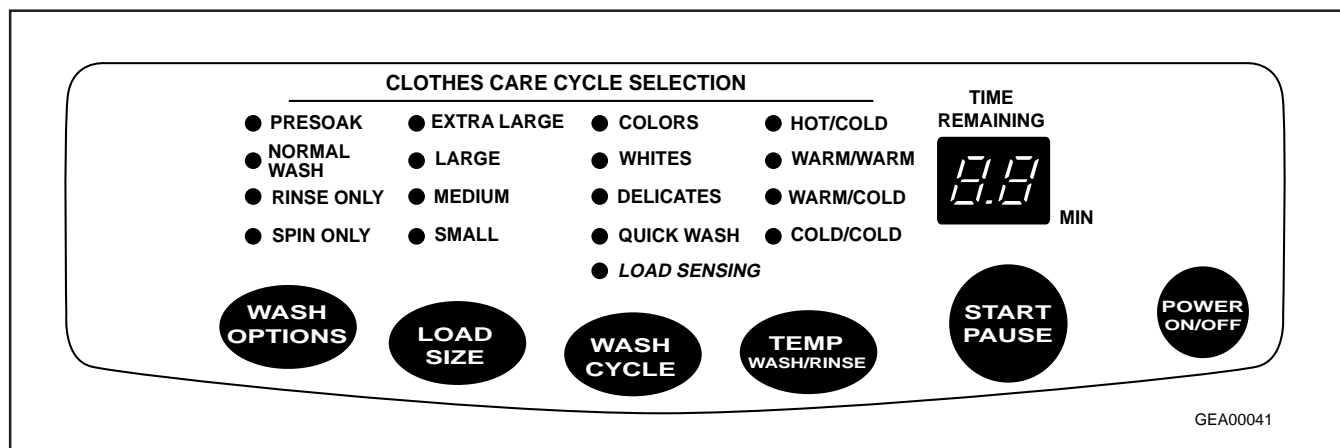
Note: Never pour undiluted liquid chlorine bleach directly onto clothes or into the wash basket. Do not pour powdered bleach directly into dispenser. Make sure washer is properly leveled, or bleach may spill through washer and onto the floor.

Hints on Bleaching

1. Check clothing care labels for special instructions.
2. Measure liquid bleach carefully, following instructions on the bottle.
3. Before starting the washer, pour measured amount of bleach directly into bleach dispenser. Avoid splashing or overfilling dispenser. If you prefer to use powdered bleach, add it into the wash basket with your detergent.

Control Settings and Options

The washer is designed to operate with hot and cold water. The user can tell by a glance at the LEDs what is going on in the washer. Improved operation of this unit has been simplified by using MICRON (tactile) type touch buttons. This load sensing unit utilizes a fuzzy logic electronics package to automatically set the water level.



Automatic One-Touch Washing

The *Load Sensing* feature automatically senses the size of your load, fills with the appropriate amount of water, and calculates the amount of wash time required to complete the cycle.

To choose the automatic *Load Sensing* feature, press POWER ON. The following indicators will light up automatically: NORMAL WASH, LOAD SENSING, and COLD/COLD. Then simply press START/PAUSE.

To Choose Your Own Cycle Selections

1. POWER ON/OFF

Press the POWER button to turn the control panel ON.

2. WASH OPTIONS

Choose the wash option to be included in the cycle. Press the WASH OPTIONS button until the indicator by the desired option to be included is lit. No more than one option can be selected.

- PRESOAK - This option can be added to the WASH CYCLE selected. It should be used for heavily soiled clothes that need to be soaked before washing. PRESOAK light goes out and NORMAL WASH light is illuminated when presoak cycle is complete.
- NORMAL WASH - This option is automatically selected when POWER ON is pressed.
- RINSE ONLY - This option may be used to add up to 4 additional rinse cycles to the WASH CYCLE chosen.
- SPIN ONLY - This option is recommended for washable woolens and sweaters. It will extend the spin without stretching the knit.

3. LOAD SIZE

The water level should just cover the clothes. Adjust the load size accordingly. Loosely load clothes no higher than the top row of holes in the washer basket.

4. WASH CYCLE

These wash cycles control the length of the washing process (refer to Timetable of Function). The following chart will help match the WASH CYCLE setting to specific laundry needs. When a cycle is selected, the automatic temperature that the machine defaults to can be changed to whatever temperature desired.

<i>Wash Cycle</i>	<i>Description</i>	<i>Default Wash/Rinse Temperatures</i>
COLORS	For easy care and wrinkle-resistant items.	WARM/COLD
WHITES	For heavy to lightly soiled cotton, household linens, towels, work, and play clothes.	HOT/COLD
DELICATES*	For lingerie and delicate fabrics with light to normal soils.	COLD/COLD
QUICK WASH	For one or two lightly soiled items that are needed quickly.	WARM/COLD

*In DELICATES cycle the activator action is not continuous. Activator is active for 2 min. then off for 3 min. for entire wash cycle.

Note: WARM/WARM is a manual setting only.

5. TEMP WASH/RINSE

Select the water temperature for the wash and rinse cycles. Always follow fabric manufacturer's care label or instructions when laundering.

Note: For portable models using a one-faucet connection, the water flow mix and water temperature are adjusted at the faucet.

6. START/PAUSE

Press the START/PAUSE button to start the wash cycle.

7. TIME REMAINING

The TIME REMAINING window displays the time remaining in the wash and rinse cycles. When the time remaining is greater than 99 minutes, 2H (two hours) will be displayed in the window. It also displays Error Codes for troubleshooting.

Note: When the cycle is complete, the control panel will turn OFF automatically.

Timetable of Function

DIVISION	LOAD SIZE	WASH								RINSE ⁴							ALL TIME		DISPLAY TIME
		FILL ³	PRESOAK ¹ ACTIVATE	SOAK	ACTIVATE	DRAIN	INT SPIN	SPIN	STOP	FILL ³	ACTIVATE	DRAIN	INT SPIN	ADL R SPIN ²	FINAL SPIN	STOP	MIN	SEC	
LOAD SENSING	X	5'	5'	15'	18'	2'10"	3'	2'	1'	5'	4'	2'10"	3'	2'	6'	1'	52	20	53 MIN
	L	4'30"	5'	15'	15'	2'	3'	2'	1'	4'30"	4'	2'	3'	2'	6'	1'	48	0	48 MIN
	M	4'	5'	15'	12'	1'50"	3'	2'	1'	4'	4'	1'50"	3'	2'	6'	1'	43	40	44 MIN
	S	3'30"	5'	15'	10'	1'40"	3'	2'	1'	3'30"	4'	1'40"	3'	2'	6'	1'	40	20	41 MIN
COLORS	X	5'	5'	15'	15'	2'10"	3'	2'	1'	5'	3'	2'10"	3'	2'	4'	1'	46	20	47 MIN
	L	4'30"	5'	15'	15'	2'	3'	2'	1'	4'30"	3'	2'	3'	2'	4'	1'	45	0	45 MIN
	M	4'	5'	15'	15'	1'50"	3'	2'	1'	4'	3'	1'50"	3'	2'	4'	1'	43	40	44 MIN
	S	3'30"	5'	15'	15'	1'40"	3'	2'	1'	3'30"	3'	1'40"	3'	2'	4'	1'	42	20	43 MIN
WHITES	X	5'	5'	15'	18'	2'10"	3'	2'	1'	5'	4'	2'10"	3'	2'	6'	1'	52	20	53 MIN
	L	4'30"	5'	15'	18'	2'	3'	2'	1'	4'30"	4'	2'	3'	2'	6'	1'	51	0	51 MIN
	M	4'	5'	15'	18'	1'50"	3'	2'	1'	4'	4'	1'50"	3'	2'	6'	1'	49	40	50 MIN
	S	3'30"	5'	15'	18'	1'40"	3'	2'	1'	3'30"	4'	1'40"	3'	2'	6'	1'	48	20	49 MIN
DELICATES	X	5'	5'	15'	12'	2'10"	3'	30"	1'	5'	2'	2'10"	3'	30"	3'	1'	39	50	40 MIN
	L	4'30"	5'	15'	12'	2'	3'	30"	1'	4'30"	2'	2'	3'	30"	3'	1'	38	30	39 MIN
	M	4'	5'	15'	12'	1'50"	3'	30"	1'	4'	2'	1'50"	3'	30"	3'	1'	37	10	38 MIN
QUICK WASH	X	5'	5'	15'	8'	2'10"	3'	2'	1'	5'	3'	2'10"	3'	2'	3'	1'	38	20	39 MIN
	L	4'30"	5'	15'	8'	2'	3'	2'	1'	4'30"	3'	2'	3'	2'	3'	1'	37	0	37 MIN
	M	4'	5'	15'	8'	1'50"	3'	2'	1'	4'	3'	1'50"	3'	2'	3'	1'	35	40	36 MIN
	S	3'30"	5'	15'	8'	1'40"	3'	2'	1'	3'30"	3'	1'40"	3'	2'	3'	1'	34	20	35 MIN

1. Twenty minute PRESOAK function occurs only when selected. This time has not been added to the ALL TIME column.
2. When one or more additional rinse cycles are selected, this shorter ADDITIONAL RINSE SPIN time is used for all rinse cycles except the final rinse cycle. The final rinse cycle uses the FINAL SPIN time. The time from this ADDITIONAL RINSE SPIN column has not been added to the ALL TIME column.
3. The actual fill time is a function of water flow rate and may be more or less than the time specified. If more time is needed the countdown will pause. If less time is needed, the control deletes the remaining fill time.
4. The rinse water valve flushes fabric softener from dispenser for 30 seconds at the beginning of the last rinse cycle only.

Water System and Filtering

Weight Recognition Function (Load Sensing)

- The weight recognition function measures the washing load before water is supplied. It does not function in DELICATES or manual function operations (WASH OPTIONS).
- The weight recognition function is canceled when water level key is pressed prior to the completion of weight recognition function.
- If the current water level is above the lowest level at the beginning of weight sensing, it is automatically set as a high level.
- If you change wash cycle after sensing weight, the high water level is automatically selected regardless of the water level decided by the sensing of weight.

Water Supply Function

- Relations between water level, frequency, and water supply capacity are as follows:

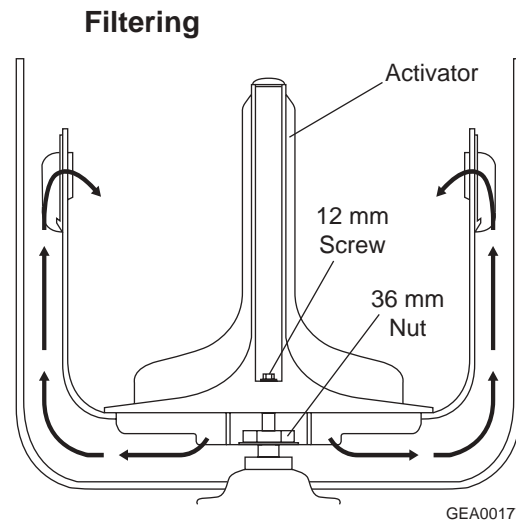
Water Level Frequency Chart

	Water Supplied		Frequency (KHz)
	(gal.)	(in.)	
RESET	0	0	25.20
SMALL	11.4	6.7	23.54
MEDIUM	14.6	8.2	23.12
LARGE	18.0	10.3	22.60
EXTRA LARGE	22.5	13.2	22.35

- If the water level does not reach the selected level within 60 minutes after starting water supply, the Water Supply Error (7E) is displayed.

Supplementary water supply is performed during every washing or rinsing operation. The steps are as follows:

- Supply water to the water level selected.
- Perform the ACTIVATE operation for 1.5 minutes.
- Sense the present water level after stopping motor.
- Compare the present water level to the water level selected.
- If present water level is less than the water level selected, supply water to the water level selected. If present water level is greater than the water level selected, continue the washing or rinsing operation.
- Total time of supplementary water supplying is not over 30 seconds.

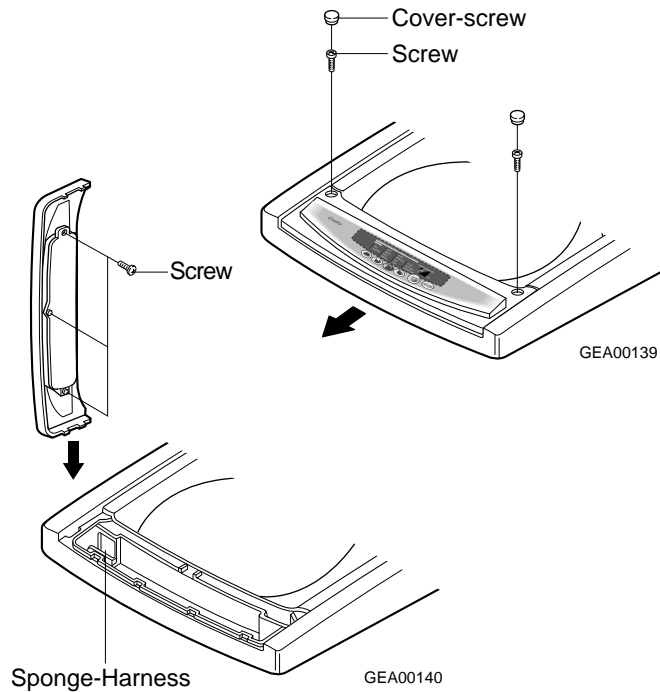


Filtering action takes place when the impeller blades, on the underside of the activator, pump the water up the side of the tub and through the 2 lint filters on the basket.

Removal and Replacement

Remove PCB Assembly

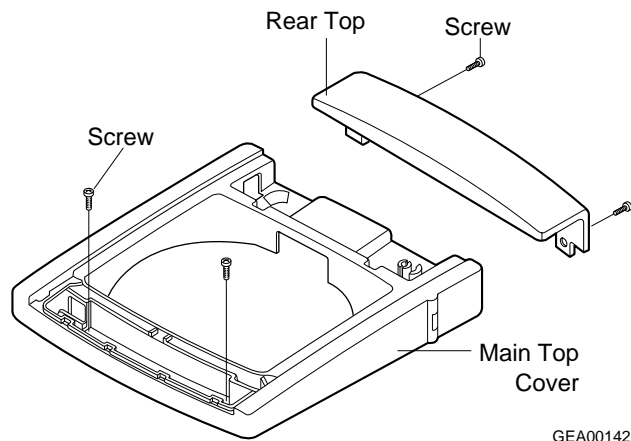
1. Open lid and insert small screwdriver blade into notch in each of 2 screw covers. Push blade in and pull handle down to remove covers.
2. Remove 2 screws.
3. Lift back of control panel while sliding panel forward. Lift panel and turn it over.
4. Remove 3 screws and PCB from the control panel.
5. Disconnect 7 connectors from PCB and remove PCB.



Remove Top Cover

WARNING: The exposed electrical connector for the unbalance switch carries 120 volts. Be sure power to washer is disconnected before removing rear top cover. Failure to comply can cause injury or death.

1. Remove control panel.
2. Remove 2 screws from front of main top cover.
3. Remove 2 screws from back of rear top cover.
4. Lift rear top cover from back and push forward to remove.
5. Remove 4 terminal connectors, pressure sensor hose, and main top cover from washer.



Pressure Sensor

1. Remove rear top cover.
2. Disconnect pressure sensor wire harness connector.
3. Release pressure on three clips while pulling pressure sensor in upward direction.
4. Loosen hose clip and remove pressure sensor from hose.



Remove Unbalance Switch

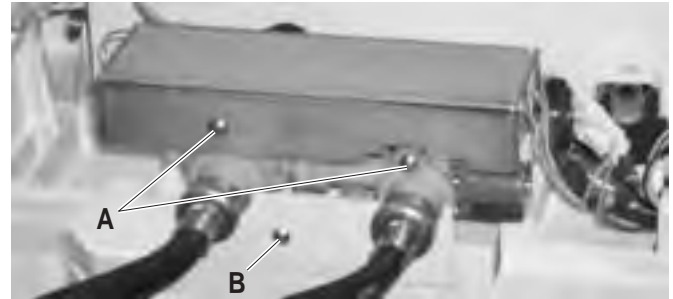
WARNING: The exposed electrical connector for the unbalance switch carries 120 volts. Be sure power to washer is disconnected. Failure to comply can cause injury or death.

1. Disconnect unbalance switch wire harness connectors.
2. Remove 2 screws and the unbalance switch from the washer.



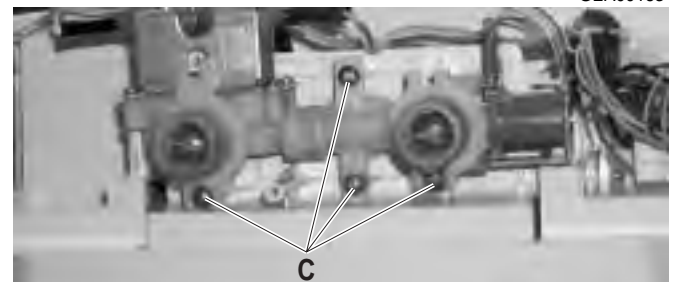
Remove Water Valve

1. Remove hoses from water valve.
2. Remove 2 screws (A) and metal cover from water valve.
3. Disconnect water valve wire harness connectors.
4. Remove screw (B) and small panel from under hose connections.
5. Remove remaining 4 screws (C) and water valve from washer.
6. Remove water valve from rinse hose.



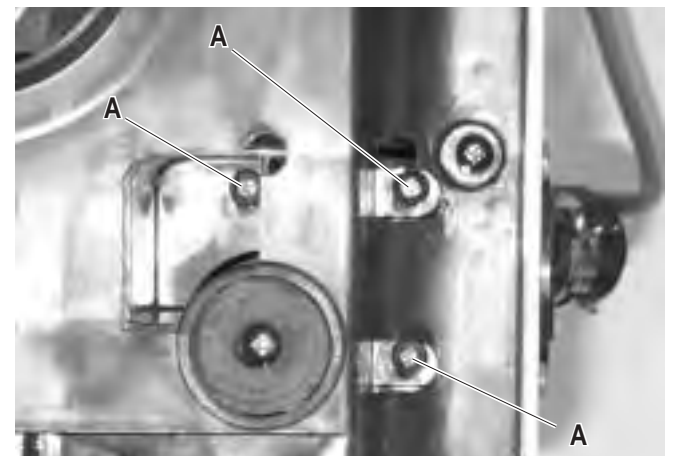
Remove Detergent Assembly

1. Remove water valve.
2. Remove 2 screws from bottom of detergent case.
3. Remove rinse hose.

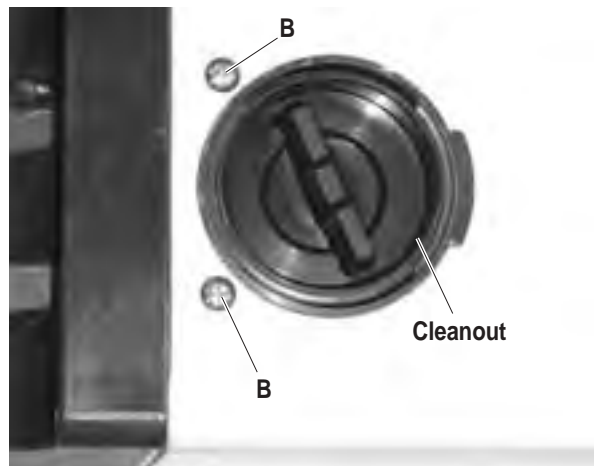


Remove Pump Assembly

1. Lay washer on left side.
2. Disconnect both wire harness connectors.
3. Remove 3 hose clips and hoses.
4. Remove 3 screws (A) holding pump assembly to washer base.
5. Supporting pump assembly, remove 2 screws (B) and pump assembly from left-side outer case.



Note: The pump assembly has a cleanout access that unscrews to remove foreign objects from the pump. Symptoms of a clogged pump include no pumping and noise when pumping.



Remove Washer Motor

1. Lay washer on back.
2. Scribe motor base position on machine base.
3. Check and record belt deflection to ensure same deflection and belt tension after installation. (Approx. 1/2 inch.)
4. Using channel locks on tabs of connectors, disconnect motor wire harness connector from motor.
5. Remove 4 screws (10 mm), motor, and V-belt from machine base.
6. Remove motor pulley.



GEA00150

Transmission Manual Checks

To manually check activation, unplug washer and turn the drive pulley to the right. The activator should easily turn in the same direction at a ratio of 5.33:1. Turn the pulley to the left; the activator should easily turn in that direction. To check spin, manually move the brake lever toward the brake motor to release brake and engage clutch. Rotate pulley to the right; tub should rotate to the right.

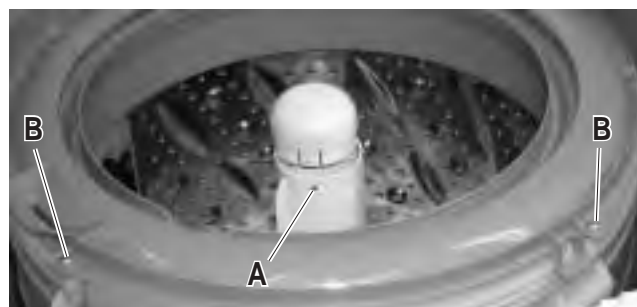


GEA00327

Note: Failure to operate as described requires transmission replacement.

Remove Transmission

1. Insert, at a downward angle, a small screwdriver blade in one of the two holes (A) below the activator cap and push in while removing the cap.
2. With 12-mm socket and 20-inch extension, remove screw from bottom of activator and activator from the transmission shaft (right-hand thread).
3. Remove 4 screws (B) and tub cover.



GEA00153

Note: Basket spin nut removes clockwise.

4. Using the spin out adapter (WX5X6280) or a 36-mm, 6-point socket, remove spin nut and basket from transmission shaft.



GEA00328

WARNING: The outside of the basket is very sharp. Care must be taken when handling the basket to avoid injury.

5. Remove basket from washer.
6. Lay washer on back.
7. Remove 4 screws (C) (10 mm) and saddle from machine base.
8. Remove 4 screws (D) (13 mm), V-belt, and transmission from washer.

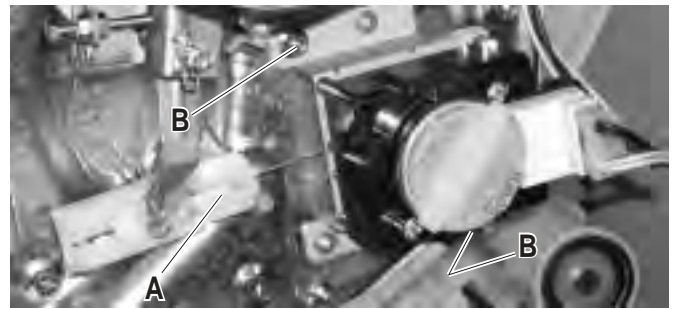


GEA00161

Remove Brake Control Motor

1. Lay washer on back.
2. Disconnect both brake control motor wire harness connectors.
3. Disconnect cable link (A) from ratchet assembly by removing 2 cotter pins.
4. Remove 2 screws (B) and brake control motor from machine base.

Note: When replacing brake control motor, be sure the straight leg of the cotter pin is inserted in the hole and the angled leg is away from the brake motor. Ensure that the electrical connection is tight and secure.



GEA00164

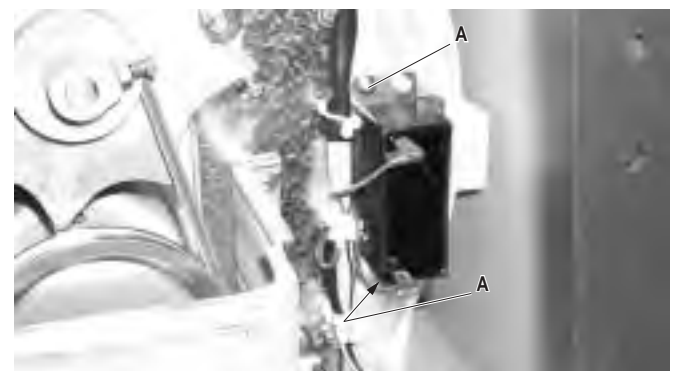
Remove Capacitor

WARNING: Disconnect the washer electrical cord from the power supply before servicing the capacitor. The capacitor is capable of storing voltage that could be lethal. **Do not touch the bare capacitor terminals.**

1. Lay washer on back.

WARNING: Before removing the capacitor, make sure the stored electrical charge has been dissipated by placing a 100-ohm, 2-watt resistor across the terminals, or by placing a screwdriver blade between the terminals and grounding the screwdriver to tub support for several seconds.

2. Disconnect both capacitor wire harness connectors.
3. Remove 2 screws and capacitor from the tub.

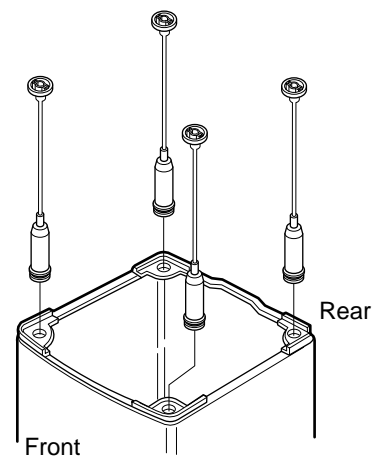


GEA00151

Remove Damper Assembly

Caution: When removing damper assembly, mark each assembly to ensure same location when replacing. Failure to do so can cause excessive vibration and unbalance during spin cycles.

1. Unhook each damper assembly from the top corner of frame.
2. Unhook and remove damper assembly from bottom support brackets of tub.



GEA00136

Self-Diagnostic Functions

Error	Condition	Solution	Fault
Water Level Sensor error: "IE"	Water level sensor fails to send signal for longer than 5 seconds.	Press POWER button. No other buttons work.	Check Wiring Harness Check Pressure Sensor S/W Check PCB
Water Supply error: "7E"	No frequency change for 60 minutes from water supply.	Press POWER button. No other buttons work.	Check Wiring Harness Check Water Valve Check Pressure Sensor S/W Check PCB
Drain Pump error: "E"	Water level does not decrease to reset point within 15 minutes from draining water from washer.	Press POWER button. No other buttons work.	Check Wiring Harness Check Pump Motor Check PCB
Lid Open error: "dE"	Lid is open during wash cycle.	Close lid.	Check Wiring Harness Check Lid S/W Check Unbalance S/W Check PCB
Unbalance S/W error: "UE"	Unbalanced load is sensed three times during a spin operation.	Open lid. Rebalance laundry load and close lid.	Check Wiring Harness Check Unbalance S/W Check PCB
Water Overflow error: "OE"	Water supply does not stop after sensing an overflow condition.	Turn off water supply at wall and unplug power cord.	Check Wiring Harness Check Water Valve Check Pressure Sensor S/W Check PCB

Water Level and Power Test Mode Function

To see inside of washer while conducting this test, remove the front half of the lid assembly. With lid up, pull forward on locking tab at left end of hinge and slide top half of lid to right and remove. Close back half of lid and place a strip magnet over the reed switch on the left side of washer top.

1. Hold the LOAD SIZE button down while pressing the POWER button.
2. Press the WASH CYCLE button. "01" is now displayed in the TIME REMAINING window.
3. The test number will change each time the WASH CYCLE button is pressed (i.e., 01, 02, 03, etc.).
4. The test shown in the TIME REMAINING window is conducted when the START/PAUSE button is pressed.

The chart below shows a description of each test.

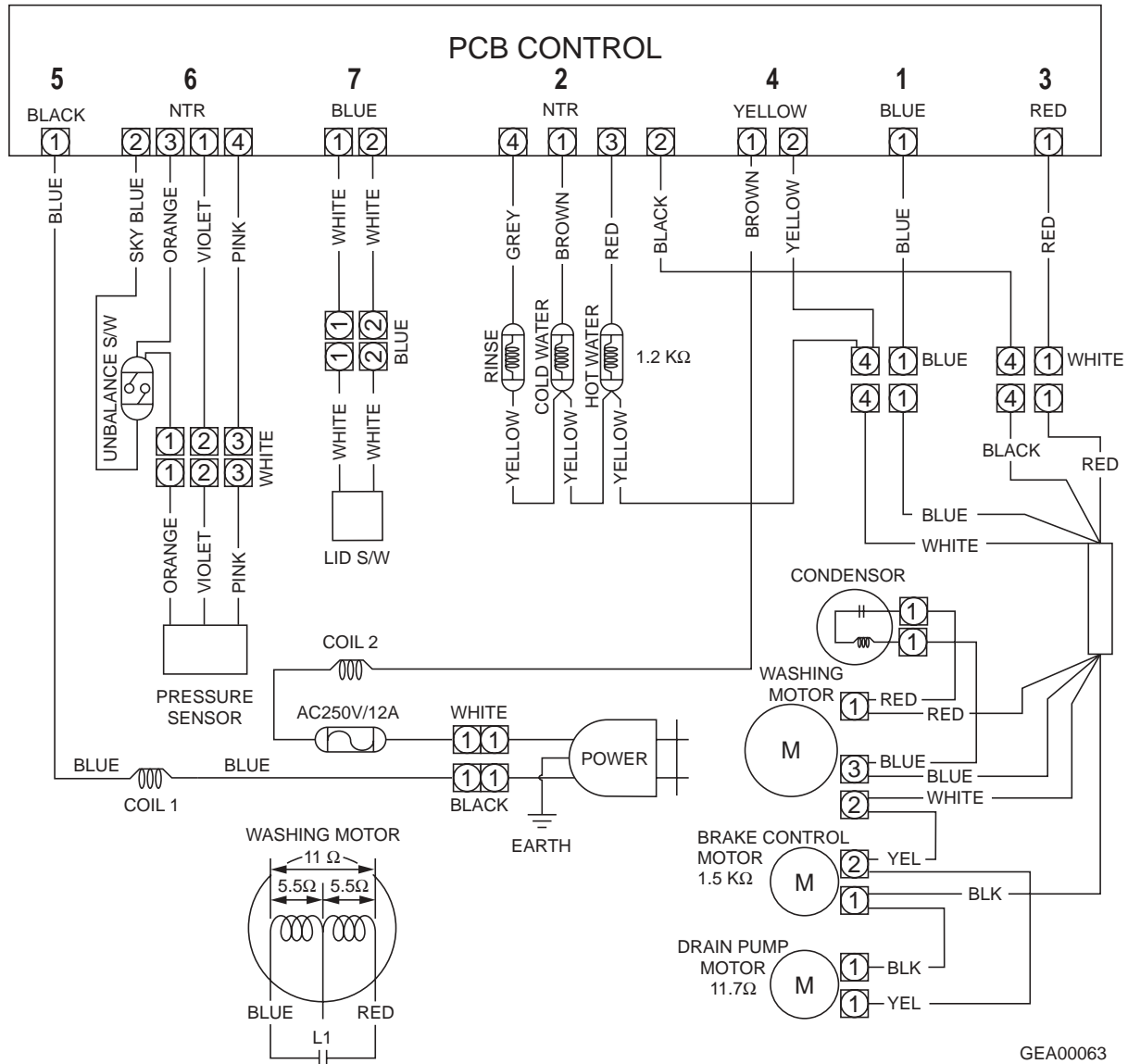
TEST NUMBER*	TEST DESCRIPTION
01	Aging test in driving part. Driving part and display are turned ON/OFF (1 sec. ea.) in the following sequence: pump on, cold water on, hot water on, rinse valve on, activator right, activator left.
02	Repeat spin cycle (7 min., first 30 sec. is pump). Indicates lid open and unbalance at the same time.
03	Select wash cycle after setting water level to HIGH.
04	Activator runs right (5 sec.), left (5 sec.), then repeats.
06	Indicates the input value of a weight sensing pulse, with hex value.
07	Activates cold, hot, rinse (energizes the valves 3 sec. ea.), then repeats.

*Test number "05" is only for manufacturing process.

Schematics and Strip Circuits

WARNING

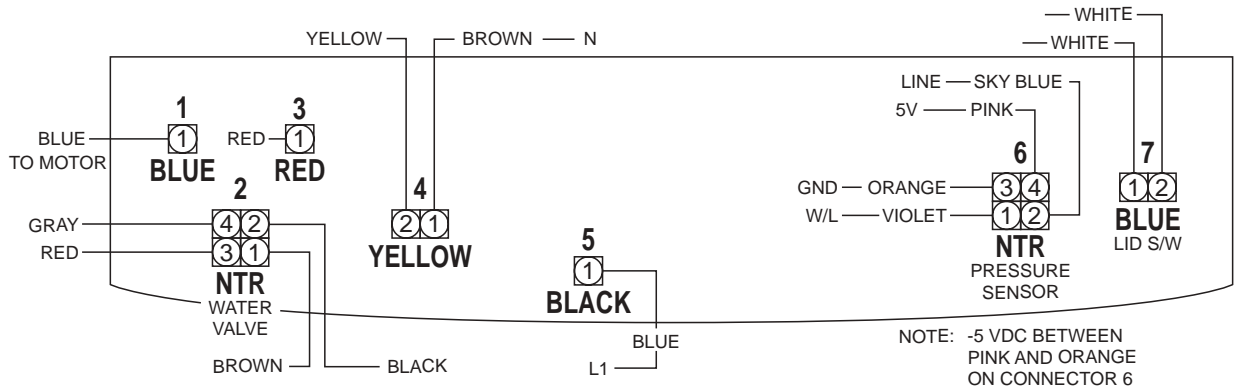
POWER MUST BE DISCONNECTED BEFORE SERVICING THE APPLIANCE





GEA00131

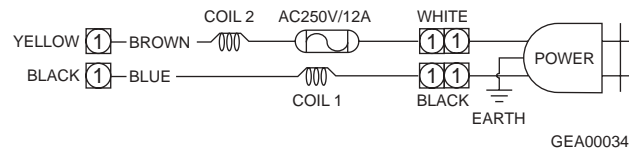
Note: The numbers in the photo of the PCB above correspond to the numbers on the schematic of the PCB Control on the previous page and the connector diagram below.



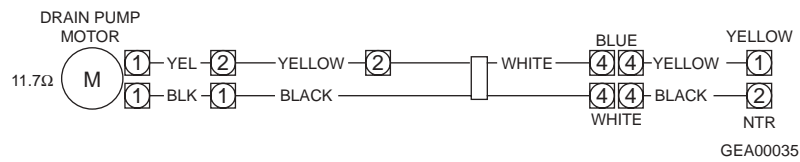
GEA00178

Strip Circuits

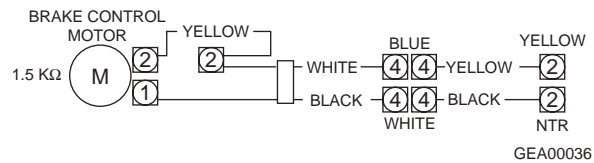
Main Power



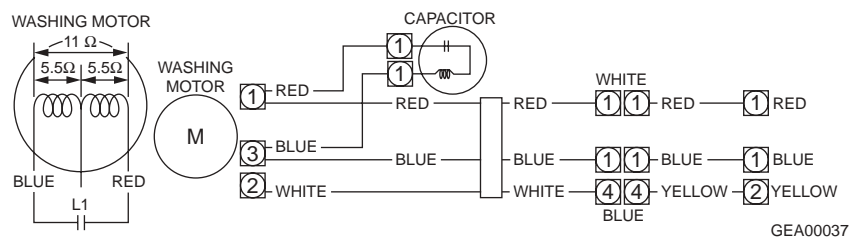
Drain Pump Motor



Brake Control Motor

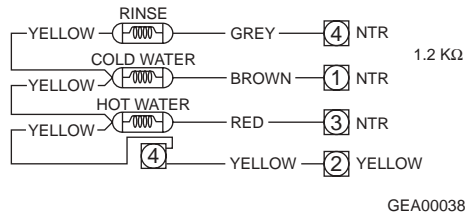


Washing Motor w/ Capacitor

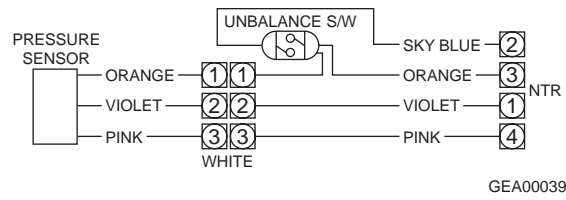


Strip Circuits

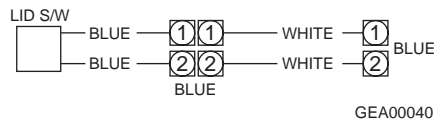
Rinse, Cold Water, and Hot Water Lights



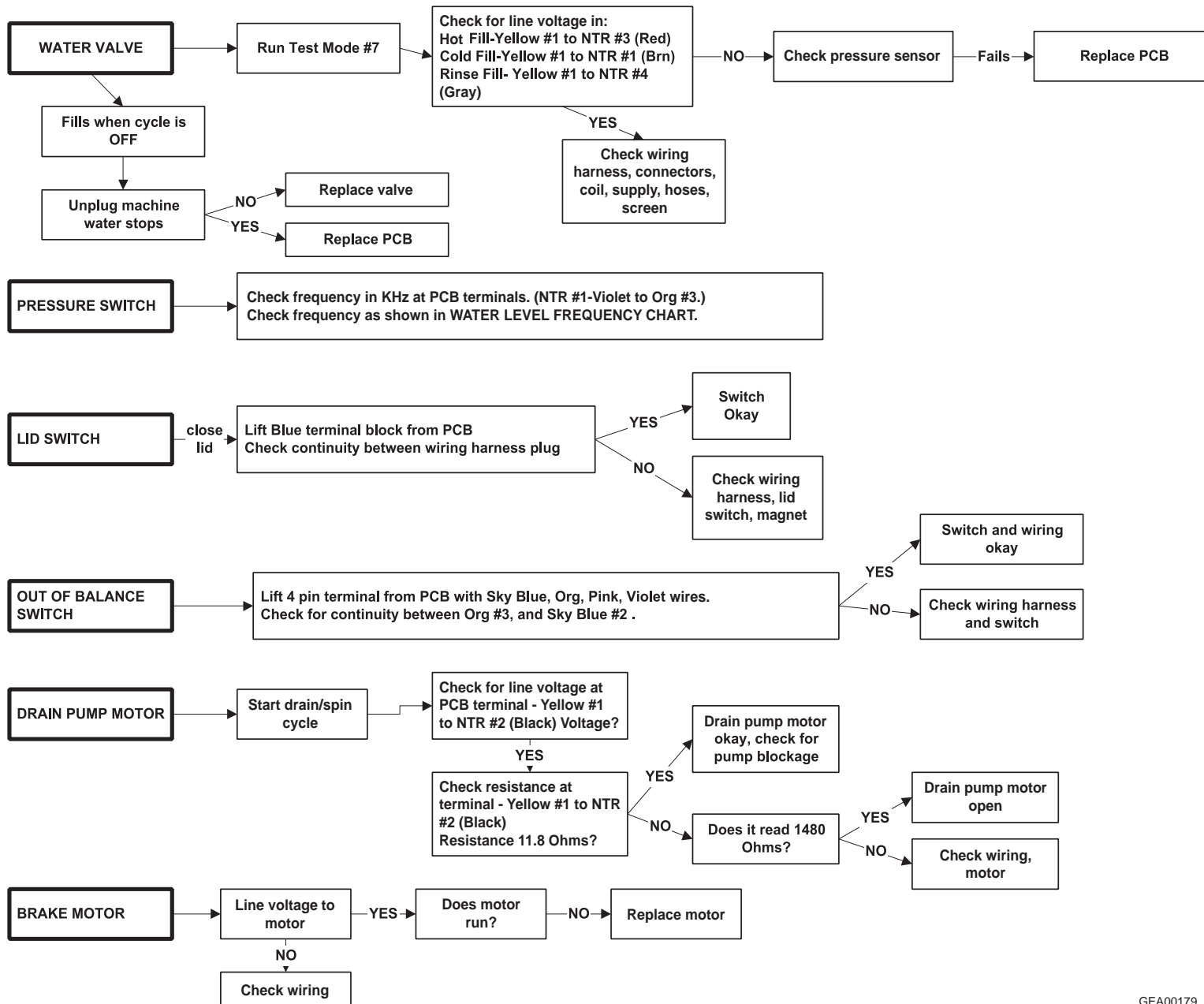
Unbalance Switch w/ Pressure Sensor



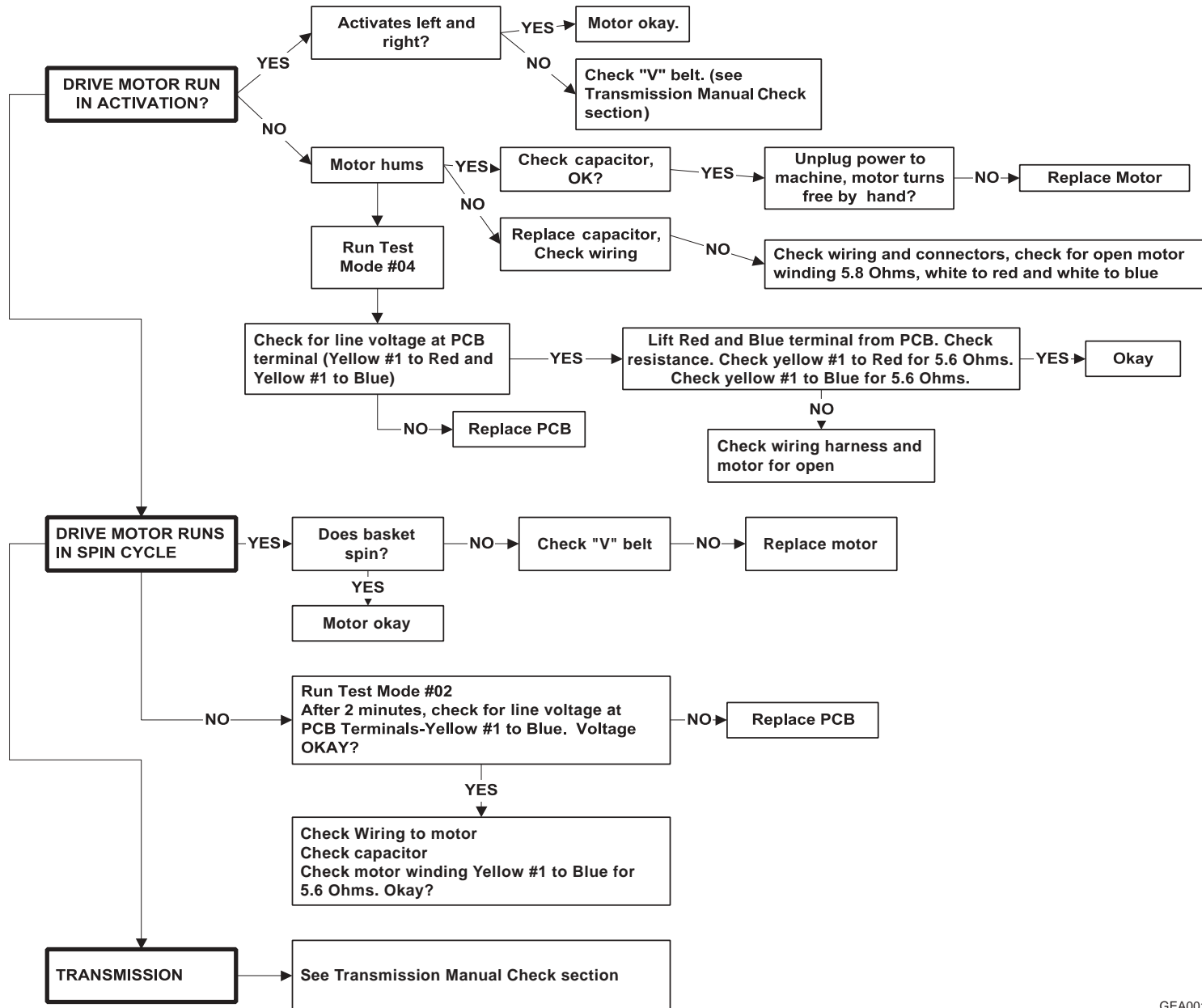
Lid Switch



COMPONENT TEST

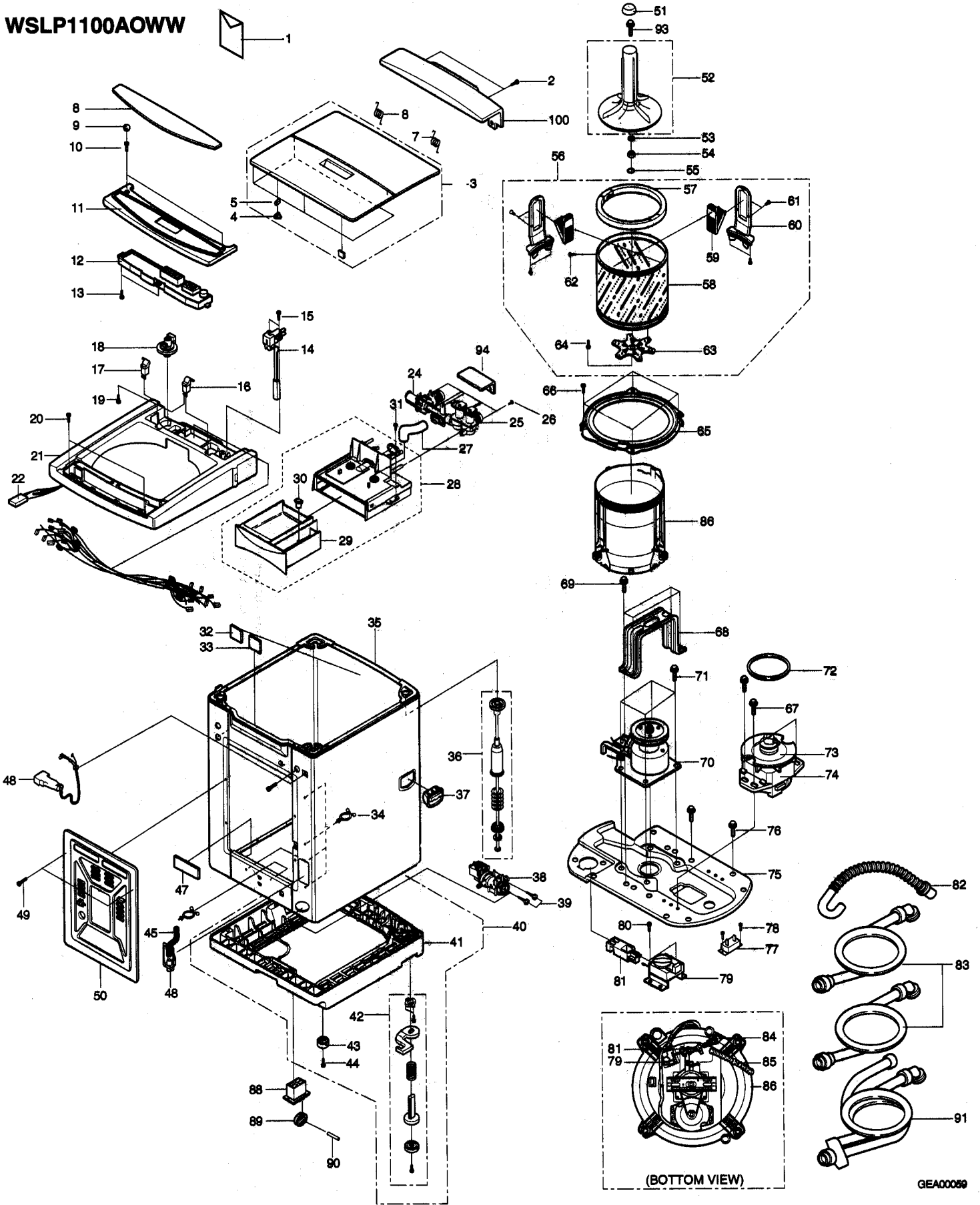


COMPONENT TEST (cont)



Illustrated Parts Breakdown

WSLP1100AOWW



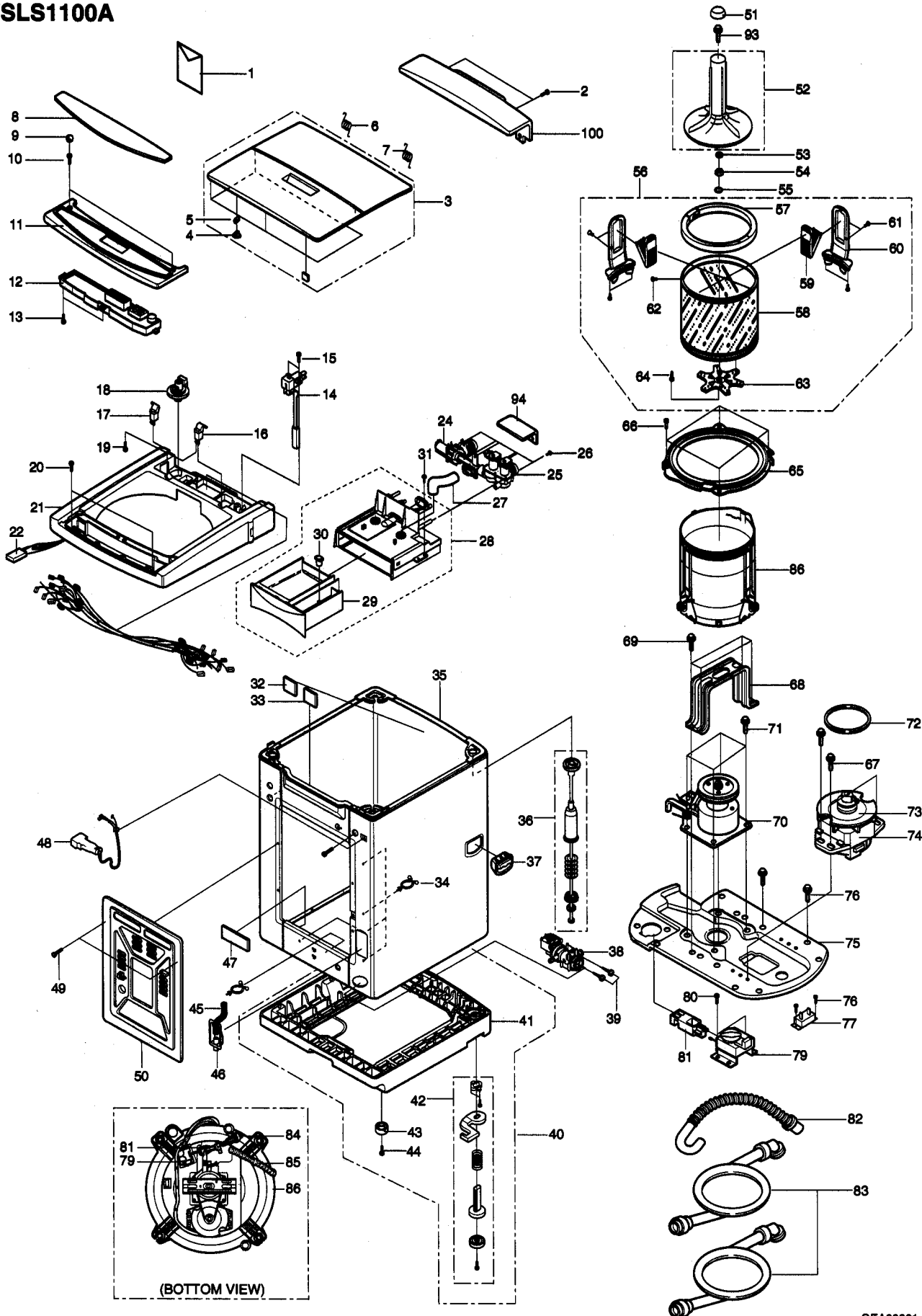
GEA00059

Parts List

Ref. #	Description	Part Number
1	OWNERS MANUAL	49-90031
2	TAPPING SCREW	WH02X10069
3	LID T.C. ASSY	WH44X10046
4	MAGNET CASE	WH01X10075
5	R.S. MAGNET	WH01X10076
6	Q SPRING (R)	WH01X10077
7	Q SPRING (L)	WH01X10078
8	PANEL INLAY	WH42X10196
9	SCREW COVER	WH02X10070
10	TAPPING SCREW	WH02X10071
11	CONTROL PANEL	WH42X10197
12	PCB ASSY	WH12X10101
14	UNBALANCE S/W ASSY	WH12X10102
16	HINGE, DOOR (L);	WH16X10033
17	HINGE, DOOR (R)	WH16X10034
18	PRESSURE SENSOR	WH12X10103
19	TAPPING SCREW	WH02X10072
20	TAPPING SCREW	WH02X10073
21	TOP COVER	WH44X10047
22	REED SWITCH	WH12X10104
24	WATER VALVE (HOT)	WH13X10007
25	WATER VALVE (COLD)	WH13X10008
26	TAPPING SCREW	WH02X10074
27	RINSE HOSE	WH41X10043
28	DETERGENT ASSY	WH43X10015
29	DETERGENT CASE	WH43X10016
30	RINSE CAP	WH43X10017
36	DAMPER ASSY (FRONT)	WH16X10035
36	DAMPER ASSY (REAR)	WH16X10036
37	HANDLE	WH01X10079
38	PUMP DRAIN ASSY	WH23X10011
41	BASE	WH46X10049
42	LEG ASSY	WH46X10050
43	RUBBER LEG	WH01X10080
45	PUMP HOSE	WH41X10045
46	PUMP HOSE JOINT	WH41X10044

Ref. #	Description	Part Number
48	POWER CORD ASSY	WH19X10015
49	TAPPING SCREW	WH02X10075
50	BACK COVER	WH44X10048
51	ACTIVATOR CAP	WH43X10018
52	ACTIVATOR ASSY	WH43X10019
53	ACTIVATOR WASHER	WH02X10076
54	SPIN NUT	WH02X10077
55	WAVE WASHER	WH02X10078
56	SPIN BASKET ASSY	WH45X10033
57	BALANCER ASSY	WH45X10034
58	SPIN S. BASKET ASSY	WH45X10035
59	FILTER ASSY	WH43X10020
60	W.F(S) GUIDE	WH43X10021
61	TAPPING SCREW	WH02X10079
63	SHAFT FLANGE	WH40X10003
64	TAPPING SCREW	WH02X10080
65	TUB COVER	WH44X10049
66	TAPPING SCREW	WH02X10081
67	SCREW ASSY	WH02X10082
68	SADDLE	WH17X10006
69	MOTOR SCREW	WH02X10083
70	TRANSMISSION	WH38X10007
71	SCREW ASSY	WH02X10084
72	V-BELT	WH01X10081
73	PULLEY ASSY	WH07X10003
74	WASHING MOTOR	WH20X10011
75	MOTOR DIE	WH17X10007
77	M. CONDENSER	WH12X10105
79	BRAKE-CONTROL MOTOR	WH05X10004
81	DRAIN LINK	WH01X10082
82	HOSE (O) ASSY	WH41X10046
83	WATER HOSE	WH01X10083
84	PUMP HOSE	WH01X10084
85	DRAIN HOSE	WH01X10085
86	OUTER TUB	WH45X10036
88	ROLLER BRACKET	WH09X10003
89	WHEEL ROLLER	WH09X10001
90	WHEEL SHAFT	WH09X10002
91	WATER HOSE ASSY	WH41X10047
93	ACTIVATOR SCREW	NO NUMBER
94	WATER VALVE COVER	NO NUMBER
100	REAR TOP COVER	WH44X10045

WLS1100A



GEA00061

Parts List

Ref. #	Description	Part Number
1	OWNERS MANUAL	49-90031
2	TAPPING SCREW	WH02X10069
3	LID T.C. ASSY	WH44X10046
4	MAGNET CASE	WH01X10075
5	R.S. MAGNET	WH01X10076
6	Q SPRING (R)	WH01X10077
7	Q SPRING (L)	WH01X10078
8	PANEL INLAY	WH42X10196
9	SCREW COVER	WH02X10070
10	TAPPING SCREW	WH02X10071
11	CONTROL PANEL	WH42X10197
12	PCB ASSY	WH12X10101
14	UNBALANCE S/W ASSY	WH12X10102
16	HINGE, DOOR (L);	WH16X10033
17	HINGE, DOOR (R)	WH16X10034
18	PRESSURE SENSOR	WH12X10103
19	TAPPING SCREW	WH02X10072
20	TAPPING SCREW	WH02X10073
21	TOP COVER	WH44X10047
22	REED SWITCH	WH12X10104
24	WATER VALVE (HOT)	WH13X10007
25	WATER VALVE (COLD)	WH13X10008
26	TAPPING SCREW	WH02X10074
27	RINSE HOSE	WH41X10043
28	DETERGENT ASSY	WH43X10015
29	DETERGENT CASE	WH43X10016
30	RINSE CAP	WH43X10017
36	DAMPER ASSY (FRONT)	WH16X10035
36	DAMPER ASSY (REAR)	WH16X10036
37	HANDLE	WH01X10079
38	PUMP DRAIN ASSY	WH23X10011
41	BASE	WH46X10049
42	LEG ASSY	WH46X10050
43	RUBBER LEG	WH01X10080
45	PUMP HOSE	WH41X10045
46	PUMP HOSE JOINT	WH41X10044

Ref. #	Description	Part Number
48	POWER CORD ASSY	WH19X10015
49	TAPPING SCREW	WH02X10075
50	BACK COVER	WH44X10048
51	ACTIVATOR CAP	WH43X10018
52	ACTIVATOR ASSY	WH43X10019
53	ACTIVATOR WASHER	WH02X10076
54	SPIN NUT	WH02X10077
55	WAVE WASHER	WH02X10078
56	SPIN BASKET ASSY	WH45X10033
57	BALANCER ASSY	WH45X10034
58	SPIN S. BASKET ASSY	WH45X10035
59	FILTER ASSY	WH43X10020
60	W.F(S) GUIDE	WH43X10021
61	TAPPING SCREW	WH02X10079
63	SHAFT FLANGE	WH40X10003
64	TAPPING SCREW	WH02X10080
65	TUB COVER	WH44X10049
66	TAPPING SCREW	WH02X10081
67	SCREW ASSY	WH02X10082
68	SADDLE	WH17X10006
69	MOTOR SCREW	WH02X10083
70	TRANSMISSION	WH38X10007
71	SCREW ASSY	WH02X10084
72	V-BELT	WH01X10081
73	PULLEY ASSY	WH07X10003
74	WASHING MOTOR	WH20X10011
75	MOTOR DIE	WH17X10007
77	M. CONDENSER	WH12X10105
79	BRAKE-CONTROL MOTOR	WH05X10004
81	DRAIN LINK	WH01X10082
82	HOSE (O) ASSY	WH41X10046
83	WATER HOSE	WH01X10083
84	PUMP HOSE	WH01X10084
85	DRAIN HOSE	WH01X10085
86	OUTER TUB	WH45X10036
91	WATER HOSE ASSY	WH41X10047
93	ACTIVATOR SCREW	NO NUMBER
94	WATER VALVE COVER	NO NUMBER
100	REAR TOP COVER	WH44X10045

Special Tools and Accessories

Special Tools

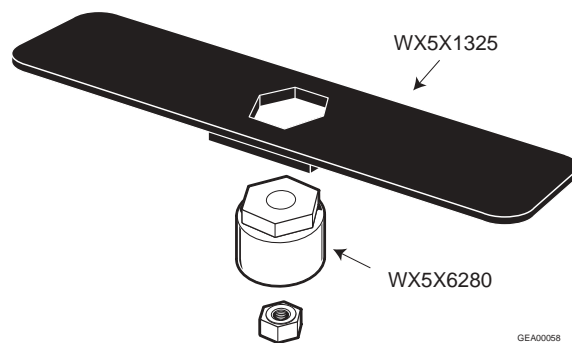
The removal of the agitator assembly and the basket assembly requires the use of special tools or tools that you might not have on hand.

20-inch Ratchet Extension

The removal of the agitator assembly requires the use of a 20-inch long ratchet extension to reach the agitator bolt.

Basket Removal Tool

To remove the spin nut that secures the basket assembly, you will need the tool shown at the right. This special 36-mm socket and flat wrench fits over the spin nut. Hitting the wrench with a rubber mallet to turn it clockwise will loosen the spin nut so the nut can be removed by hand.



Consumer Services

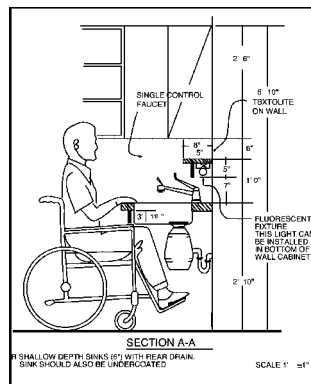
GE Answer Center® **800.626.2000**

Whatever your question about any GE major appliance, GE Answer Center® information service is available to help. Your call—and your question—will be answered promptly and courteously. And you can call any time. GE Answer Center® service is open 24 hours a day, 7 days a week.

In-Home Repair Service **800.444.1845**

A GE Consumer Service professional will provide expert repair service, scheduled at a time that's convenient for you. Many GE Consumer Service company-operated locations offer you service today or tomorrow, or at your convenience (7:00 a.m. to 7:00 p.m. weekdays, 9:00 a.m. to 2:00 p.m. Saturdays). Our factory-trained technicians know your appliance inside and out—so most repairs can be handled in just one visit.

For Customers with Special Needs **800.626.2000**



GEA00001

GE offers, free of charge, a brochure to assist in planning a barrier-free kitchen for persons with limited mobility. Consumers with impaired hearing or speech who have access to a TDD or a conventional teletypewriter may call 800.TDD.GEAC (800.833.4322) to request information or service.

Service Contracts **800.626.2224**

You can have the secure feeling that GE Consumer Service will still be there after your warranty expires. Purchase a GE contract while your warranty is still in effect and you'll receive a substantial discount. With a multiple-year contract, you're assured of future service at today's prices.

Parts and Accessories **800.626.2002**

Individuals qualified to service their own appliances can have parts or accessories sent directly to their home. The GE parts system provides access to over 47,000 parts...and all GE Genuine Renewal Parts are fully warranted. VISA, MasterCard and Discover cards are accepted.

User maintenance instructions cover procedures intended to be performed by any user. Other servicing generally should be referred to qualified service personnel. Caution must be exercised, since improper servicing may cause unsafe operation.

Warranty Information

GE WASHER WARRANTY

Sales slip or cancelled check is required as proof of original purchase date to obtain service under warranty.

WHAT IS COVERED

FULL ONE-YEAR WARRANTY

For one year from date of original purchase, we will provide, **free of charge**, parts and service labor in the customer's home to repair or replace **any part** that fails because of a manufacturing defect.

FIVE-YEAR WARRANTY

For an additional four years from date of original purchase, we will provide **transmission and electronics parts** if they should fail due to a defect in materials or workmanship.

This warranty is extended to the original purchaser and any succeeding owner for products purchased for ordinary home use in the 48 mainland states, Hawaii, and Washington, D.C. In Alaska the warranty is the same except that it is LIMITED because you must pay to ship the product to the service shop or for the service technician's travel costs to your home. All warranty service will be provided by our Factory Service Centers or by our authorized Customer Care® servicers during normal working hours.

WHAT IS NOT COVERED

- Service trips to the customer's home to teach you how to use the product.
- Replacement of house fuses or resetting of circuit breakers.
- Incidental or consequential damage to personal property caused by possible defects with this appliance.
- Damage to the product caused by accident, fire, floods, or acts of God.
- Failure of the product if it is used for other than its intended purpose or used commercially.
- Improper installation.

Some states do not allow the exclusion or limitation of incidental or consequential damages, so the above limitation or exclusion may not apply to you. This warranty gives you specific legal rights, and you may also have other rights which vary from state to state.

To know what your legal rights are in your state, consult your local or state consumer affairs office or your state's Attorney General.

Warrantor: General Electric Company. If further help is needed concerning this warranty, write to: Manager—Consumer Affairs, GE Appliances, Louisville, KY 40225

