



*GE Consumer Service Training*

---

# **Technician Manual**

## **Unitized and Compact/Portable 24” Spacemaker™ Washer Spacemaker™ Laundry**

WSM2420S Electric Unitized

WSM2480 Gas Unitized

WWP2000S Compact Washer

WWP2050S Portable/Convertible Washer

# TABLE OF CONTENTS

## SECTION 1.

### COMPACT AND PORTABLE CONVERTIBLE WASHER

- COMPACT DIRECT DRIVE WASHERS/ SHIPPING STRAPS ----- PG 1.
- CABINET DESIGN AND COMPONENT ACCESS ----- PG 2.
- FRONT PANEL REMOVAL/COMPONENTS/BOTTOM ACCESS ----- PG 3.
- WASHER TESTING ----- PG 4.
  - WATER INLET VALVE
  - WATER TEMPERATURE SWITCH
  - CENTRIFUGAL SWITCH
- WASHER TESTING ----- PG 5.
  - START CAPACITOR
  - DRIVE MOTOR
- SUSPENSION SYSTEM ----- PG 6.

## SECTION 2

### UNITIZED WASHER AND DRYER

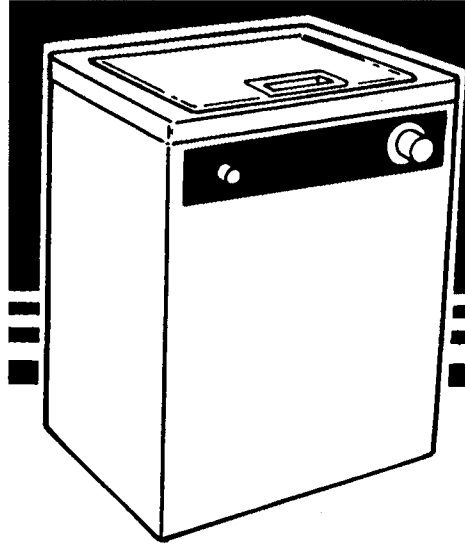
- BASIC COMPONENTS ----- PG 7.
- WASHER MECH. ACCESS/ WIRING DIAGRAM LOCATION ----- PG 8.
- WASHER MECH. ACCESS (CON'T) ----- PG 9.
- REMOVAL OF WASHER MECH FROM CABINET ----- PG 10.
- CONTROL PANEL ACCESS ----- PG 11.
- SERVICE DRYER PANELS AND WASHER TOP ----- PG 12.
- LINT SCREEN AND LINT REMOVAL ----- PG 13.
- THERMOSTAT LOCATION AND OPERATION ----- PG 14.
- THERMOSTAT TRIP/RESET OPERATION ----- PG 15.
- THERMOSTAT TESTING ----- PG 16.
- THERMOSTAT TESTING (CON'T) ----- PG 17.
- TESTING THERMOSTAT CUT OUT TEMPERATURE ----- PG 18.
- DRUM SERVICE PROCEDURE ----- PG 19.
- GLOW BAR ASSEMBLY SERVICE ----- PG 20.
- WASHER TROUBLE DIAGNOSIS CHART ----- PG 21.
- WASHER TROUBLE DIAGNOSIS CHART (CON'T) ----- PG 22.

## SECTION 3

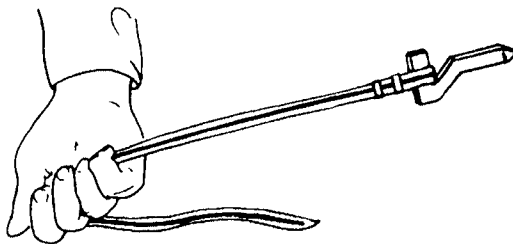
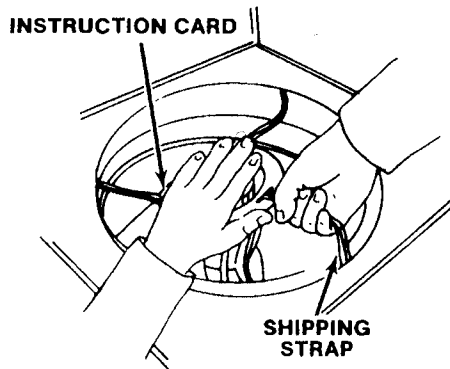
### PARTS PAGES AND EXPLODED DIAGRAMS

## COMPACT DIRECT DRIVE WASHERS

The compact and portable/convertible direct drive washer has the same internal components as the unitized washer. Service access is different and will be detailed in this section. The washer features a gentle wash system which incorporates a "step down" agitation for improved washing conditions. In high the agitator moves at 180 strokes per minute, while in low it runs at 120 strokes per minute. High speed spin is 640 RPM, and low speed spin is 423 RPM.



### REMOVING SHIPPING STRAPS



Remove the tape and open the washer lid. There is a yellow card over the agitator containing instructions and three yellow shipping straps. Read the directions on the yellow card.

Put one hand on top of the agitator; with the other hand sharply jerk one of the yellow shipping straps until it and the key attached to it are completely out of the washer. Repeat with the other two straps.

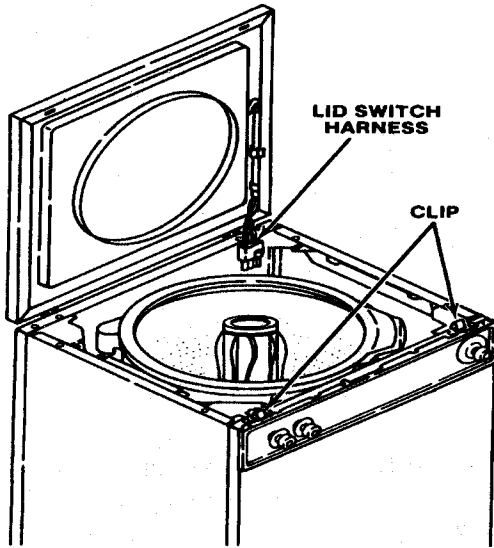
**IMPORTANT:** Keep hands clear of the basket when removing shipping straps. The basket moves up as straps are removed.

This releases the suspension system for normal washer operation.

## CABINET DESIGN AND COMPONENT ACCESS

The washer components inside the cabinet can be accessed by lifting or removing the top, either side panel, or the front panel.

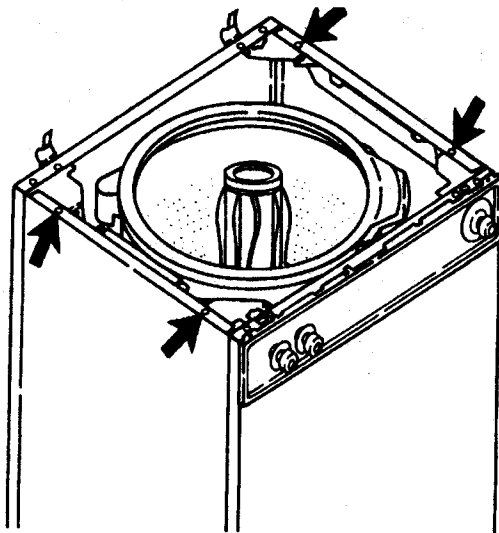
### TOP REMOVAL



Loosen the top at each front corner by inserting a putty knife between the top and front panel to release the locking clip, and lifting up. With both sides released from the clips, the top can be lifted and supported.

To completely remove the top, remove the lid switch wiring harness plug from the disconnect plug in the cabinet brace at the right rear and lift the top assembly off the rear hinges.

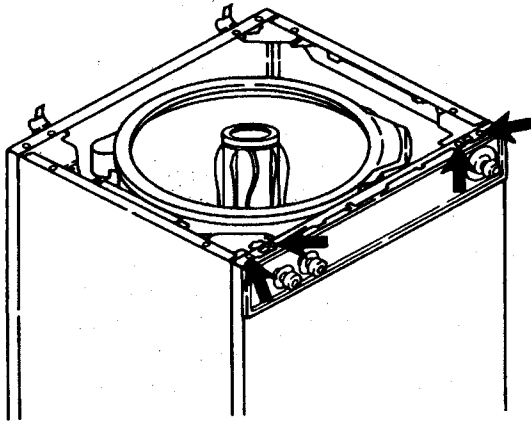
### SIDE PANEL REMOVAL



Either side panel is removed by removing two screws in the top flange of the panel. The panel can be lifted up and off the washer. The bottom of each panel has slots that engage tabs on the base assembly to hold it in place.

Access to service the pump and motor is gained by removing the left panel.

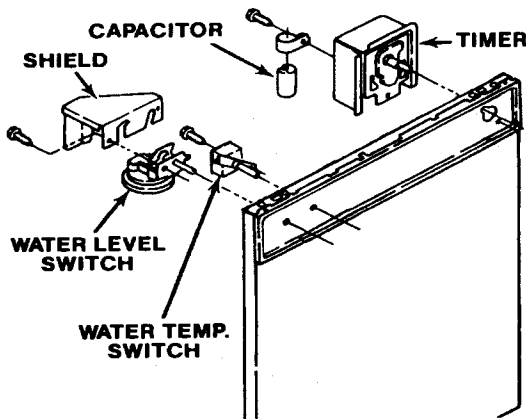
## FRONT PANEL REMOVAL



The front panel is removed by removing four screws in the top flange of the panel, pulling the top forward until the panel is at a 30° angle, and sliding the bottom to the right about one half of an inch. The panel can then be lifted off of the washer. The bottom of the panel has slots that engage a horizontal catch at each corner of the front of the base assembly.

Depending on how far the panel must be moved, you may have to disconnect the timer wiring harness, or the wiring for the water temperature switch hose.

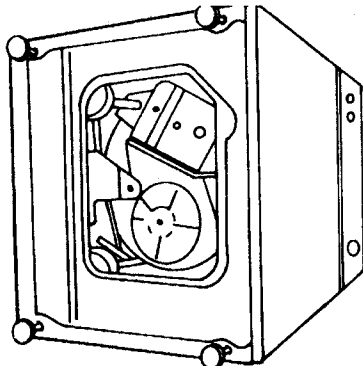
## FRONT PANEL ELECTRICAL COMPONENTS



The water level switch and water temperature switch, along with a control shield, are mounted on the rear top of the front panel. The motor start capacitor is mounted on the timer. The timer mounts with two screws running through the front of the panel at the upper right. The timer has a quick disconnect wiring harness block. A terminal identification chart is printed on the timer. This timer has a wrap around shield. This shield is part of the timer and is not removable.

The front panel can be tilted forward to service these components and does not have to be completely removed.

## BOTTOM ACCESS



There is an access hole in the base. Lay the washer on its back or its right cabinet side. If the washer is laid on its back, care should be taken to protect the water inlet valve ports and hose storage bracket on portable models.

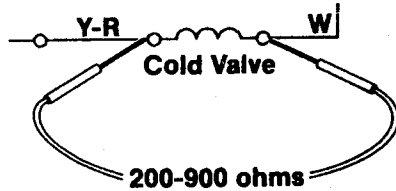
The gearcase can be removed through the bottom access hole.

# WASHER TESTING

## WATER INLET VALVE/WATER TEMP. SWITCH/CENTRIFUGAL SWITCH

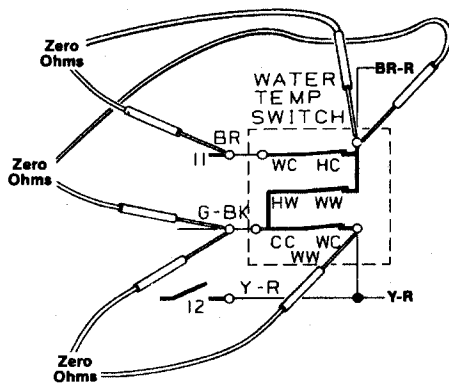
### WATER INLET VALVE

- To test the water inlet valve, remove the wiring harness connectors from each solenoid.
- Set the meter on the R X 100 scale and attach the meter probes to the terminals on each solenoid. The meter should show between 200 and 900 ohms resistance.



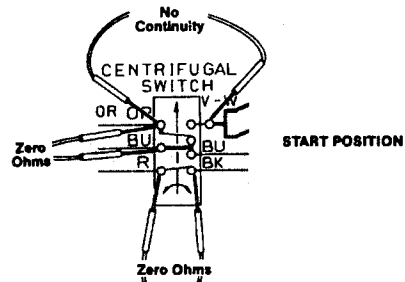
### WATER TEMPERATURE SWITCH

- To test the water temperature switch, set the water temperature switch to warm wash/cold rinse.
- Remove the brown-red wire and the yellow-red wire from the switch.
- Test between the brown-red terminal and the brown terminal for continuity.

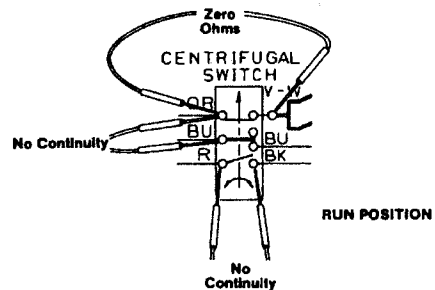


### CENTRIFUGAL SWITCH

- To test the centrifugal switch, remove the pump and disconnect the motor harness block from the centrifugal switch.
- Remove the switch from the motor, and remove the internal motor wires from the centrifugal switch.
- Set the meter on the R X 1 scale and test the switch in the "start" position by pushing up on the switch actuator. Continuity should be present between the red and black terminals and between the orange and blue terminals. No continuity should be present between the orange and violet-white.



- Test the switch in the "run" position by releasing the actuator. Between the orange and violet-white terminals, continuity should be present. Between the orange and blue terminals, no continuity should be present. Between the red and black terminals, no continuity should be present.

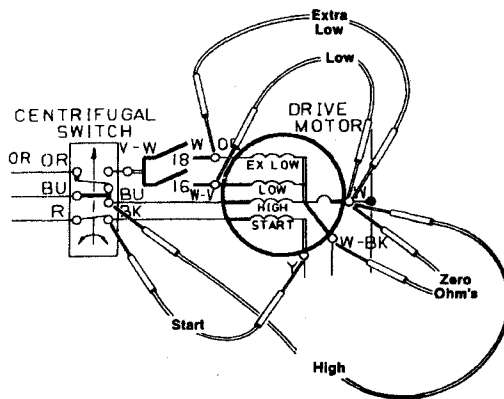


# WASHER TESTING

## START CAPACITOR/ DRIVE MOTOR

### DRIVE MOTOR

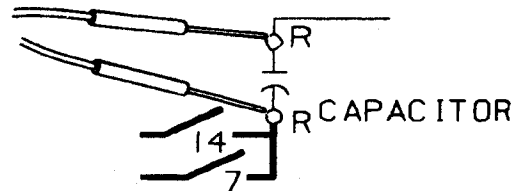
- To test the drive motor, first remove the motor harness from the centrifugal switch. Then, set the meter on R X 1 scale and check the start winding for continuity by testing between the black and yellow wires. A resistance reading between four and seven ohms should be present.



- check the high speed windings by testing between the blue and white wires. A resistance reading between 3/4 ohm and two ohms should be present.
- Check the low-speed winding between the white-violet and white wires. A resistance reading between 1 1/2 and 3 ohms should be present.
- Check the extra low speed winding by testing between the white-orange and the white wire. A resistance reading between 1 1/2 ohms and 3 ohms should be present.
- Check between the white and white-black wires. There should be zero ohms resistance.

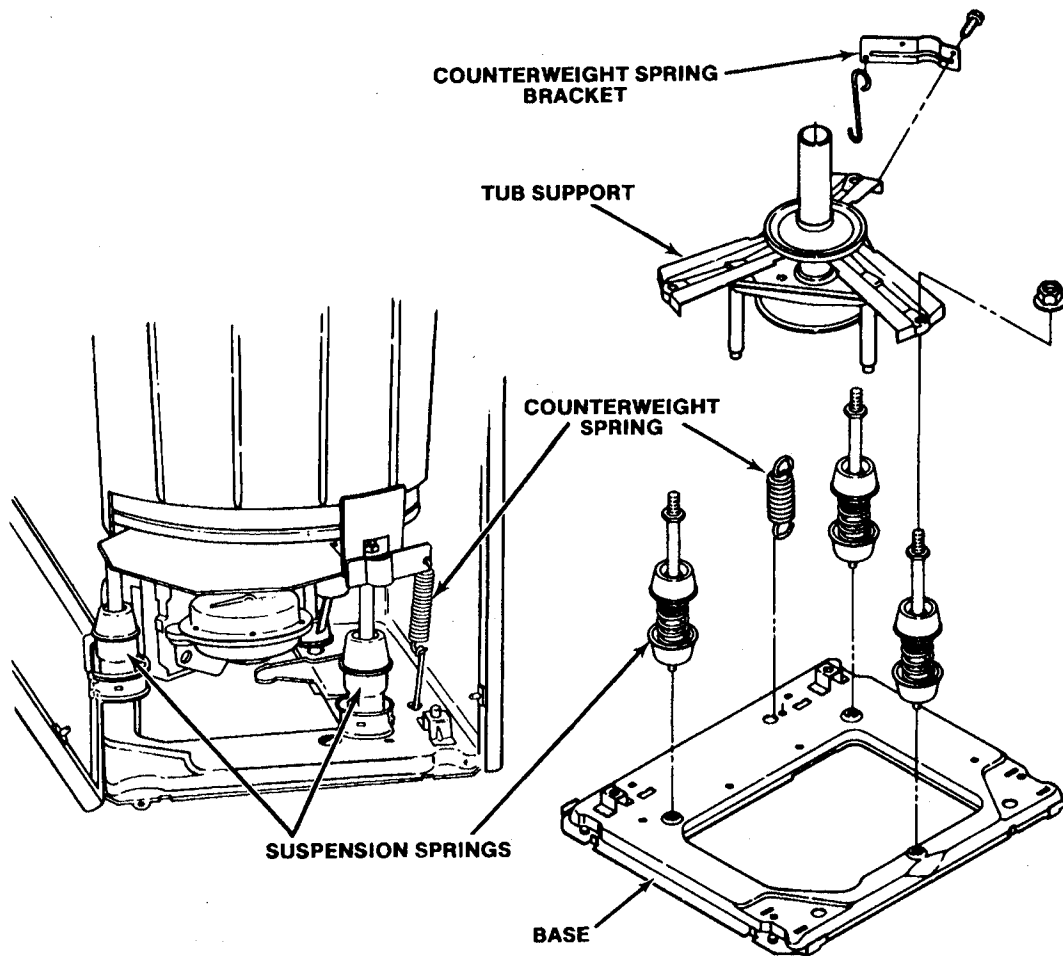
### START CAPACITOR

- To test start capacitor, remove the wires from the capacitor leads.
- Discharge the capacitor using an insulated screwdriver.
- With the meter on the R X 100 scale, place the meter leads on the capacitor leads.



- The meter needle should deflect toward "0" and then reverse toward infinite resistance if the capacitor is good.
- If the meter needle goes to "0" and stays or fails to return to infinity, the capacitor is shorted.
- If there is no needle deflection, the capacitor is "open"

## SUSPENSION SYSTEM

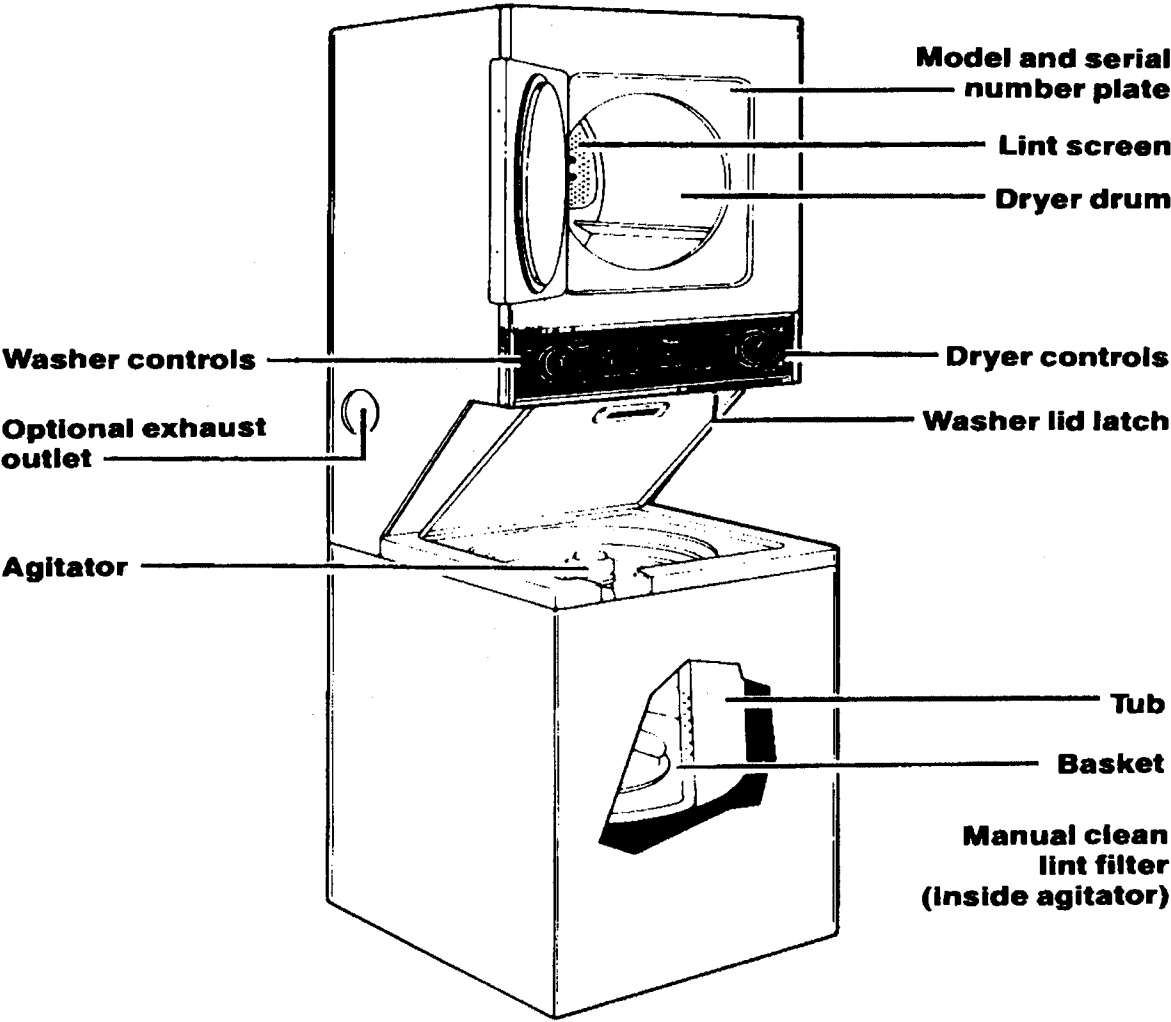


The suspension system consist of a base and tub support that are connected by three suspension spring assemblies. A counterweight spring is mounted opposite the motor location to compensate for the motor weight. Tub support has the gearcase, motor, and pump mounted to it the same way as other direct drive washers.

Each suspension spring assembly screws into the base at the bottom and is secured at the top to the tub support with a nut. To remove a suspension spring assembly, loosen the nut at the top, unthread the bottom using large pliers, slide the bottom out of the base, finish removing the nut at the top, and remove the assembly from the tub support. Reverse this procedure to install the suspension spring assembly.



**BASIC COMPONENTS OF THE UNITIZED LAUNDRY**

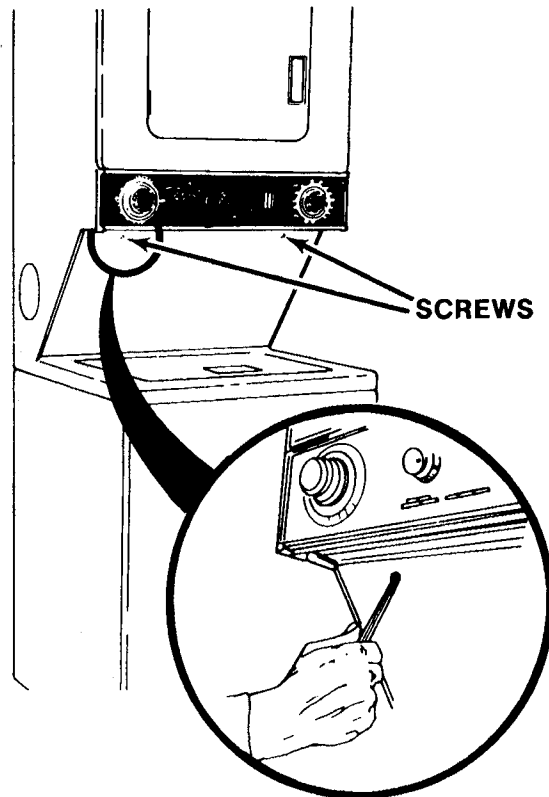


## WSM2420/WSM2480 LAUNDRY SYSTEM

Basic service on the internal portion of the unitized washer is the same as the Portable/Convertible washer, and the Stationary Compact washer.

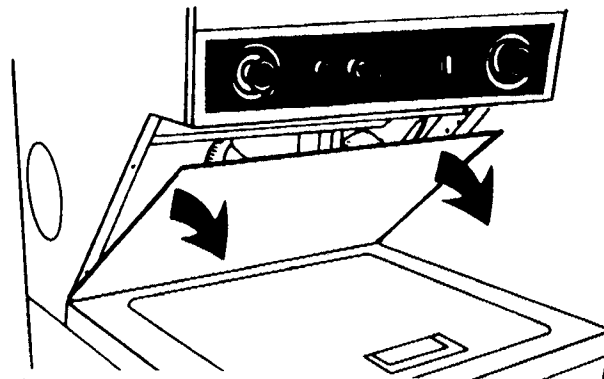
### WASHER MECHANISM ACCESS

Remove the two screws securing the transition panel.



Remove the transition panel by tilting it down and pulling it straight out.

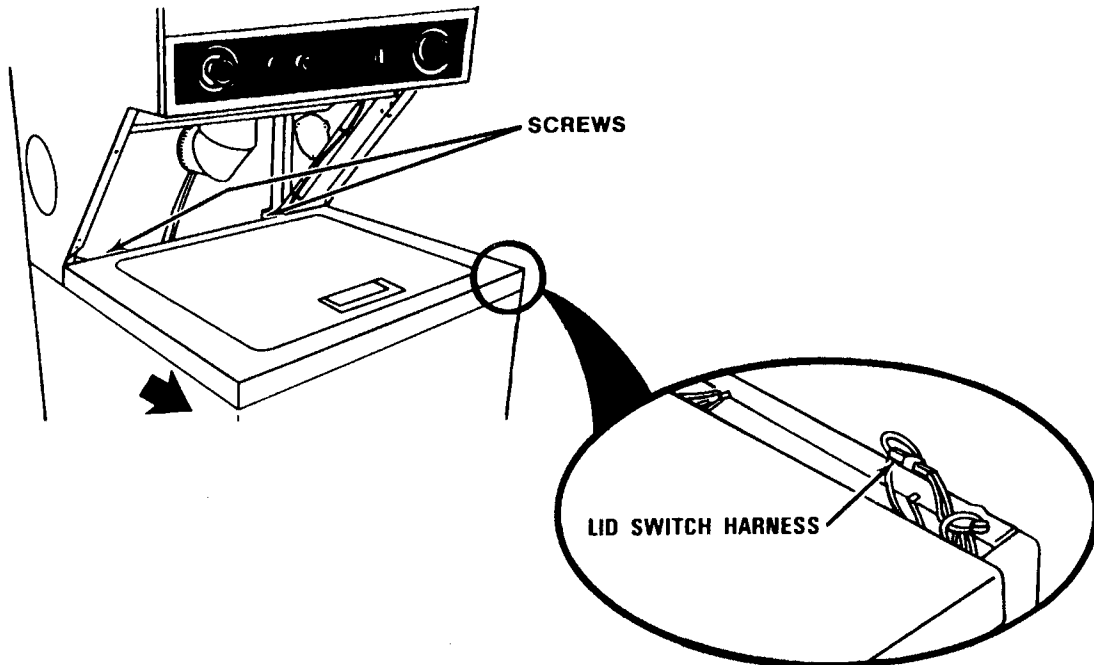
*NOTE: The wiring diagram is located on the back of the transition panel.*



## WASHER MECHANISM ACCESS CONTINUED

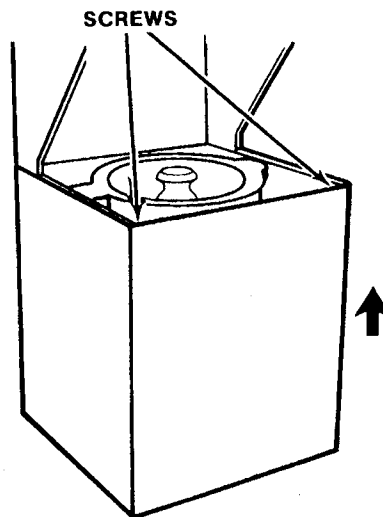
1. Remove the two screws located behind the washer top.
2. Pull washer top forward to disengage top lock.
3. Disconnect washer lid switch harness and lift top off.

**NOTE:** The washer lid will tend to spring open when handling the top.

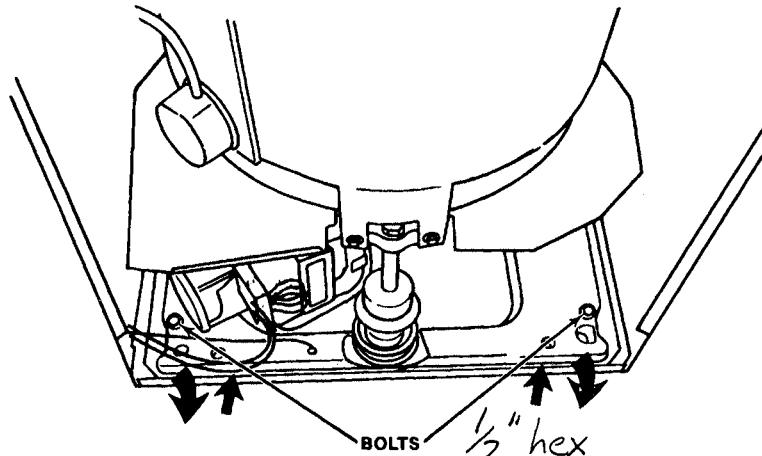


Remove the two screws from inside the top of the washer front panel.

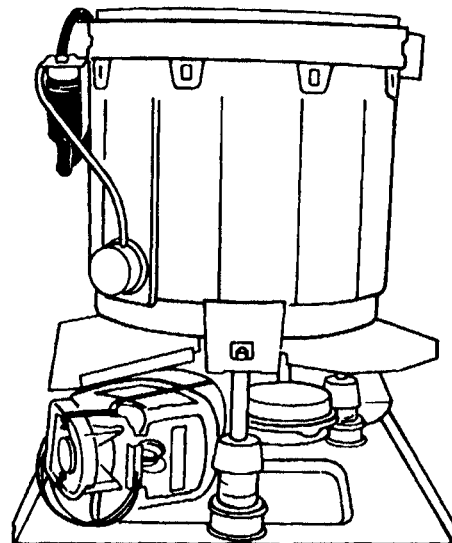
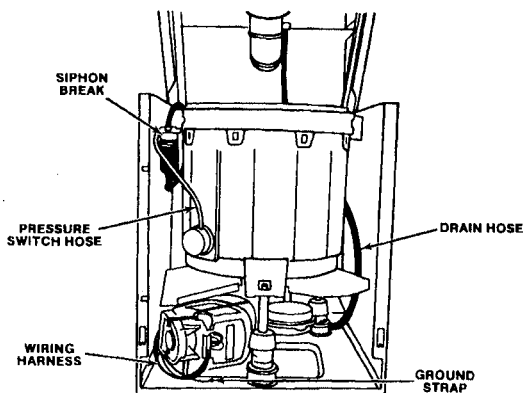
Lift up on washer front panel to release catches near the bottom of the panel, then remove panel.



## REMOVAL OF WASHER MECHANISM

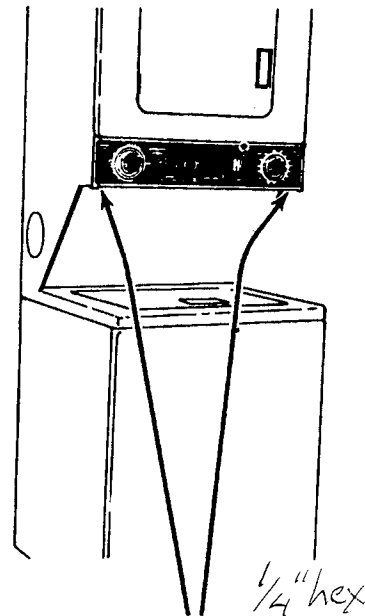
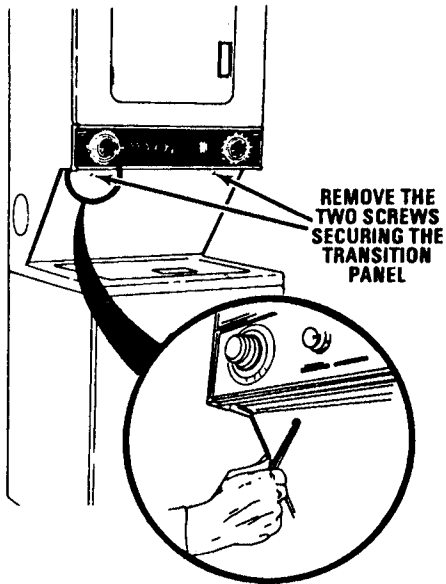


1. To remove the washer mechanism from the cabinet, the two bolts securing the washer to the cabinet must be removed.
  2. Then lift up on the front of the washer base and pull it forward 6". ~~remove the screw securing the siphon break to the cabinet.~~
  3. Disconnect the drain hose from the drain connector.
  4. Disconnect the pressure switch hose.
  5. Release the wiring harness and ground strap.
- The washer can now be pulled completely out of the cabinet.

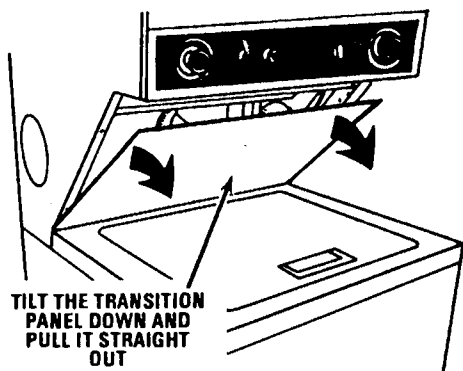


## UNITIZED LAUNDRY SERVICE ACCESS

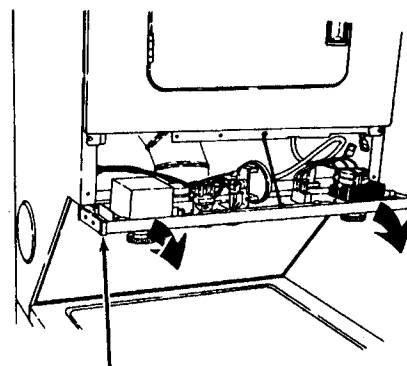
Utility access for water supply, drain, and dryer exhaust. (Use when installation restricts access to rear of product.)



UNSCREW BUT DO NOT REMOVE THE TWO SCREWS LOCATED ON THE BOTTOM EDGE OF THE CONTROL PANEL-THIS RELEASES THE LATCHING MECHANISM.



NOTE: The wiring diagram is located on the back of the transition panel.

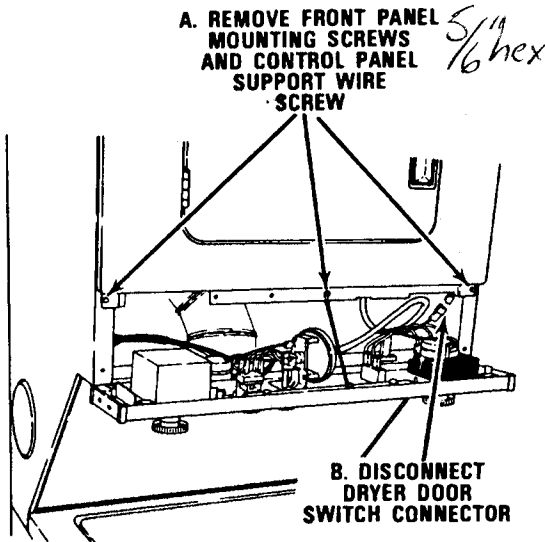


WITH THE CONTROL PANEL LATCHES RELEASED, ROTATE THE TOP OF THE CONTROL PANEL DOWN AS SHOWN

# UNITIZED LAUNDRY SERVICE ACCESS

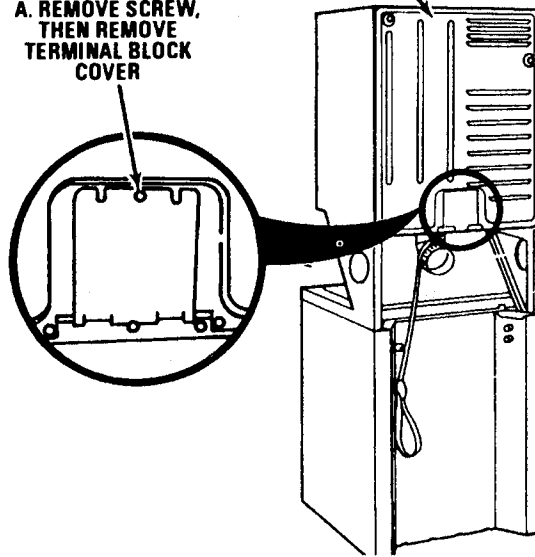
## dryer panels and washer top

OPEN CONTROL PANEL



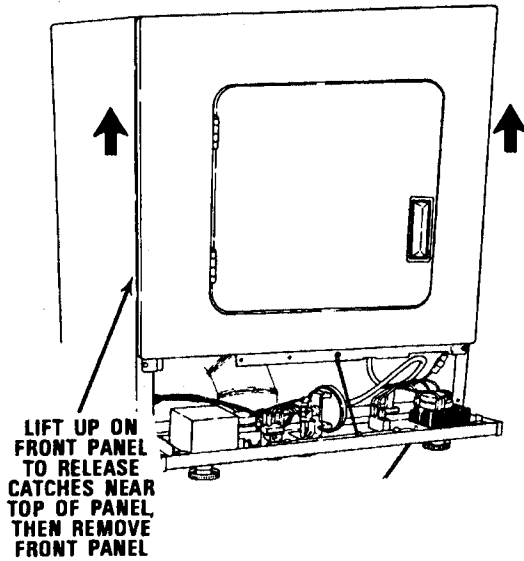
B. REMOVE SCREWS SECURING BACK PANEL TO DRYER, THEN REMOVE BACK PANEL

A. REMOVE SCREW, THEN REMOVE TERMINAL BLOCK COVER

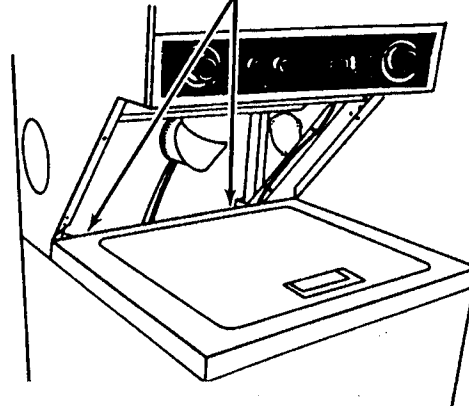


### WASHER TOP

1. REMOVE TRANSITION PANEL
- 2.



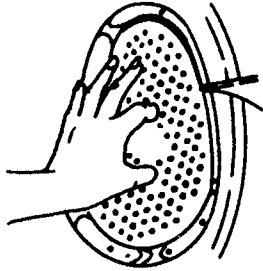
REMOVE THE TWO SCREWS LOCATED BEHIND THE WASHER TOP



## LINT SCREEN AND LINT REMOVAL

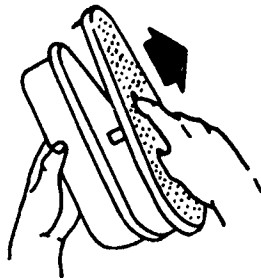
### LINT SCREEN

The lint screen is inside the dryer drum, on the back wall. The consumer should clean it before each load. Blocked screen will increase drying time.



**PULL STRAIGHT  
OUT**

1. Use the finger holes to pull the lint screen straight out.
2. Lightly squeeze the body, as shown, while pulling the cover off.
3. Roll lint off the screen with your fingers. **DO NOT** rinse or wash the screen. Wet lint is hard to remove



**SQUEEZE BODY;  
PULL COVER OFF**

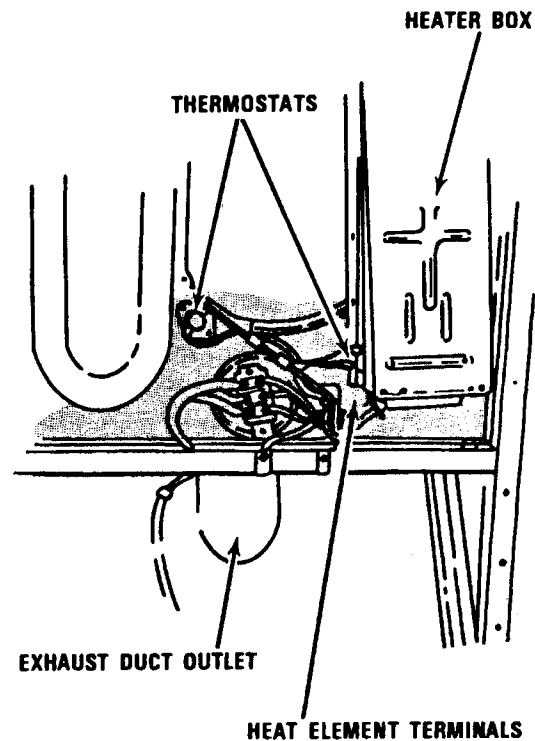
4. Replace the cover on the body of the lint screen
5. Push the lint screen straight back in until it clicks into place.

**CAUTION: RUNNING THE DRYER WITH THE LINT SCREEN LOOSE, DAMAGED OR MISSING CAN CAUSE OVERHEATING, DAMAGE TO FABRICS AND DRYER PARTS, OR CREATE A FIRE HAZARD.**

### LINT REMOVAL

The lint can gather inside the dryer and create a fire hazard. This lint should be removed every 2 to 3 years.

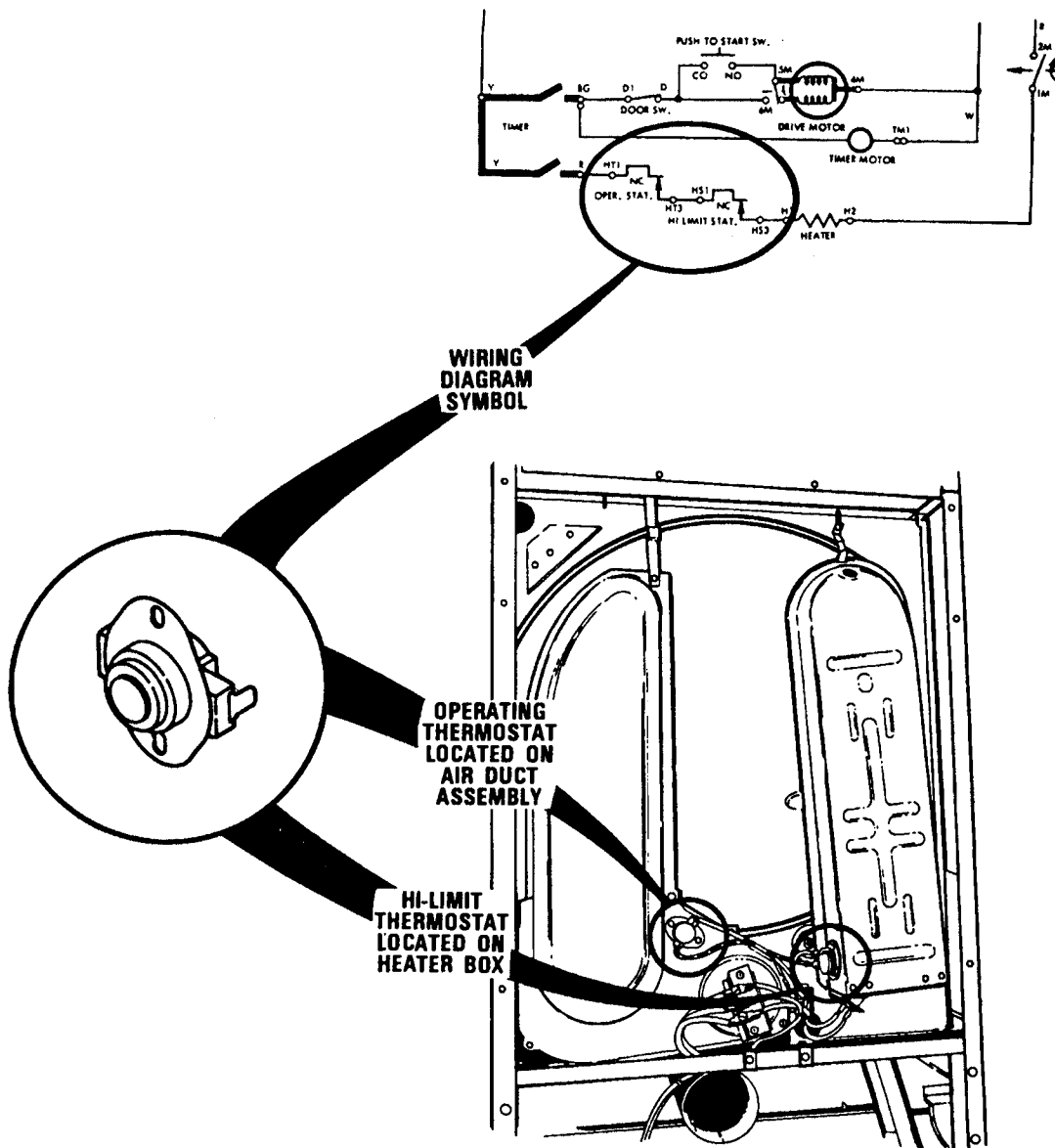
- Unplug power supply
  - Make sure dryer is cool.
1. Remove back panel from dryer.
  2. Avoid touching thermostats, wires, terminals and heater box.
  3. Remove lint from shaded area-see illustration below) with a soft brush or vacuum.
  4. Replace backpanel. Reconnect, exhaust duct, etc. Level the washer/dryer.



## THERMOSTAT LOCATION AND OPERATION

### FUNCTION:

1. OPERATING THERMOSTAT-  
Controls air temperature in dryer drum, by opening and closing electric circuit to heat element.
2. HIGH LIMIT THERMOSTAT-  
Open circuit to heat element in the event and operating thermostat fails, or if poor air flow causes the air temperature in the heater box to be abnormally high.

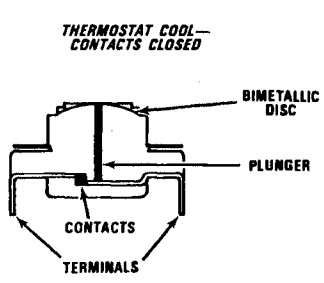




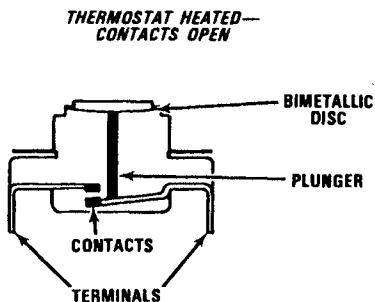
## THERMOSTAT TRIP/RESET OPERATION

### OPERATION:

A thermostat is composed of a bimetallic disc which has the property of "snapping" from its normal position to its opposite position when sufficiently heated. This bimetallic disc operates a single-pole, single throw switch which, in its normally open position, is wired in series in the heat element circuit.



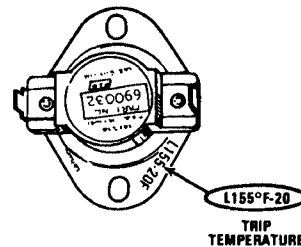
With the thermostat cool, the bimetallic disc does not exert pressure on the plunger and contacts. The contacts are closed.



As the thermostat is heated, the bimetallic disc "trips," pushing the plunger which in turn separates the contacts in the thermostat. As the thermostat cools, the bimetallic disc "resets" allowing the contacts to reclose.

### TRIP AND RESET TEMPERATURES

The trip and reset temperatures for the thermostat are stamped into the sheet metal skirt of the thermostat.



The set of numbers following the L in the stamping tells the trip temperature in degrees Fahrenheit. The last set of numbers tells the amount of degrees the reset temperature is below the trip temperature.

example: For the thermostat shown above—  
Trip (open) Temp; 155 degrees

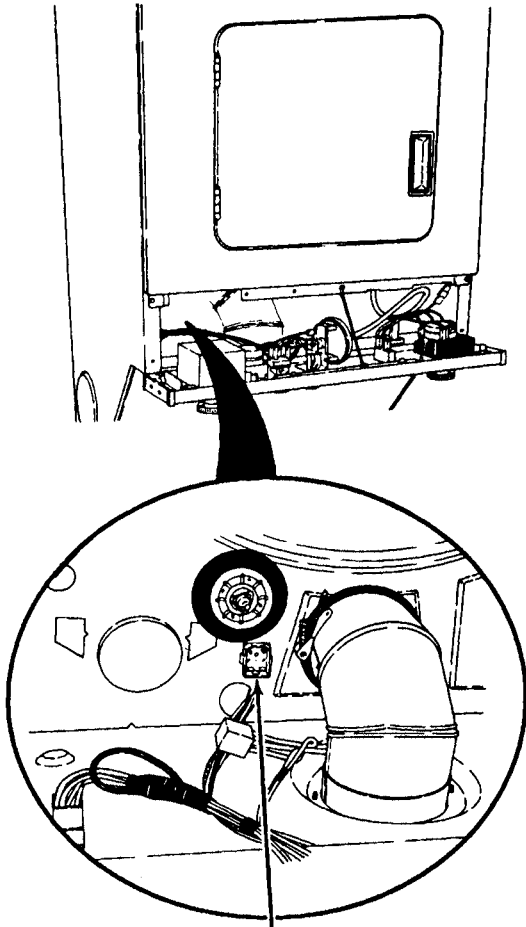
Reset (close) Temp: 135 degrees F (155 degrees -20 degrees F)

# TESTING

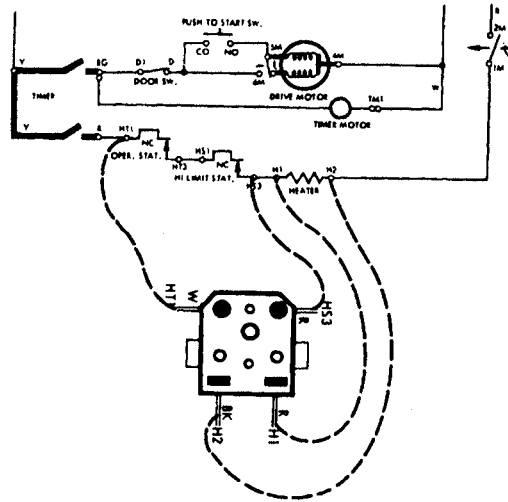
## TESTING

If the thermostat fails any of these test, replace it.

A heater element test block is located on the dryer bulkhead. Using this test block, both the operating and high-limit thermostats can be tested for continuity from the front of the washer/dryer while it is in its installed position.



**HEATER ELEMENT AND THERMOSTAT TEST BLOCK**

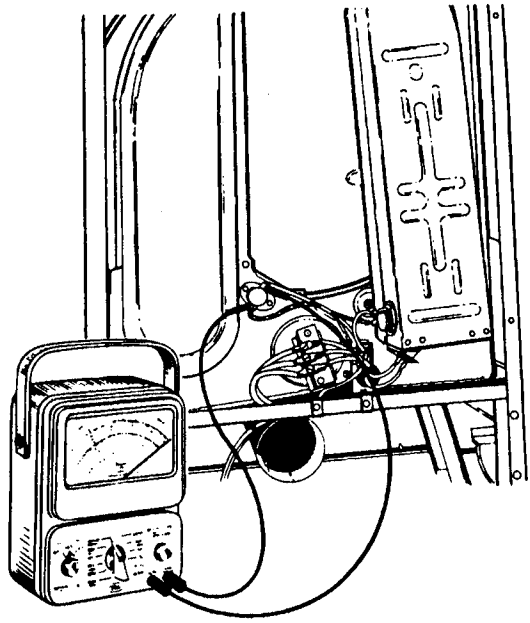
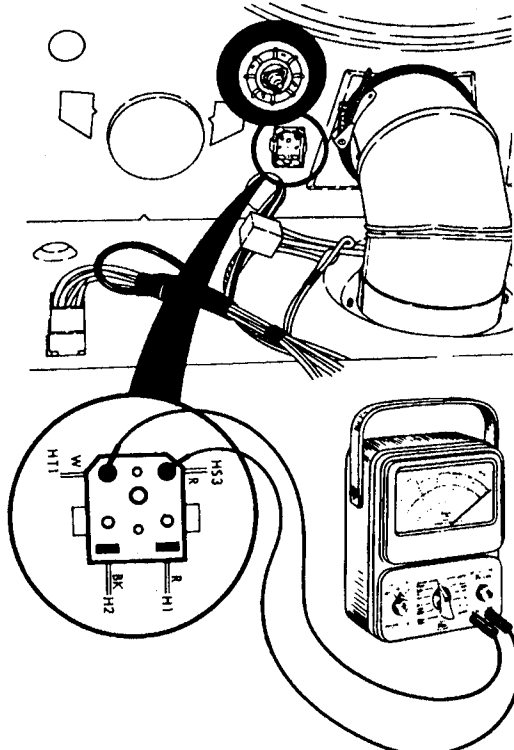


Heater element and thermostat test block terminals HT1 and HS3 read across the series combination of the operating and high-limit thermostats. Terminals H1 and H2 read across the heater element.

# TESTING

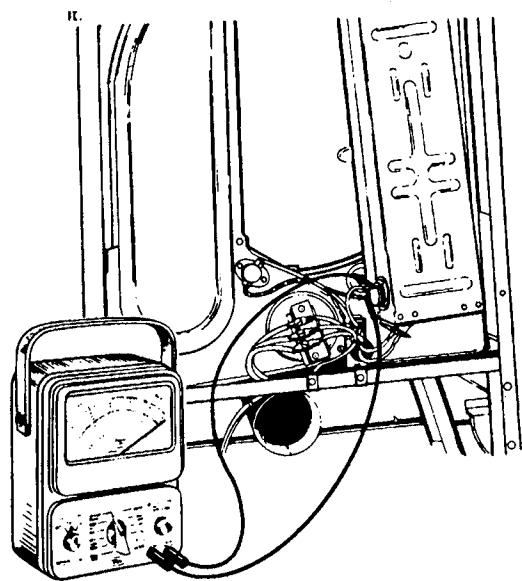
## 1. DRYER COOL- Thermostats in normally closed position.

- a. Testing thermostats from heat element and thermostat test block. Connect an ohmmeter to the thermostat (round) terminals on the heater element and thermostat test block; the meter should show continuity. If the meter shows an open circuit or any resistance, one or both of the thermostats are defective. Check each thermostat individually from the back of the product.



- c. Testing high limit Thermostat from back of Washer/Dryer. Disconnect one wire from the thermostat. Connect an ohmmeter to the thermostat terminals; the meter should show continuity. If the meter shows an open circuit, or any resistance, the thermostat is defective-replace it.

- b. Testing Operating Thermostat from Back of Washer/Dryer. Disconnect one wire from the thermostat. Connect an ohmmeter to the thermostat terminals; the meter should show continuity. If the meter shows an open circuit, or any resistance, the thermostat is defective-replace it.



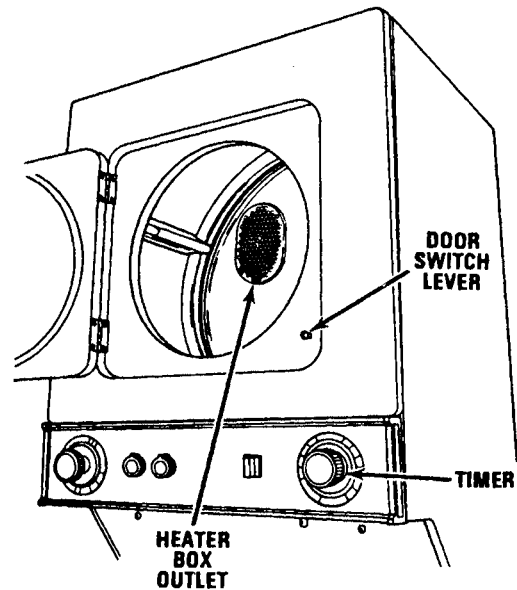
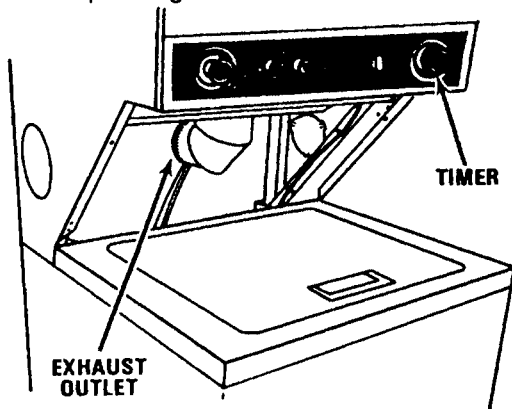
# TESTING THERMOSTAT CUT OUT TEMPERATURE

## 1. TESTING OPERATING THERMOSTAT CUT-OUT TEMPERATURE

*NOTE: Before performing this test, check for a grounded heat element. A grounded heater element would cause the dryer to overheat even if the operating thermostat is operating correctly.*

### Test Conditions

1. No clothes in dryer.
  2. Clean lint screen.
  3. Exhaust disconnected from dryer.
- a. Set timer for 30 minutes in Regular Heavy Cycle. Start Dryer.
  - b. Hold a glass thermometer in the center of the exhaust outlet. The maximum exhaust temperature should be 140° to 160° F. if the maximum exhaust temperature is out of this temperature range-replace the operating thermostat.

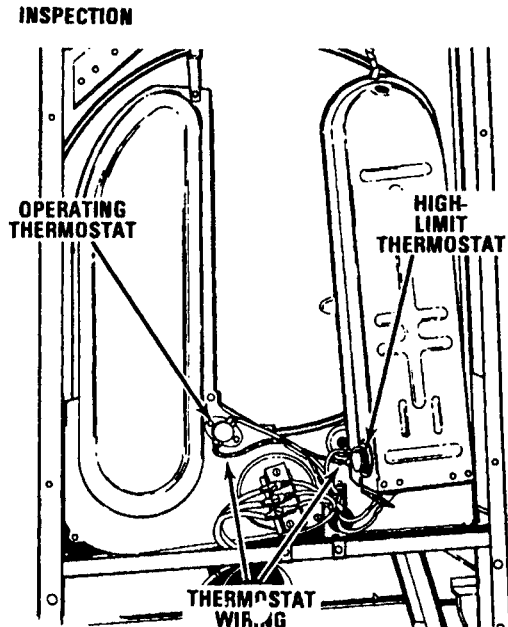


## 3. TESTING HEATER BOX HIGH LIMIT THERMOSTAT CUT-OUT TEMP.

*NOTE: SEE WARNING BELOW #2*

### Test Conditions

1. No clothes in the dryer
  2. Dryer door open
- a. Set timer for 30 minutes in regular Heavy Cycle, hold door switch lever in, start dryer.
  - b. Watch for an orange glow in the heater box outlet indicating the heater element is on. The high limit thermostat should cycle the heater element ON and OFF. If the high-limit thermostat does not cycle the heater element off, the thermostat is defective-replace the high-limit thermostat.



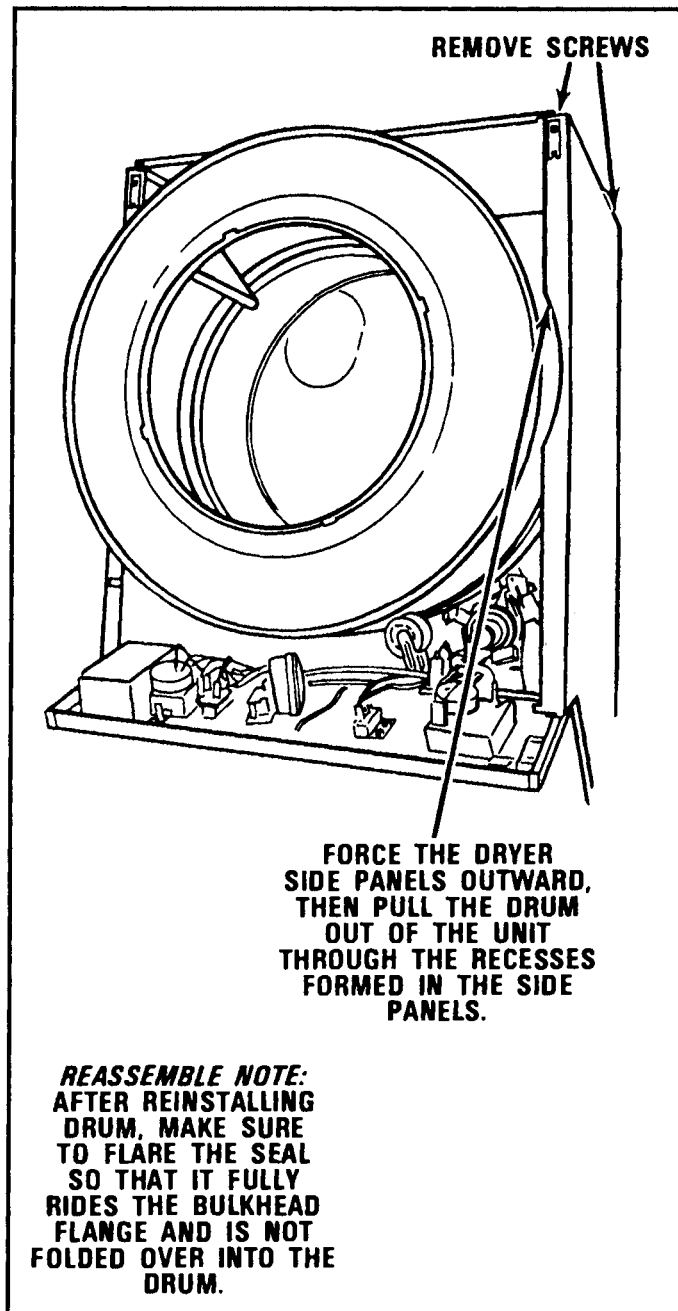
Visually inspect the thermostats and wiring to the thermostats for signs of overheating, such as scorched spots, insulation melted on wiring. Replace any thermostat that has physical signs of overheating. Repair harness as required.

# DRUM SERVICE PROCEDURE

## DRUM

### SERVICE PROCEDURE

1. Remove dryer front panel.
2. Remove dryer belt.
3. Remove the front two screws at each side of the dryer top.



# GLOW BAR ASSEMBLY SERVICE

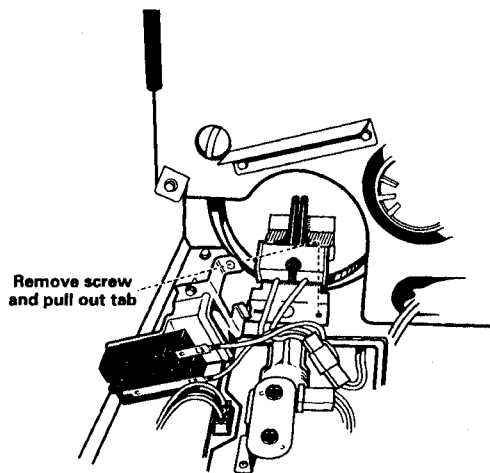
## GAS BURNER ASSEMBLY SERVICE

- The burner assembly is located in the lower left corner of the cabinet. To service, it is generally only necessary to remove the lower access panel.

**FIRST - be sure to shut off the gas supply and disconnect from the burner.**

### To remove burner assembly:

1. Remove wire leads from igniter and flame sensor
2. Remove two (2) screws in the front that hold the burner assembly in place.
3. Remove two (2) screws that secure the burner funnel into a collar attached to the bulkhead.
4. Pull the burner assembly forward and out of the unit



## MANIFOLD COVER

- The manifold cover is part of the heater box and fits into a hole in the bulkhead.

**NOTE:** The discoloration of the inlet manifold cover is usually the result of excessive heat in the heater box. This can be caused by a clogged lint screen or improper venting. The cover can also be discolored as a result of chemical sprayed in the laundry area, or added to loads of drying laundry. Though the discoloration may be unsightly, it does not impair the operation of the manifold or decrease the efficiency of the dryer.

## AIR INTAKE AND EXHAUST SYSTEM

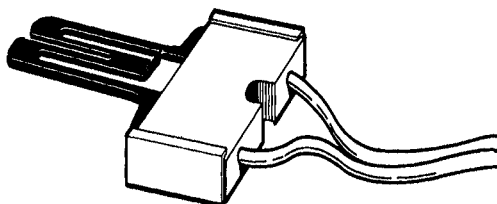
The blower wheel draws air across the burner where it is heated.

Incoming and outgoing air passes through ports in the bulkhead.

The heated air is circulated through the laundry and is pulled through the outlet manifold and the lint screen in the lint chute.

The moisture-laden air is then discharged through the 4-inch exhaust line to an outside vent.

## GLOW BAR



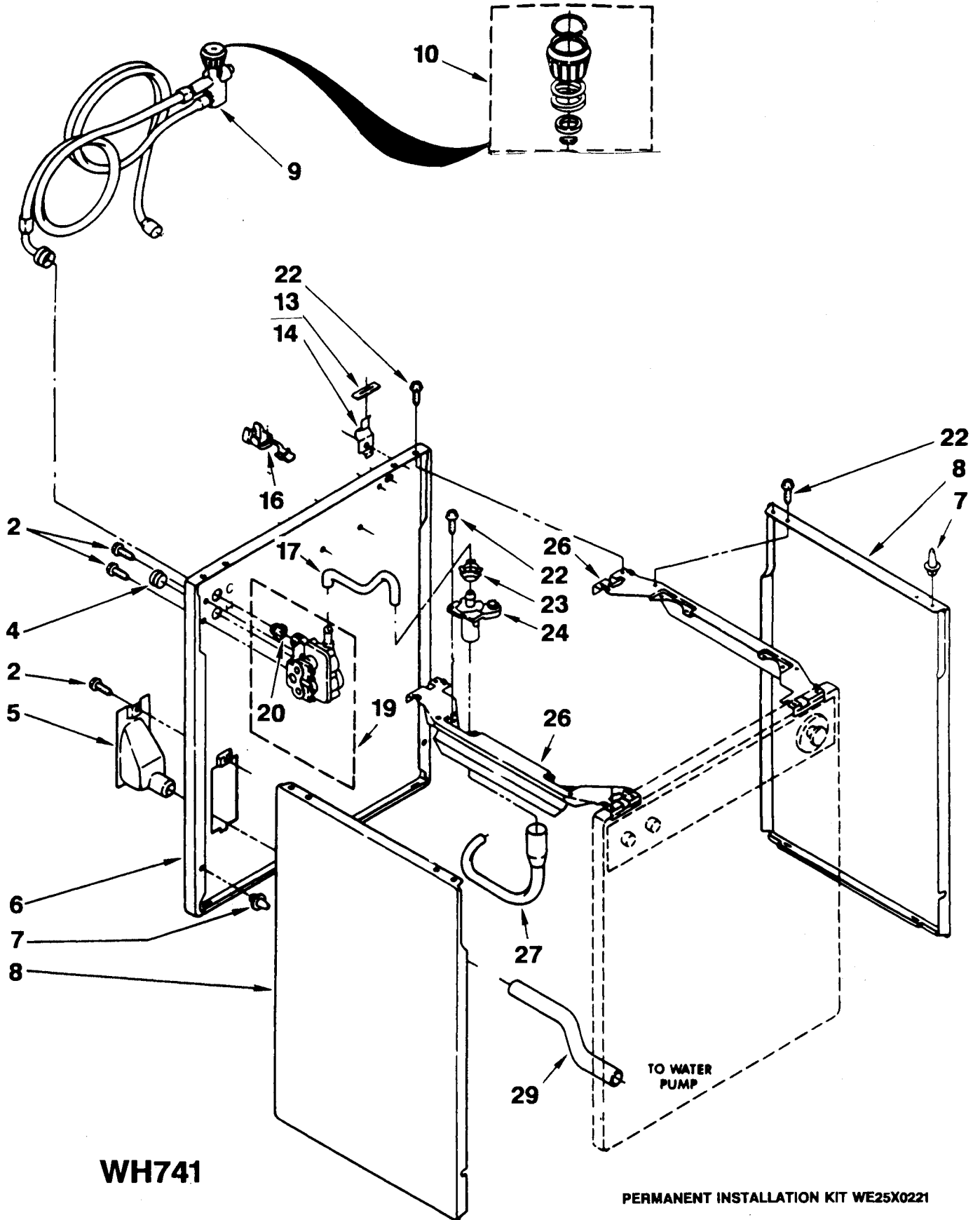
### WASHER TROUBLE DIAGNOSIS CHART

PROBLEM	POSSIBLE CAUSE	ACTION
MOTOR WILL NOT RUN	No/Low voltage to machine	Check supply voltage (100-130 volts).
	Thermal overload tripped	Check supply voltage (100-130 volts)
	Timer switches	Check continuity
	Poor connection on timer	Secure Terminal
	Motor start switch	Check continuity
	Motor disconnect block loose	Secure disconnect block
	Motor	Check voltage
	Wiring harness	Check continuity
	Incorrect harness wiring	check wire routing
	Water level switch	Check continuity
	Pump jammed	Replace pump
	Gearcase jammed	Check gearcase
	Lid open in spin cycle	Close lid
	NO AGITATE OR SPIN BUT MOTOR RUNS	Broken motor coupling (Motor Capacitor)
WATER WILL NOT ENTER MACHINE	Water turned off at supply	Check faucet-turn on
	No/low voltage to machine	Check continuity
	Water temperature switch	Check continuity
	Timer switches	Check continuity
	Wiring harness	Check continuity of wiring
	Poor connection at water inlet valve solenoid	Secure terminal
	Water level switch	Check continuity
WATER LEVEL TOO LOW	Incorrect harness wiring	Check wire routing
	Water level switch out of calibration	Check water level
	Customer misunderstanding of correct water level	Explain water level to customer
MACHINE WILL NOT AGITATE	Wiring harness	Check continuity
	Motor	(See MOTOR WILL NOT RUN)
	Stripped agitator spline	Replace agitator
	Damaged agitate cam	Replace transmission
	Damaged agitate gear	Replace transmission
	Broken agitator shaft	Replace transmission
INTERMITTENT AGITATE	Pause in timer	Normal condition
	Damaged agitate cam	Replace transmission
	Ball or thrust washer missing	Replace or repair
	Agitate gear clutch teeth worn or broken	Replace transmission

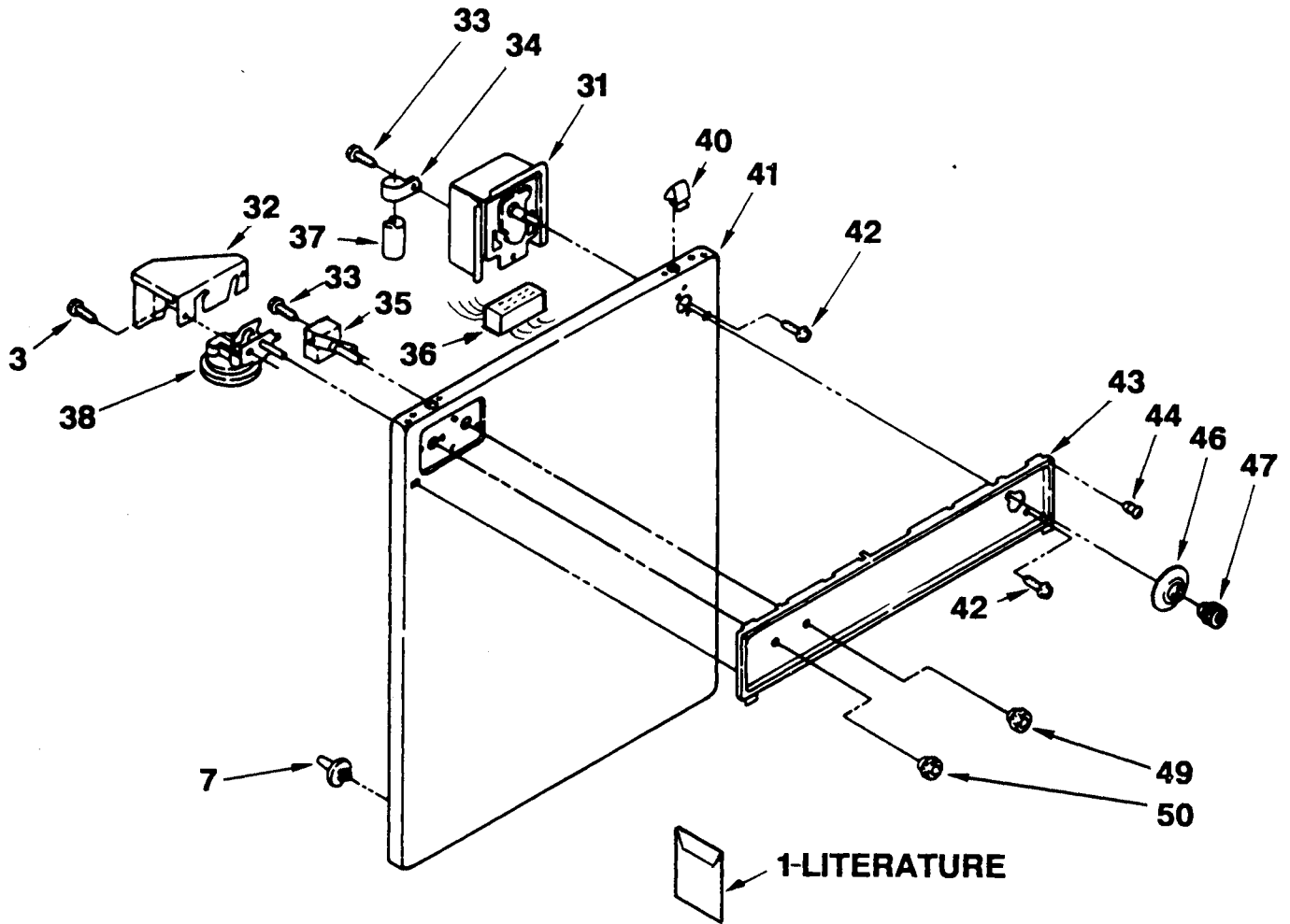
<b>KNOCK DURING AGITATE</b>	<b>Agitator splines</b>	<b>Replace agitator</b>
	<b>Excessive clearance on pinion thrust or main drive gear.</b>	<b>Replace</b>
<b>TRIES TO AGITATE DURING SPIN</b>	<b>Shift actuator or cam damaged</b>	<b>replace</b>
<b>WATER DOES NOT DRAIN FROM MACHINE</b>	<b>Clogged drain</b>	<b>Remove obstruction</b>
	<b>Pump</b>	<b>Replace pump</b>
	<b>Drain hose kinked</b>	<b>Relocate hose to prevent kinking</b>
<b>SLOW OR NO SPIN</b>	<b>Lid open</b>	<b>Close lid</b>
	<b>Lid switch defective</b>	<b>Check continuity</b>
	<b>Lid switch disconnect plug open</b>	<b>Check plug engagements</b>
	<b>Wiring harness</b>	<b>Check continuity</b>
	<b>Timer switches</b>	<b>Check continuity</b>
	<b>Motor</b>	<b>See (MOTOR WILL NOT RUN)</b>
	<b>EXCESSIVE VIBRATION OR MACHINE WALKS</b>	<b>Not level</b>
	<b>Front leveling legs locknut not tight</b>	<b>Secure locknut against fram after leveling</b>
	<b>Weak floor</b>	<b>Advise customer</b>
	<b>Unbalanced load</b>	<b>Redistribute load</b>
	<b>Shipping pins not removed</b>	<b>Remove pins</b>
	<b>Rear leveling legs stuck</b>	<b>Loosen</b>
	<b>Rear cabinet side loose</b>	<b>Remove top clips, push cabinet sides inward when reinstalling tip clips.</b>
	<b>Suspension plate sticky</b>	<b>Clean</b>
	<b>Suspension plate damaged or worn</b>	<b>Replace</b>
	<b>Suspension pads damaged or worn</b>	<b>Replace</b>
	<b>Tub support friction area sticky</b>	<b>Clean</b>
	<b>Tub support damaged or worn</b>	<b>Replace</b>
	<b>Suspension springs missing, broken or not connected</b>	<b>Replace</b>
	<b>Basket ballast missing</b>	<b>Replace basket balance ring</b>
<b>CLOTHES DAMAGE</b>	<b>Agitator</b>	<b>Replace agitator</b>
	<b>Basket</b>	<b>Replace basket</b>
	<b>Use of excessive bleach</b>	<b>Instruct customer</b>
	<b>Overloading machine</b>	<b>Instuct customer</b>
	<b>Foreign objects</b>	<b>Remove</b>
	<b>Water level too low</b>	<b>Increase water level</b>
<b>GEAR CASE LEAKS OIL</b>	<b>Leak or is defective</b>	<b>Replace transmission</b>
<b>WATER SPLASHING ON FLOOR</b>	<b>Use of low water with high agitate</b>	<b>Advise customer to use higher water level</b>
	<b>Leaking components</b>	<b>Repair or replace</b>
<b>BRAKE SQUEAL</b>	<b>Contaminated linings</b>	<b>Replace brake shoe assembly</b>



MODELS WWP2000SAXAD, WWP2000SAXWH  
WWP2050SAXAD, WWP2050SAXWH

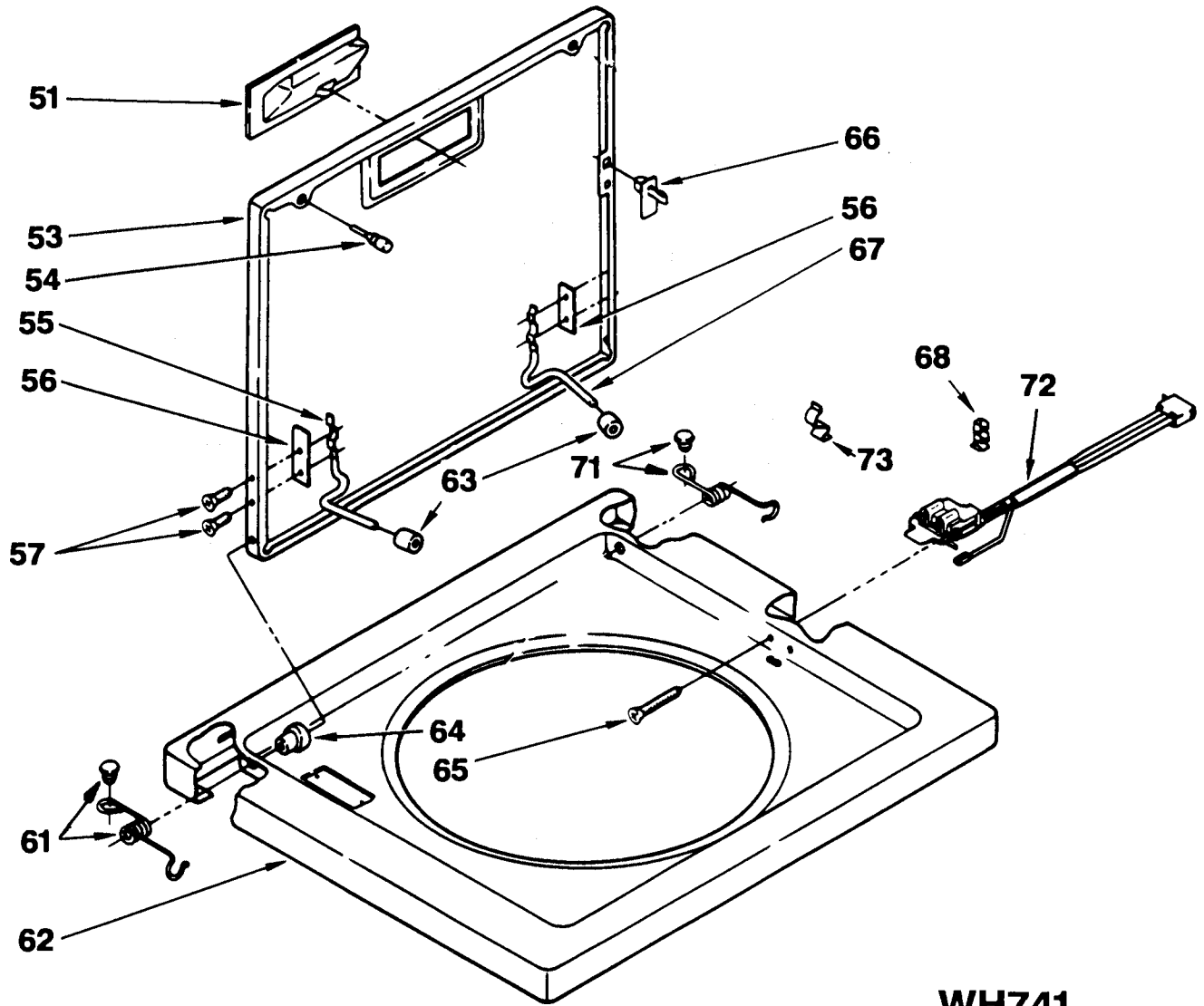


MODELS WWP2000SAXAD, WWP2000SAXWH  
WWP2050SAXAD, WWP2050SAXWH



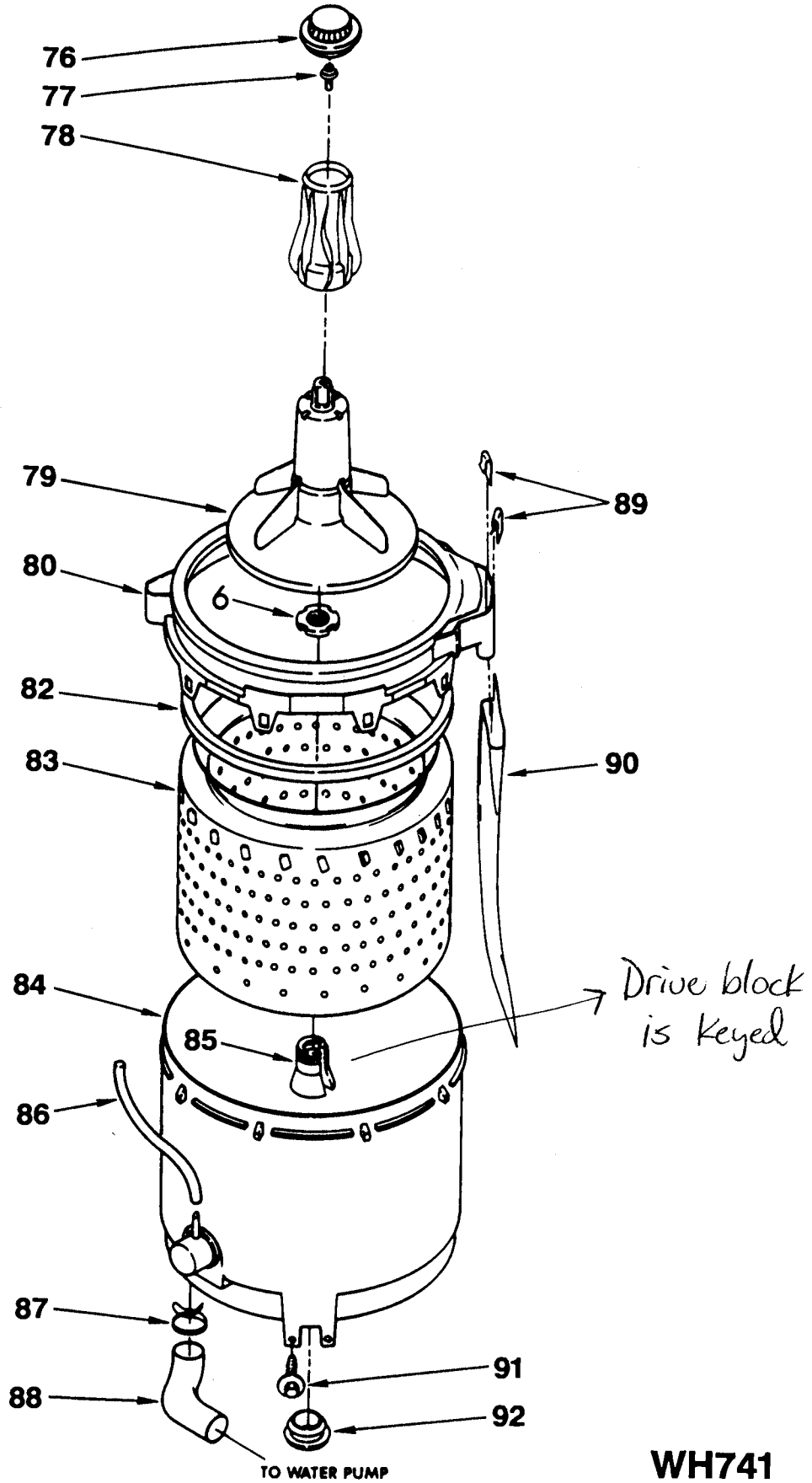
WH741

MODELS WWP2000SAXAD, WWP2000SAXWH  
WWP2050SAXAD, WWP2050SAXWH



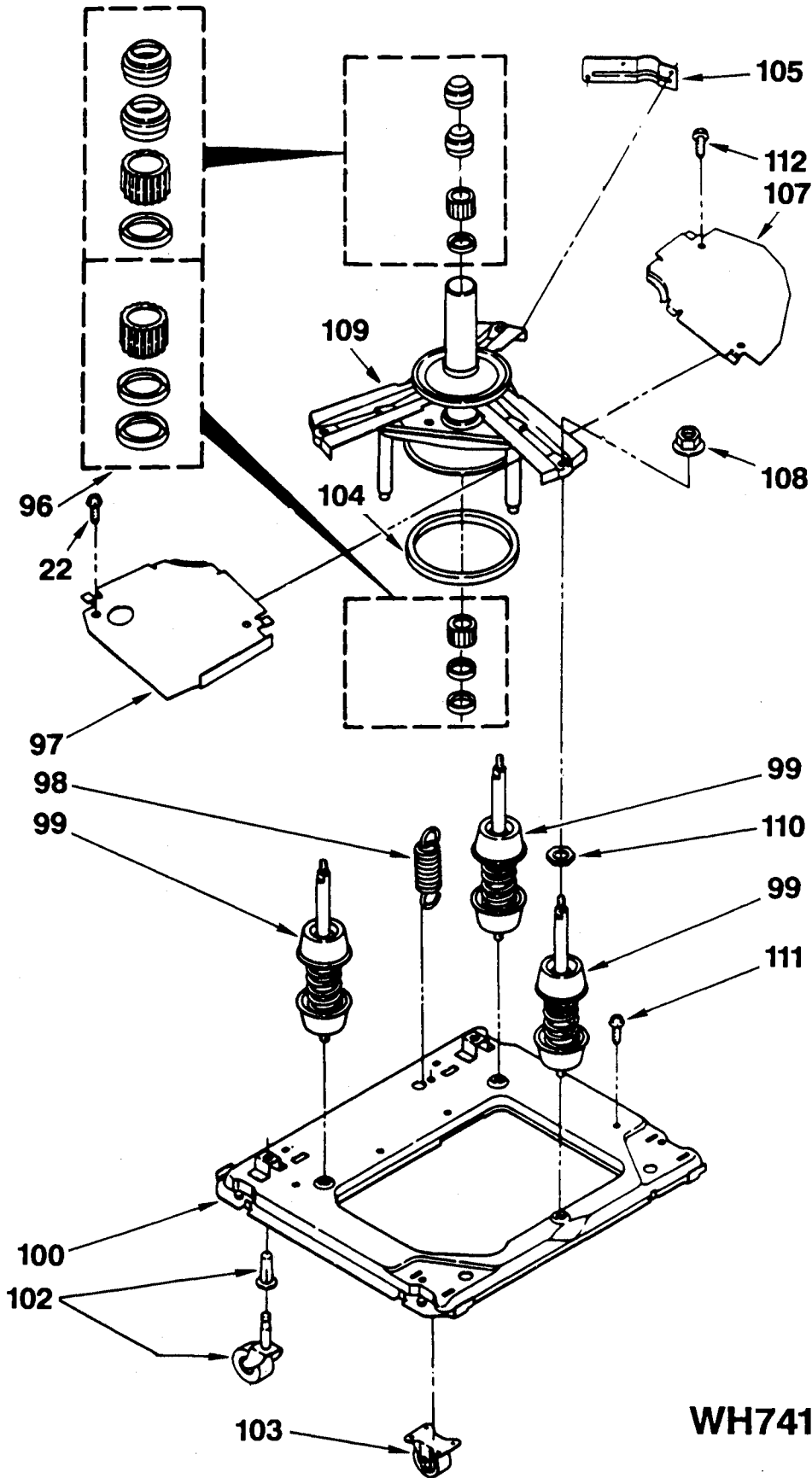
WH741

MODELS WWP2000SAXAD, WWP2000SAXWH  
WWP2050SAXAD, WWP2050SAXWH



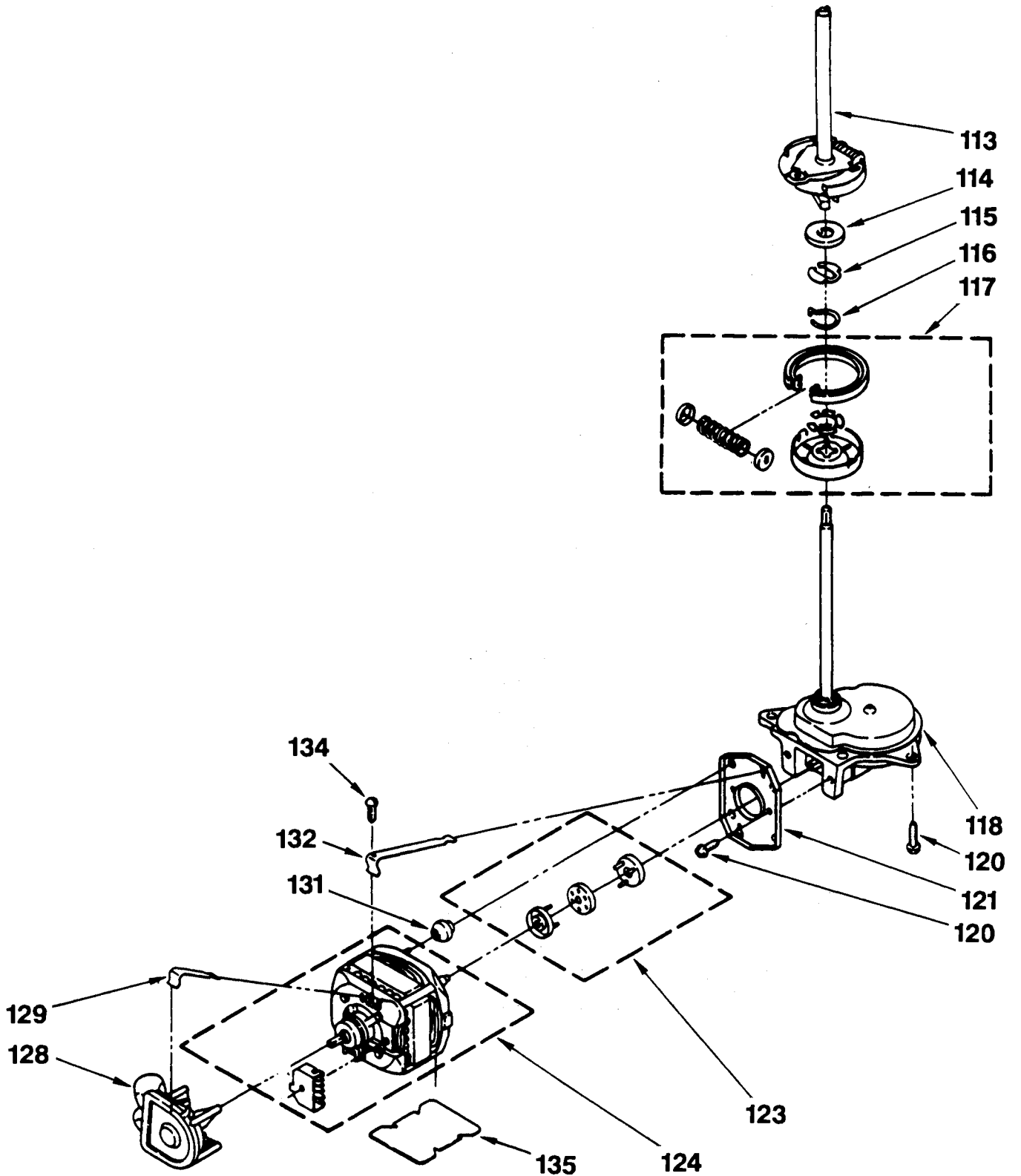
WH741

MODELS WWP2000SAXAD, WWP2000SAXWH  
WWP2050SAXAD, WWP2050SAXWH



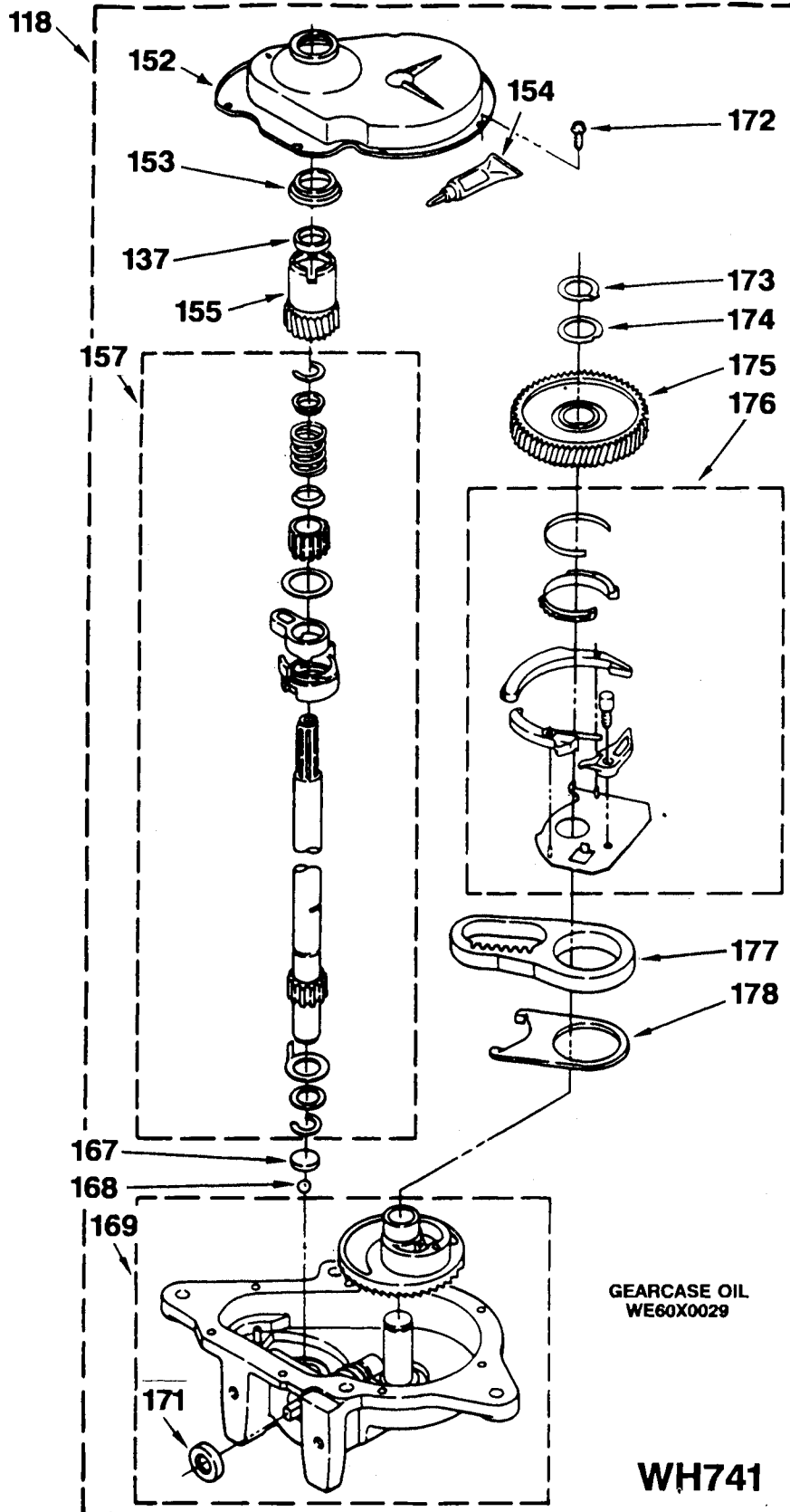
WH741

MODELS WWP2000SAXAD, WWP2000SAXWH  
WWP2050SAXAD, WWP2050SAXWH

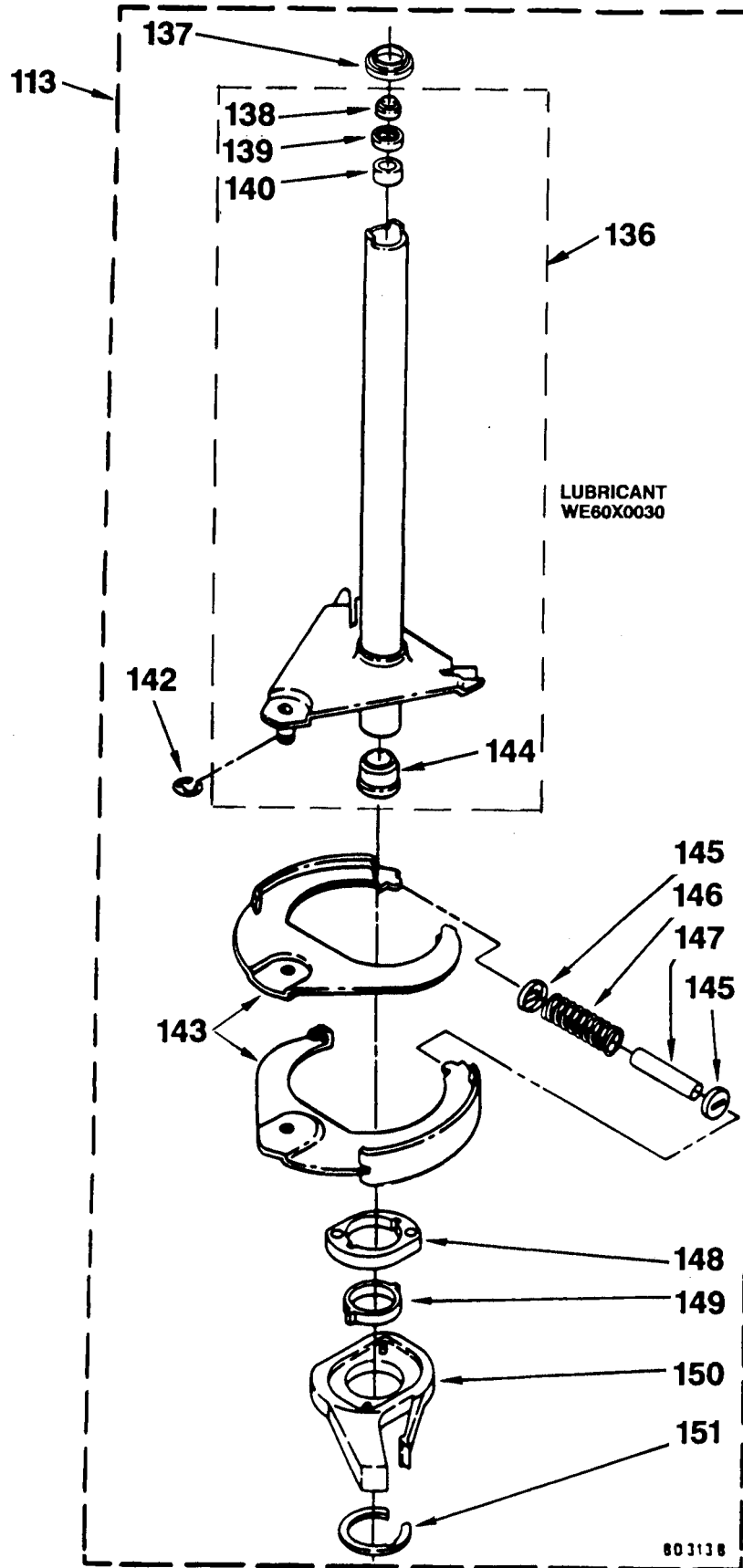


WH741

MODELS WWP2000SAXAD, WWP2000SAXWH  
WWP2050SAXAD, WWP2050SAXWH



MODELS WWP2000SAXAD, WWP2000SAXWH  
WWP2050SAXAD, WWP2050SAXWH



WH741



W W W W  
W W W W  
P P P P  
2 2 2 2  
0 0 0 0  
0 0 5 5  
0 0 0 0  
S S S S  
A A A A  
X X X X  
A W A W  
D H D H

REF. NO.	PART NO.	PART DESCRIPTION	1	2	3	4
1	31-2717	MINI MANUAL	1	1	1	1
	49-9800	USE & CARE GUIDE	1	1	1	1
	31-2655	INSTALL INSTR	1	1	-	-
	31-2656	INSTALL INSTR	-	-	1	1
2	NOT STOCKED	SCREW 10-16X3/8	7	7	7	7
4	WH01X2658	CAP, MIXING VALVE	1	1	1	1
5	WH41X0348	CONNECTOR, DRAIN	1	1	1	1
6	WH46X0324	PANEL, REAR	1	-	1	-
	WH46X0323	PANEL, REAR	-	1	-	1
7	WH01X2659	LOCATOR, TOP	4	4	4	4
8	WH46X0326	PANEL, SIDE	2	-	2	-
	WH46X0325	PANEL, SIDE	-	2	-	2
9	WH41X0352	HOSE, COUPLER	1	1	1	1
10	WH49X0293	KIT, COLLAR	1	1	1	1
13	WH01X2660	PAD, TOP HNG	2	2	2	2
14	WH16X0503	HINGE, REAR PANEL	2	2	2	2
16	WH01X2669	CLIP, STRAIN RELIEF	1	1	1	1
17	WH41X0345	HOSE, WATER INLET	1	1	1	1
19	WH13X0084	VALVE, WATER	1	1	1	1
22	NOT STOCKED	SCREW 10-16X1/2	15	15	15	15
23	WH01X2661	CAP, SIPHON BRK	1	1	1	1
	NOT STOCKED	CLIP, HARNESS ROUTING	1	1	1	1
24	WH01X2662	SIPHON BREAK	1	1	1	1
26	WH16X0504	BRACE, TIE	2	2	2	2
27	WH41X0346	HOSE, SIPHON BRK	1	1	1	1
29	WH41X0347	HOSE, PUMP DRN	1	1	1	1
31	WH12X0948	TIMER ASM.	1	1	1	1
32	WH16X0505	SHIELD, CONTROL	1	1	1	1
33	NOT STOCKED	SCREW #8X5/16	3	3	3	3
34	WH02X1158	CLAMP, CAPACITOR	1	1	1	1
35	WH12X0943	SWITCH, TEMP CTRL	-	-	1	1
	WH12X0942	SWITCH, TEMP CTRL	1	1	-	-
36	WH19X0300	HARNESS CAB WIRING	1	1	1	1
37	WH12X0949	CAPACITOR, MOTOR	1	1	1	1
38	WH12X0940	SWITCH, WATER LVL	-	-	1	1
38	WH12X0939	SWITCH, WATER LVL	1	1	-	-
40	WH01X2663	LOCK, FRONT TOP	2	2	2	2
41	WH46X0328	PANEL, FRONT	1	-	1	-
	WH46X0327	PANEL, FRONT	-	1	-	1
42	WH02X1159	SCR, TIMER MNTG	1	1	1	1

W W W W  
W W W W  
P P P P  
2 2 2 2  
0 0 0 0  
0 0 5 5  
0 0 0 0  
S S S S  
A A A A  
X X X X  
A W A W  
D H D H

REF. NO.	PART NO.	PART DESCRIPTION	W	W	W	W
43	WH42X2312	PANEL, CTRL	-	-	1	1
	WH42X2311	PANEL, CTRL	1	1	-	-
44	WH02X1170	RIVET, CONS.MNTG	2	2	2	2
46	WH01X2654	DIAL, TIMER	1	1	1	1
47	WH01X2664	KNOB, TIMER	1	-	1	-
47	WH01X2655	KNOB, TIMER	-	1	-	1
49	WH01X2657	KNOB, WATER TEMP	1	1	1	-
	WH01X2656	KNOB, TEMP CTRL	-	-	-	1
50	WH01X2657	KNOB, WATER LVL	-	-	-	1
	WH01X2656	KNOB, WATER LEVEL	-	-	1	-
51	WH01X2666	HANDLE, LID	1	-	1	-
	WH01X2665	HANDLE, LID	-	1	-	1
53	WH44X1157	LID	1	-	1	-
	WH44X1156	LID	-	1	-	1
54	WH01X2667	BUMPER, LID	2	2	2	2
55	WH16X0506	HINGE, LID	1	1	1	1
56	WH01X2668	PAD, LID HINGE	2	2	2	2
57	WH02X1160	SCR, LID HINGE	4	4	4	4
61	WH01X2670	SPRING & BUTTON	1	1	1	1
62	WH44X1159	TOP	1	-	1	-
62	WH44X1158	TOP	-	1	-	1
63	WH01X2671	BUMPER, LID	2	2	2	2
64	WH04X0105	BEARING, LID HNG	2	2	2	2
65	WH02X1161	SCR & WASHER	2	2	2	2
66	WH01X2672	STRIKE, LID SW	1	1	1	1
67	WH16X0507	HINGE, LID	1	1	1	1
68	WH01X2674	CLIP, GROUNDING	1	1	1	1
71	WH01X2673	SPRING & BUTTON	1	1	1	1
72	WH12X0941	SWITCH, LID	1	1	1	1
76	WH43X0133	CAP, AGITATOR	1	1	1	1
77	WH02X1162	SCR/WSHR 5/16-24X1	1	1	1	1
78	WH45X0144	FILTER, AGITATOR	1	1	1	1
79	WH43X0134	AGITATOR	1	1	1	1
80	WH45X0145	RING & GASKET	1	1	1	1
81	WH02X1163	NUT, SPANNER	1	1	1	1
82	WH08X0372	GASKET, TUB RING	1	1	1	1
83	WH45X0146	BASKET	1	1	1	1
84	WH45X0147	TUB	1	1	1	1
85	WH40X0180	BLOCK, BSKT DRIVE	1	1	1	1
86	WH41X0349	HOSE, PRESS. SW.	1	1	1	1

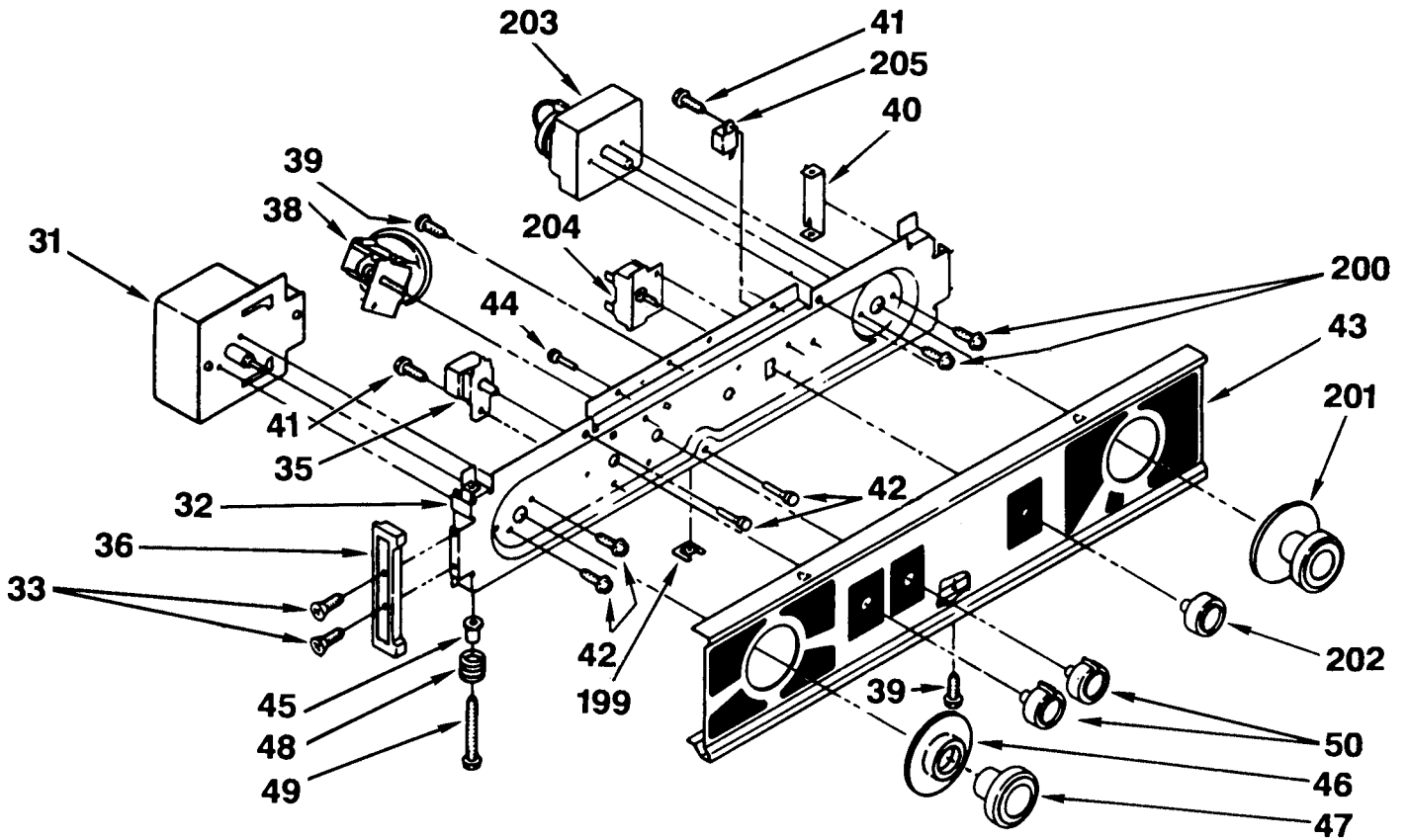
W W W W  
W W W W  
P P P P  
2 2 2 2  
0 0 0 0  
0 0 5 5  
0 0 0 0  
S S S S  
A A A A  
X X X X  
A W A W  
D H D H

REF. NO.	PART NO.	PART DESCRIPTION	1	2	3	4
87	NOT STOCKED	CLAMP, HOSE	1	1	1	1
88	WH41X0350	HOSE, TUB-PUMP	1	1	1	1
89	NOT STOCKED	CLIP, RETAINING	4	4	4	4
90	WH41X0351	TUBE, DRAIN-OFF	1	1	1	1
91	WH02X1164	SCR.& WASHER	4	4	4	4
92	WH08X0373	GASKET, CENTERPOST	1	1	1	1
96	WH04X0106	BEARINGS, CENTERPOST	1	1	1	1
97	WH16X0508	SHIELD, TUB	1	1	1	1
98	WH01X2675	SPRING, COUNTERWEIGHT	1	1	1	1
99	WH17X0090	SUSPENSION ASM.	3	3	3	3
100	WH46X0329	BASE	1	1	1	1
102	WH09X0037	CASTER/SOCKET REAR	2	2	2	2
103	WH09X0038	WHEEL, FRONT	2	2	2	2
104	WH08X0374	RING, SOUND DEADNG	1	1	1	1
105	WH16X0509	BRACKET, SPRING	1	1	1	1
107	WH16X0510	SHIELD, TUB	1	1	1	1
108	NOT STOCKED	NUT 1/2-13	3	3	3	3
110	NOT STOCKED	WASHER, HEX	2	2	2	2
111	NOT STOCKED	SCREW 10-32X1/2	1	1	1	1
112	NOT STOCKED	SCREW 8AX3/8	4	4	4	4
113	WH38X0054	BRAKE & DRIVE TUBE	1	1	1	1
114	WH02X1165	WASHER	1	1	1	1
115	WH02X1166	RING, SPIN	1	1	1	1
116	WH02X1167	RING, RETAINER	1	1	1	1
117	WH39X0047	CLUTCH ASM	1	1	1	1
118	WH37X0046	GEARCASE ASM	1	1	1	1
120	WH02X1168	SCREW	5	5	5	5
121	WH17X0092	PLATE, MOTOR MNT	1	1	1	1
123	WH17X0093	COUPLING	1	1	1	1
124	WH20X0861	MOTOR & SWITCH	1	1	1	1
128	WH23X0080	PUMP	1	1	1	1
129	WH01X2676	RETAINER, PUMP	1	1	1	1
131	WH02X1169	GROMMET, MOTOR	1	1	1	1
132	WH01X2677	RETAINER, MOTOR	2	2	2	2
134	NOT STOCKED	SCREW 10-16X5/8	1	1	1	1
135	WH16X0511	SHIELD, MOTOR	1	1	1	1
137	WH02X1171	RING, THRUST	1	1	1	1
138	WH08X0375	SEAL, OIL	1	1	1	1
139	WH08X0376	SEAL	2	2	2	2
140	WH02X1172	SPACER, DRIVE TUBE	1	1	1	1

W	W	W	W
W	W	W	W
P	P	P	P
2	2	2	2
0	0	0	0
0	0	5	5
0	0	0	0
S	S	S	S
A	A	A	A
X	X	X	X
A	W	A	W
D	H	D	H

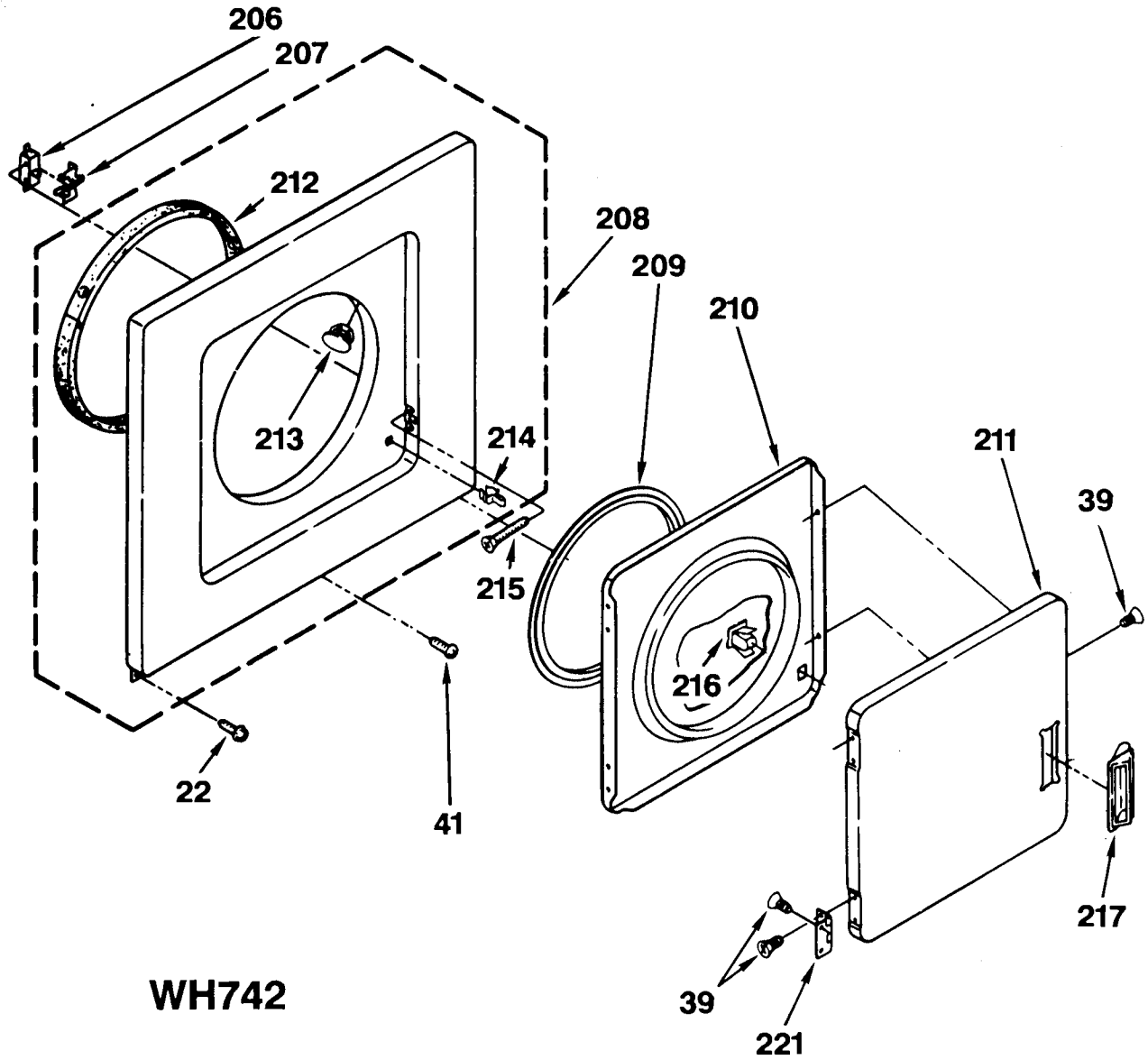
REF. NO.	PART NO.	PART DESCRIPTION				
141	WH60X0030	LUBRICANT	1	1	1	1
	WH40X0182	TUBE, DRIVE	1	1	1	1
142	WH02X1173	RING, RETAINING	1	1	1	1
143	WH07X0121	SHOES, BRAKE	1	1	1	1
144	WH04X0107	BEARING, SPIN TUBE	1	1	1	1
145	WH01X2680	CAP, BRAKE SPRING	2	2	2	2
146	WH01X2681	SPRING, BRAKE	1	1	1	1
147	WH01X2682	SLEEVE, BRAKE SPR.	1	1	1	1
148	WH05X0246	CAM, BRK RELEASE	1	1	1	1
149	WH05X0247	SLEEVE, CAM	1	1	1	1
150	WH05X0248	CAM, BRK DRIVER	1	1	1	1
151	WH02X1174	RING, RETAINING	1	1	1	1
152	WH37X0047	HOUSING, UPR GEARCASE	1	1	1	1
	WH08X0377	SEAL, GEARCASE HSG	1	1	1	1
153	WH60X0028	SEALER, GASKET	1	1	1	1
155	WH05X0249	PINION, SPIN	1	1	1	1
157	WH40X0181	SHAFT ASM, AGITATOR	1	1	1	1
167	WH04X0108	BEARING, THRUST	1	1	1	1
168	WH04X0109	BEARING, BALL	1	1	1	1
169	WH37X0048	HOUSING, LWR GEARCASE	1	1	1	1
171	WH08X0378	SEAL, THRUST PLUG	1	1	1	1
172	WH02X1175	SCREW, GEARCASE HSG	8	8	8	8
173	WH02X1176	RING, RETAINING	1	1	1	1
174	WH02X1177	WASHER, THRUST	1	1	1	1
175	WH05X0250	GEAR, SPIN	1	1	1	1
176	WH07X0122	NEUTRAL ASM	1	1	1	1
177	WH05X0251	RACK, CONNECTING	1	1	1	1
178	WH05X0252	ACTUATOR, SHIFT	1	1	1	1
179	WH60X0029	OIL, GEARCASE	1	1	1	1
	WE25X0221	KIT, PERM. INSTALL	-	-	1	1

**MODELS WSM2420SAZAA, WSM2420SAZWW**  
**WASHER/DRYER CONTROL PANEL PARTS**

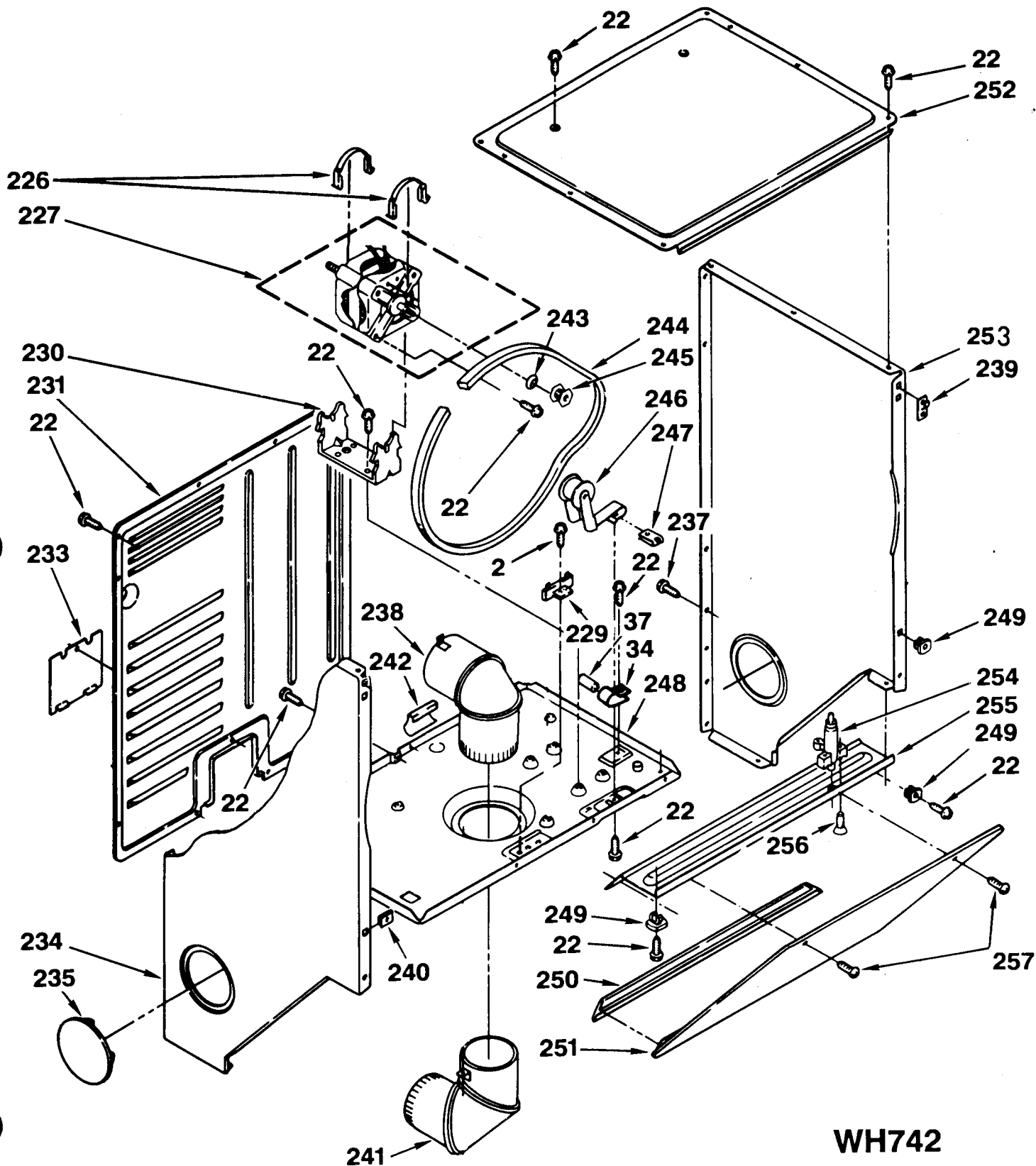


**WH742**

**MODELS WSM2420SAZAA, WSM2420SAZWW**  
**DRYER FRONT PANEL AND DOOR PARTS**



MODELS WSM2420SAZAA, WSM2420SAZWW  
DRYER CABINET AND MOTOR PARTS

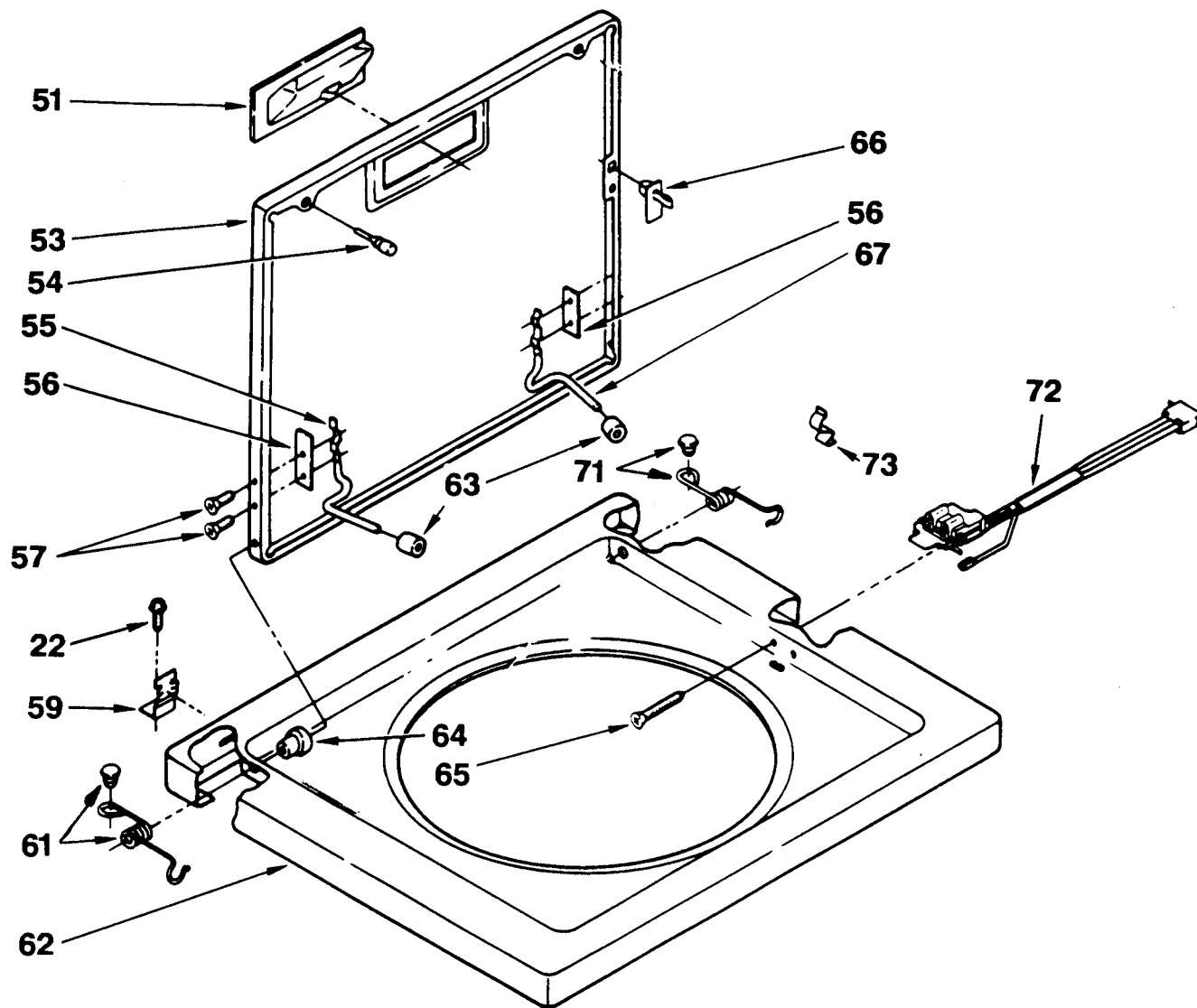


WH742



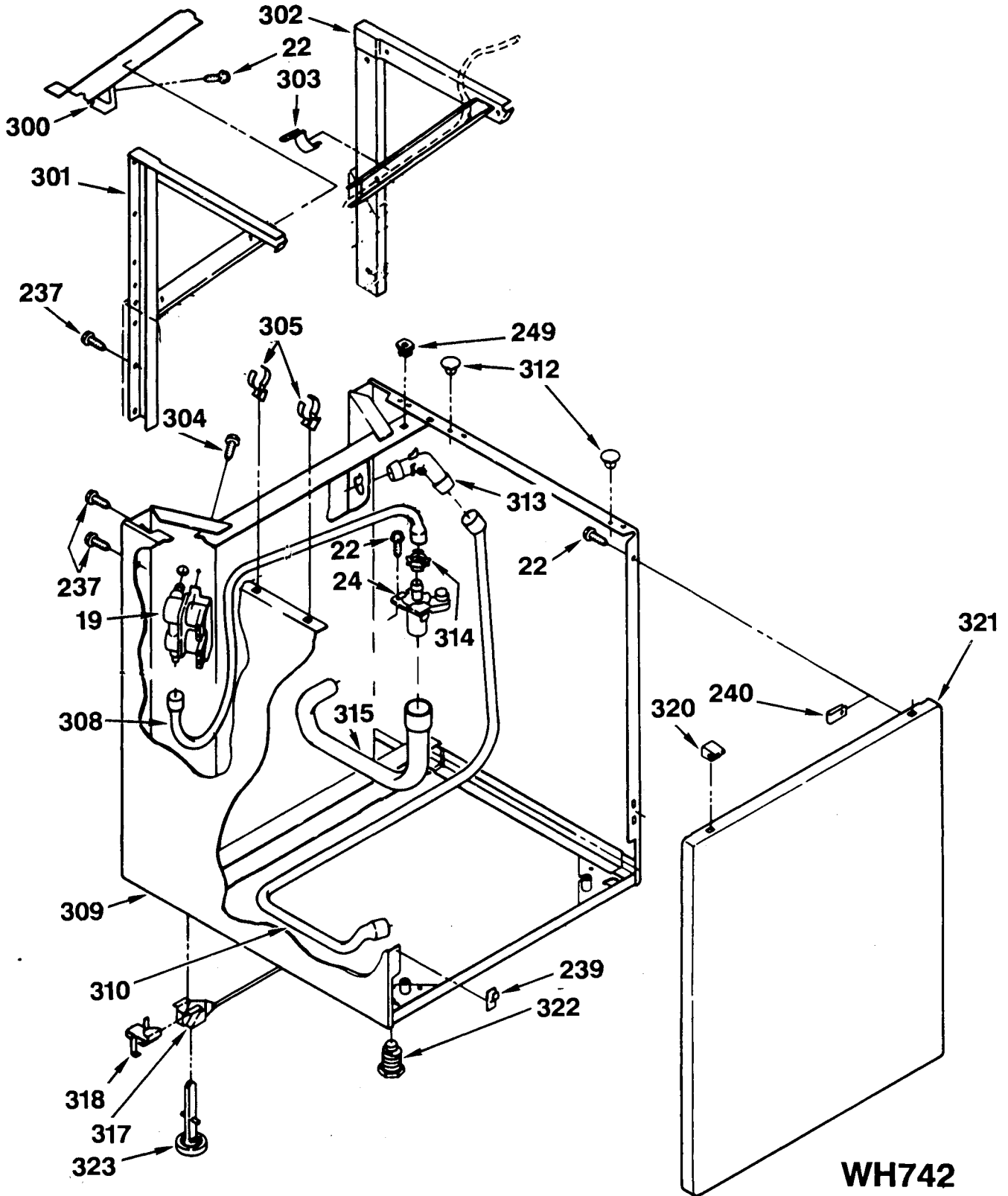


MODELS WSM2420SAZAA, WSM2420SAZWW  
LID PARTS



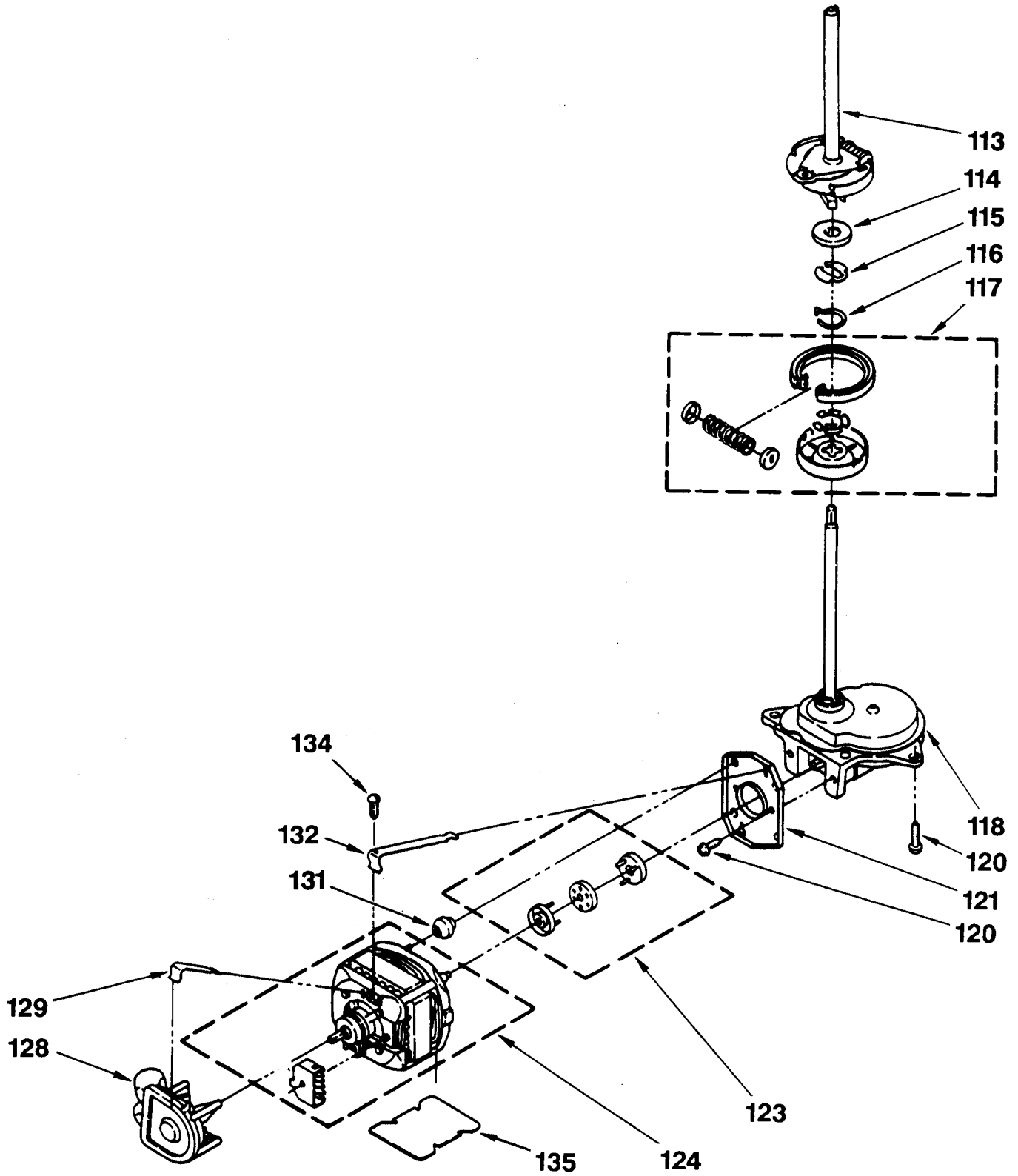
WH742

MODELS WSM2420SAZAA, WSM2420SAZWW  
WASHER CABINET PARTS



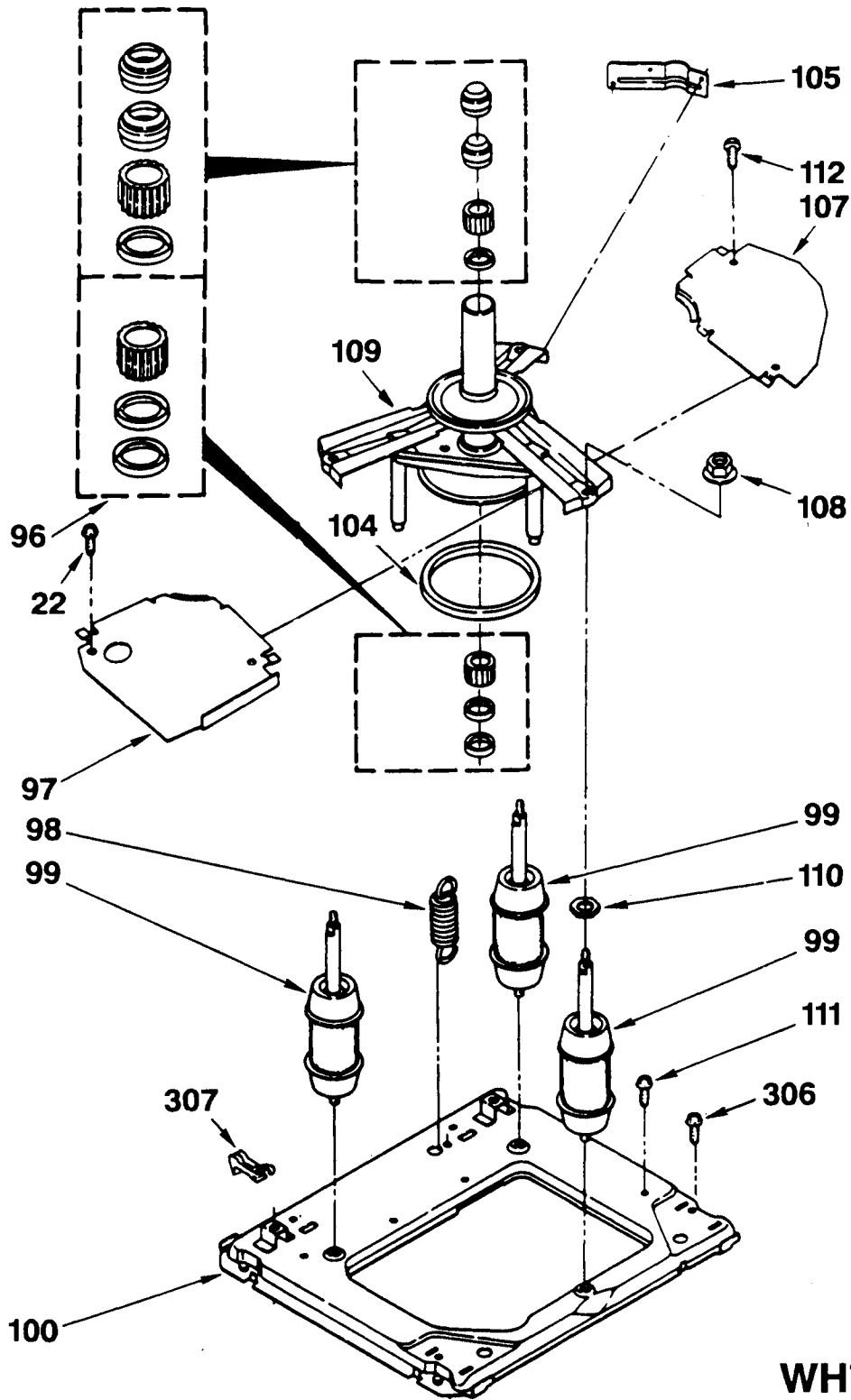
WH742

MODELS WSM2420SAZAA, WSM2420SAZWW  
MOTOR AND TRANSMISSION ASM



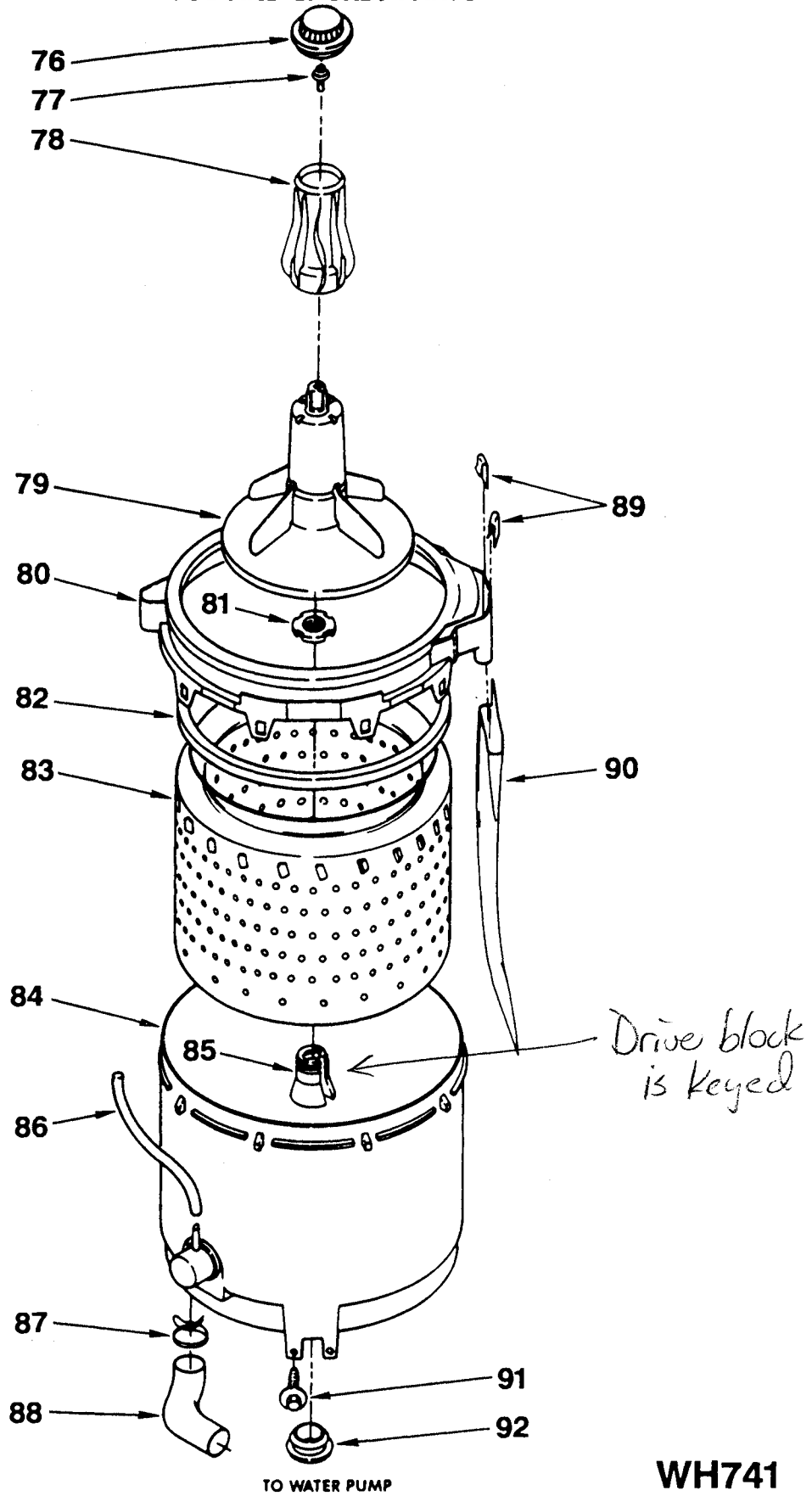
WH741

MODELS WSM2420SAZAA, WSM2420SAZWW  
SUSPENSION ASM



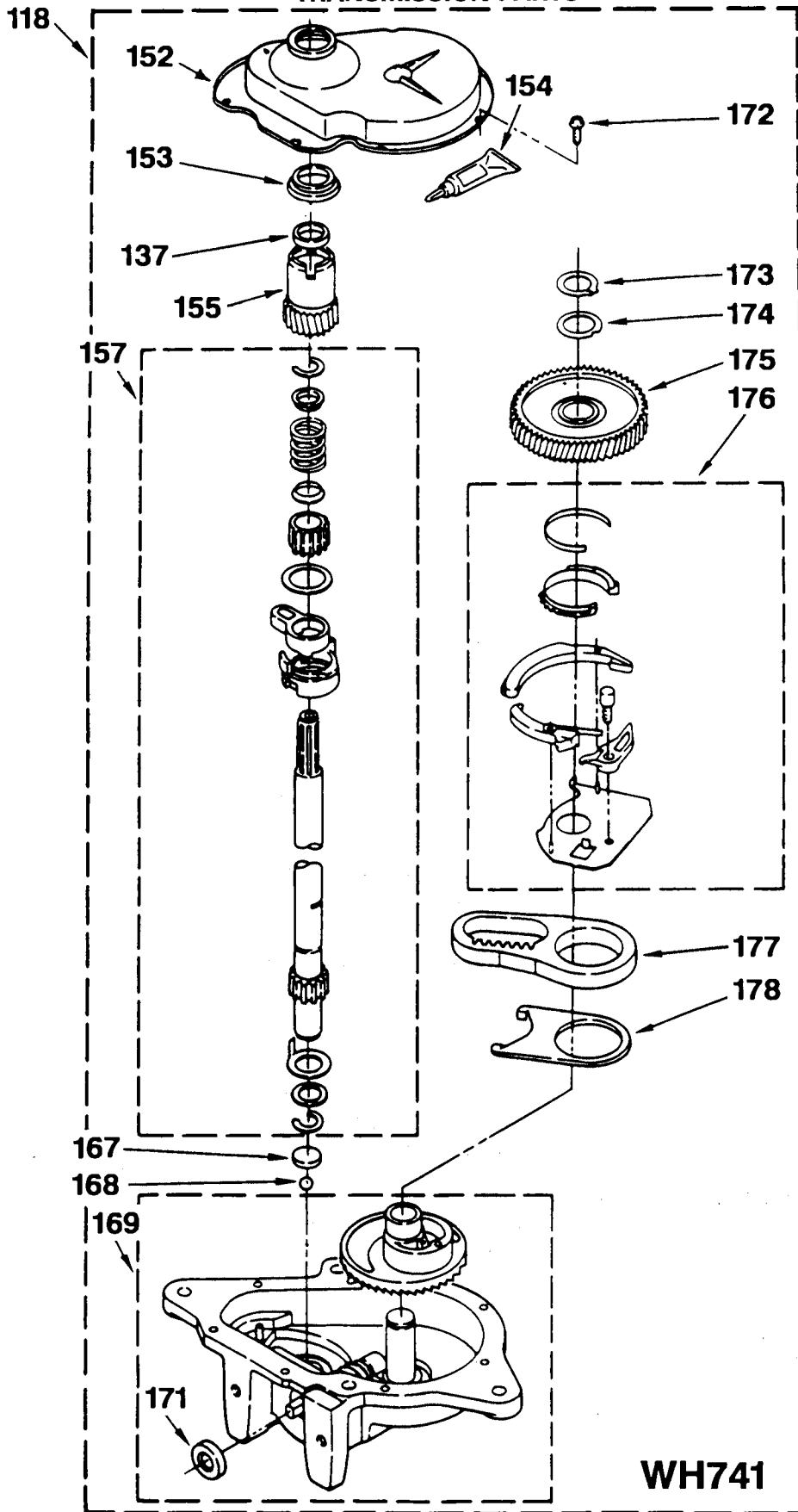
WH742

MODELS WSM2420SAZAA, WSM2420SAZWW  
TUB AND BASKET PARTS

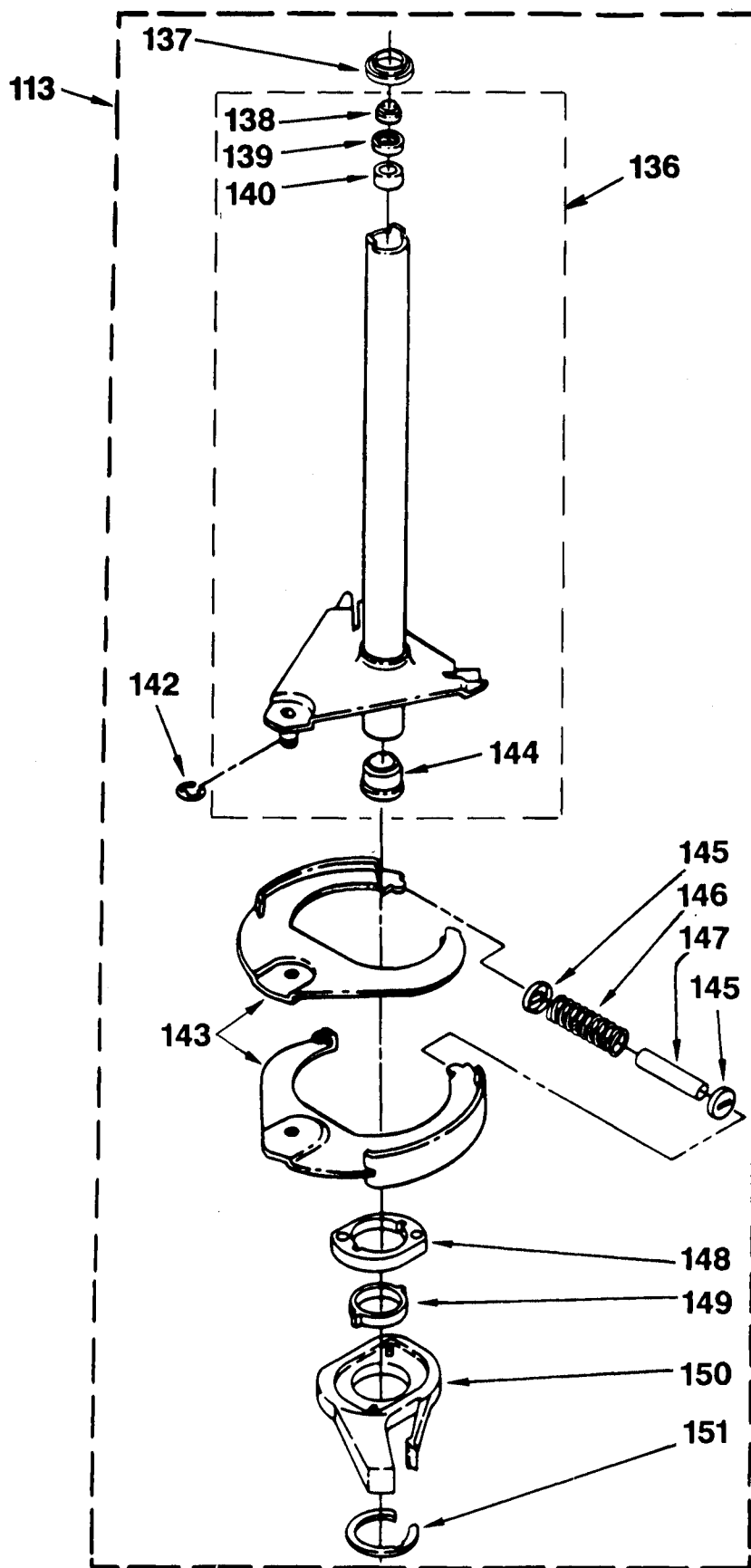


WH741

**MODELS WSM2420SAZAA, WSM2420SAZWW**  
**TRANSMISSION PARTS**



**MODELS WSM2420SAZAA, WSM2420SAZWW**  
**CLUTCH ASM**

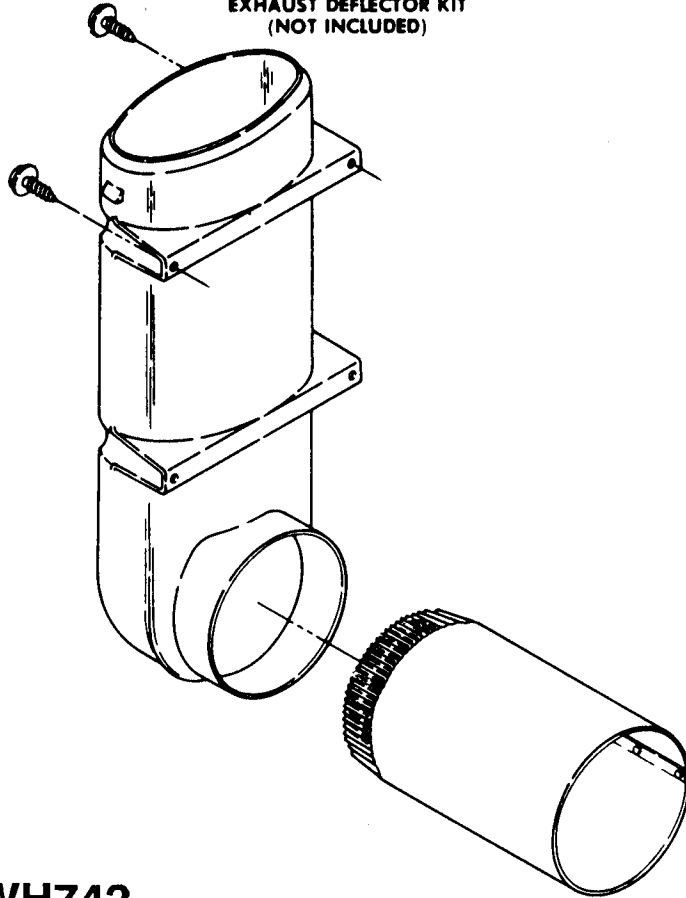


WH742

MODELS WSM2420SAZAA, WSM2420SAZWW  
ACCESSORIES

**WE25X0220**

EXHAUST DEFLECTOR KIT  
(NOT INCLUDED)



**WH742**



W W  
S S  
M M  
2 2  
4 4  
2 2  
0 0  
S S  
A A  
Z Z  
A W  
A W

REF. NO.	PART NO.	PART DESCRIPTION	W	W
1	49-9799	GUIDE, USE & CARE	1	1
	31-2714	MINI-MANUAL	1	1
	31-2653	INSTALL INSTRUCTIONS	1	1
2	NOT STOCKED	SCREW 10-16 X 3/8	2	2
19	WH13X0084	VALVE, WATER	1	1
22	NOT STOCKED	SCREW 10-16 X 1/2	33	33
24	WH01X2662	SIPHON BREAK	1	1
31	WH12X0950	TIMER	1	1
32	WH16X0512	BRACKET, CONTROL	1	1
33	NOT STOCKED	SCREW 6-32 X 3/4	4	4
34	WH02X1158	CLAMP, CAPACITOR	1	1
35	WH12X0952	SWITCH, WATER TEMP	1	1
36	WH42X2313	END CAP	2	2
37	WH12X0949	CAPACITOR, MOTOR	1	1
38	WH12X0951	SWITCH, WATER LEVEL	1	1
39	WH02X1178	SCREW, MOUNTING	12	12
40	WH01X2693	LOCK, CONSOLE	2	2
41	WE02X0381	SCREW, CONS. STRUT	5	5
42	WH02X1159	SCREW, TIMER MNTG	2	2
43	WH42X2315	PANEL, CONTROL AD	1	-
43	WH42X2314	PANEL, CONTROL WH	-	1
44	WH01X2685	BUMPER, CONSOLE	5	5
45	WH01X2683	SLEEVE, SCREW	2	2
46	WH01X2690	DIAL, TIMER AD	1	-
	WH01X2689	DIAL, TIMER WH	-	1
47	WH01X2692	KNOB, TIMER AD	1	-
	WH01X2691	KNOB, TIMER WH	-	1
48	WH01X2684	SPRING, LOCK	2	2
49	WH02X1179	SCREW, CONS LOCK	2	2
50	WH01X2679	KNOB, WATER LVL	-	2
50	WH01X2678	KNOB, WATER LVL	2	-
51	WH01X2666	HANDLE, LID AD	1	-
	WH01X2665	HANDLE, LID	-	1
53	WH44X1157	LID AD	1	-
	WH44X1156	LID	-	1
54	WH01X2667	BUMPER, LID	2	2
55	WH16X0506	HINGE, LID	1	1
56	WH01X2668	PAD, LID HINGE	2	2
57	WH02X1160	SCR, LID HINGE	4	4
59	WH01X2694	CLIP, SPRING	2	2

W W  
S S  
M M  
2 2  
4 4  
2 2  
0 0  
S S  
A A  
Z Z  
A W  
A W

REF. NO.	PART NO.	PART DESCRIPTION	W	W
61	WH01X2670	SPRING & BUTTON	1	1
62	WH44X1161	TOP AD	2	-
	WH44X1160	TOP WH	-	2
63	WH01X2671	BUMPER, LID	2	2
64	WH04X0105	BEARING, LID HNG	2	2
65	WH02X1180	SCREW & WASHER	2	2
66	WH01X2672	STRIKE, LID SW	1	1
67	WH16X0507	HINGE, LID	1	1
71	WH01X2673	SPRING & BUTTON	1	1
72	WH12X0955	SWITCH, LID	1	1
73	NOT STOCKED	CLIP	1	1
76	WH43X0133	CAP, AGITATOR	1	1
77	WH02X1162	SCREW & WASHER	1	1
78	WH45X0144	FILTER, AGITATOR	1	1
79	WH43X0134	AGITATOR	1	1
80	WH45X0145	TUB RING & GASKET	1	1
81	WH02X1163	NUT, SPANNER	1	1
82	WH08X0372	GASKET, TUB RING	1	1
83	WH45X0146	BASKET	1	1
84	WH45X0147	TUB	1	1
85	WH40X0180	BLOCK, DRIVE	1	1
86	WH41X0357	HOSE, PRESS SWITCH	1	1
87	NOT STOCKED	SCREW 10-16X1/2	1	1
88	WH41X0350	HOSE, TUB TO PUMP	1	1
89	WH01X2704	CLIP	2	2
90	WH41X0351	TUBE, DRAIN-OFF	1	1
91	WH02X1164	SCR.& WASHER	4	4
92	WH08X0373	GASKET, CENTERPOST	1	1
96	WH04X0106	BEARINGS, CENTERPOST	1	1
97	WH16X0508	SHIELD, TUB	1	1
98	WH01X2675	SPRING, COUNTERWEIGHT	1	1
99	WH17X0094	SUSPENSION ASM	3	3
100	WH46X0329	BASE	1	1
104	WH08X0374	RING, SOUND DEADNG	1	1
105	WH16X0509	BRACKET, SPRING	1	1
107	WH16X0510	SHIELD, TUB	1	1
108	NOT STOCKED	NUT 1/2 - 13	3	3
109	WH17X0091	SUPPORT, TUB/DRUM	1	1
111	NOT STOCKED	SCREW 10-16	1	1
112	WE02X0388	SCREW, 8A X 3/8	1	1

W W  
S S  
M M  
2 2  
4 4  
2 2  
0 0  
S S  
A A  
Z Z  
A W  
A W

REF. NO.	PART NO.	PART DESCRIPTION	W	W
112	NOT STOCKED	SCREW 10-16 X 1/2	4	4
113	WH38X0054	BRAKE & DRIVE TUBE	1	1
114	WH02X1165	WASHER	1	1
115	WH02X1166	RING, SPIN	1	1
116	WH02X1167	RING, RETAINER	1	1
117	WH39X0047	CLUTCH ASM	1	1
118	WH37X0046	GEARCASE ASM	1	1
120	WH02X1168	SCREW	2	2
121	WH17X0092	PLATE, MOTOR MNT	1	1
123	WH17X0093	COUPLING	1	1
124	WH20X0861	MOTOR & SWITCH	1	1
128	WH23X0080	PUMP	1	1
129	WH01X2676	RETAINER, PUMP	1	1
131	WH02X1169	GROMMET, MOTOR	4	4
132	WH01X2677	RETAINER, MOTOR	2	2
134	NOT STOCKED	SCREW 10-16 X 5/8	2	2
135	WH16X0511	SHIELD, MOTOR	1	1
136	WH40X0182	TUBE, DRIVE	1	1
137	WH02X1171	RING, THRUST	1	1
138	WH08X0375	SEAL, OIL	1	1
139	WH08X0376	SEAL	2	2
140	WH02X1172	SPACER, DRIVE TUBE	1	1
141	WE60X0030	LUBRICANT	1	1
142	WH02X1173	RING, RETAINING	1	1
143	WH07X0121	SHOES, BRAKE	1	1
144	WH04X0107	BEARING, SPIN TUBE	1	1
145	WH01X2680	CAP, BRAKE SPRING	2	2
146	WH01X2681	SPRING, BRAKE	1	1
147	WH01X2682	SLEEVE, BRAKE SPR.	1	1
148	WH05X0246	CAM, BRK RELEASE	1	1
149	WH05X0247	SLEEVE, CAM	1	1
150	WH05X0248	CAM, BRK DRIVER	1	1
151	WH02X1174	RING, RETAINING	1	1
152	WH37X0047	HOUSING, UPR GEARCASE	1	1
153	WH08X0377	SEAL, GEARCASE HSG	1	1
154	WH60X0028	SEALER, GASKET	1	1
155	WH05X0249	PINION, SPIN	1	1
157	WH40X0181	SHAFT ASM, AGITATOR	1	1
167	WH04X0108	BEARING, THRUST	1	1
168	WH04X0109	BEARING, BALL	1	1

W W  
S S  
M M  
2 2  
4 4  
2 2  
0 0  
S S  
A A  
Z Z  
A W  
A W

REF. NO.	PART NO.	PART DESCRIPTION	QTY	QTY
169	WH37X0048	HOUSING, LWR GEARCASE	1	1
171	WH08X0378	SEAL, THRUST PLUG	1	1
172	WH02X1175	SCREW, GEARCASE HSG	8	8
173	WH02X1176	RING, RETAINING	1	1
174	WH02X1177	WASHER, THRUST	1	1
175	WH05X0250	GEAR, SPIN	1	1
176	WH07X0122	NEUTRAL ASM	1	1
177	WH05X0251	RACK, CONNECTING	1	1
178	WH05X0252	ACTUATOR, SHIFT	1	1
199	WH01X2686	CLIP, CONSOLE	1	1
200	WE02X0380	SCREW, 8-32X5/16	2	2
201	WE01X1209	KNOB, DRYER TIMER	1	-
	WE01X1199	KNOB, DRYER TIMER	-	1
202	WH01X2688	KNOB, START AD	1	-
	WH01X2687	KNOB, START WH	-	1
203	WE04X0822	TIMER, DRYER	1	1
204	WH12X0953	SWITCH, START	1	1
205	WH12X0954	BUZZER	1	1
206	WE04X0814	SWITCH, DOOR	1	1
207	WE04X0815	LEVER, DOOR SWITCH	1	1
208	WE20X0777	PANEL, FRONT AD	1	-
	WE20X0776	PANEL, FRONT WH	-	1
209	WE09X0111	SEAL, DOOR	1	1
210	WE10X0327	DOOR, REAR	1	1
211	WE10X0329	DOOR, FRONT AD.	1	-
211	WE10X0328	DOOR, FRONT WH.	-	1
212	WE03X0078	BEARING & SEAL	1	1
213	WE01X1193	CLIP, FELT PAD	2	2
214	WE01X1194	STRIKE, DOOR	1	1
215	WE02X0379	SCREW, DOOR SW.	2	2
216	WE01X1195	CATCH, DOOR	1	1
217	WE01X1196	HANDLE, DOOR WH	-	1
	WE01X1191	HANDLE, DOOR AD	1	-
221	WE01X1198	HINGE & PIN	2	2
226	WE02X0383	CLAMP, MOTOR MNTG	2	2
227	WE17X0049	MOTOR & SWITCH	1	1
229	WE04X0823	RESISTOR & SHIELD	1	1
230	WE13X0201	BRACKET, MOTOR	1	1
231	WE20X0778	PANEL, REAR	1	1
233	WE13X0202	COVER, TERM BLOCK	1	1

W W  
S S  
M M  
2 2  
4 4  
2 2  
0 0  
S S  
A A  
Z Z  
A W  
A W

REF. NO.	PART NO.	PART DESCRIPTION	QTY	UNIT
234	WE20X0780	PANEL, SIDE AD	1	-
	WE20X0779	PANEL, SIDE WH	-	1
235	WE01X1211	PLUG AD	2	-
	WE01X1210	PLUG WH	-	2
237	NOT STOCKED	SCREW 10-24 X 1/2	16	16
238	WE14X0222	ELBOW, UPPER	1	1
239	WE01X1212	CLIP, FRT PANEL	2	2
240	WE01X1213	CLIP, GROUND	2	2
241	WE14X0223	ELBOW, LOWER	1	1
242	WE01X1214	SUPPORT, PROTECTOR	1	1
243	WE01X1215	RESTRAINER, BELT	1	1
244	WE12X0093	BELT, DRIVE	1	1
245	WE12X0094	PULLEY, MOTOR	1	1
246	WE12X0095	IDLER & BRACKET	1	1
247	WE02X0384	NUT, IDLER	1	1
248	WE20X0781	BASE, DRYER	1	1
249	WE02X0385	NUT, PUSH-IN	3	3
250	WE20X0782	COVE, TRANS PANEL BL	1	1
251	WE20X0784	PANEL, TRANSITION AD	1	-
	WE20X0783	PANEL, TRANSITION WH	-	1
252	WE20X0785	TOP, DRYER	1	1
253	WE20X0787	PANEL, RH SIDE AD	1	-
	WE20X0786	PANEL, RH SIDE WH	-	1
254	WE01X1216	LATCH, LID	1	1
255	WE20X0789	CLOSURE AD	1	-
255	WE20X0788	CLOSURE WH	-	1
256	WE02X0386	SCREW & WASHER	3	3
257	WE02X0387	SCREW & WASHER	2	2
260	WE01X1217	CLIP	1	1
261	WE14X0224	AIR DUCT & BRKT	1	1
263	WE04X0824	THERMOSTAT, OPERATING	1	1
264	WE02X0389	SCREW	2	2
265	WE04X0825	BLOCK, TERMINAL	1	1
266	WE02X0390	WASHER	1	1
267	WE01X1218	CLIP	1	1
268	WE11X0097	HEATER BOX	1	1
269	WE11X0098	HEATER ELEMENT	1	1
270	WE09X0112	SEAL	1	1
271	WE16X0029	WHEEL, BLOWER	1	1
272	WE09X0113	SEAL, FAN SCROLL	1	1

W W  
S S  
M M  
2 2  
4 4  
2 2  
0 0  
S S  
A A  
Z Z  
A W  
A W

REF. NO.	PART NO.	PART DESCRIPTION	W	W
273	WE14X0225	FAN SCROLL	1	1
274	WE04X0826	THERMOSTAT, HEATER	1	1
275	WE03X0079	SHAFT, ROLLER R.H.	1	1
276	WE21X0072	DRUM, DRYER	1	1
277	WE03X0080	RING, BEARING	1	1
278	WE21X0073	BAFFLE, DRUM	3	3
279	WE02X0391	SCREW 11-16 X 7/8	6	6
280	WE09X0114	SEAL	1	1
281	WE20X0790	BULKHEAD	1	1
282	WE18X0055	LINT SCREEN	1	1
283	WE18X0056	COVER, LINT SCRIN	1	1
284	WE02X0392	TRI-RING	4	4
285	WE03X0081	SHAFT, ROLLER L.H.	1	1
286	WE03X0082	ROLLER, SUPPORT	2	2
287	WE02X0393	WASHER	4	4
288	NOT STOCKED	NUT 3/8-16	2	2
291	WE08X0046	TERMINAL & NUTS	3	3
292	WE04X0827	HEATER, THERMOSTAT	1	1
293	WE02X0394	SCREW 8-18 X 1/2	2	2
294	WE04X0828	FUSE, THERMAL	1	1
295	WE01X1219	CAP, SCREW	1	1
296	WE01X1220	CLIP	1	1
300	WE13X0203	COVER, CHANNEL	1	1
301	WE13X0204	SUPPORT, DRYER L.H.	1	1
302	WE13X0205	SUPPORT, DRYER R.H.	1	1
304	NOT STOCKED	SCREW 10-16 X 3/8	2	2
305	WH02X1181	CLIP, CONDENSER	2	2
306	WH02X1184	SCREW & WASHER	1	1
307	WH01X2703	BLOCK RESTRAINT	2	2
308	WH41X0353	HOSE, WATER INLET	1	1
309	NOT STOCKED	CABINET AD	1	1
310	WH41X0354	HOSE, DRAIN	1	1
312	WH01X1182	PLUG	1	1
313	WH41X0355	HOSE, CONNECTOR	1	1
314	WH01X2695	CAP, SIPHON BREAK	1	1
315	WH41X0356	HOSE, WATER INLET	1	1
317	WH01X2697	LINK, LEVELING	1	1
318	WH01X2698	CLIP	2	2
320	WH01X2700	LOCK, TOP	2	2
321	WH46X0333	PANEL, FRONT AD	1	-

W W  
S S  
M M  
2 2  
4 4  
2 2  
0 0  
S S  
A A  
Z Z  
A W  
A W

REF. NO.	PART NO.	PART DESCRIPTION		
321	WH46X0332	PANEL, FRONT WH	-	1
322	WH01X2701	FOOT, FRONT	2	2
323	WH01X2702	FOOT, REAR	2	2
	WE25X0220	KIT, EXH. DEFLECT	1	1