



## *Product Information and Technical Guide*

### **2005 Room Air Conditioners**

OPP5K,MS2,Compact 2 and Portable Models

<u>Safe Servicing Practices</u>	<u>4</u>
<u>Window Type Aircon</u>	
<u>Model Specifications</u>	<u>5-35</u>
<u>Wiring Diagrams</u>	<u>36-38</u>
<u>Part List</u>	<u>39</u>
<u>Compressor Overloads</u>	<u>40</u>
<u>Restrictor Tube Data</u>	<u>41</u>
<u>Thermostat Diagrams</u>	<u>42-47</u>
<u>Fan/Blower Diagrams</u>	<u>48-53</u>
<u>Portable Type Aircon</u>	<u>54-58</u>
<u>Troubleshooting</u>	<u>59-61</u>

#### **ATTENTION SERVICERS!**

To get a helping hand, visit the  
Frigidaire Web Site at:

<http://www.frigidaire.com>

User name: service

Password: tips

# TABLE OF CONTENTS

<b>Safe Servicing Practices .....</b>	<b>4</b>
<b>Window Type Air conditioner</b>	
<b>Model Specifications .....</b>	<b>5-35</b>
<b>Wiring Diagrams .....</b>	<b>36-38</b>
2202049172 .....	36
2202049158 .....	36
2202049160 .....	37
2202019177 .....	37
2202019174 .....	38
2202019178 .....	38
<b>Part list .....</b>	<b>39</b>
<b>Compressor Overload Data .....</b>	<b>40</b>
<b>Restrictor Tube Data .....</b>	<b>41</b>
<b>Control Thermostat Location Diagrams .....</b>	<b>42-47</b>
<b>Fan and Blower Location Diagrams .....</b>	<b>48-53</b>
<b>Portable Type Air Conditioner</b>	
<b>Model Specifications .....</b>	<b>54-54A</b>
<b>Wiring Diagrams .....</b>	<b>55</b>
2202509335 .....	55
2202509334 .....	55
<b>Compressor Overload Data .....</b>	<b>56</b>
<b>Restrictor Tube Data .....</b>	<b>56</b>
<b>Part list .....</b>	<b>56</b>
<b>Control Thermostat Location Diagrams .....</b>	<b>57</b>
<b>Fan and Blower Location Diagrams .....</b>	<b>58</b>
<b>Troubleshooting .....</b>	<b>59-61</b>

# **IMPORTANT SAFETY UPDATE**

**Room Air Conditioners manufactured after August 1<sup>st</sup>, 2004 are equipped with a new industry regulated power cord with either of the following in the plug-head or in line:**

**LCDI: Leakage Current Detection Interrupter  
AFCI: Arc-Fault Circuit Interrupter.**

**All Frigidaire products have an LCDI located in the plug head or in-line.**

**The power supply cord contains a current device that senses damage to the power cord. To test your power supply cord does the following:**

- 1. Plug in the Air Conditioner.**
- 2. The power supply cord will have TWO buttons on the plug head. Press the TEST button. You will notice a click as the RESET button pops out.**
- 3. Press the RESET button. Again you will notice a click as the button engages.**
- 4. The power supply cord is now supplying electricity to the unit. (On some products this is also indicated by a light on the plug head).**

## **Notes:**

**Do not use this device to turn the unit on or off.**

**Always make sure the RESET button is pushed in for correct operation.**

**The power supply cord must be replaced if it fails to reset when either the TEST button is pushed, or it cannot be reset. A new one can be obtained from the product manufacturer.**

**If power supply cord is damaged, it CANNOT be repaired, it MUST be replaced by one obtained from the product manufacturer.**

## SAFE SERVICING PRACTICES - ALL APPLIANCES

To avoid personal injury or property damage, it is important that **Safe Servicing Practices** be observed. The following are some limited examples of safe practices.

1. **DO NOT** attempt a product repair if you doubt your ability to complete it in a safe and satisfactory manner.
2. Before servicing or moving an appliance
  - Remove power cord from electrical outlet, trip circuit breaker to **OFF** position, or remove fuse
  - Turn off gas supply
  - Turn off water supply
3. Never interfere with the proper operation of any safety device.
4. **Use only OEM replacement parts cataloged for this appliance. Substitutions may defeat compliance with safety standards set for home appliances.**
5. **GROUNDING:** The standard color coding for safety ground wires is **GREEN**, or **GREEN with YELLOW STRIPES**. **DO NOT** use ground leads as current carrying conductors. It is **EXTREMELY** important that the service technician reestablish all safety grounds prior to completing service. Failure to do so will create an electrical hazard.
6. Prior to returning the product to service, ensure that
  - All electrical connections are correct and secure
  - All electrical leads are properly dressed and secured away from sharp edges, high-temperature components, and moving parts
  - All non-insulated electrical terminals, connectors, heaters, etc. are adequately spaced away from all metal parts and panels
  - All safety grounds (both internal and external) are correctly and securely connected
  - All panels are properly and securely reassembled

### WARNING

This service manual is intended for use by persons having electrical and mechanical training and a level of knowledge of these subjects generally considered acceptable in the appliance repair trade. Electrolux Home Products, Inc. cannot be responsible, nor assume any liability, for injury or damage of any kind arising from the use of this manual.

## FRIGIDAIRE MODEL SPECIFICATIONS

Model	FAX051P7A1	FAX051P7A2	FAX051P7A3	FAX051P7A4	FAX051P7A5
<b>Chassis type</b>	OPP 5K	OPP 5K	OPP 5K	OPP 5K	OPP 5K
<b>Capacity features</b>					
<b>BTU - Cooling</b>	5000	5000	5000	5000	5000
<b>BTU - Heating</b>	-	-	-	-	-
<b>Moisture Removal</b>	0.6	0.6	0.6	0.6	0.6
<b>EER</b>	9.7	9.7	9.7	9.7	9.7
<b>Electrical Information</b>					
<b>Voltage</b>	115	115	115	115	115
<b>Amps - Cooling</b>	5	5	5	5	5
<b>Amps - Heating</b>	-	-	-	-	-
<b>Watts - Cooling</b>	515	515	515	515	515
<b>Watts - Heating</b>	-	-	-	-	-
<b>Fuse/Breaker (Amps)</b>	15	15	15	15	15
<b>Receptacle Type</b>	NEMA 5-15	NEMA 5-15	NEMA 5-15	NEMA 5-15	NEMA 5-15
<b>Power Cord Number</b>	2241999001	2241999001	2241999001	2241999001	2241999001
<b>Power Cord Amps Min</b>	13	13	13	13	13
<b>Wiring Diagram</b>	2202019174	2202019174	2202019174	2202019174	2202019174
<b>Page #</b>	Page 34	Page 34	Page 34	Page 34	Page 34
<b>Air Flow System</b>					
<b>Capacitor-<math>\mu</math> farads</b>	8/250	8/250	8/250	8/250	8/250
<b>Fan Motor Mfg.</b>	Dayang	Welling	Dayang	Welling	Dayang
<b>Fan Motor Number</b>	2240047028	2240047027	2240047028	2240047027	2240047028
<b>RPM/CMP (EVAP)</b>					
<b>High</b>	1350/260	1350/260	1350/260	1350/260	1350/260
<b>Medium</b>	-	-	-	-	-
<b>Low</b>	-	-	-	-	-
<b>Heat Only</b>	-	-	-	-	-
<b>Refrigeration System</b>					
<b>Compressor Mfg.</b>	Richi, Taiwan	Richi, Taiwan	Shenlin, Shanghai	Shenlin, Shanghai	LG, Korea
<b>Compressor Number</b>	39R131ER-14P	39R131ER-14P	SD074SW-P3BD	SD074SW-P3BD	QA075CDE
<b>Compressor Type</b>	Rotary	Rotary	Rotary	Rotary	Rotary
<b>Overload Protector</b>	2140200160	2140200160	2140131240	2140131240	2140162220
<b>Capacitor-<math>\mu</math> farads</b>	35/250	35/250	35/250	35/250	35/250
<b>Refrigerant Charge</b>	10.6	10.6	12	12	12
<b>Restrictor Tube</b>	2162019108	2162019108	2162019113	2162019113	2162019096
<b>Thermostat Type</b>	-	-	-	-	-
<b>Installation Instructions</b>					
<b>Kit Type</b>	2282019011	2282019011	2282019011	2282019011	2282019011
<b>Part Number</b>	Page 35	Page 35	Page 35	Page 35	Page 35
<b>Control Thermostat Location Diagram</b>	-	-	-	-	-
<b>Condenser Fan and Evaporator Blower Location Diagram</b>	Page 46 Page 49	Page 46 Page 49	Page 46 Page 49	Page 46 Page 49	Page 46 Page 49

## FRIGIDAIRE MODEL SPECIFICATIONS

Model	FAX051P7A6	FAX052P7A1	FAX052P7A2	FAX052P7A3	FAX052P7A4
<b>Chassis type</b>	OPP 5K	OPP 5K	OPP 5K	OPP 5K	OPP 5K
<b>Capacity features</b>					
BTU - Cooling	5000	5000	5000	5000	5000
BTU - Heating	-	-	-	-	-
Moisture Removal	0.6	0.6	0.6	0.6	0.6
EER	9.7	9.7	9.7	9.7	9.7
<b>Electrical Information</b>					
Voltage	115	115	115	115	115
Amps - Cooling	5	5	5	5	5
Amps - Heating	-	-	-	-	-
Watts - Cooling	515	515	515	515	515
Watts - Heating	-	-	-	-	-
Fuse/Breaker (Amps)	15	15	15	15	15
Receptacle Type	NEMA 5-15	NEMA 5-15	NEMA 5-15	NEMA 5-15	NEMA 5-15
Power Cord Number	2241999001	2241999001	2241999001	2241999001	2241999001
Power Cord Amps Min	13	13	13	13	13
Wiring Diagram	2202019174	2202019177	2202019177	2202019177	2202019177
Page #	Page 34	Page 33	Page 33	Page 33	Page 33
<b>Air Flow System</b>					
Capacitor- $\mu$ farads	8/250	8/250	8/250	8/250	8/250
Fan Motor Mfg.	Weiling	Dayang	Weiling	Dayang	Weiling
Fan Motor Number	2240047027	2240047030	2240047029	2240047030	2240047029
RPM/CMP (EVAP)					
High	1350/260	1350/260	1350/260	1350/260	1350/260
Medium	-	-	-	-	-
Low	-	1150/220	1150/220	1150/220	1150/220
Heat Only	-	-	-	-	-
<b>Refrigeration System</b>					
Compressor Mfg.	LG, Korea	Richi, Taiwan	Richi, Taiwan	Shenlin, Shanghai	Shenlin, Shanghai
Compressor Number	QA075CDE	39R131ER-14P	39R131ER-14P	SD074SW-P3BD	SD074SW-P3BD
Compressor Type	Rotary	Rotary	Rotary	Rotary	Rotary
Overload Protector	2140162220	2140200160	2140200160	2140131240	2140131240
Capacitor- $\mu$ farads	35/250	35/250	35/250	35/250	35/250
Refrigerant Charge	12	10.6	10.6	12	12
Restrictor Tube	2162019096	2162019108	2162019108	2162019113	2162019113
Thermostat Type	-	Capillary	Capillary	Capillary	Capillary
<b>Installation Instructions</b>					
Kit Type	2282019011	2282019011	2282019011	2282019011	2282019011
Part Number	Page 35	Page 35	Page 35	Page 35	Page 35
<b>Control Thermostat Location Diagram</b>	-	Page 42	Page 42	Page 42	Page 42
<b>Condenser Fan and Evaporator Blower Location Diagram</b>	Page 46 Page 49	Page 46 Page 49	Page 46 Page 49	Page 46 Page 49	Page 46 Page 49

## FRIGIDAIRE MODEL SPECIFICATIONS

Model	FAX052P7A5	FAX052P7A6	FAX054P7A1	FAX054P7A2	FAX054P7A3
<b>Chassis type</b>	OPP 5K	OPP 5K	OPP 5K	OPP 5K	OPP 5K
<b>Capacity features</b>					
BTU - Cooling	5000	5000	5000	5000	5000
BTU - Heating	-	-	-	-	-
Moisture Removal	0.6	0.6	0.6	0.6	0.6
EER	9.7	9.7	9.7	9.7	9.7
<b>Electrical Information</b>					
Voltage	115	115	115	115	115
Amps - Cooling	5	5	5	5	5
Amps - Heating	-	-	-	-	-
Watts - Cooling	515	515	515	515	515
Watts - Heating	-	-	-	-	-
Fuse/Breaker (Amps)	15	15	15	15	15
Receptacle Type	NEMA 5-15	NEMA 5-15	NEMA 5-15	NEMA 5-15	NEMA 5-15
Power Cord Number	2241999001	2241999001	2241999001	2241999001	2241999001
Power Cord Amps Min	13	13	13	13	13
Wiring Diagram	2202019177	2202019177	2202019178	2202019178	2202019178
Page #	Page 33	Page 33	Page 34	Page 34	Page 34
<b>Air Flow System</b>					
Capacitor- $\mu$ farads	8/250	8/250	8/250	8/250	8/250
Fan Motor Mfg.	Dayang	Weiling	Dayang	Weiling	Dayang
Fan Motor Number	2240047030	2240047029	2240047028	2240047027	2240047028
RPM/CMP (EVAP)					
High	1350/260	1350/260	1350/260	1350/260	1350/260
Medium	-	-	-	-	-
Low	1150/220	1150/220	-	-	-
Heat Only	-	-	-	-	-
<b>Refrigeration System</b>					
Compressor Mfg.	LG, Korea	LG, Korea	Richi, Taiwan	Richi, Taiwan	Shenlin, Shanghai
Compressor Number	QA075CDE	QA075CDE	39R131ER-14P	39R131ER-14P	SD074SW-P3BD
Compressor Type	Rotary	Rotary	Rotary	Rotary	Rotary
Overload Protector	2140162220	2140162220	2140200160	2140200160	2140131240
Capacitor- $\mu$ farads	35/250	35/250	35/250	35/250	35/250
Refrigerant Charge	12	12	10.6	10.6	12
Restrictor Tube	2162019096	2162019096	2162019108	2162019108	2162019113
Thermostat Type	Capillary	Capillary	Electronic	Electronic	Electronic
<b>Installation Instructions</b>					
Kit Type	2282019011	2282019011	2282019011	2282019011	2282019011
Part Number	Page 35	Page 35	Page 35	Page 35	Page 35
<b>Control Thermostat Location Diagram</b>	Page 42	Page 42	Page 43	Page 43	Page 43
<b>Condenser Fan and Evaporator Blower Location Diagram</b>	Page 46 Page 49	Page 46 Page 49	Page 46 Page 49	Page 46 Page 49	Page 46 Page 49

## FRIGIDAIRE MODEL SPECIFICATIONS

Model	FAX054P7A4	FAX054P7A5	FAX054P7A6		
<b>Chassis type</b>	OPP 5K	OPP 5K	OPP 5K		
<b>Capacity features</b>					
<b>BTU - Cooling</b>	5000	5000	5000		
<b>BTU - Heating</b>	-	-	-		
<b>Moisture Removal</b>	0.6	0.6	0.6		
<b>EER</b>	9.7	9.7	9.7		
<b>Electrical Information</b>					
<b>Voltage</b>	115	115	115		
<b>Amps - Cooling</b>	5	5	5		
<b>Amps - Heating</b>	-	-	-		
<b>Watts - Cooling</b>	515	515	515		
<b>Watts - Heating</b>	-	-	-		
<b>Fuse/Breaker (Amps)</b>	15	15	15		
<b>Receptacle Type</b>	NEMA 5-15	NEMA 5-15	NEMA 5-15		
<b>Power Cord Number</b>	2241999001	2241999001	2241999001		
<b>Power Cord Amps Min</b>	13	13	13		
<b>Wiring Diagram</b>	2202019178	2202019178	2202019178		
<b>Page #</b>	Page 34	Page 34	Page 34		
<b>Air Flow System</b>					
<b>Capacitor-<math>\mu</math> farads</b>	8/250	8/250	8/250		
<b>Fan Motor Mfg.</b>	Weiling	Dayang	Weiling		
<b>Fan Motor Number</b>	2240047027	2240047028	2240047027		
<b>RPM/CMP (EVAP)</b>					
<b>High</b>	1350/260	1350/260	1350/260		
<b>Medium</b>	-	-	-		
<b>Low</b>	-	-	-		
<b>Heat Only</b>	-	-	-		
<b>Refrigeration System</b>					
<b>Compressor Mfg.</b>	Shenlin, Shanghai	LG, Korea	LG, Korea		
<b>Compressor Number</b>	SD074SW-P3BD	QA075CDE	QA075CDE		
<b>Compressor Type</b>	Rotary	Rotary	Rotary		
<b>Overload Protector</b>	2140131240	2140162220	2140162220		
<b>Capacitor-<math>\mu</math> farads</b>	35/250	35/250	35/250		
<b>Refrigerant Charge</b>	12	12	12		
<b>Restrictor Tube</b>	2162019113	2162019096	2162019096		
<b>Thermostat Type</b>	Electronic	Electronic	Electronic		
<b>Installation Instructions</b>					
<b>Kit Type</b>	2282019011	2282019011	2282019011		
<b>Part Number</b>	Page 35	Page 35	Page 35		
<b>Control Thermostat Location Diagram</b>	Page 43	Page 43	Page 43		
<b>Condenser Fan and Evaporator Blower Location Diagram</b>	Page 46 Page 49	Page 46 Page 49	Page 46 Page 49		



## FRIGIDAIRE MODEL SPECIFICATIONS

Model	FAA053P7A1	FAA053P7A2	FAA053P7A3	FAA053P7A4	FAA053P7A5
<b>Chassis type</b>	MS II	MS II	MS II	MS II	MS II
<b>Capacity features</b>					
BTU - Cooling	5200	5200	5200	5200	5200
BTU - Heating	-	-	-	-	-
Moisture Removal	1.48	1.48	1.48	1.48	1.48
EER	11	11	11	11	11
<b>Electrical Information</b>					
Voltage	115	115	115	115	115
Amps - Cooling	4.5	4.5	4.5	4.5	4.5
Amps - Heating	-	-	-	-	-
Watts - Cooling	475	475	475	475	475
Watts - Heating	-	-	-	-	-
Fuse/Breaker (Amps)	15	15	15	15	15
Receptacle Type	NEMA 5-15	NEMA 5-15	NEMA 5-15	NEMA 5-15	NEMA 5-15
Power Cord Number	2241999001	2241999001	2241999001	2241999001	2241999001
Power Cord Amps Min	13	13	13	13	13
Wiring Diagram	2202049172	2202049172	2202049172	2202049172	2202049172
Page #	Page 32	Page 32	Page 32	Page 32	Page 32
<b>Air Flow System</b>					
Capacitor- $\mu$ farads	6/250	6/250	6/250	6/250	6/250
Fan Motor Mfg.	Dayang	Welling	Dayang	Welling	Dayang
Fan Motor Number	2240047013	2240047012	2240047013	2240047012	2240047013
RPM/CMP (EVAP)					
High	1100/320	1100/320	1100/320	1100/320	1100/320
Medium	970/260	970/260	970/260	970/260	970/260
Low	850/210	850/210	850/210	850/210	850/210
Heat Only	-	-	-	-	-
<b>Refrigeration System</b>					
Compressor Mfg.	Richi, Taiwan	Shenlin, Shanghai	Shenlin, Shanghai	Richi, Taiwan	Richi, Taiwan
Compressor Number	39R131ER-14P	SD074SW-P3BD	SD074SW-P3BD	39R131ER-04P	39R131ER-04P
Compressor Type	Rotary	Rotary	Rotary	Rotary	Rotary
Overload Protector	2140200160	2140131240	2140131240	2140200130	2140200130
Capacitor- $\mu$ farads	35/250	35/250	35/250	35/250	35/250
Refrigerant Charge	12.7	12.3	12.3	12.7	12.7
Restrictor Tube	2162029047	2162019015	2162019015	2162029047	2162029047
Thermostat Type	Capillary	Capillary	Capillary	Capillary	Capillary
<b>Installation Instructions</b>					
Kit Type	2282019010	2282019010	2282019010	2282019010	2282019010
Part Number	Page 35	Page 35	Page 35	Page 35	Page 35
<b>Control Thermostat Location Diagram</b>	Page 36	Page 36	Page 36	Page 36	Page 36
<b>Condenser Fan and Evaporator Blower Location Diagram</b>	Page 44 Page 47	Page 44 Page 47	Page 44 Page 47	Page 44 Page 47	Page 44 Page 47

## FRIGIDAIRE MODEL SPECIFICATIONS

Model	FAA053P7A6	FAA053P7A7	FAA053P7A8	FAA055P7A1	FAA055P7A2
<b>Chassis type</b>	MS II	MS II	MS II	MS II	MS II
<b>Capacity features</b>					
<b>BTU - Cooling</b>	5200	5200	5200	5200	5200
<b>BTU - Heating</b>	-	-	-	-	-
<b>Moisture Removal</b>	1.48	1.48	1.48	1.48	1.48
<b>EER</b>	11	11	11	11	11
<b>Electrical Information</b>					
<b>Voltage</b>	115	115	115	115	115
<b>Amps - Cooling</b>	4.5	4.5	4.5	4.5	4.5
<b>Amps - Heating</b>	-	-	-	-	-
<b>Watts - Cooling</b>	475	475	475	475	475
<b>Watts - Heating</b>	-	-	-	-	-
<b>Fuse/Breaker (Amps)</b>	15	15	15	15	15
<b>Receptacle Type</b>	NEMA 5-15	NEMA 5-15	NEMA 5-15	NEMA 5-15	NEMA 5-15
<b>Power Cord Number</b>	2241999001	2241999001	2241999001	2241999001	2241999001
<b>Power Cord Amps Min</b>	13	13	13	13	13
<b>Wiring Diagram</b>	2202049172	2202049172	2202049172	2202049158	2202049158
<b>Page #</b>	Page 32	Page 32	Page 32	Page 32	Page 32
<b>Air Flow System</b>					
<b>Capacitor-<math>\mu</math> farads</b>	6/250	6/250	6/250	6/250	6/250
<b>Fan Motor Mfg.</b>	Welling	Dayang	Welling	Dayang	Welling
<b>Fan Motor Number</b>	2240047012	2240047013	2240047012	2240047015	2240047014
<b>RPM/CMP (EVAP)</b>					
<b>High</b>	1100/320	1100/320	1100/320	1100/320	1100/320
<b>Medium</b>	970/260	970/260	970/260	-	-
<b>Low</b>	850/210	850/210	850/210	-	-
<b>Heat Only</b>	-	-	-	-	-
<b>Refrigeration System</b>					
<b>Compressor Mfg.</b>	Shenlin, Shanghai	Shenlin, Shanghai	Richi, Taiwan	Richi, Taiwan	Shenlin, Shanghai
<b>Compressor Number</b>	SD074SW-P3BG	SD074SW-P3BG	39R131ER-14P	39R131ER-14P	SD074SW-P3BD
<b>Compressor Type</b>	Rotary	Rotary	Rotary	Rotary	Rotary
<b>Overload Protector</b>	2140131210	2140131210	2140200160	2140200160	2140131240
<b>Capacitor-<math>\mu</math> farads</b>	35/250	35/250	35/250	35/250	35/250
<b>Refrigerant Charge</b>	12.3	12.3	12.7	12.7	12.3
<b>Restrictor Tube</b>	2162019015	2162019015	2162029047	2162029047	2162019015
<b>Thermostat Type</b>	Capillary	Capillary	Capillary	Electronic	Electronic
<b>Installation Instructions</b>					
<b>Kit Type</b>	2282019010	2282019010	2282019010	2282019010	2282019010
<b>Part Number</b>	Page 35	Page 35	Page 35	Page 35	Page 35
<b>Control Thermostat Location</b>					
<b>Diagram</b>	Page 38	Page 38	Page 38	Page 38	Page 38
<b>Condenser Fan and Evaporator Blower Location</b>					
<b>Diagram</b>	Page 44 Page 47	Page 44 Page 47	Page 44 Page 47	Page 44 Page 47	Page 44 Page 47

## FRIGIDAIRE MODEL SPECIFICATIONS

Model	FAA055P7A3	FAA055P7A4	FAA055P7A5	FAA055P7A6	FAA055P7A7
<b>Chassis type</b>	MS II	MS II	MS II	MS II	MS II
<b>Capacity features</b>					
<b>BTU - Cooling</b>	5200	5200	5200	5200	5200
<b>BTU - Heating</b>	-	-	-	-	-
<b>Moisture Removal</b>	1.48	1.48	1.48	1.48	1.48
<b>EER</b>	11	11	11	11	11
<b>Electrical Information</b>					
<b>Voltage</b>	115	115	115	115	115
<b>Amps - Cooling</b>	4.5	4.5	4.5	4.5	4.5
<b>Amps - Heating</b>	-	-	-	-	-
<b>Watts - Cooling</b>	475	475	475	475	475
<b>Watts - Heating</b>	-	-	-	-	-
<b>Fuse/Breaker (Amps)</b>	15	15	15	15	15
<b>Receptacle Type</b>	NEMA 5-15	NEMA 5-15	NEMA 5-15	NEMA 5-15	NEMA 5-15
<b>Power Cord Number</b>	2241999001	2241999001	2241999001	2241999001	2241999001
<b>Power Cord Amps Min</b>	13	13	13	13	13
<b>Wiring Diagram</b>	2202049158	2202049158	2202049158	2202049158	2202049158
<b>Page #</b>	Page 32	Page 32	Page 32	Page 32	Page 32
<b>Air Flow System</b>					
<b>Capacitor-<math>\mu</math> farads</b>	6/250	6/250	6/250	6/250	6/250
<b>Fan Motor Mfg.</b>	Dayang	Welling	Dayang	Welling	Dayang
<b>Fan Motor Number</b>	2240047015	2240047014	2240047015	2240047014	2240047015
<b>RPM/CMP (EVAP)</b>					
<b>High</b>	1100/320	1100/320	1100/320	1100/320	1100/320
<b>Medium</b>	-	-	-	-	-
<b>Low</b>	-	-	-	-	-
<b>Heat Only</b>	-	-	-	-	-
<b>Refrigeration System</b>					
<b>Compressor Mfg.</b>	Shenlin, Shanghai	Richi, Taiwan	Richi, Taiwan	Shenlin, Shanghai	Shenlin, Shanghai
<b>Compressor Number</b>	SD074SW-P3BD	39R131ER-04P	39R131ER-04P	SD074SW-P3BG	SD074SW-P3BG
<b>Compressor Type</b>	Rotary	Rotary	Rotary	Rotary	Rotary
<b>Overload Protector</b>	2140131240	2140200130	2140200130	2140131210	2140131210
<b>Capacitor-<math>\mu</math> farads</b>	35/250	35/250	35/250	35/250	35/250
<b>Refrigerant Charge</b>	12.3	12.7	12.7	12.3	12.3
<b>Restrictor Tube</b>	2162019015	2162029047	2162029047	2162019015	2162019015
<b>Thermostat Type</b>	Electronic	Electronic	Electronic	Electronic	Electronic
<b>Installation Instructions</b>					
<b>Kit Type</b>	2282019010	2282019010	2282019010	2282019010	2282019010
<b>Part Number</b>	Page 35	Page 35	Page 35	Page 35	Page 35
<b>Control Thermostat Location Diagram</b>	Page 39	Page 39	Page 39	Page 39	Page 39
<b>Condenser Fan and Evaporator Blower Location Diagram</b>	Page 44 Page 47	Page 44 Page 47	Page 44 Page 47	Page 44 Page 47	Page 44 Page 47

## FRIGIDAIRE MODEL SPECIFICATIONS

Model	FAA055P7A8	FAA056P7A1	FAA056P7A2	FAA056P7A3	FAA056P7A4
<b>Chassis type</b>	MS II	MS II	MS II	MS II	MS II
<b>Capacity features</b>					
<b>BTU - Cooling</b>	5200	5200	5200	5200	5200
<b>BTU - Heating</b>	-	-	-	-	-
<b>Moisture Removal</b>	1.48	1.48	1.48	1.48	1.48
<b>EER</b>	11	11	11	11	11
<b>Electrical Information</b>					
<b>Voltage</b>	115	115	115	115	115
<b>Amps - Cooling</b>	4.5	4.5	4.5	4.5	4.5
<b>Amps - Heating</b>	-	-	-	-	-
<b>Watts - Cooling</b>	475	475	475	475	475
<b>Watts - Heating</b>	-	-	-	-	-
<b>Fuse/Breaker (Amps)</b>	15	15	15	15	15
<b>Receptacle Type</b>	NEMA 5-15	NEMA 5-15	NEMA 5-15	NEMA 5-15	NEMA 5-15
<b>Power Cord Number</b>	2241999001	2241999001	2241999001	2241999001	2241999001
<b>Power Cord Amps Min</b>	13	13	13	13	13
<b>Wiring Diagram</b>	2202049158	2202049158	2202049158	2202049158	2202049158
<b>Page #</b>	Page 32	Page 32	Page 32	Page 32	Page 32
<b>Air Flow System</b>					
<b>Capacitor-<math>\mu</math> farads</b>	6/250	6/250	6/250	6/250	6/250
<b>Fan Motor Mfg.</b>	Welling	Dayang	Welling	Dayang	Welling
<b>Fan Motor Number</b>	2240047014	2240047015	2240047014	2240047015	2240047014
<b>RPM/CMP (EVAP)</b>					
<b>High</b>	1100/320	1100/320	1100/320	1100/320	1100/320
<b>Medium</b>	-	-	-	-	-
<b>Low</b>	-	-	-	-	-
<b>Heat Only</b>	-	-	-	-	-
<b>Refrigeration System</b>					
<b>Compressor Mfg.</b>	Richi, Taiwan	Richi, Taiwan	Shenlin, Shanghai	Shenlin, Shanghai	Richi, Taiwan
<b>Compressor Number</b>	39R131ER-14P	39R131ER-14P	SD074SW-P3BD	SD074SW-P3BD	39R131ER-04P
<b>Compressor Type</b>	Rotary	Rotary	Rotary	Rotary	Rotary
<b>Overload Protector</b>	2140200160	2140200160	2140131240	2140131240	2140200130
<b>Capacitor-<math>\mu</math> farads</b>	35/250	35/250	35/250	35/250	35/250
<b>Refrigerant Charge</b>	12.7	12.7	12.3	12.3	12.7
<b>Restrictor Tube</b>	2162029047	2162029047	2162019015	2162019015	2162029047
<b>Thermostat Type</b>	Electronic	Electronic	Electronic	Electronic	Electronic
<b>Installation Instructions</b>					
<b>Kit Type</b>	2282019010	2282019010	2282019010	2282019010	2282019010
<b>Part Number</b>	Page 35	Page 35	Page 35	Page 35	Page 35
<b>Control Thermostat Location</b>					
<b>Diagram</b>	Page 39	Page 39	Page 39	Page 39	Page 39
<b>Condenser Fan and</b>	Page 44	Page 44	Page 44	Page 44	Page 44
<b>Evaporator Blower Location</b>	Page 47	Page 47	Page 47	Page 47	Page 47
<b>Diagram</b>					

## FRIGIDAIRE MODEL SPECIFICATIONS

Model	FAA056P7A5	FAA056P7A6	FAA056P7A7	FAA056P7A8	
<b>Chassis type</b>	MS II	MS II	MS II	MS II	
<b>Capacity features</b>					
BTU - Cooling	5200	5200	5200	5200	
BTU - Heating	-	-	-	-	
Moisture Removal	1.48	1.48	1.48	1.48	
EER	11	11	11	11	
<b>Electrical Information</b>					
Voltage	115	115	115	115	
Amps - Cooling	4.5	4.5	4.5	4.5	
Amps - Heating	-	-	-	-	
Watts - Cooling	475	475	475	475	
Watts - Heating	-	-	-	-	
Fuse/Breaker (Amps)	15	15	15	15	
Receptacle Type	NEMA 5-15	NEMA 5-15	NEMA 5-15	NEMA 5-15	
Power Cord Number	2241999001	2241999001	2241999001	2241999001	
Power Cord Amps Min	13	13	13	13	
Wiring Diagram	2202049158	2202049158	2202049158	2202049158	
Page #	Page 32	Page 32	Page 32	Page 32	
<b>Air Flow System</b>					
Capacitor- $\mu$ farads	6/250	6/250	6/250	6/250	
Fan Motor Mfg.	Dayang	Welling	Dayang	Welling	
Fan Motor Number	2240047015	2240047014	2240047015	2240047014	
RPM/CMP (EVAP)					
High	1100/320	1100/320	1100/320	1100/320	
Medium	-	-	-	-	
Low	-	-	-	-	
Heat Only	-	-	-	-	
<b>Refrigeration System</b>					
Compressor Mfg.	Richi, Taiwan	Shenlin, Shanghai	Shenlin, Shanghai	Richi, Taiwan	
Compressor Number	39R131ER-04P	SD074SW-P3BG	SD074SW-P3BG	39R131ER-14P	
Compressor Type	Rotary	Rotary	Rotary	Rotary	
Overload Protector	2140200130	2140131210	2140131210	2140200160	
Capacitor- $\mu$ farads	35/250	35/250	35/250	35/250	
Refrigerant Charge	12.7	12.3	12.3	12.7	
Restrictor Tube	2162029047	2162019015	2162019015	2162029047	
Thermostat Type	Electronic	Electronic	Electronic	Electronic	
<b>Installation Instructions</b>					
Kit Type	2282019010	2282019010	2282019010	2282019010	
Part Number	Page 35	Page 35	Page 35	Page 35	
<b>Control Thermostat Location Diagram</b>	Page 39	Page 39	Page 39	Page 39	
<b>Condenser Fan and Evaporator Blower Location Diagram</b>	Page 44 Page 47	Page 44 Page 47	Page 44 Page 47	Page 44 Page 47	

## FRIGIDAIRE MODEL SPECIFICATIONS

Model	FAA062P7A1	FAA062P7A2	FAA062P7A3	FAA062P7A4	FAA063P7A1
<b>Chassis type</b>	MS II	MS II	MS II	MS II	MS II
<b>Capacity features</b>					
BTU - Cooling	6000	6000	6000	6000	6000
BTU - Heating	-	-	-	-	-
Moisture Removal	1.9	1.9	1.9	1.9	1.9
EER	9.7	9.7	9.7	9.7	10.7
<b>Electrical Information</b>					
Voltage	115	115	115	115	115
Amps - Cooling	5.5	5.5	5.5	5.5	4.9
Amps - Heating	-	-	-	-	-
Watts - Cooling	620	620	620	620	560
Watts - Heating	-	-	-	-	-
Fuse/Breaker (Amps)	15	15	15	15	15
Receptacle Type	NEMA 5-15	NEMA 5-15	NEMA 5-15	NEMA 5-15	NEMA 5-15
Power Cord Number	2241999001	2241999001	2241999001	2241999001	2241999001
Power Cord Amps Min	13	13	13	13	13
Wiring Diagram	2202049172	2202049172	2202049172	2202049172	2202049172
Page #	Page 32	Page 32	Page 32	Page 32	Page 32
<b>Air Flow System</b>					
Capacitor- $\mu$ farads	6/250	6/250	6/250	6/250	6/250
Fan Motor Mfg.	Dayang	Welling	Dayang	Welling	Dayang
Fan Motor Number	2240047013	2240047012	2240047013	2240047012	2240047013
RPM/CMP (EVAP)					
High	1100/270	1100/270	1100/270	1100/270	1100/270
Medium	970/240	970/240	970/240	970/240	970/240
Low	850/170	850/170	850/170	850/170	850/170
Heat Only	-	-	-	-	-
<b>Refrigeration System</b>					
Compressor Mfg.	Richi, Taiwan	Shenlin, Shanghai	Shenlin, Shanghai	Richi, Taiwan	Richi, Taiwan
Compressor Number	39R141BD-04P	SD086UW-P3BG	SD086UW-P3BG	39R141BD-04P	39R141BD-04P
Compressor Type	Rotary	Rotary	Rotary	Rotary	Rotary
Overload Protector	2140200150	2140131220	2140131220	2140200150	2140200150
Capacitor- $\mu$ farads	40/250	40/250	40/250	40/250	40/250
Refrigerant Charge	9.5	9.5	9.5	9.5	12.7
Restrictor Tube	2162029047	2162029047	2162029047	2162029047	2162029047
Thermostat Type	Capillary	Capillary	Capillary	Capillary	Capillary
<b>Installation Instructions</b>					
Kit Type	2282019010	2282019010	2282019010	2282019010	2282019010
Part Number	Page 35	Page 35	Page 35	Page 35	Page 35
<b>Control Thermostat Location Diagram</b>	Page 38	Page 38	Page 38	Page 38	Page 38
<b>Condenser Fan and Evaporator Blower Location Diagram</b>	Page 44 Page 47	Page 44 Page 47	Page 44 Page 47	Page 44 Page 47	Page 44 Page 47

## FRIGIDAIRE MODEL SPECIFICATIONS

Model	FAA063P7A2	FAA063P7A3	FAA063P7A4	FAA064P7A1	FAA064P7A2
<b>Chassis type</b>	MS II	MS II	MS II	MS II	MS II
<b>Capacity features</b>					
<b>BTU - Cooling</b>	6000	6000	6000	6000	6000
<b>BTU - Heating</b>	-	-	-	-	-
<b>Moisture Removal</b>	1.9	1.9	1.9	1.9	1.9
<b>EER</b>	10.7	10.7	10.7	9.7	9.7
<b>Electrical Information</b>					
<b>Voltage</b>	115	115	115	115	115
<b>Amps - Cooling</b>	4.9	4.9	4.9	5.5	5.5
<b>Amps - Heating</b>	-	-	-	-	-
<b>Watts - Cooling</b>	560	560	560	620	620
<b>Watts - Heating</b>	-	-	-	-	-
<b>Fuse/Breaker (Amps)</b>	15	15	15	15	15
<b>Receptacle Type</b>	NEMA 5-15	NEMA 5-15	NEMA 5-15	NEMA 5-15	NEMA 5-15
<b>Power Cord Number</b>	2241999001	2241999001	2241999001	2241999001	2241999001
<b>Power Cord Amps Min</b>	13	13	13	13	13
<b>Wiring Diagram</b>	2202049172	2202049172	2202049172	2202049160	2202049160
<b>Page #</b>	Page 32	Page 32	Page 32	Page 33	Page 33
<b>Air Flow System</b>					
<b>Capacitor-<math>\mu</math> farads</b>	6/250	6/250	6/250	6/250	6/250
<b>Fan Motor Mfg.</b>	Welling	Dayang	Welling	Dayang	Welling
<b>Fan Motor Number</b>	2240047012	2240047013	2240047012	2240047015	2240047014
<b>RPM/CMP (EVAP)</b>					
<b>High</b>	1100/270	1100/270	1100/270	1100/270	1100/270
<b>Medium</b>	970/240	970/240	970/240	-	-
<b>Low</b>	850/170	850/170	850/170	-	-
<b>Heat Only</b>	-	-	-	-	-
<b>Refrigeration System</b>					
<b>Compressor Mfg.</b>	Shenlin, Shanghai	Shenlin, Shanghai	Richi, Taiwan	Richi, Taiwan	Shenlin, Shanghai
<b>Compressor Number</b>	SD086UW-P3BG	SD086UW-P3BG	39R141BD-04P	39R141BD-04P	SD086UW-P3BG
<b>Compressor Type</b>	Rotary	Rotary	Rotary	Rotary	Rotary
<b>Overload Protector</b>	2140131220	2140131220	2140200150	2140200150	2140131220
<b>Capacitor-<math>\mu</math> farads</b>	40/250	40/250	40/250	40/250	40/250
<b>Refrigerant Charge</b>	12.7	12.7	12.7	9.5	9.5
<b>Restrictor Tube</b>	2162029047	2162029047	2162029047	2162029047	2162029047
<b>Thermostat Type</b>	Capillary	Capillary	Capillary	Electronic	Electronic
<b>Installation Instructions</b>					
<b>Kit Type</b>	2282019010	2282019010	2282019010	2282019010	2282019010
<b>Part Number</b>	Page 35	Page 35	Page 35	Page 35	Page 35
<b>Control Thermostat Location Diagram</b>	Page 38	Page 38	Page 38	Page 39	Page 39
<b>Condenser Fan and Evaporator Blower Location Diagram</b>	Page 44 Page 47	Page 44 Page 47	Page 44 Page 47	Page 44 Page 47	Page 44 Page 47

## FRIGIDAIRE MODEL SPECIFICATIONS

Model	FAA064P7A3	FAA064P7A4	FAA065P7A1	FAA065P7A2	FAA065P7A3
<b>Chassis type</b>	MS II	MS II	MS II	MS II	MS II
<b>Capacity features</b>					
BTU - Cooling	6000	6000	6000	6000	6000
BTU - Heating	-	-	-	-	-
Moisture Removal	1.9	1.9	1.9	1.9	1.9
EER	9.7	9.7	10.7	10.7	10.7
<b>Electrical Information</b>					
Voltage	115	115	115	115	115
Amps - Cooling	5.5	5.5	4.9	4.9	4.9
Amps - Heating	-	-	-	-	-
Watts - Cooling	620	620	560	560	560
Watts - Heating	-	-	-	-	-
Fuse/Breaker (Amps)	15	15	15	15	15
Receptacle Type	NEMA 5-15	NEMA 5-15	NEMA 5-15	NEMA 5-15	NEMA 5-15
Power Cord Number	2241999001	2241999001	2241999001	2241999001	2241999001
Power Cord Amps Min	13	13	13	13	13
Wiring Diagram	2202049160	2202049160	2202049158	2202049158	2202049158
Page #	Page 33	Page 33	Page 32	Page 32	Page 32
<b>Air Flow System</b>					
Capacitor- $\mu$ farads	6/250	6/250	6/250	6/250	6/250
Fan Motor Mfg.	Dayang	Welling	Dayang	Welling	Dayang
Fan Motor Number	2240047015	2240047014	2240047015	2240047014	2240047015
RPM/CMP (EVAP)					
High	1100/270	1100/270	1100/270	1100/270	1100/270
Medium	-	-	-	-	-
Low	-	-	-	-	-
Heat Only	-	-	-	-	-
<b>Refrigeration System</b>					
Compressor Mfg.	Shenlin, Shanghai	Richi, Taiwan	Richi, Taiwan	Shenlin, Shanghai	Shenlin, Shanghai
Compressor Number	SD086UW-P3BG	39R141BD-04P	39R141BD-04P	SD086UW-P3BG	SD086UW-P3BG
Compressor Type	Rotary	Rotary	Rotary	Rotary	Rotary
Overload Protector	2140131220	2140200150	2140200150	2140131220	2140131220
Capacitor- $\mu$ farads	40/250	40/250	40/250	40/250	40/250
Refrigerant Charge	9.5	9.5	12.7	12.7	12.7
Restrictor Tube	2162029047	2162029047	2162029047	2162029047	2162029047
Thermostat Type	Electronic	Electronic	Electronic	Electronic	Electronic
<b>Installation Instructions</b>					
Kit Type	2282019010	2282019010	2282019010	2282019010	2282019010
Part Number	Page 35	Page 35	Page 35	Page 35	Page 35
<b>Control Thermostat Location Diagram</b>	Page 39	Page 39	Page 39	Page 39	Page 39
<b>Condenser Fan and Evaporator Blower Location Diagram</b>	Page 44 Page 47	Page 44 Page 47	Page 44 Page 47	Page 44 Page 47	Page 44 Page 47



## FRIGIDAIRE MODEL SPECIFICATIONS

Model	FAA065P7A4	FAA066P7A1	FAA066P7A2	FAA066P7A3	FAA066P7A4
<b>Chassis type</b>	MS II	MS II	MS II	MS II	MS II
<b>Capacity features</b>					
BTU - Cooling	6000	6000	6000	6000	6000
BTU - Heating	-	-	-	-	-
Moisture Removal	1.9	1.9	1.9	1.9	1.9
EER	10.7	10.7	10.7	10.7	10.7
<b>Electrical Information</b>					
Voltage	115	115	115	115	115
Amps - Cooling	4.9	4.9	4.9	4.9	4.9
Amps - Heating	-	-	-	-	-
Watts - Cooling	560	560	560	560	560
Watts - Heating	-	-	-	-	-
Fuse/Breaker (Amps)	15	15	15	15	15
Receptacle Type	NEMA 5-15	NEMA 5-15	NEMA 5-15	NEMA 5-15	NEMA 5-15
Power Cord Number	2241999001	2241999001	2241999001	2241999001	2241999001
Power Cord Amps Min	13	13	13	13	13
Wiring Diagram	2202049158	2202049158	2202049158	2202049158	2202049158
Page #	Page 32	Page 32	Page 32	Page 32	Page 32
<b>Air Flow System</b>					
Capacitor- $\mu$ farads	6/250	6/250	6/250	6/250	6/250
Fan Motor Mfg.	Welling	Dayang	Welling	Dayang	Welling
Fan Motor Number	2240047014	2240047015	2240047014	2240047015	2240047014
RPM/CMP (EVAP)					
High	1100/270	1100/270	1100/270	1100/270	1100/270
Medium	-	-	-	-	-
Low	-	-	-	-	-
Heat Only	-	-	-	-	-
<b>Refrigeration System</b>					
Compressor Mfg.	Richi, Taiwan	Richi, Taiwan	Shenlin, Shanghai	Shenlin, Shanghai	Richi, Taiwan
Compressor Number	39R141BD-04P	39R141BD-04P	SD086UW-P3BG	SD086UW-P3BG	39R141BD-04P
Compressor Type	Rotary	Rotary	Rotary	Rotary	Rotary
Overload Protector	2140200150	2140200150	2140131220	2140131220	2140200150
Capacitor- $\mu$ farads	40/250	40/250	40/250	40/250	40/250
Refrigerant Charge	12.7	12.7	12.7	12.7	12.7
Restrictor Tube	2162029047	2162029047	2162029047	2162029047	2162029047
Thermostat Type	Electronic	Electronic	Electronic	Electronic	Electronic
<b>Installation Instructions</b>					
Kit Type	2282019010	2282019010	2282019010	2282019010	2282019010
Part Number	Page 35	Page 35	Page 35	Page 35	Page 35
<b>Control Thermostat Location Diagram</b>	Page 39	Page 39	Page 39	Page 39	Page 39
<b>Condenser Fan and Evaporator Blower Location Diagram</b>	Page 44 Page 47	Page 44 Page 47	Page 44 Page 47	Page 44 Page 47	Page 44 Page 47

## FRIGIDAIRE MODEL SPECIFICATIONS

Model	FAA067P7A1	FAA067P7A2	FAA067P7A3	FAA067P7A4	FAA067P7A5
<b>Chassis type</b>	MS II	MS II	MS II	MS II	MS II
<b>Capacity features</b>					
BTU - Cooling	6000	6000	6000	6000	6000
BTU - Heating	-	-	-	-	-
Moisture Removal	1.9	1.9	1.9	1.9	1.9
EER	10.7	10.7	10.7	10.7	10.7
<b>Electrical Information</b>					
Voltage	115	115	115	115	115
Amps - Cooling	4.9	4.9	4.9	4.9	4.9
Amps - Heating	-	-	-	-	-
Watts - Cooling	560	560	560	560	560
Watts - Heating	-	-	-	-	-
Fuse/Breaker (Amps)	15	15	15	15	15
Receptacle Type	NEMA 5-15	NEMA 5-15	NEMA 5-15	NEMA 5-15	NEMA 5-15
Power Cord Number	2241999001	2241999001	2241999001	2241999001	2241999001
Power Cord Amps Min	13	13	13	13	13
Wiring Diagram	2202049160	2202049160	2202049160	2202049160	2202049160
Page #	Page 33	Page 33	Page 33	Page 33	Page 33
<b>Air Flow System</b>					
Capacitor- $\mu$ farads	6/250	6/250	6/250	6/250	6/250
Fan Motor Mfg.	Dayang	Welling	Dayang	Welling	Welling
Fan Motor Number	2240047015	2240047014	2240047015	2240047014	2240047014
RPM/CMP (EVAP)					
High	1100/270	1100/270	1100/270	1100/270	1100/270
Medium	-	-	-	-	-
Low	-	-	-	-	-
Heat Only	-	-	-	-	-
<b>Refrigeration System</b>					
Compressor Mfg.	Richi, Taiwan	Shenlin, Shanghai	Shenlin, Shanghai	Richi, Taiwan	LG, Korea
Compressor Number	39R141BD-04P	SD086UW-P3BG	SD086UW-P3BG	39R141BD-04P	QA084CAA
Compressor Type	Rotary	Rotary	Rotary	Rotary	Rotary
Overload Protector	2140200150	2140131220	2140131220	2140200150	2140160370
Capacitor- $\mu$ farads	40/250	40/250	40/250	40/250	40/250
Refrigerant Charge	12.7	12.7	12.7	12.7	12.7
Restrictor Tube	2162029047	2162029047	2162029047	2162029047	2162029047
Thermostat Type	Electronic	Electronic	Electronic	Electronic	Electronic
<b>Installation Instructions</b>					
Kit Type	2282019010	2282019010	2282019010	2282019010	2282019010
Part Number	Page 35	Page 35	Page 35	Page 35	Page 35
<b>Control Thermostat Location Diagram</b>	Page 39	Page 39	Page 39	Page 39	Page 39
<b>Condenser Fan and Evaporator Blower Location Diagram</b>	Page 44 Page 47	Page 44 Page 47	Page 44 Page 47	Page 44 Page 47	Page 44 Page 47

## FRIGIDAIRE MODEL SPECIFICATIONS

Model	FAA067P7A6	FAA082P7A1	FAA082P7A2	FAA082P7A3	FAA082P7A4
<b>Chassis type</b>	MS II	MS II	MS II	MS II	MS II
<b>Capacity features</b>					
BTU - Cooling	6000	8000	8000	8000	8000
BTU - Heating	-	-	-	-	-
Moisture Removal	1.9	2.1	2.1	2.1	2.1
EER	10.7	9.8	9.8	9.8	9.8
<b>Electrical Information</b>					
Voltage	115	115	115	115	115
Amps - Cooling	4.9	7.6	7.6	7.6	7.6
Amps - Heating	-	-	-	-	-
Watts - Cooling	560	820	820	820	820
Watts - Heating	-	-	-	-	-
Fuse/Breaker (Amps)	15	15	15	15	15
Receptacle Type	NEMA 5-15	NEMA 5-15	NEMA 5-15	NEMA 5-15	NEMA 5-15
Power Cord Number	2241999001	2241999001	2241999001	2241999001	2241999001
Power Cord Amps Min	13	13	13	13	13
Wiring Diagram	2202049160	2202049172	2202049172	2202049172	2202049172
Page #	Page 33	Page 32	Page 32	Page 32	Page 32
<b>Air Flow System</b>					
Capacitor- $\mu$ farads	6/250	15/250	15/250	15/250	15/250
Fan Motor Mfg.	Dayang	Dayang	Welling	Welling	Dayang
Fan Motor Number	2240047015	2240047017	2240047016	2240047016	2240047017
RPM/CMP (EVAP)					
High	1100/270	1490/390	1490/390	1490/390	1490/390
Medium	-	1350/290	1350/290	1350/290	1350/290
Low	-	1200/210	1200/210	1200/210	1200/210
Heat Only	-	-	-	-	-
<b>Refrigeration System</b>					
Compressor Mfg.	LG, Korea	Richi, Taiwan	Matsushita	Matsushita	Richi, Taiwan
Compressor Number	QA084CAA	39R191CD-05S	2R12S126A6J	2R12S126A6J	39R191CD-05S
Compressor Type	Rotary	Rotary	Rotary	Rotary	Rotary
Overload Protector	2140160370	2140200140	2140021570	2140021570	2140200140
Capacitor- $\mu$ farads	40/250	35/250	35/250	35/250	35/250
Refrigerant Charge	12.7	16.9	13.8	13.8	16.9
Restrictor Tube	2162029047	2162039127	2162039132	2162039132	2162039127
Thermostat Type	Electronic	Capillary	Capillary	Capillary	Capillary
<b>Installation Instructions</b>					
Kit Type	2282019010	2282019010	2282019010	2282019010	2282019010
Part Number	Page 35	Page 35	Page 35	Page 35	Page 35
<b>Control Thermostat Location Diagram</b>	Page 39	Page 38	Page 38	Page 38	Page 38
<b>Condenser Fan and Evaporator Blower Location Diagram</b>	Page 44 Page 47	Page 44 Page 47	Page 44 Page 47	Page 44 Page 47	Page 44 Page 47

## FRIGIDAIRE MODEL SPECIFICATIONS

Model	FAA083P7A1	FAA083P7A2	FAA083P7A3	FAA083P7A4	FAA083P7A5
<b>Chassis type</b>	MS II	MS II	MS II	MS II	MS II
<b>Capacity features</b>					
BTU - Cooling	8000	8000	8000	8000	8000
BTU - Heating	-	-	-	-	-
Moisture Removal	2.1	2.1	2.1	2.1	2.1
EER	10.8	10.8	10.8	10.8	10.8
<b>Electrical Information</b>					
Voltage	115	115	115	115	115
Amps - Cooling	6.8	6.8	6.8	6.8	6.8
Amps - Heating	-	-	-	-	-
Watts - Cooling	740	740	740	740	740
Watts - Heating	-	-	-	-	-
Fuse/Breaker (Amps)	15	15	15	15	15
Receptacle Type	NEMA 5-15	NEMA 5-15	NEMA 5-15	NEMA 5-15	NEMA 5-15
Power Cord Number	2241999001	2241999001	2241999001	2241999001	2241999001
Power Cord Amps Min	13	13	13	13	13
Wiring Diagram	2202049172	2202049172	2202049172	2202049172	2202049172
Page #	Page 32	Page 32	Page 32	Page 32	Page 32
<b>Air Flow System</b>					
Capacitor- $\mu$ farads	15/250	15/250	15/250	15/250	15/250
Fan Motor Mfg.	Dayang	Welling	Dayang	Welling	Welling
Fan Motor Number	2240047017	2240047016	2240047017	2240047016	2240047016
RPM/CMP (EVAP)					
High	1490/390	1490/390	1490/390	1490/390	1490/390
Medium	1350/290	1350/290	1350/290	1350/290	1350/290
Low	1200/210	1200/210	1200/210	1200/210	1200/210
Heat Only	-	-	-	-	-
<b>Refrigeration System</b>					
Compressor Mfg.	Matsushita	Toshiba	Toshiba	Matsushita	Toshiba
Compressor Number	2R11S3R126A6B	H108X1CY-1DZDU	H108X1CY-1DZDU	2R11S3R126A6B	H108X1CY-1DZDU
Compressor Type	Rotary	Rotary	Rotary	Rotary	Rotary
Overload Protector	2140021580	2140063010	2140063010	2140021580	2140063140
Capacitor- $\mu$ farads	35/250	45/250	45/250	35/250	45/250
Refrigerant Charge	16.9	16.9	16.9	16.9	16.9
Restrictor Tube	2162039127	2162039132	2162039132	2162039127	2162039132
Thermostat Type	Capillary	Capillary	Capillary	Capillary	Capillary
<b>Installation Instructions</b>					
Kit Type	2282019010	2282019010	2282019010	2282019010	2282019010
Part Number	Page 35	Page 35	Page 35	Page 35	Page 35
<b>Control Thermostat Location Diagram</b>	Page 38	Page 38	Page 38	Page 38	Page 38
<b>Condenser Fan and Evaporator Blower Location Diagram</b>	Page 44 Page 47	Page 44 Page 47	Page 44 Page 47	Page 44 Page 47	Page 44 Page 47

## FRIGIDAIRE MODEL SPECIFICATIONS

Model	FAA083P7A6	FAA084P7A1	FAA084P7A2	FAA084P7A3	FAA084P7A4
<b>Chassis type</b>	MS II	MS II	MS II	MS II	MS II
<b>Capacity features</b>					
BTU - Cooling	8000	8000	8000	8000	8000
BTU - Heating	-	-	-	-	-
Moisture Removal	2.1	2.1	2.1	2.1	2.1
EER	10.8	9.8	9.8	9.8	9.8
<b>Electrical Information</b>					
Voltage	115	115	115	115	115
Amps - Cooling	6.8	7.6	7.6	7.6	7.6
Amps - Heating	-	-	-	-	-
Watts - Cooling	740	820	820	820	820
Watts - Heating	-	-	-	-	-
Fuse/Breaker (Amps)	15	15	15	15	15
Receptacle Type	NEMA 5-15	NEMA 5-15	NEMA 5-15	NEMA 5-15	NEMA 5-15
Power Cord Number	2241999001	2241999001	2241999001	2241999001	2241999001
Power Cord Amps Min	13	13	13	13	13
Wiring Diagram	2202049172	2202049160	2202049160	2202049160	2202049160
Page #	Page 32	Page 33	Page 33	Page 33	Page 33
<b>Air Flow System</b>					
Capacitor- $\mu$ farads	15/250	15/250	15/250	15/250	15/250
Fan Motor Mfg.	Dayang	Dayang	Welling	Dayang	Welling
Fan Motor Number	2240047017	2240047019	2240047018	2240047019	2240047018
RPM/CMP (EVAP)					
High	1490/390	1490/390	1490/390	1490/390	1490/390
Medium	1350/290	-	-	-	-
Low	1200/210	-	-	-	-
Heat Only	-	-	-	-	-
<b>Refrigeration System</b>					
Compressor Mfg.	Toshiba	Richi, Taiwan	Matsushita	Matsushita	Richi, Taiwan
Compressor Number	H108X1CY-1DZDU	39R191CD-05S	2R12S126A6J	2R12S126A6J	39R191CD-05S
Compressor Type	Rotary	Rotary	Rotary	Rotary	Rotary
Overload Protector	2140063140	2140200140	2140021570	2140021570	2140200140
Capacitor- $\mu$ farads	45/250	35/250	35/250	35/250	35/250
Refrigerant Charge	16.9	16.9	13.8	13.8	16.9
Restrictor Tube	2162039132	2162039127	2162039132	2162039132	2162039127
Thermostat Type	Capillary	Electronic	Electronic	Electronic	Electronic
<b>Installation Instructions</b>					
Kit Type	2282019010	2282019010	2282019010	2282019010	2282019010
Part Number	Page 35	Page 35	Page 35	Page 35	Page 35
<b>Control Thermostat Location Diagram</b>	Page 38	Page 38	Page 38	Page 39	Page 39
<b>Condenser Fan and Evaporator Blower Location Diagram</b>	Page 44 Page 47	Page 44 Page 47	Page 44 Page 47	Page 44 Page 47	Page 44 Page 47

## FRIGIDAIRE MODEL SPECIFICATIONS

Model	FAA085P7A1	FAA085P7A2	FAA085P7A3	FAA085P7A4	FAA085P7A5
<b>Chassis type</b>	MS II	MS II	MS II	MS II	MS II
<b>Capacity features</b>					
BTU - Cooling	8000	8000	8000	8000	8000
BTU - Heating	-	-	-	-	-
Moisture Removal	2.1	2.1	2.1	2.1	2.1
EER	10.8	10.8	10.8	10.8	10.8
<b>Electrical Information</b>					
Voltage	115	115	115	115	115
Amps - Cooling	6.8	6.8	6.8	6.8	6.8
Amps - Heating	-	-	-	-	-
Watts - Cooling	740	740	740	740	740
Watts - Heating	-	-	-	-	-
Fuse/Breaker (Amps)	15	15	15	15	15
Receptacle Type	NEMA 5-15	NEMA 5-15	NEMA 5-15	NEMA 5-15	NEMA 5-15
Power Cord Number	2241999001	2241999001	2241999001	2241999001	2241999001
Power Cord Amps Min	13	13	13	13	13
Wiring Diagram	2202049158	2202049158	2202049158	2202049158	2202049158
Page #	Page 32	Page 32	Page 32	Page 32	Page 32
<b>Air Flow System</b>					
Capacitor- $\mu$ farads	15/250	15/250	15/250	15/250	15/250
Fan Motor Mfg.	Dayang	Welling	Dayang	Welling	Welling
Fan Motor Number	2240047019	2240047018	2240047019	2240047018	2240047018
RPM/CMP (EVAP)					
High	1490/390	1490/390	1490/390	1490/390	1490/390
Medium	-	-	-	-	-
Low	-	-	-	-	-
Heat Only	-	-	-	-	-
<b>Refrigeration System</b>					
Compressor Mfg.	Matsushita	Toshiba	Toshiba	Matsushita	Toshiba
Compressor Number	2R11S3R126A6B	H108X1CY-1DZDU	H108X1CY-1DZDU	2R11S3R126A6B	EH108X1CY-1DZDU4
Compressor Type	Rotary	Rotary	Rotary	Rotary	Rotary
Overload Protector	2140021580	2140063010	2140063010	2140021580	2140063140
Capacitor- $\mu$ farads	35/250	45/250	45/250	35/250	45/250
Refrigerant Charge	16.9	16.9	16.9	16.9	16.9
Restrictor Tube	2162039127	2162039132	2162039132	2162039127	2162039132
Thermostat Type	Electronic	Electronic	Electronic	Electronic	Electronic
<b>Installation Instructions</b>					
Kit Type	2282019010	2282019010	2282019010	2282019010	2282019010
Part Number	Page 35	Page 35	Page 35	Page 35	Page 35
<b>Control Thermostat Location Diagram</b>	Page 39	Page 39	Page 39	Page 39	Page 39
<b>Condenser Fan and Evaporator Blower Location Diagram</b>	Page 44 Page 47	Page 44 Page 47	Page 44 Page 47	Page 44 Page 47	Page 44 Page 47

## FRIGIDAIRE MODEL SPECIFICATIONS

Model	FAA085P7A6	FAA086P7A1	FAA086P7A2	FAA086P7A3	FAA086P7A4
<b>Chassis type</b>	MS II	MS II	MS II	MS II	MS II
<b>Capacity features</b>					
BTU - Cooling	8000	8000	8000	8000	8000
BTU - Heating	-	-	-	-	-
Moisture Removal	2.1	2.1	2.1	2.1	2.1
EER	10.8	10.8	10.8	10.8	10.8
<b>Electrical Information</b>					
Voltage	115	115	115	115	115
Amps - Cooling	6.8	6.8	6.8	6.8	6.8
Amps - Heating	-	-	-	-	-
Watts - Cooling	740	740	740	740	740
Watts - Heating	-	-	-	-	-
Fuse/Breaker (Amps)	15	15	15	15	15
Receptacle Type	NEMA 5-15	NEMA 5-15	NEMA 5-15	NEMA 5-15	NEMA 5-15
Power Cord Number	2241999001	2241999001	2241999001	2241999001	2241999001
Power Cord Amps Min	13	13	13	13	13
Wiring Diagram	2202049158	2202049158	2202049158	2202049158	2202049158
Page #	Page 32	Page 32	Page 32	Page 32	Page 32
<b>Air Flow System</b>					
Capacitor- $\mu$ farads	15/250	15/250	15/250	15/250	15/250
Fan Motor Mfg.	Dayang	Dayang	Welling	Dayang	Welling
Fan Motor Number	2240047019	2240047019	2240047018	2240047019	2240047018
RPM/CMP (EVAP)					
High	1490/390	1490/390	1490/390	1490/390	1490/390
Medium	-	-	-	-	-
Low	-	-	-	-	-
Heat Only	-	-	-	-	-
<b>Refrigeration System</b>					
Compressor Mfg.	Toshiba	Matsushita	Toshiba	Toshiba	Matsushita
Compressor Number	H108X1CY-1DZDU	2R11S3R126A6B	H108X1CY-1DZDU	EH108X1CY-1DZDU3	2R11S3R126A6B
Compressor Type	Rotary	Rotary	Rotary	Rotary	Rotary
Overload Protector	2140063140	2140021580	2140063010	2140063010	2140021580
Capacitor- $\mu$ farads	45/250	35/250	45/250	45/250	35/250
Refrigerant Charge	16.9	16.9	16.9	16.9	16.9
Restrictor Tube	2162039132	2162039127	2162039132	2162039132	2162039127
Thermostat Type	Electronic	Electronic	Electronic	Electronic	Electronic
<b>Installation Instructions</b>					
Kit Type	2282019010	2282019010	2282019010	2282019010	2282019010
Part Number	Page 35	Page 35	Page 35	Page 35	Page 35
<b>Control Thermostat Location Diagram</b>	Page 39	Page 39	Page 39	Page 39	Page 39
<b>Condenser Fan and Evaporator Blower Location Diagram</b>	Page 44 Page 47	Page 44 Page 47	Page 44 Page 47	Page 44 Page 47	Page 44 Page 47

## FRIGIDAIRE MODEL SPECIFICATIONS

Model	FAA086P7A5	FAA086P7A6			
<b>Chassis type</b>	MS II	MS II			
<b>Capacity features</b>					
BTU - Cooling	8000	8000			
BTU - Heating	-	-			
Moisture Removal	2.1	2.1			
EER	10.8	10.8			
<b>Electrical Information</b>					
Voltage	115	115			
Amps - Cooling	6.8	6.8			
Amps - Heating	-	-			
Watts - Cooling	740	740			
Watts - Heating	-	-			
Fuse/Breaker (Amps)	15	15			
Receptacle Type	NEMA 5-15	NEMA 5-15			
Power Cord Number	2241999001	2241999001			
Power Cord Amps Min	13	13			
Wiring Diagram	2202049158	2202049158			
Page #	Page 32	Page 32			
<b>Air Flow System</b>					
Capacitor- $\mu$ farads	15/250	15/250			
Fan Motor Mfg.	Welling	Dayang			
Fan Motor Number	2240047018	2240047019			
RPM/CMP (EVAP)					
High	1490/390	1490/390			
Medium	-	-			
Low	-	-			
Heat Only	-	-			
<b>Refrigeration System</b>					
Compressor Mfg.	Toshiba	Toshiba			
Compressor Number	EH108X1CY-1DZDU4	EH108X1CY-1DZDU4			
Compressor Type	Rotary	Rotary			
Overload Protector	2140063140	2140063140			
Capacitor- $\mu$ farads	45/250	45/250			
Refrigerant Charge	16.9	16.9			
Restrictor Tube	2162039132	2162039132			
Thermostat Type	Electronic	Electronic			
<b>Installation Instructions</b>					
Kit Type	2282019010	2282019010			
Part Number	Page 35	Page 35			
<b>Control Thermostat Location Diagram</b>	Page 39	Page 39			
<b>Condenser Fan and Evaporator Blower Location Diagram</b>	Page 44 Page 47	Page 44 Page 47			



## FRIGIDAIRE MODEL SPECIFICATIONS

Model	FAA087P7A1	FAA087P7A2	FAA087P7A3	FAA087P7A4	
<b>Chassis type</b>	MS II	MS II	MS II	MS II	
<b>Capacity features</b>					
BTU - Cooling	8000	8000	8000	8000	
BTU - Heating	-	-	-	-	
Moisture Removal	2.1	2.1	2.1	2.1	
EER	10.8	10.8	10.8	10.8	
<b>Electrical Information</b>					
Voltage	115	115	115	115	
Amps - Cooling	6.8	6.8	6.8	6.8	
Amps - Heating	-	-	-	-	
Watts - Cooling	740	740	740	740	
Watts - Heating	-	-	-	-	
Fuse/Breaker (Amps)	15	15	15	15	
Receptacle Type	NEMA 5-15	NEMA 5-15	NEMA 5-15	NEMA 5-15	
Power Cord Number	2241999001	2241999001	2241999001	2241999001	
Power Cord Amps Min	13	13	13	13	
Wiring Diagram	2202049160	2202049160	2202049160	2202049160	
Page #	Page 33	Page 33	Page 33	Page 33	
<b>Air Flow System</b>					
Capacitor- $\mu$ farads	15/250	15/250	15/250	15/250	
Fan Motor Mfg.	Welling	Dayang	Welling	Dayang	
Fan Motor Number	2240047018	2240047019	2240047018	2240047019	
RPM/CMP (EVAP)					
High	1490/390	1490/390	1490/390	1490/390	
Medium	-	-	-	-	
Low	-	-	-	-	
Heat Only	-	-	-	-	
<b>Refrigeration System</b>					
Compressor Mfg.	Matsushita	Matsushita	Toshiba	Toshiba	
Compressor Number	2R11S3R126A6B	2R11S3R126A6B	EH108X1CY-1DZDU3	EH108X1CY-1DZDU3	
Compressor Type	Rotary	Rotary	Rotary	Rotary	
Overload Protector	2140021580	2140021580	2140063010	2140063010	
Capacitor- $\mu$ farads	35/250	35/250	45/250	45/250	
Refrigerant Charge	16.9	16.9	16.9	16.9	
Restrictor Tube	2162039127	2162039127	2162039132	2162039132	
Thermostat Type	Electronic	Electronic	Electronic	Electronic	
<b>Installation Instructions</b>					
Kit Type	2282019010	2282019010	2282019010	2282019010	
Part Number	Page 35	Page 35	Page 35	Page 35	
<b>Control Thermostat Location Diagram</b>	Page 39	Page 39	Page 39	Page 39	
<b>Condenser Fan and Evaporator Blower Location Diagram</b>	Page 44 Page 47	Page 44 Page 47	Page 44 Page 47	Page 44 Page 47	

## FRIGIDAIRE MODEL SPECIFICATIONS

Model	FAC102P1A1	FAC102P1A2	FAC102P1A3	FAC102P1A4	FAC104P1A1
<b>Chassis type</b>	Compact II	Compact II	Compact II	Compact II	Compact II
<b>Capacity features</b>					
BTU - Cooling	10000	10000	10000	10000	10000
BTU - Heating	-	-	-	-	-
Moisture Removal	2.5	2.5	2.5	2.5	2.5
EER	9.8	9.8	9.8	9.8	9.8
<b>Electrical Information</b>					
Voltage	115	115	115	115	115
Amps - Cooling	9.3	9.3	9.3	9.3	9.3
Amps - Heating	-	-	-	-	-
Watts - Cooling	1020	1020	1020	1020	1020
Watts - Heating	-	-	-	-	-
Fuse/Breaker (Amps)	15	15	15	15	15
Receptacle Type	NEMA 5-15	NEMA 5-15	NEMA 5-15	NEMA 5-15	NEMA 5-15
Power Cord Number	2241999002	2241999002	2241999002	2241999002	2241999002
Power Cord Amps Min	15	15	15	15	15
Wiring Diagram	2202049172	2202049172	2202049172	2202049172	2202049160
Page #	Page 32	Page 32	Page 32	Page 32	Page 33
<b>Air Flow System</b>					
Capacitor- $\mu$ farads	15/250	15/250	15/250	15/250	15/250
Fan Motor Mfg.	Dayang	Welling	Dayang	Welling	Dayang
Fan Motor Number	2240047021	2240047020	2240047021	2240047020	2240047010
RPM/CMP (EVAP)					
High	1460/490	1460/490	1460/490	1460/490	1460/490
Medium	1270/440	1270/440	1270/440	1270/440	-
Low	1100/380	1100/380	1100/380	1100/380	-
Heat Only	-	-	-	-	-
<b>Refrigeration System</b>					
Compressor Mfg.	Richi, Taiwan	LG, Korea	LG, Korea	Richi, Taiwan	Richi, Taiwan
Compressor Number	44R241AG-FES	OK141CBC	OK141CBC	44R241AG-FES	44R241AG-FES
Compressor Type	Rotary	Rotary	Rotary	Rotary	Rotary
Overload Protector	2140200040	2140160360	2140160360	2140200040	2140200040
Capacitor- $\mu$ farads	60/250	45/250	45/250	60/250	60/250
Refrigerant Charge	19.4	17.7	17.7	19.4	19.4
Restrictor Tube	2162049193	2162049197	2162049197	2162049193	2162049193
Thermostat Type	Capillary	Capillary	Capillary	Capillary	Electronic
<b>Installation Instructions</b>					
Kit Type	2282049504	2282049504	2282049504	2282049504	2282049504
Part Number	Page 35	Page 35	Page 35	Page 35	Page 35
<b>Control Thermostat Location Diagram</b>	Page 40	Page 40	Page 40	Page 40	Page 41
<b>Condenser Fan and Evaporator Blower Location Diagram</b>	Page 45 Page 48	Page 45 Page 48	Page 45 Page 48	Page 45 Page 48	Page 45 Page 48

## FRIGIDAIRE MODEL SPECIFICATIONS

Model	FAC104P1A2	FAC104P1A3	FAC104P1A4	FAC104P1A5	FAC104P1A6
<b>Chassis type</b>	Compact II	Compact II	Compact II	Compact II	Compact II
<b>Capacity features</b>					
BTU - Cooling	10000	10000	10000	10000	10000
BTU - Heating	-	-	-	-	-
Moisture Removal	2.5	2.5	2.5	2.5	2.5
EER	9.8	9.8	9.8	9.8	9.8
<b>Electrical Information</b>					
Voltage	115	115	115	115	115
Amps - Cooling	9.3	9.3	9.3	9.3	9.3
Amps - Heating	-	-	-	-	-
Watts - Cooling	1020	1020	1020	1020	1020
Watts - Heating	-	-	-	-	-
Fuse/Breaker (Amps)	15	15	15	15	15
Receptacle Type	NEMA 5-15	NEMA 5-15	NEMA 5-15	NEMA 5-15	NEMA 5-15
Power Cord Number	2241999002	2241999002	2241999002	2241999002	2241999002
Power Cord Amps Min	15	15	15	15	15
Wiring Diagram	2202049160	2202049160	2202049160	2202049160	2202049160
Page #	Page 33	Page 33	Page 33	Page 33	Page 33
<b>Air Flow System</b>					
Capacitor- $\mu$ farads	15/250	15/250	15/250	15/250	15/250
Fan Motor Mfg.	Sina	Welling	Dayang	Sina	Welling
Fan Motor Number	2240047011	2240047009	2240047010	2240047011	2240047009
RPM/CMP (EVAP)					
High	1460/490	1460/490	1460/490	1460/490	1460/490
Medium	-	-	-	-	-
Low	-	-	-	-	-
Heat Only	-	-	-	-	-
<b>Refrigeration System</b>					
Compressor Mfg.	Richi, Taiwan	LG, Korea	LG, Korea	LG, Korea	Richi, Taiwan
Compressor Number	44R241AG-FES	QK141CBC	QK141CBC	QK141CBC	44R241AG-FES
Compressor Type	Rotary	Rotary	Rotary	Rotary	Rotary
Overload Protector	2140200040	2140160360	2140160360	2140160360	2140200040
Capacitor- $\mu$ farads	60/250	45/250	45/250	45/250	60/250
Refrigerant Charge	19.4	17.7	17.7	17.7	19.4
Restrictor Tube	2162049193	2162049197	2162049197	2162049197	2162049193
Thermostat Type	Electronic	Electronic	Electronic	Electronic	Electronic
<b>Installation Instructions</b>					
Kit Type	2282049504	2282049504	2282049504	2282049504	2282049504
Part Number	Page 35	Page 35	Page 35	Page 35	Page 35
<b>Control Thermostat Location Diagram</b>	Page 41	Page 41	Page 41	Page 41	Page 41
<b>Condenser Fan and Evaporator Blower Location Diagram</b>	Page 45 Page 48	Page 45 Page 48	Page 45 Page 48	Page 45 Page 48	Page 45 Page 48

## FRIGIDAIRE MODEL SPECIFICATIONS

Model	FAC105P1A1	FAC105P1A2	FAC105P1A3	FAC105P1A4	FAC105P1A5
<b>Chassis type</b>	Compact II	Compact II	Compact II	Compact II	Compact II
<b>Capacity features</b>					
BTU - Cooling	10000	10000	10000	10000	10000
BTU - Heating	-	-	-	-	-
Moisture Removal	2.5	2.5	2.5	2.5	2.5
EER	10.8	10.8	10.8	10.8	10.8
<b>Electrical Information</b>					
Voltage	115	115	115	115	115
Amps - Cooling	8.4	8.4	8.4	8.4	8.4
Amps - Heating	-	-	-	-	-
Watts - Cooling	920	920	920	920	920
Watts - Heating	-	-	-	-	-
Fuse/Breaker (Amps)	15	15	15	15	15
Receptacle Type	NEMA 5-15	NEMA 5-15	NEMA 5-15	NEMA 5-15	NEMA 5-15
Power Cord Number	2241999002	2241999002	2241999002	2241999002	2241999002
Power Cord Amps Min	15	15	15	15	15
Wiring Diagram	2202049158	2202049158	2202049158	2202049158	2202049158
Page #	Page 32	Page 32	Page 32	Page 32	Page 32
<b>Air Flow System</b>					
Capacitor- $\mu$ farads	15/250	15/250	15/250	15/250	15/250
Fan Motor Mfg.	Dayang	Sina	Welling	Dayang	Sina
Fan Motor Number	2240047010	2240047011	2240047009	2240047010	2240047011
RPM/CMP (EVAP)					
High	1460/490	1460/490	1460/490	1460/490	1460/490
Medium	-	-	-	-	-
Low	-	-	-	-	-
Heat Only	-	-	-	-	-
<b>Refrigeration System</b>					
Compressor Mfg.	Matsushita	Matsushita	LG, Korea	LG, Korea	LG, Korea
Compressor Number	2P14S126B1G	2P14S126B1G	QK134CCB	QK134CCB	QK134CCB
Compressor Type	Rotary	Rotary	Rotary	Rotary	Rotary
Overload Protector	2140021230	2140021230	2140160350	2140160350	2140160350
Capacitor- $\mu$ farads	40/250	40/250	50/250	50/250	50/250
Refrigerant Charge	26.5	26.5	22.9	22.9	22.9
Restrictor Tube	2162049220	2162049220	2162049149	2162049149	2162049149
Thermostat Type	Electronic	Electronic	Electronic	Electronic	Electronic
<b>Installation Instructions</b>					
Kit Type	2282049504	2282049504	2282049504	2282049504	2282049504
Part Number	Page 35	Page 35	Page 35	Page 35	Page 35
<b>Control Thermostat Location Diagram</b>	Page 41	Page 41	Page 41	Page 41	Page 41
<b>Condenser Fan and Evaporator Blower Location Diagram</b>	Page 45 Page 48	Page 45 Page 48	Page 45 Page 48	Page 45 Page 48	Page 45 Page 48

## FRIGIDAIRE MODEL SPECIFICATIONS

Model	FAC105P1A6	FAC106P1A1	FAC106P1A2	FAC106P1A3	FAC106P1A4
<b>Chassis type</b>	Compact II	Compact II	Compact II	Compact II	Compact II
<b>Capacity features</b>					
BTU - Cooling	10000	10000	10000	10000	10000
BTU - Heating	-	-	-	-	-
Moisture Removal	2.5	2.5	2.5	2.5	2.5
EER	10.8	10.8	10.8	10.8	10.8
<b>Electrical Information</b>					
Voltage	115	115	115	115	115
Amps - Cooling	8.4	8.4	8.4	8.4	8.4
Amps - Heating	-	-	-	-	-
Watts - Cooling	920	920	920	920	920
Watts - Heating	-	-	-	-	-
Fuse/Breaker (Amps)	15	15	15	15	15
Receptacle Type	NEMA 5-15	NEMA 5-15	NEMA 5-15	NEMA 5-15	NEMA 5-15
Power Cord Number	2241999002	2241999002	2241999002	2241999002	2241999002
Power Cord Amps Min	15	15	15	15	15
Wiring Diagram	2202049158	2202049158	2202049158	2202049158	2202049158
Page #	Page 32	Page 32	Page 32	Page 32	Page 32
<b>Air Flow System</b>					
Capacitor- $\mu$ farads	15/250	15/250	15/250	15/250	15/250
Fan Motor Mfg.	Welling	Dayang	Sina	Welling	Dayang
Fan Motor Number	2240047009	2240047010	2240047011	2240047009	2240047010
RPM/CMP (EVAP)					
High	1460/490	1460/490	1460/490	1460/490	1460/490
Medium	-	-	-	-	-
Low	-	-	-	-	-
Heat Only	-	-	-	-	-
<b>Refrigeration System</b>					
Compressor Mfg.	Matsushita	Matsushita	Matsushita	LG, Korea	LG, Korea
Compressor Number	2P14S126B1G	2P14S126B1G	2P14S126B1G	QK134CCB	QK134CCB
Compressor Type	Rotary	Rotary	Rotary	Rotary	Rotary
Overload Protector	2140021230	2140021230	2140021230	2140160350	2140160350
Capacitor- $\mu$ farads	40/250	40/250	40/250	50/250	50/250
Refrigerant Charge	26.5	26.5	26.5	22.9	22.9
Restrictor Tube	2162049220	2162049220	2162049220	2162049149	2162049149
Thermostat Type	Electronic	Electronic	Electronic	Electronic	Electronic
<b>Installation Instructions</b>					
Kit Type	2282049504	2282049504	2282049504	2282049504	2282049504
Part Number	Page 35	Page 35	Page 35	Page 35	Page 35
<b>Control Thermostat Location Diagram</b>	Page 41	Page 41	Page 41	Page 41	Page 41
<b>Condenser Fan and Evaporator Blower Location Diagram</b>	Page 45 Page 48	Page 45 Page 48	Page 45 Page 48	Page 45 Page 48	Page 45 Page 48

## FRIGIDAIRE MODEL SPECIFICATIONS

Model	FAC106P1A5	FAC106P1A6	FAC107P1A1	FAC107P1A2	FAC107P1A3
<b>Chassis type</b>	Compact II	Compact II	Compact II	Compact II	Compact II
<b>Capacity features</b>					
BTU - Cooling	10000	10000	10000	10000	10000
BTU - Heating	-	-	-	-	-
Moisture Removal	2.5	2.5	2.5	2.5	2.5
EER	10.8	10.8	10.8	10.8	10.8
<b>Electrical Information</b>					
Voltage	115	115	115	115	115
Amps - Cooling	8.4	8.4	8.4	8.4	8.4
Amps - Heating	-	-	-	-	-
Watts - Cooling	920	920	920	920	920
Watts - Heating	-	-	-	-	-
Fuse/Breaker (Amps)	15	15	15	15	15
Receptacle Type	NEMA 5-15	NEMA 5-15	NEMA 5-15	NEMA 5-15	NEMA 5-15
Power Cord Number	2241999002	2241999002	2241999002	2241999002	2241999002
Power Cord Amps Min	15	15	15	15	15
Wiring Diagram	2202049158	2202049158	2202049160	2202049160	2202049160
Page #	Page 32	Page 32	Page 33	Page 33	Page 33
<b>Air Flow System</b>					
Capacitor- $\mu$ farads	15/250	15/250	15/250	15/250	15/250
Fan Motor Mfg.	Sina	Welling	Welling	Dayang	Sina
Fan Motor Number	2240047011	2240047009	2240047009	2240047010	2240047011
RPM/CMP (EVAP)					
High	1460/490	1460/490	1460/490	1460/490	1460/490
Medium	-	-	-	-	-
Low	-	-	-	-	-
Heat Only	-	-	-	-	-
<b>Refrigeration System</b>					
Compressor Mfg.	LG, Korea	Matsushita	Matsushita	Matsushita	Matsushita
Compressor Number	QK134CCB	2P14S126B1G	2P14S126B1G	2P14S126B1G	2P14S126B1G
Compressor Type	Rotary	Rotary	Rotary	Rotary	Rotary
Overload Protector	2140160350	2140021230	2140021230	2140021230	2140021230
Capacitor- $\mu$ farads	50/250	40/250	40/250	40/250	40/250
Refrigerant Charge	22.9	26.5	26.5	26.5	26.5
Restrictor Tube	2162049149	2162049220	2162049220	2162049220	2162049220
Thermostat Type	Electronic	Electronic	Electronic	Electronic	Electronic
<b>Installation Instructions</b>					
Kit Type	2282049504	2282049504	2282049504	2282049504	2282049504
Part Number	Page 35	Page 35	Page 35	Page 35	Page 35
<b>Control Thermostat Location Diagram</b>	Page 41	Page 41	Page 41	Page 41	Page 41
<b>Condenser Fan and Evaporator Blower Location Diagram</b>	Page 45 Page 48	Page 45 Page 48	Page 45 Page 48	Page 45 Page 48	Page 45 Page 48

## FRIGIDAIRE MODEL SPECIFICATIONS

Model	FAC107P1A4	FAC107P1A5	FAC107P1A6		
<b>Chassis type</b>	Compact II	Compact II	Compact II		
<b>Capacity features</b>					
BTU - Cooling	10000	10000	10000		
BTU - Heating	-	-	-		
Moisture Removal	2.5	2.5	2.5		
EER	10.8	10.8	10.8		
<b>Electrical Information</b>					
Voltage	115	115	115		
Amps - Cooling	8.4	8.4	8.4		
Amps - Heating	-	-	-		
Watts - Cooling	920	920	920		
Watts - Heating	-	-	-		
Fuse/Breaker (Amps)	15	15	15		
Receptacle Type	NEMA 5-15	NEMA 5-15	NEMA 5-15		
Power Cord Number	2241999002	2241999002	2241999002		
Power Cord Amps Min	15	15	15		
Wiring Diagram	2202049160	2202049160	2202049160		
Page #	Page 33	Page 33	Page 33		
<b>Air Flow System</b>					
Capacitor- $\mu$ farads	15/250	15/250	15/250		
Fan Motor Mfg.	Welling	Dayang	Sina		
Fan Motor Number	2240047009	2240047010	2240047011		
RPM/CMP (EVAP)					
High	1460/490	1460/490	1460/490		
Medium	-	-	-		
Low	-	-	-		
Heat Only	-	-	-		
<b>Refrigeration System</b>					
Compressor Mfg.	LG, Korea	LG, Korea	LG, Korea		
Compressor Number	QK134CCB	QK134CCB	QK134CCB		
Compressor Type	Rotary	Rotary	Rotary		
Overload Protector	2140160350	2140160350	2140160350		
Capacitor- $\mu$ farads	50/250	50/250	50/250		
Refrigerant Charge	22.9	22.9	22.9		
Restrictor Tube	2162049149	2162049149	2162049149		
Thermostat Type	Electronic	Electronic	Electronic		
<b>Installation Instructions</b>					
Kit Type	2282049504	2282049504	2282049504		
Part Number	Page 35	Page 35	Page 35		
<b>Control Thermostat Location Diagram</b>	Page 41	Page 41	Page 41		
<b>Condenser Fan and Evaporator Blower Location Diagram</b>	Page 45 Page 48	Page 45 Page 48	Page 45 Page 48		

## FRIGIDAIRE MODEL SPECIFICATIONS

Model	FAC122P1A1	FAC122P1A2	FAC122P1A3	FAC122P1A4	FAC124P1A1
<b>Chassis type</b>	Compact II	Compact II	Compact II	Compact II	Compact II
<b>Capacity features</b>					
BTU - Cooling	12000	12000	12000	12000	12000
BTU - Heating	-	-	-	-	-
Moisture Removal	3.4	3.4	3.4	3.4	3.4
EER	9.8	9.8	9.8	9.8	9.8
<b>Electrical Information</b>					
Voltage	115	115	115	115	115
Amps - Cooling	11.1	11.1	11.1	11.1	11.1
Amps - Heating	-	-	-	-	-
Watts - Cooling	1230	1230	1230	1230	1230
Watts - Heating	-	-	-	-	-
Fuse/Breaker (Amps)	15	15	15	15	15
Receptacle Type	NEMA 5-15	NEMA 5-15	NEMA 5-15	NEMA 5-15	NEMA 5-15
Power Cord Number	2241999002	2241999002	2241999002	2241999002	2241999002
Power Cord Amps Min	15	15	15	15	15
Wiring Diagram	2202049172	2202049172	2202049172	2202049172	2202049160
Page #	Page 32	Page 32	Page 32	Page 32	Page 33
<b>Air Flow System</b>					
Capacitor- $\mu$ farads	15/250	15/250	15/250	15/250	15/250
Fan Motor Mfg.	Dayang	Welling	Dayang	Welling	Dayang
Fan Motor Number	2240047021	2240047020	2240047021	2240047020	2240047010
RPM/CMP (EVAP)					
High	1460/490	1460/490	1460/490	1460/490	1460/490
Medium	1270/440	1270/440	1270/440	1270/440	-
Low	1100/380	1100/380	1100/380	1100/380	-
Heat Only	-	-	-	-	-
<b>Refrigeration System</b>					
Compressor Mfg.	Richi, Taiwan	LG, Korea	LG, Korea	Richi, Taiwan	Richi, Taiwan
Compressor Number	44R291AG-FES	QK164CBB	QK164CBB	44R291AG-FES	44R291AG-FES
Compressor Type	Rotary	Rotary	Rotary	Rotary	Rotary
Overload Protector	2140200030	2140160340	2140160340	2140200030	2140200030
Capacitor- $\mu$ farads	60/250	50/250	50/250	60/250	60/250
Refrigerant Charge	26.8	21.9	21.9	26.8	26.8
Restrictor Tube	2162049208	2162049208	2162049208	2162049208	2162049208
Thermostat Type	Capillary	Capillary	Capillary	Capillary	Electronic
<b>Installation Instructions</b>					
Kit Type	2282049504	2282049504	2282049504	2282049504	2282049504
Part Number	Page 35	Page 35	Page 35	Page 35	Page 35
<b>Control Thermostat Location Diagram</b>	Page 40	Page 40	Page 40	Page 40	Page 41
<b>Condenser Fan and Evaporator Blower Location Diagram</b>	Page 45 Page 48	Page 45 Page 48	Page 45 Page 48	Page 45 Page 48	Page 45 Page 48



## FRIGIDAIRE MODEL SPECIFICATIONS

Model	FAC124P1A2	FAC124P1A13	FAC124P1A4	FAC124P1A5	FAC124P1A6
<b>Chassis type</b>	Compact II	Compact II	Compact II	Compact II	Compact II
<b>Capacity features</b>					
BTU - Cooling	12000	12000	12000	12000	12000
BTU - Heating	-	-	-	-	-
Moisture Removal	3.4	3.4	3.4	3.4	3.4
EER	9.8	9.8	9.8	9.8	9.8
<b>Electrical Information</b>					
Voltage	115	115	115	115	115
Amps - Cooling	11.1	11.1	11.1	11.1	11.1
Amps - Heating	-	-	-	-	-
Watts - Cooling	1230	1230	1230	1230	1230
Watts - Heating	-	-	-	-	-
Fuse/Breaker (Amps)	15	15	15	15	15
Receptacle Type	NEMA 5-15	NEMA 5-15	NEMA 5-15	NEMA 5-15	NEMA 5-15
Power Cord Number	2241999002	2241999002	2241999002	2241999002	2241999002
Power Cord Amps Min	15	15	15	15	15
Wiring Diagram	2202049160	2202049160	2202049160	2202049160	2202049160
Page #	Page 33	Page 33	Page 33	Page 33	Page 33
<b>Air Flow System</b>					
Capacitor- $\mu$ farads	15/250	15/250	15/250	15/250	15/250
Fan Motor Mfg.	Sina	Welling	Dayang	Sina	Welling
Fan Motor Number	2240047011	2240047009	2240047010	2240047011	2240047009
RPM/CMP (EVAP)					
High	1460/490	1460/490	1460/490	1460/490	1460/490
Medium	-	-	-	-	-
Low	-	-	-	-	-
Heat Only	-	-	-	-	-
<b>Refrigeration System</b>					
Compressor Mfg.	Richi, Taiwan	LG, Korea	LG, Korea	LG, Korea	Richi, Taiwan
Compressor Number	44R291AG-FES	QK164CBB	QK164CBB	QK164CBB	44R291AG-FES
Compressor Type	Rotary	Rotary	Rotary	Rotary	Rotary
Overload Protector	2140200030	2140160340	2140160340	2140160340	2140200030
Capacitor- $\mu$ farads	60/250	50/250	50/250	50/250	60/250
Refrigerant Charge	26.8	21.9	21.9	21.9	26.8
Restrictor Tube	2162049208	2162049208	2162049208	2162049208	2162049208
Thermostat Type	Electronic	Electronic	Electronic	Electronic	Electronic
<b>Installation Instructions</b>					
Kit Type	2282049504	2282049504	2282049504	2282049504	2282049504
Part Number	Page 35	Page 35	Page 35	Page 35	Page 35
<b>Control Thermostat Location Diagram</b>	Page 41	Page 41	Page 41	Page 41	Page 41
<b>Condenser Fan and Evaporator Blower Location Diagram</b>	Page 45 Page 48	Page 45 Page 48	Page 45 Page 48	Page 45 Page 48	Page 45 Page 48

## FRIGIDAIRE MODEL SPECIFICATIONS

Model	FAC125P1A1	FAC125P1A2	FAC125P1A3		
<b>Chassis type</b>	Compact II	Compact II	Compact II		
<b>Capacity features</b>					
BTU - Cooling	12000	12000	12000		
BTU - Heating	-	-	-		
Moisture Removal	3.4	3.4	3.4		
EER	10.8	10.8	10.8		
<b>Electrical Information</b>					
Voltage	115	115	115		
Amps - Cooling	10.1	10.1	10.1		
Amps - Heating	-	-	-		
Watts - Cooling	1110	1110	1110		
Watts - Heating	-	-	-		
Fuse/Breaker (Amps)	15	15	15		
Receptacle Type	NEMA 5-15	NEMA 5-15	NEMA 5-15		
Power Cord Number	2241999002	2241999002	2241999002		
Power Cord Amps Min	15	15	15		
Wiring Diagram	2202049158	2202049158	2202049158		
Page #	Page 32	Page 32	Page 32		
<b>Air Flow System</b>					
Capacitor- $\mu$ farads	15/250	15/250	15/250		
Fan Motor Mfg.	Dayang	Sina	Welling		
Fan Motor Number	2240047010	2240047011	2240047009		
RPM/CMP (EVAP)					
High	1460/490	1460/490	1460/490		
Medium	-	-	-		
Low	-	-	-		
Heat Only	-	-	-		
<b>Refrigeration System</b>					
Compressor Mfg.	LG, Korea	LG, Korea	LG, Korea		
Compressor Number	QK164CDB	QK164CDB	QK164CDB		
Compressor Type	Rotary	Rotary	Rotary		
Overload Protector	2140160330	2140160330	2140160330		
Capacitor- $\mu$ farads	60/250	60/250	60/250		
Refrigerant Charge	27.2	27.2	27.2		
Restrictor Tube	2162049137	2162049137	2162049137		
Thermostat Type	Electronic	Electronic	Electronic		
<b>Installation Instructions</b>					
Kit Type	2282049504	2282049504	2282049504		
Part Number	Page 35	Page 35	Page 35		
<b>Control Thermostat Location Diagram</b>	Page 41	Page 41	Page 41		
<b>Condenser Fan and Evaporator Blower Location Diagram</b>	Page 45 Page 48	Page 45 Page 48	Page 45 Page 48		

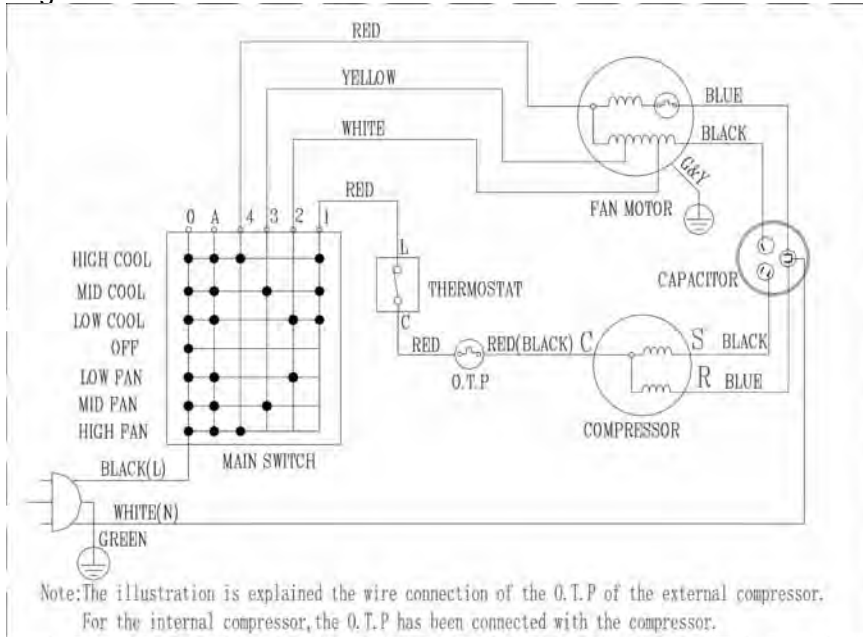
## FRIGIDAIRE MODEL SPECIFICATIONS

Model	FAC126P1A1	FAC126P1A2	FAC126P1A3		
<b>Chassis type</b>	Compact II	Compact II	Compact II		
<b>Capacity features</b>					
BTU - Cooling	12000	12000	12000		
BTU - Heating	-	-	-		
Moisture Removal	3.4	3.4	3.4		
EER	10.8	10.8	10.8		
<b>Electrical Information</b>					
Voltage	115	115	115		
Amps - Cooling	10.1	10.1	10.1		
Amps - Heating	-	-	-		
Watts - Cooling	1110	1110	1110		
Watts - Heating	-	-	-		
Fuse/Breaker (Amps)	15	15	15		
Receptacle Type	NEMA 5-15	NEMA 5-15	NEMA 5-15		
Power Cord Number	2241999002	2241999002	2241999002		
Power Cord Amps Min	15	15	15		
Wiring Diagram	2202049158	2202049158	2202049158		
Page #	Page 32	Page 32	Page 32		
<b>Air Flow System</b>					
Capacitor- $\mu$ farads	15/250	15/250	15/250		
Fan Motor Mfg.	Dayang	Sina	Welling		
Fan Motor Number	2240047010	2240047011	2240047009		
RPM/CMP (EVAP)					
High	1460/490	1460/490	1460/490		
Medium	-	-	-		
Low	-	-	-		
Heat Only	-	-	-		
<b>Refrigeration System</b>					
Compressor Mfg.	LG, Korea	LG, Korea	LG, Korea		
Compressor Number	QK164CDB	QK164CDB	QK164CDB		
Compressor Type	Rotary	Rotary	Rotary		
Overload Protector	2140160330	2140160330	2140160330		
Capacitor- $\mu$ farads	60/250	60/250	60/250		
Refrigerant Charge	27.2	27.2	27.2		
Restrictor Tube	2162049137	2162049137	2162049137		
Thermostat Type	Electronic	Electronic	Electronic		
<b>Installation Instructions</b>					
Kit Type	2282049504	2282049504	2282049504		
Part Number	Page 35	Page 35	Page 35		
<b>Control Thermostat Location Diagram</b>	Page 41	Page 41	Page 41		
<b>Condenser Fan and Evaporator Blower Location Diagram</b>	Page 45 Page 48	Page 45 Page 48	Page 45 Page 48		

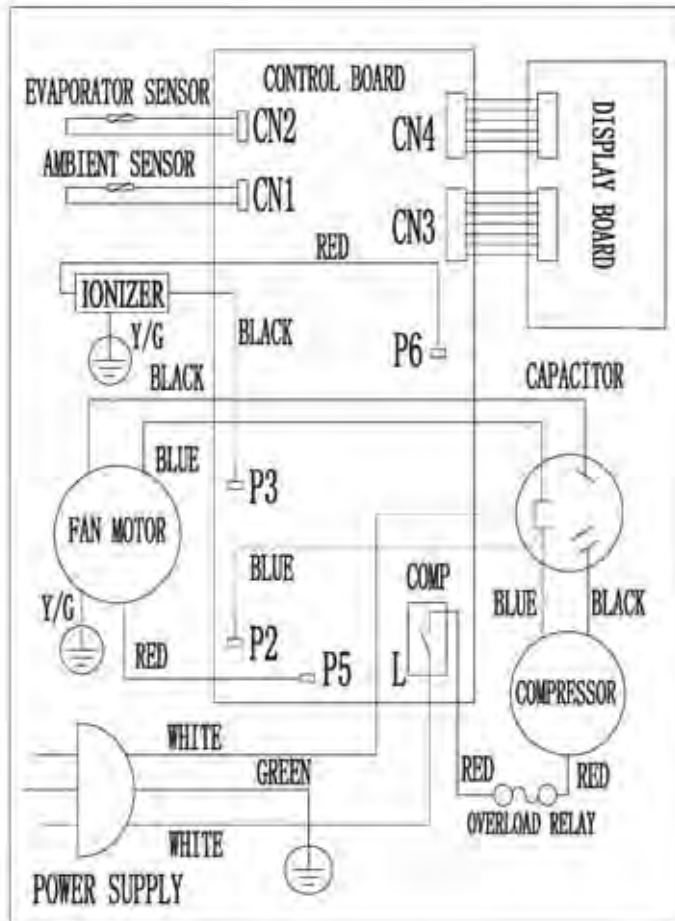
## FRIGIDAIRE MODEL SPECIFICATIONS

Model	FAC127P1A1	FAC127P1A2	FAC127P1A3		
<b>Chassis type</b>	Compact II	Compact II	Compact II		
<b>Capacity features</b>					
BTU - Cooling	12000	12000	12000		
BTU - Heating	-	-	-		
Moisture Removal	3.4	3.4	3.4		
EER	10.8	10.8	10.8		
<b>Electrical Information</b>					
Voltage	115	115	115		
Amps - Cooling	10.1	10.1	10.1		
Amps - Heating	-	-	-		
Watts - Cooling	1110	1110	1110		
Watts - Heating	-	-	-		
Fuse/Breaker (Amps)	15	15	15		
Receptacle Type	NEMA 5-15	NEMA 5-15	NEMA 5-15		
Power Cord Number	2241999002	2241999002	2241999002		
Power Cord Amps Min	15	15	15		
Wiring Diagram	2202049160	2202049160	2202049160		
Page #	Page 33	Page 33	Page 33		
<b>Air Flow System</b>					
Capacitor- $\mu$ farads	15/250	15/250	15/250		
Fan Motor Mfg.	Welling	Dayang	Sina		
Fan Motor Number	2240047009	2240047010	2240047011		
RPM/CMP (EVAP)					
High	1460/490	1460/490	1460/490		
Medium	-	-	-		
Low	-	-	-		
Heat Only	-	-	-		
<b>Refrigeration System</b>					
Compressor Mfg.	LG, Korea	LG, Korea	LG, Korea		
Compressor Number	QK164CDB	QK164CDB	QK164CDB		
Compressor Type	Rotary	Rotary	Rotary		
Overload Protector	2140160330	2140160330	2140160330		
Capacitor- $\mu$ farads	60/250	60/250	60/250		
Refrigerant Charge	27.2	27.2	27.2		
Restrictor Tube	2162049137	2162049137	2162049137		
Thermostat Type	Electronic	Electronic	Electronic		
<b>Installation Instructions</b>					
Kit Type	2282049504	2282049504	2282049504		
Part Number	Page 35	Page 35	Page 35		
<b>Control Thermostat Location Diagram</b>	Page 41	Page 41	Page 41		
<b>Condenser Fan and Evaporator Blower Location Diagram</b>	Page 45 Page 48	Page 45 Page 48	Page 45 Page 48		

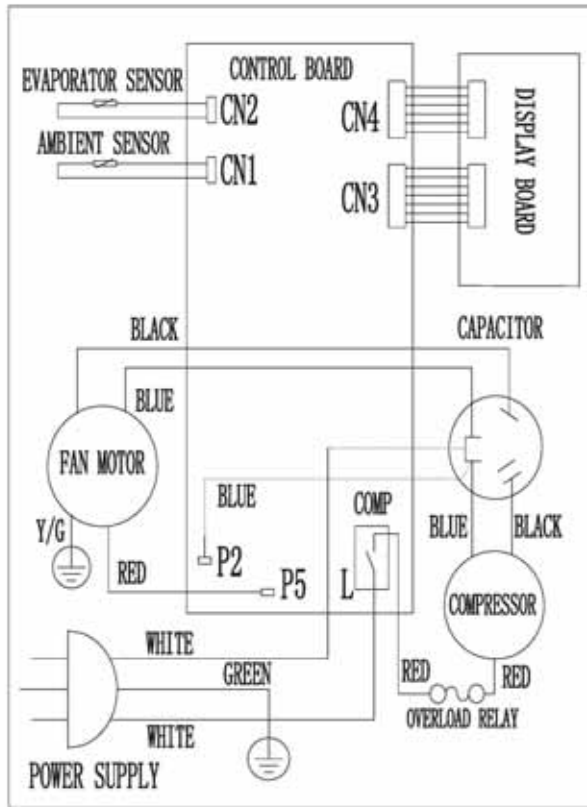
Wiring diagram 2202049172



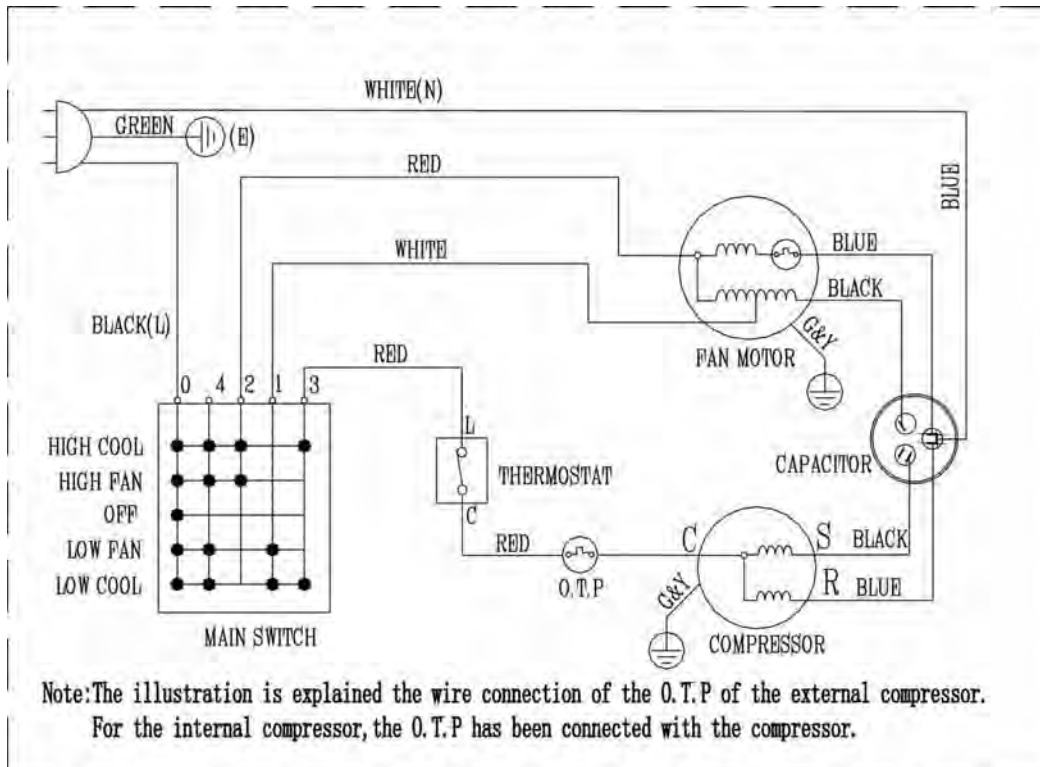
Wiring diagram 2202049158



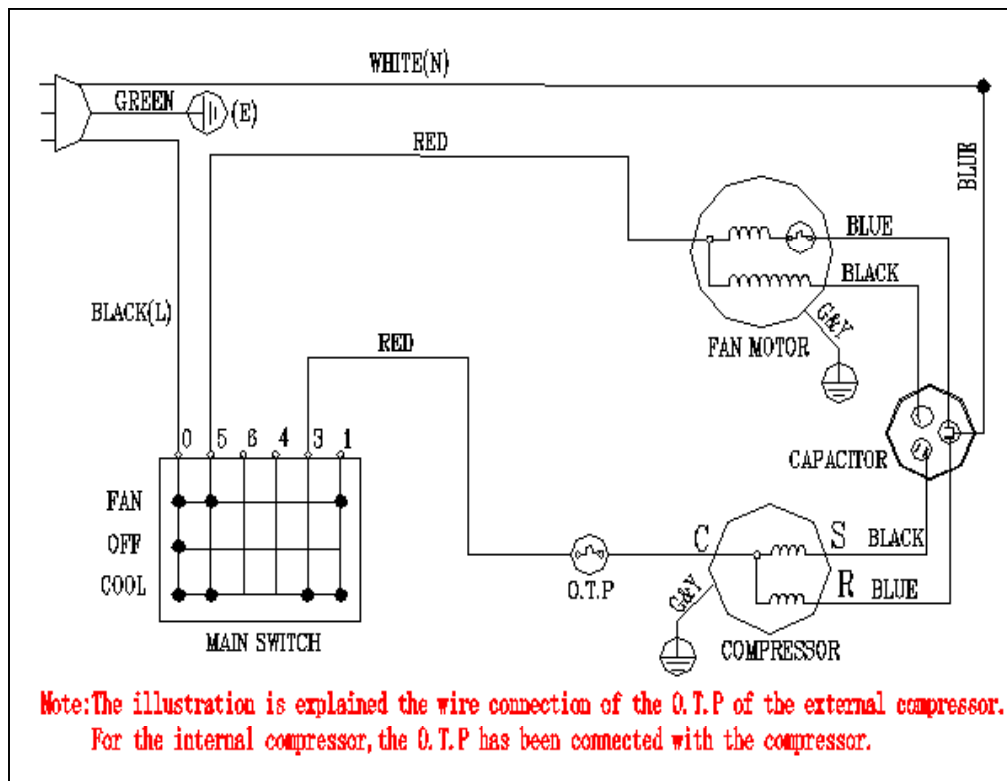
wiring diagram 2202049160



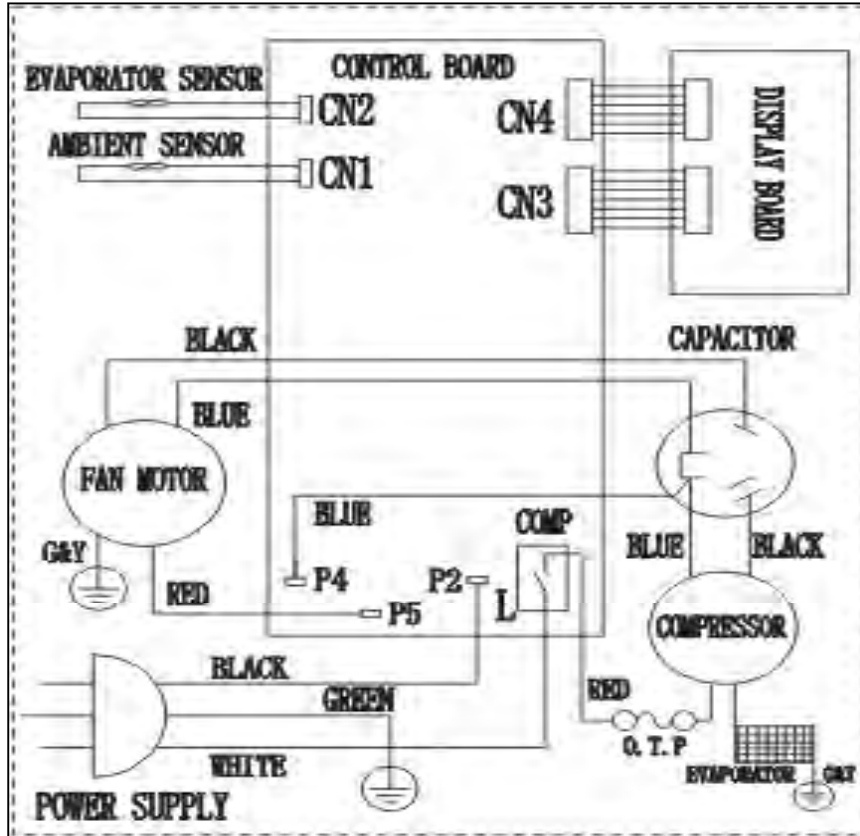
Wiring diagram 2202019177



Wiring diagram 2202019174



Wiring diagram 2202019178



Part list for 2282019010

No.	Part No.	Part Name	Quantity
	2112029002	Shutter locking bar	2
	2112029003	Shutter	2
	2112029004	Right shutter frame	1
	2112029005	Left shutter frame	1

Part list for 2282049504

No.	Part No.	Part Name	Quantity
1	2112049088	Shutter locking bar	2
2	2112049089	Shutter	2
3	2112049087	Right shutter frame	1
4	2112049086	Left shutter frame	1

Part list for 2282019011

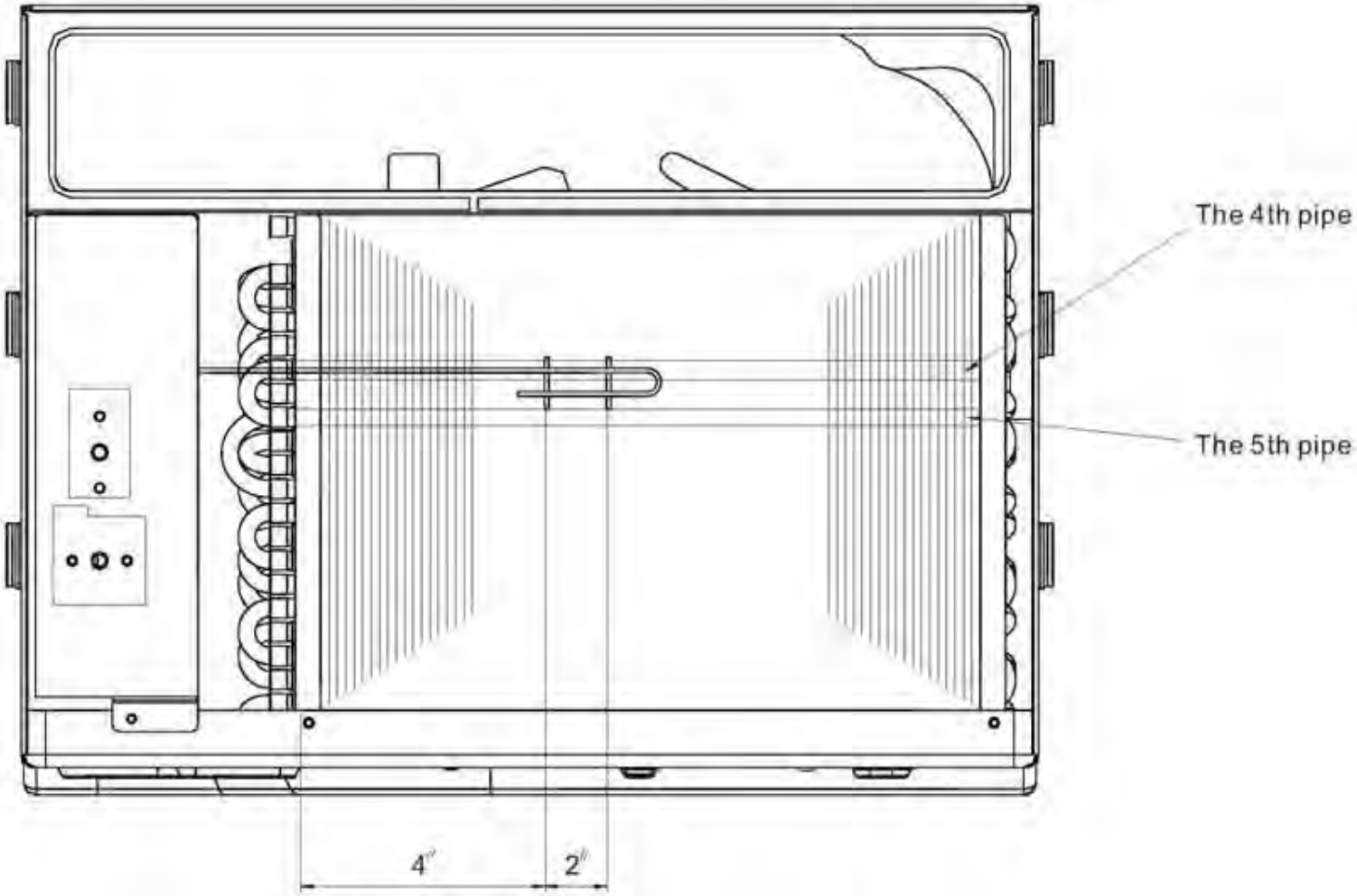
No.	Part No.	Part Name	Quantity
1	2112019159	Shutter locking bar	2
2	2112019158	Shutter	2
3	2112019155	Right shutter frame	1
4	2112019157	Left shutter frame	1



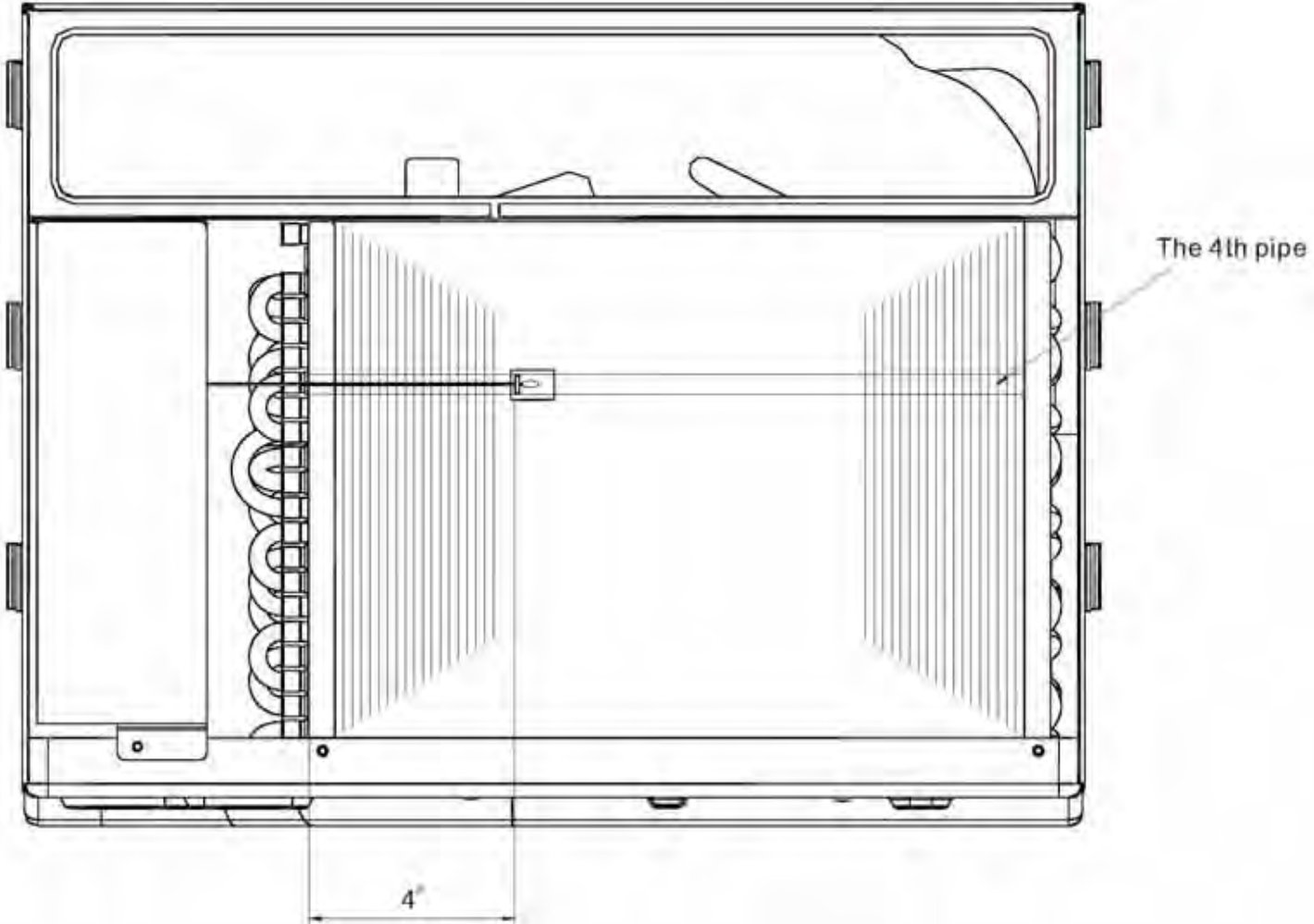
Part#	Used with compressor	Supplier part #	Opening Temp °C ± 5°C	Closing Temp °C ± 5°C	Short Time Trip	
					Test Amp	Opening Time - Sec
2140131210	SD074SW-P3BG	LOGN21A/BF900-KB	160 ± 10	70 ± 10	18A/22.5A	5~15Sec
2140200160	39R131ER-14P	MRA4757-380	130 ± 7	69 ± 11	22.5A	2~12Sec
		B210-130-241A	130 ± 7	65 ± 11	21A	2~12Sec
2140131240	SD074SW-P3BD	LOGN21A/BF900-KB	160 ± 10	70 ± 10	18A/22.5A	5~15Sec
2140200130	39R131ER-04P	MRA4757-380	130 ± 7	69 ± 11	22.5A	2~12Sec
		B210-130-241A	130 ± 7	65 ± 11	21A	2~12Sec
2140200150	39R141BD-04P	MRA58186L-325	145 ± 7	61 ± 11	26A	2~12Sec
		B245-140-141H	140 ± 7	71 ± 11	24.5A	2~12Sec
2140200140	39R191CD-05S	MRA12083L-9054	150 ± 7	69 ± 11	29.5A	6~16Sec
		B320-150-141E	150 ± 7	70 ± 11	32A	2~12Sec
2140021570	2R12S126A6J	MRA98706	150 ± 5	80 ± 9	26A	6~16Sec
2140063010	EH108X1CY-1DZDU3	B300-130-141E	130 ± 5	69 ± 11	30A	6~16Sec
2140200040	44R241AG-FES	MRA4789L-12038	150 ± 7	78 ± 11	39A	6.5~16Sec
2140021230	2P14S126B1G	MRA98694	135 ± 5	74 ± 9	29.5A	6~16Sec
2140200030	44R291AG-FES	B390-150B-141I	150 ± 7	78 ± 11	39A	2~12Sec
		MRA4789L-12038	150 ± 7	78 ± 11	39A	2~12Sec
2140131220	SD086UW-P3BG	LOGN21A/BF900-KB	160 ± 10	70 ± 10	18A/22.5A	5~15Sec
2140021580	2R11S3R126A6B	MRA98705	155 ± 5	74 ± 9	25.5A	6~16Sec
2140160360	QK141CBC	MRA12061-12026	150 ± 5	61 ± 11	40.5A	5~11Sec
2140160350	QK134CCB	MRA12061-12026	150 ± 5	61 ± 11	50.5A	5~11Sec
2140160340	QK164CBB	MRA12053-12027	150 ± 5	61 ± 9	41.5A	5~11Sec
2140160330	QK164CDB	MRA12061-12026	150 ± 5	61 ± 11	50.5A	5~11Sec
2140162220	QA075CDE	KA-122-LBGN61K	160 ± 5	69 ± 11	21.5A	5~16Sec
		MRA12112-12026	160 ± 5	69 ± 11	23A	5~16Sec



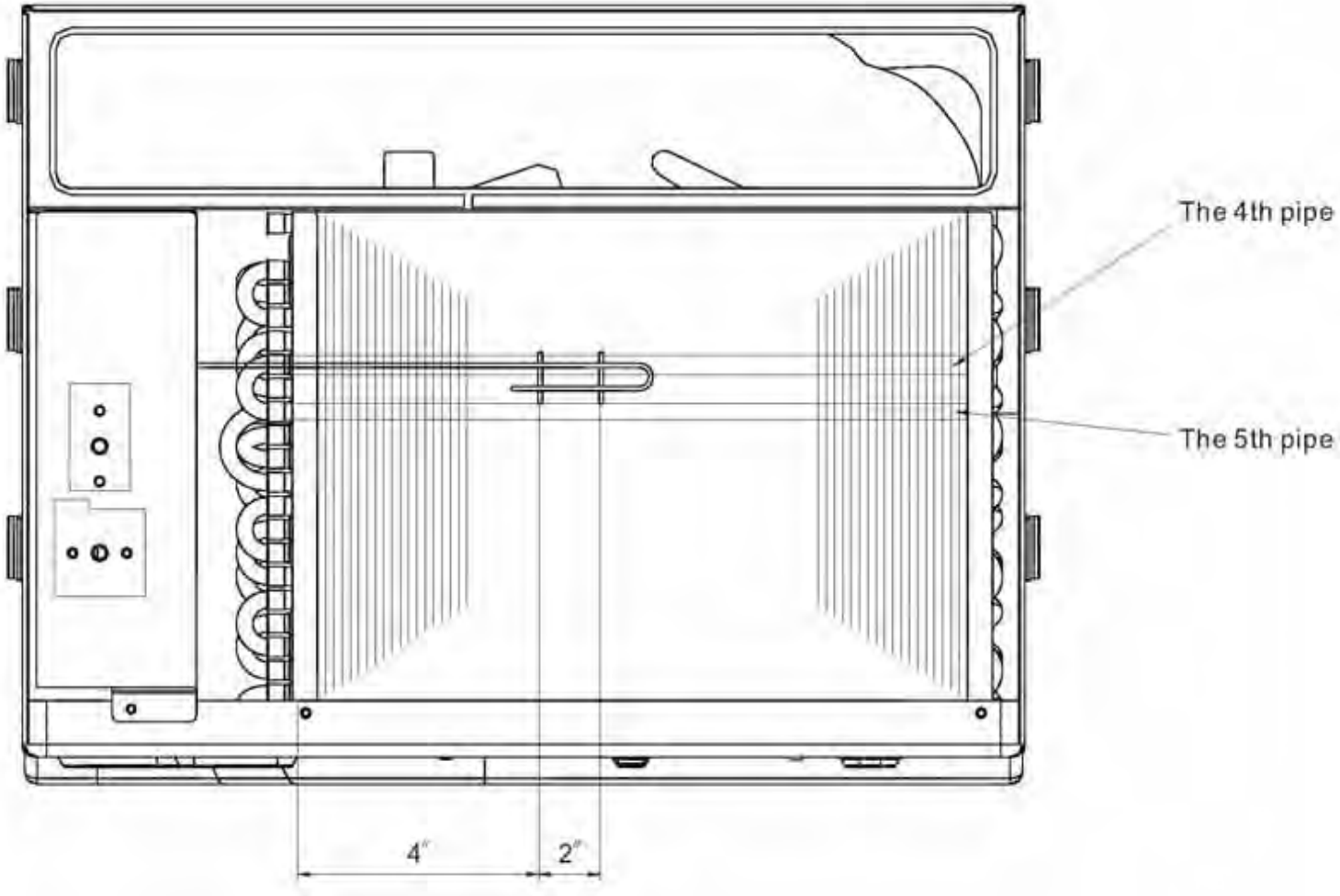
Control Thermostat Location diagram for MS II (1)



Control Thermostat Location diagram for MS II (2)

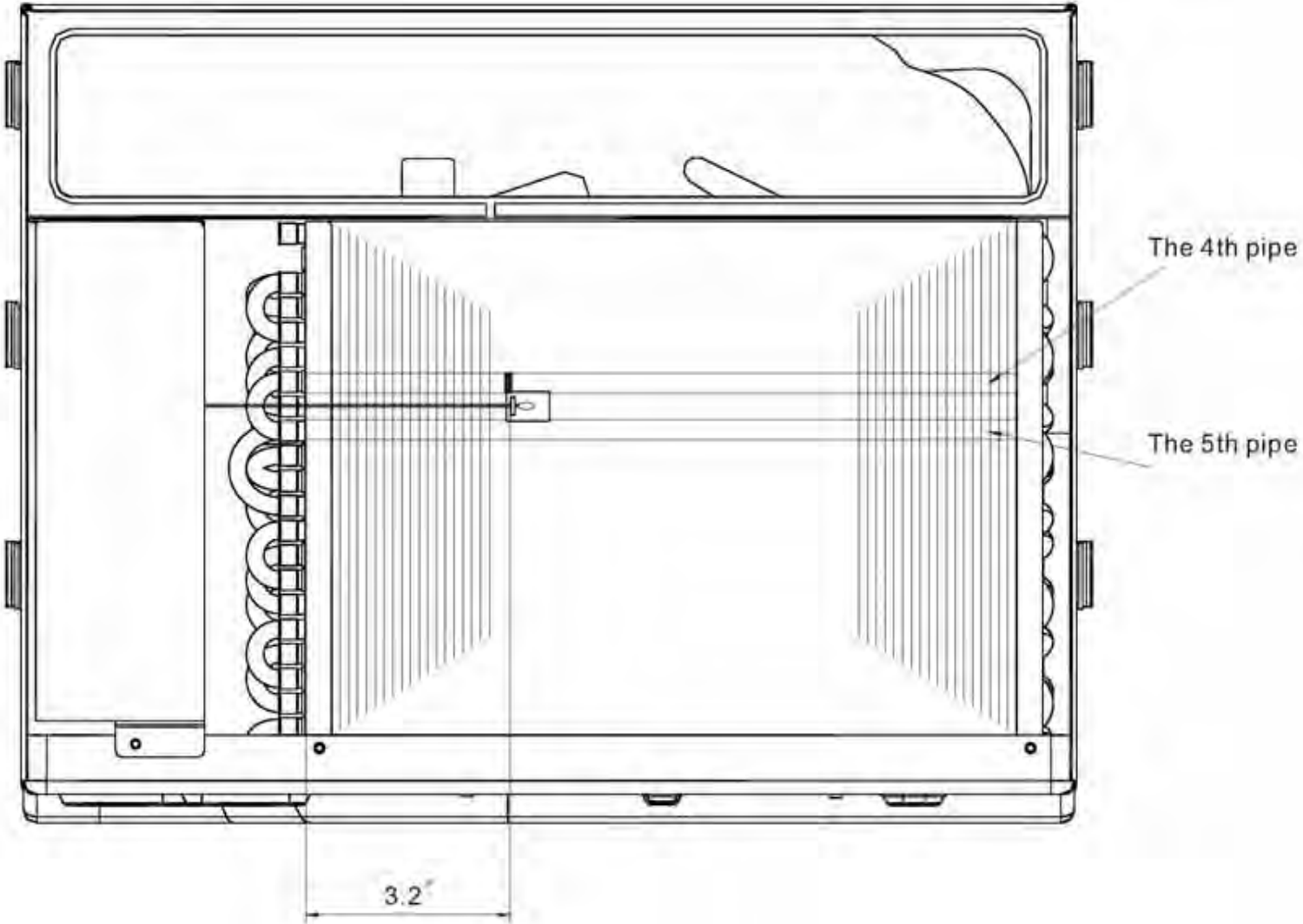


Control Thermostat Location diagram for Compact II (1)

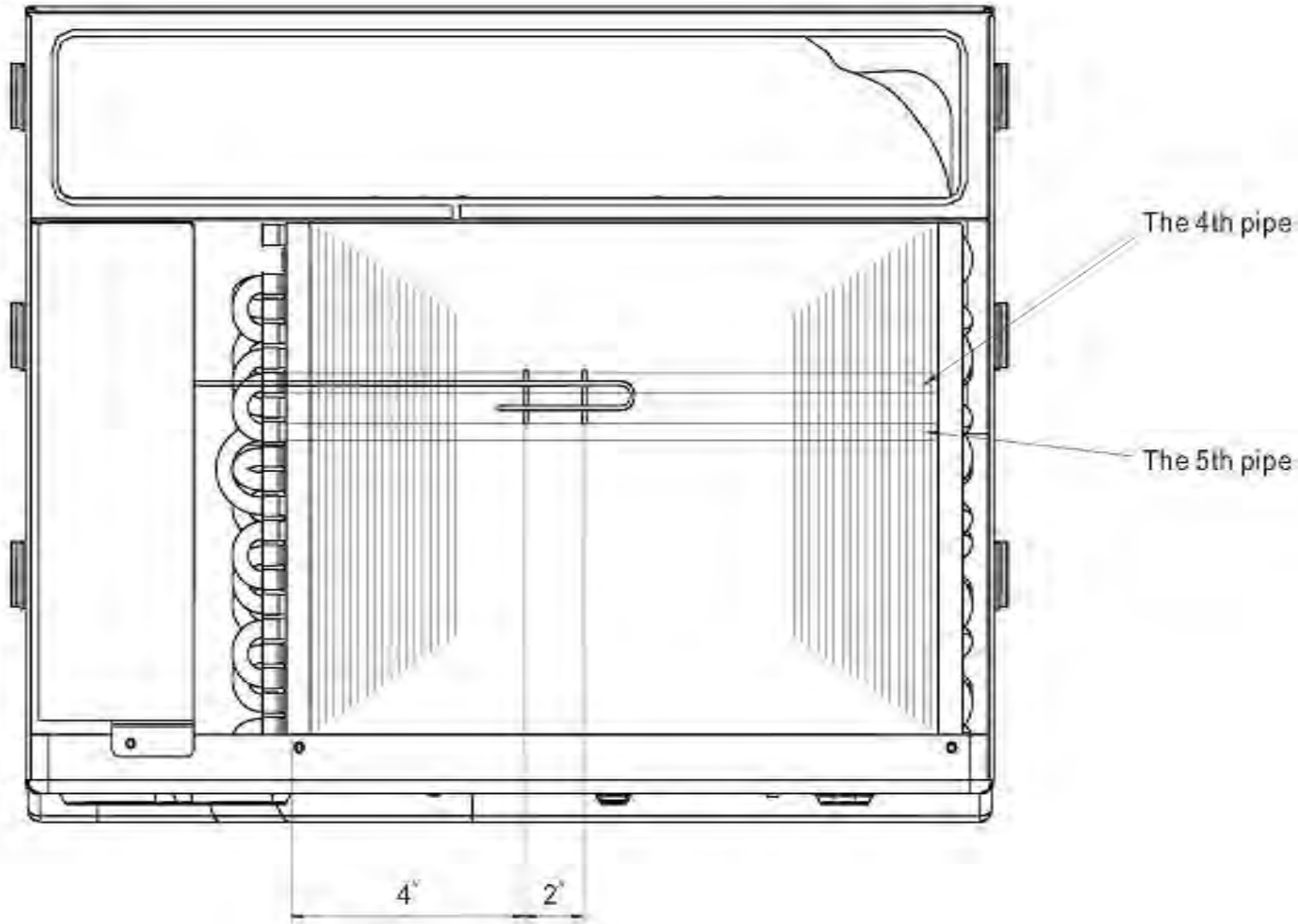


Control Thermostat Location diagram for Compact II (2)

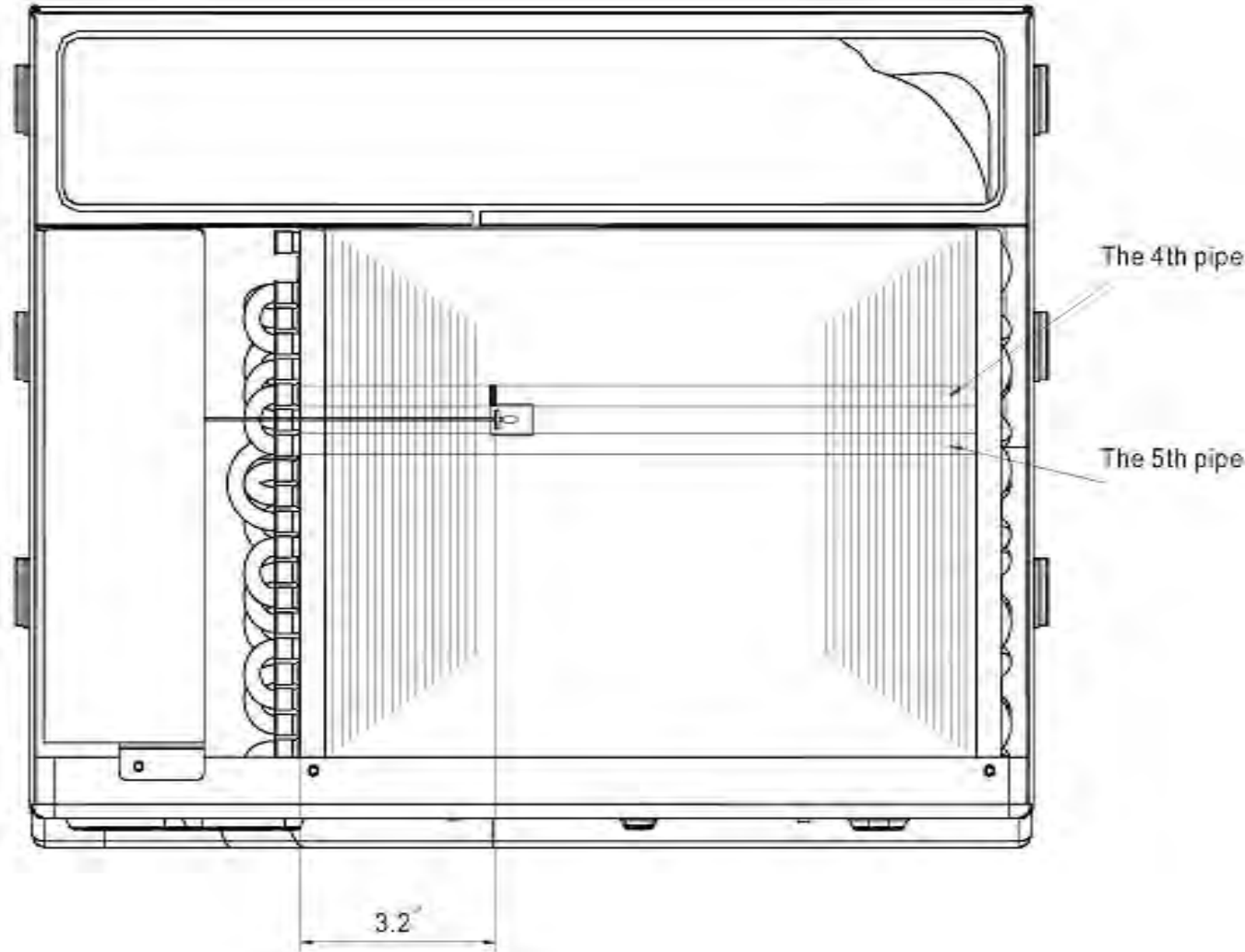
45



Control Thermostat Location diagram for OPP 5K (1)

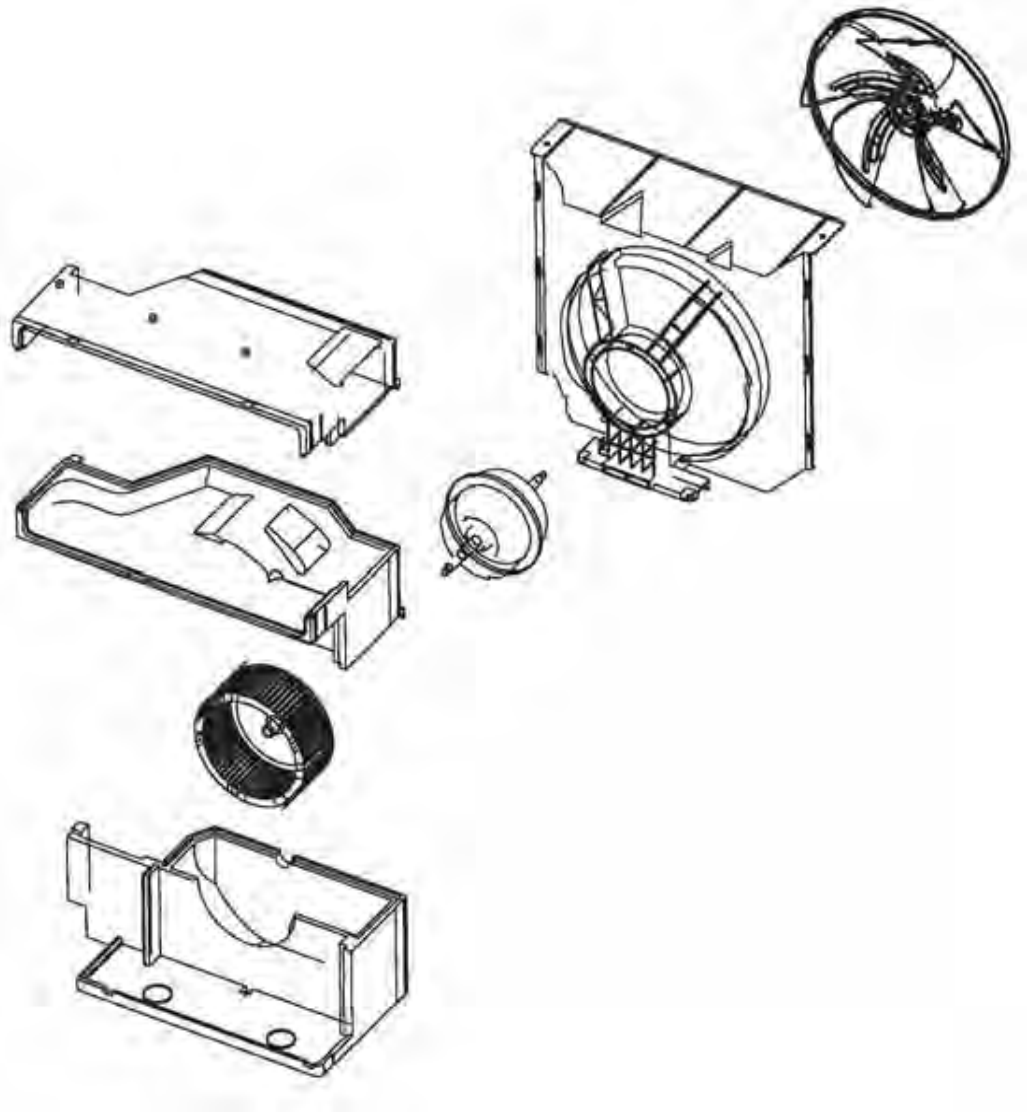


Control Thermostat Location diagram for OPP 5K (2)

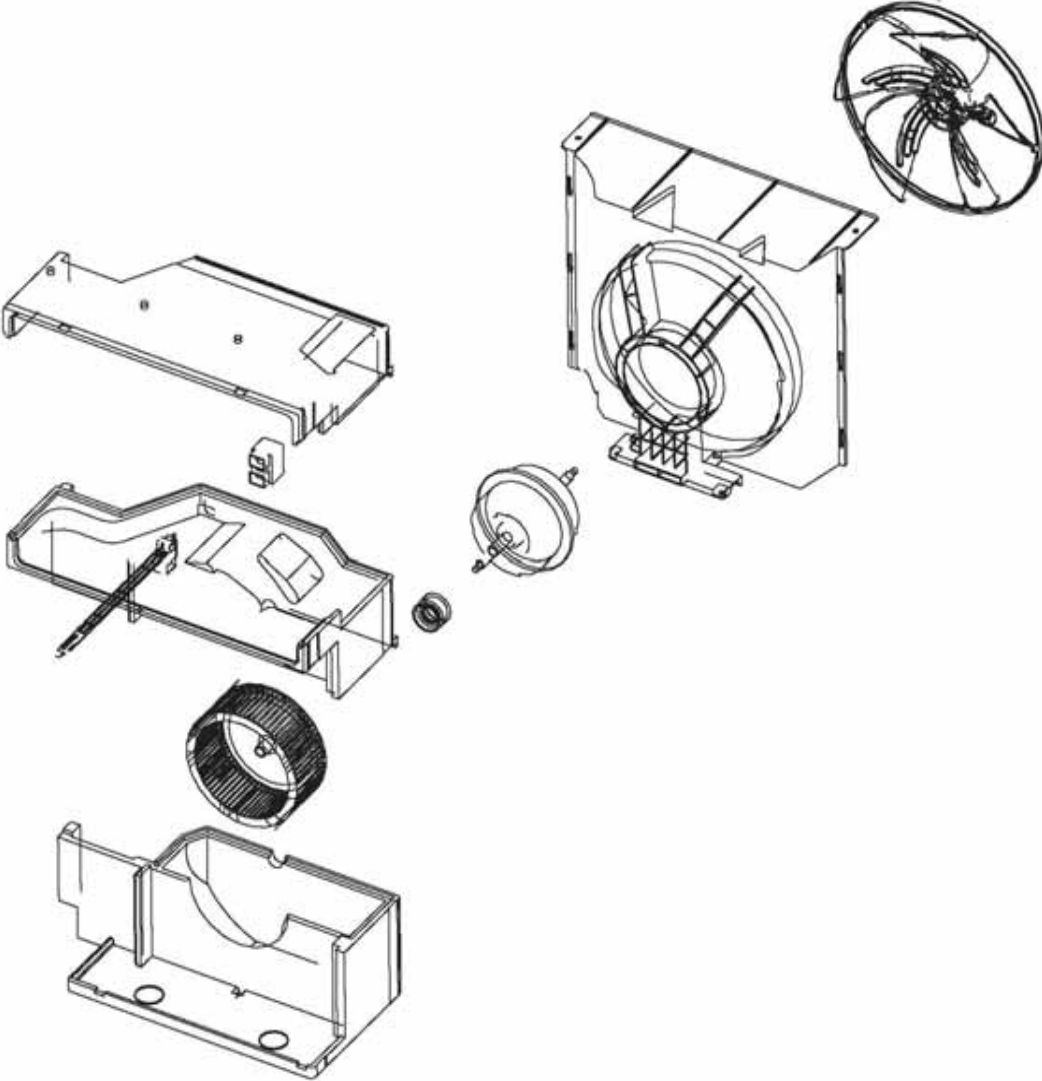




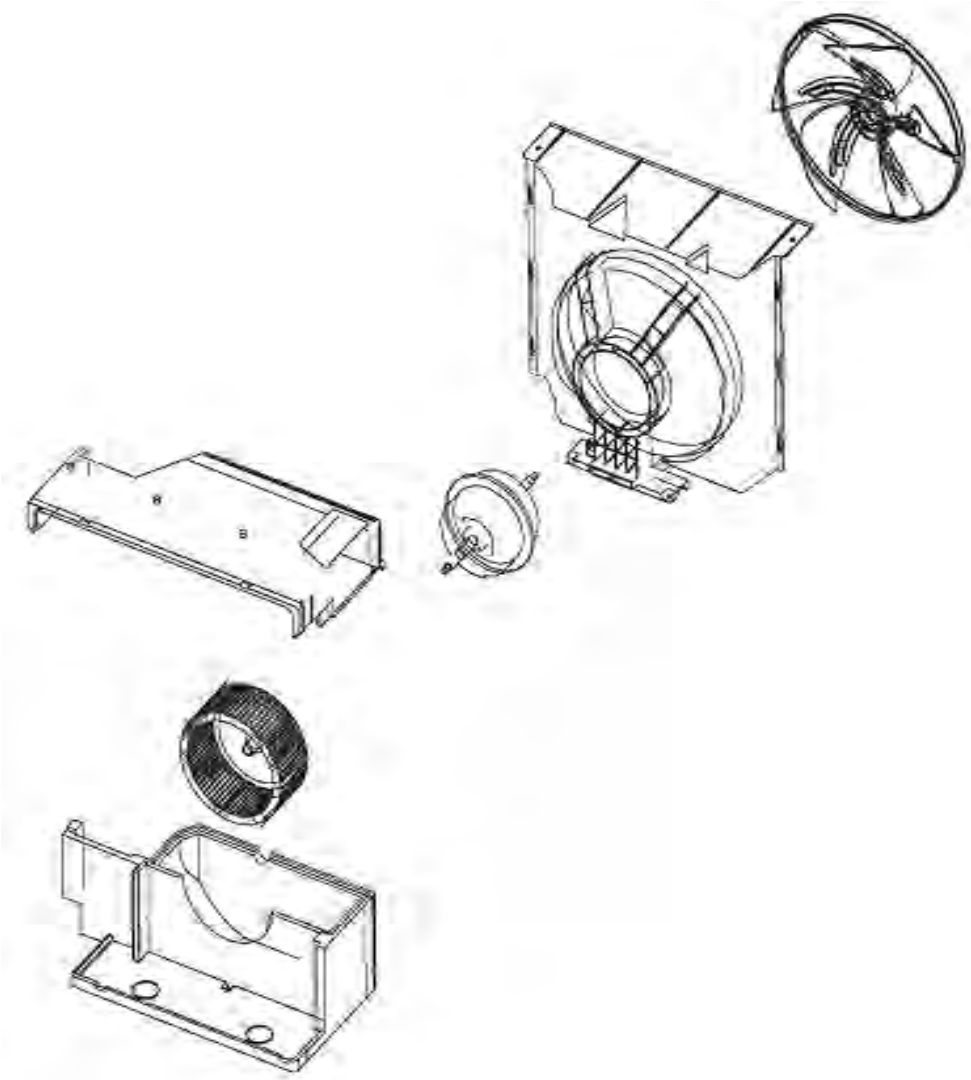
Condenser Fan and Evaporator Blower Location Diagram for MS II (1)



Condenser Fan and Evaporator Blower Location Diagram for Compact II (1)

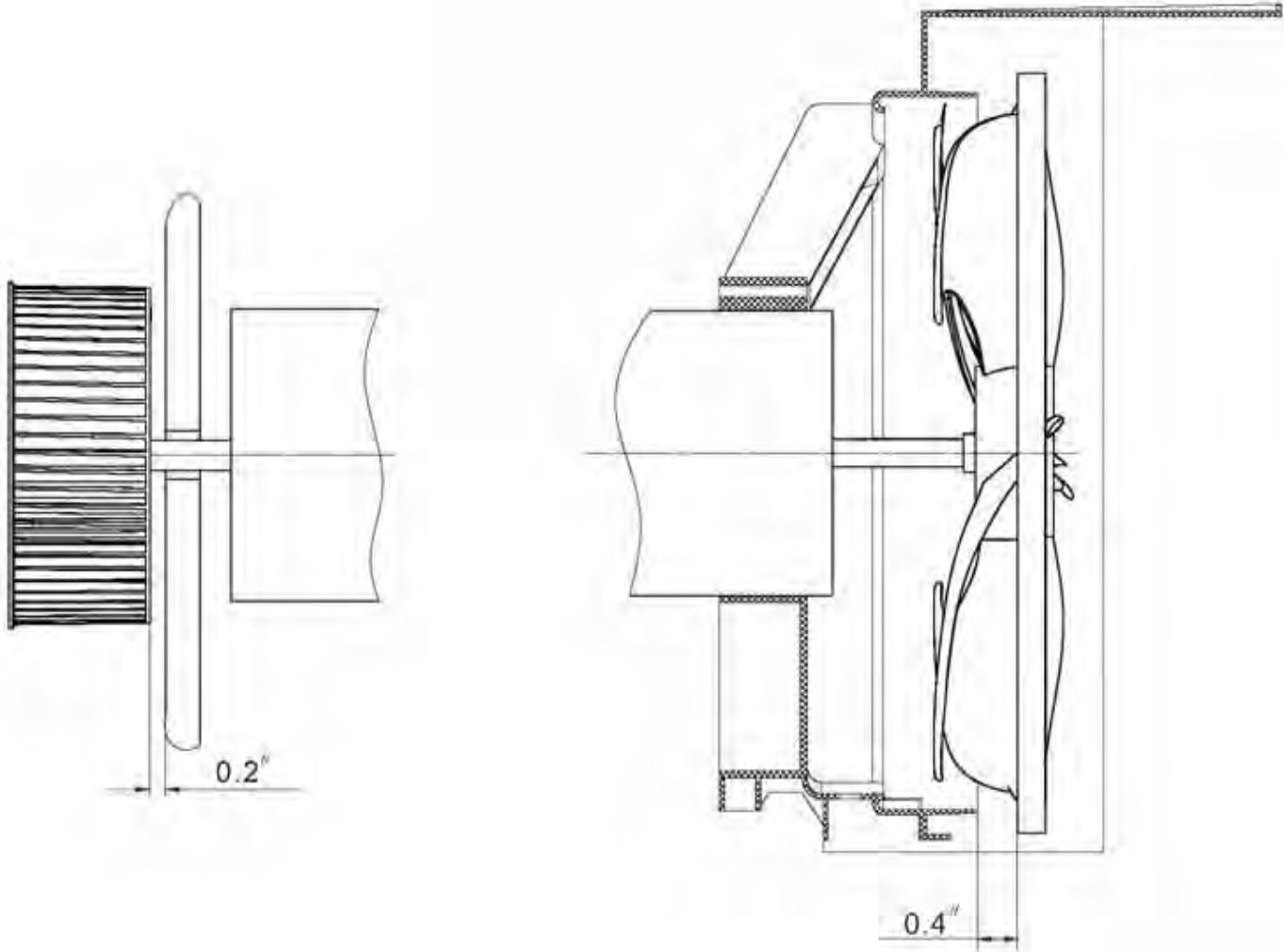


Condenser Fan and Evaporator Blower Location Diagram for OPP 5K (1)



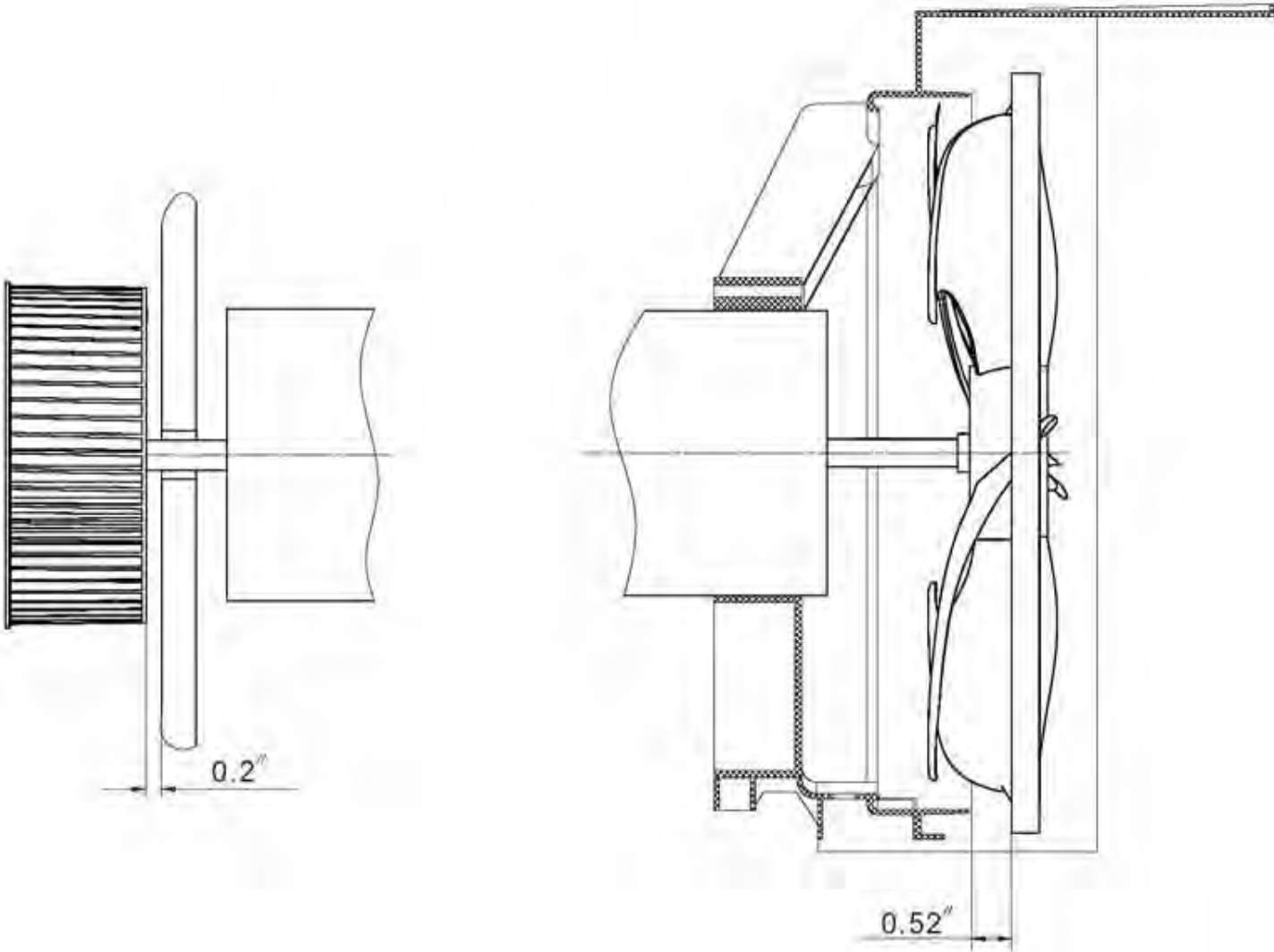
Condenser Fan and Evaporator Blower Location Diagram for MS II (2)

51

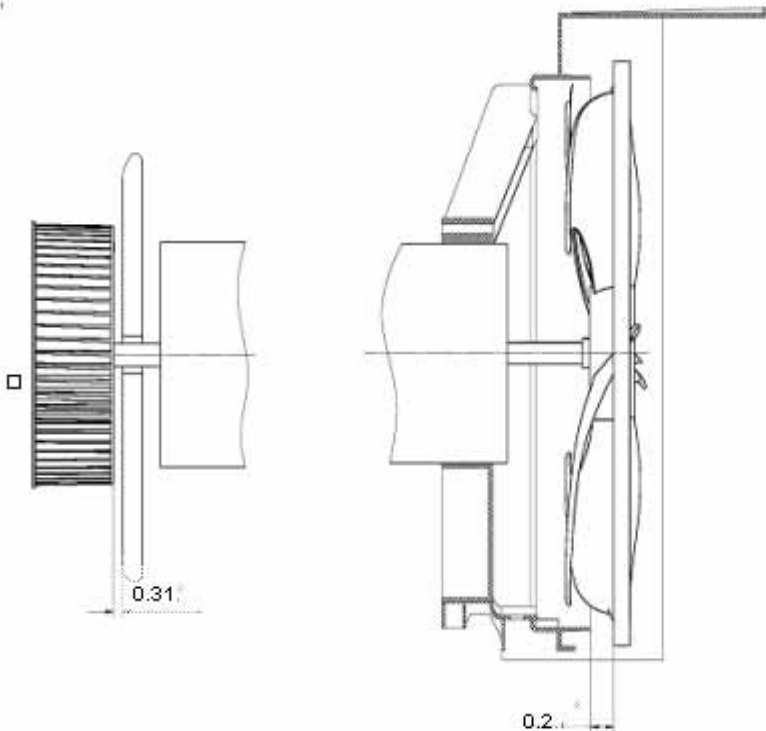


Condenser Fan and Evaporator Blower Location Diagram for Compact II (2)

52



Condenser Fan and Evaporator Blower Location Diagram for OPP 5K (2)



## FRIGIDAIRE MODEL SPECIFICATIONS

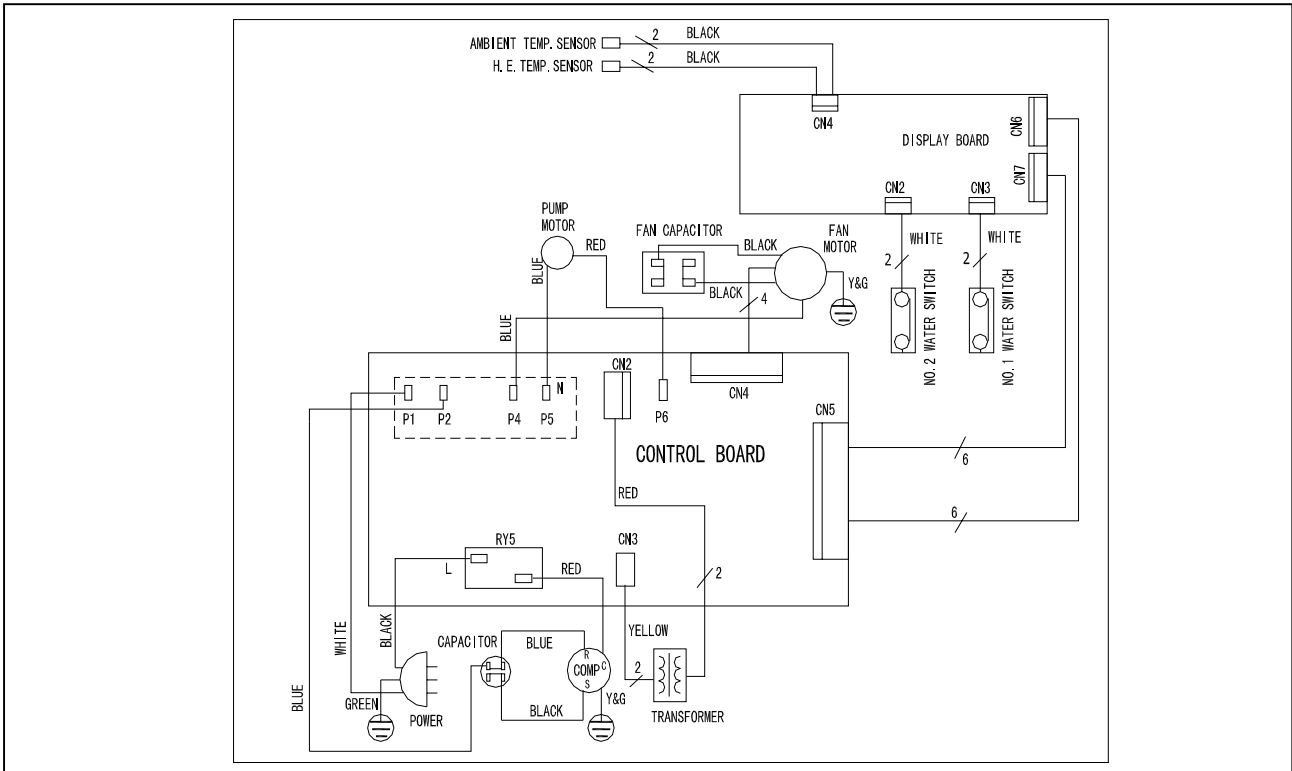
Model	FAP094P1Z1	FAP094P1Z2	FAP094P1Z3	
<b>Chassis type</b>	Poratble	Poratble	Poratble	
<b>Capacity features</b>				
BTU - Cooling	9000	9000	9000	
BTU - Heating	-	-	-	
Moisture Removal	2.3	2.3	2.3	
EER	8.7	8.7	8.7	
<b>Electrical Information</b>				
Voltage	115	115	115	
Amps - Cooling	9	9	9	
Amps - Heating	-	-	-	
Watts - Cooling	1030	1030	1030	
Watts - Heating	-	-	-	
Fuse/Breaker (Amps)	15	15	15	
Receptacle Type	NEMA 5-15	NEMA 5-15	NEMA 5-15	
Power Cord Number	2241999006	2241999006	2241999006	
Power Cord Amps Min	15A	15A	15A	
Wiring Diagram	2202509335	2202509335	2202509335	
Page #	Page 55	Page 55	Page 55	
<b>Air Flow System</b>				
Capacitor- $\mu$ farads	15/250	15/250	15/250	
Fan Motor Mfg.	Welling	Dayang	Sinya	
Fan Motor Number	2240047022	2240047023	2240047024	
RPM/CMP (EVAP)				
High	1060/290	1060/290	1060/290	
Medium	940/230	940/230	940/230	
Low	800/180	800/180	800/180	
Heat Only	-	-	-	
<b>Refrigeration System</b>				
Compressor Mfg.	GD Toshiba	GD Toshiba	GD Toshiba	
Compressor Number	EH120X1C-1DZU2	EH120X1C-1DZU2	EH120X1C-1DZU2	
Compressor Type	Rotary	Rotary	Rotary	
Overload Protector	Page 56	Page 56	Page 56	
Capacitor- $\mu$ farads	45/250	45/250	45/250	
Refrigerant Charge	17.64	17.64	17.64	
Restrictor Tube	Page 56	Page 56	Page 56	
Thermostat Type	Electrical	Electrical	Electrical	
<b>Installation Instructions</b>				
Kit Type	Page 56	Page 56	Page 56	
Part Number				
<b>Control Thermostat Location Diagram</b>	Page 57	Page 57	Page 57	
	-	-	-	
<b>Condenser Fan and Evaporator Blower Location Diagram</b>	Page 58	Page 58	Page 58	

## FRIGIDAIRE MODEL SPECIFICATIONS

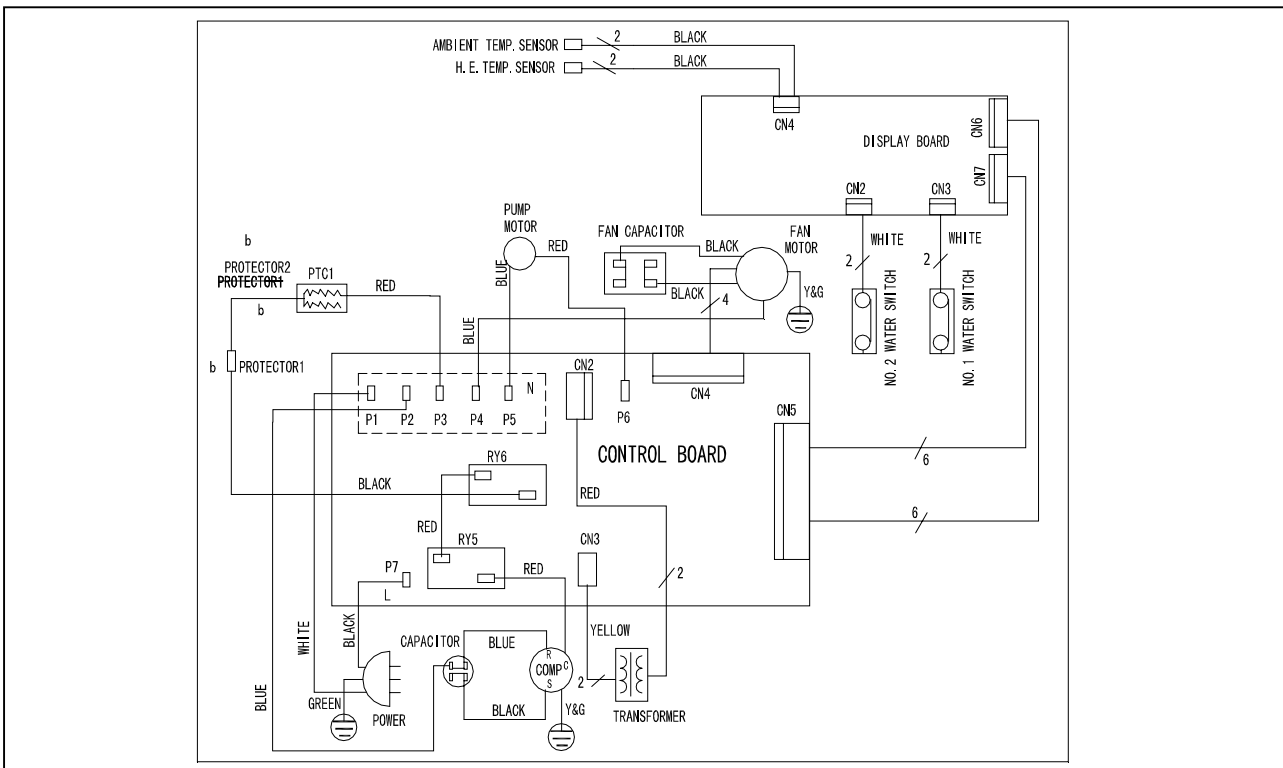
Model	FAP09EP1Z1	FAP09EP1Z2	FAP09EP1Z3	
<b>Chassis type</b>	Portable	Portable	Portable	
<b>Capacity features</b>				
BTU - Cooling	9000	9000	9000	
BTU - Heating	4100	4100	4100	
Moisture Removal	2.3	2.3	2.3	
EER	8.7	8.7	8.7	
<b>Electrical Information</b>				
Voltage	115	115	115	
Amps - Cooling	9	9	9	
Amps - Heating	10.4	10.4	10.4	
Watts - Cooling	1030	1030	1030	
Watts - Heating	1200	1200	1200	
Fuse/Breaker (Amps)	15	15	15	
Receptacle Type	A	A	A	
Power Cord Number	2241999006	2241999006	2241999006	
Power Cord Amps Min	15A	15A	15A	
Wiring Diagram	2202509334	2202509334	2202509334	
Page #	Page 55	Page 55	Page 55	
<b>Air Flow System</b>				
Capacitor- $\mu$ farads	15/250	15/250	15/250	
Fan Motor Mfg.	Dayang	Dayang	Dayang	
Fan Motor Number	2240047023	2240047023	2240047023	
RPM/CMP (EVAP)				
High	1060/290	1060/290	1060/290	
Medium	940/230	940/230	940/230	
Low	800/180	800/180	800/180	
Heat Only	-	-	-	
<b>Refrigeration System</b>				
Compressor Mfg.	GD Toshiba	GD Toshiba	GD Toshiba	
Compressor Number	EH120X1C-1DZU2	EH120X1C-1DZU2	EH120X1C-1DZU2	
Compressor Type	Rotary	Rotary	Rotary	
Overload Protector	Page 4	Page 4	Page 4	
Capacitor- $\mu$ farads	45/250	45/250	45/250	
Refrigerant Charge	17.64	17.64	17.64	
Restrictor Tube	Page 56	Page 56	Page 56	
Thermostat Type	Electrical	Electrical	Electrical	
<b>Installation Instructions</b>				
Kit Type	Page 56	Page 56	Page 56	
Part Number				
<b>Control Thermostat Location Diagram</b>	Page 57	Page 57	Page 57	
	-	-	-	
<b>Condenser Fan and Evaporator Blower Location Diagram</b>	Page 58	Page 58	Page 58	



Wiring diagram  
2202509335 for model FAP094P1Z



2202509334 for model FAP09EP1Z

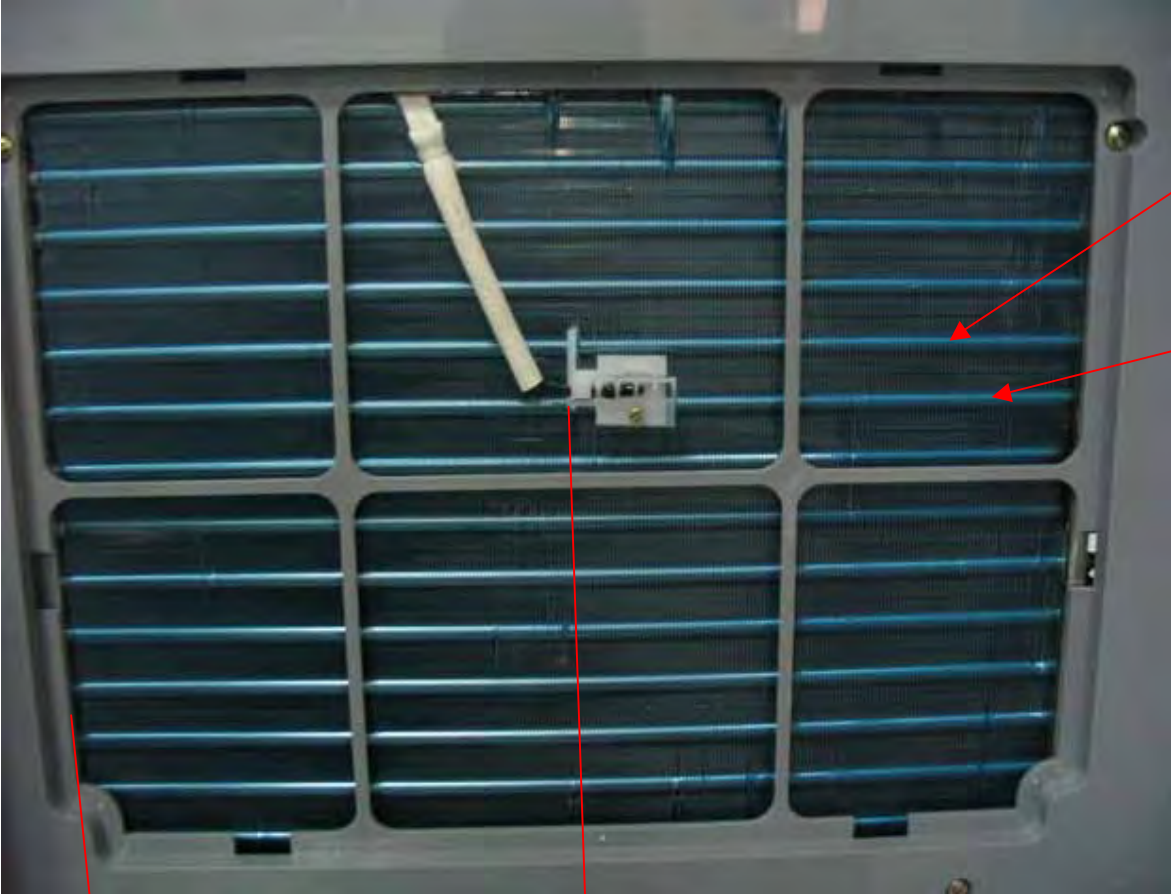


Part#	Used with compressor	Supplier part #	Opening Temp °C ± 5°C	Closing Temp °C ± 5°C	Short Time Trip	
					Test Amp	Opening Time - Sec
2140061930	EH120X1C-1DZU2	UP3QE0591-T36	150 ± 5	90 ± 10	35A	3-10Sec

Style #	Length	O.D.	I.D.	PSIG	CFM Dry Air	
					Min.	Max.
2162509111	27.6 + 27.6	0.098	0.043	20	0.865 + 0.865	0.936 + 0.936

**Installation kit**

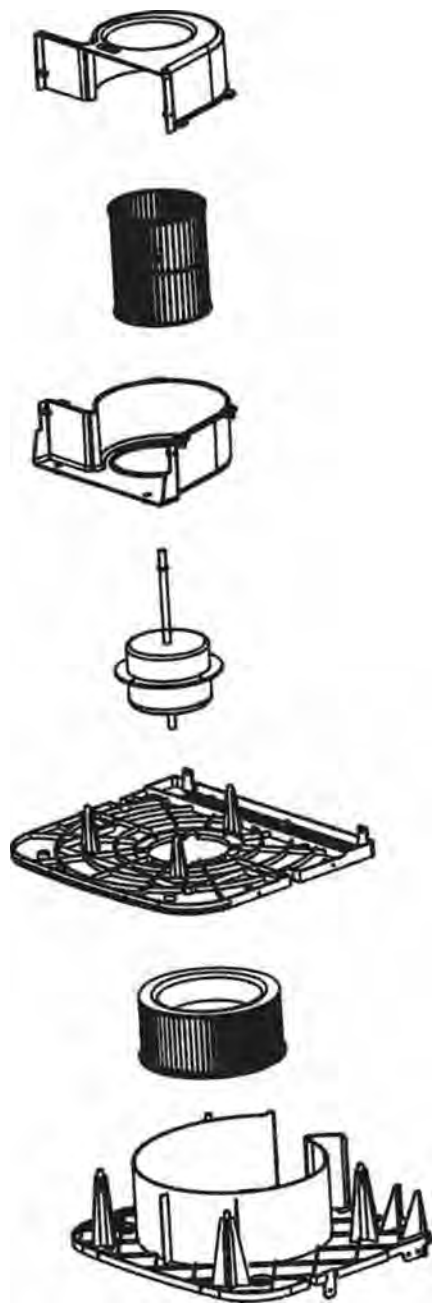
Part No.	Part Name	Quantities
2112500013	Outlet air duct tube	1
2112509001	Window seal board I	1
2112509063	Outlet air duct	1
2112509064	Outlet air duct ring	1
2112509538	Outlet air duct connector	1
2112509582	Window seal board II	1



The 5th pipe

The 6th pipe

7.48"



# ROOM AIR CONDITIONERS TROUBLESHOOTING

**CAUTION:** Review Safe Servicing Practices in the front of this manual before attempting diagnostic procedures and repairs.

## AIR CONDITIONER VOLTAGE LIMITS

NAMEPLATE RATING	MINIMUM	MAXIMUM
115 VAC	103.5 VAC	126.5 VAC
230 VAC	207 VAC	253 VAC
208/230	197.5 VAC	253 VAC

## AIR CONDITIONER VOLTAGE LIMITS

Low voltage is a common cause of trouble in the operation of any room air conditioner.

Improper voltage may cause one or more of the following problems:

1. Unit will not start.
2. Compressor motor cycling on motor protector.
3. Premature failure of motor protector.
4. Blown fuses.
5. Premature failure of compressor or fan motor.
6. Noticeable dimming of lights when air conditioner is running.
7. Evaporator icing. Low voltage may reduce fan speed resulting in inadequate air flow over evaporator, thereby allowing it to ice up.

Low voltage can also be the direct result of inadequately wired circuits, extension cords, or loose fuses and connections to the power supply. Voltage may also be a general condition in the area (a responsibility of the power company).

All units will start and run on the minimum voltage stated in the chart to the left, and will perform satisfactorily if the voltage remains constant. Low voltage caused by defective wiring will not remain constant under load.

To test for low voltage, use a reliable meter with sufficient capacity to measure the required voltage. Take measurements at the electric power entry point and at the electric outlet serving the air conditioner. Take readings with the unit off, while the unit is starting, and again while the unit is running. The lowest reading should not drop below the lowest value listed in the chart.

## HIGH VOLTAGE

High voltage can be equally troublesome, causing motors to overheat, cycle on their protectors, or break down electrically. This problem can only be solved by the power company.

## ELECTRONIC CONTROL

This control is not repairable. If any component in the control is defective, the entire control must be replaced.

**IMPORTANT NOTICE:** Repair or replace any malfunctioning line voltage component before testing or replacing the electronic control. **DO NOT** assume a service problem is directly caused by the electronic control system. A line voltage component (including power cord and wiring) that has opened, shorted, grounded or otherwise malfunctioned, may have created a service problem.

## SYMPTON

Fan motor will not run.

## POSSIBLE CAUSE

1. No power.
2. Power supply cord.
3. Selector switch.
4. Energy saving switch (if applicable).
5. Electronic control (if applicable).
6. Wire disconnected or connection loose.
7. Capacitor. (Discharge capacitor before testing.)
8. Defective fan motor windings.
9. Will not rotate. Fan blade hitting shroud or blower wheel hitting scroll. (Motor cycles on overload.)

Fan motor runs intermittently.

1. Cycle on motor protector.

## SYMPTON

## POSSIBLE CAUSE

Fan motor noisy.

1. Condenser fan blade or evaporator blower wheel.
2. Loose power clamp or set screw.
3. Worn bearings.
4. Grommets (if applicable).

Compressor will not run, but fan motor runs.

1. Voltage.
2. Wiring.
3. Selector switch.
4. Temperature control.
5. Capacitor. (Discharge capacitor before testing.)
6. Compressor.
7. Motor protector (external).
8. Motor protector (internal).
9. Electronic control (if applicable).
10. Hard starting.

Compressor cycles on motor protector.

1. Voltage.
2. Motor protector (external).
3. Motor protector (internal).
4. Fan motor.
5. Condenser air flow restriction.
6. Condenser fins damaged.
7. Capacitor.
8. Wiring.
9. Refrigerant system.

Insufficient cooling.

1. Low capacity.
2. Air filter.
3. Exhaust door open.
4. Unit undersized.

Excessive noise.

1. Evaporator blower wheel.
2. Condenser wheel.
3. Copper tubing.
4. Compressor internal noise.
5. Fan motor.

Excessive water or condensation.

1. Unit operating under extremely high humidity conditions.

No cooling.

1. Refrigerant leak.

Unit is cooling but room is not cool.

1. Amps and watts.
2. Sealed refrigeration system.

Wattage decreases slowly until abnormally low.

1. Undercharged, restricted strainer or plugged restrictor tube.

Wattage decreases immediately.

1. No refrigerant.
2. Compressor defective.

Wattage continuously high.

1. Refrigerant overcharge.

## SYMPTON

## POSSIBLE CAUSE

Evaporator coil partially frosted.

1. System low on refrigerant.

Evaporator completely iced.

1. Low outside temperature.

No heat.

1. No power.
2. Selector switch position.
3. Temperature control position.
4. Fan motor.
5. Heating element.
6. Selector switch.
7. Temperature control.
8. Terminals and connectors.

Fan motor will not rotate during heat cycle.  
(Heat/Cool models only.)

1. Thermostatic drain valve. (Water level control, if applicable.)