

TITAN

aerTECH™

MODELS

OD301US
OD301MUS
OD301MNZ

OS301US
OS301MUS
OS301MNZ



599125

Set Automatic/Delayed Time Cooking

- Check that the clock shows the correct time.
- Select upper or lower oven cavity by pressing **UPPER/LOWER** (for double ovens only).
- Press the **COOK TIME** button. “Cook Time” and “Auto” will flash and “00:00” will show in the oven display. Turn the **PRESS TO CLEAR** knob to select the desired length of cooking time (e.g. 2 hours). The maximum cook time that can be selected is 23 hours 59 minutes.
- To set the time the oven is to turn off, press the **STOP TIME** button. “Stop Time” and “Auto” will flash in the oven display. Set the stop time by turning the **PRESS TO CLEAR** button.
- Choose the cooking mode and temperature required. These settings will automatically be adopted after 8 seconds, or you can press the **STOP TIME** button.

Each of the steps in setting Automatic/Delayed Time Cooking must be started within 8 seconds of the previous step being completed, otherwise the clock display will revert to the time of day and the process will have to be started over again.

If there is time to wait before cooking starts, “Delay” and “Auto” will show in the clock display along with the current time. The oven mode and temperature displays will dim.

The oven mode and temperature dials will still function as in manual operation. They can be altered prior to or during cooking, and the oven can be manually turned off before the set Cook Time has elapsed.

During cooking, “Auto” and the remaining cook time will be shown in the clock display. When the Cook Time is finished, the oven will beep and cooking will cease. The temperature and oven mode displays will dim and “Cook Time” and “Auto” will flash in the clock display. If the oven mode and temperature dials are turned to OFF, the oven will revert to normal operation after 8 seconds.

The Automatic/Delayed Time function can be cancelled at any time by turning the temperature and oven mode dials to OFF. After 8 seconds the clock display will revert to time of day.

Set Automatic Stop Cooking

Press the **STOP TIME** button and turn the **PUSH TO CLEAR** knob to display the time the oven is to switch off. Then choose the cooking mode and temperature. These settings will be adopted and will activate after 8 seconds. "Auto" and the remaining cook time will show in the clock display. When the selected cooking time is finished, the oven will beep and cooking will cease. The temperature and oven mode displays will dim and "Cook Time" and "Auto" will flash in the clock display. If the oven mode and temperature dials are turned to OFF, the oven will revert to normal operation after 8 seconds.

User Select Modes

This allows the user to configure some of the settings displayed on the control panel. To enter User Select mode, ensure that the oven mode and temperature dials are off and that no automatic/delayed start programs are operating. Press and hold the **TIMER** and then **CLOCK** buttons and hold down together until the oven beeps (about 2 seconds). The oven mode display (left hand one on dual ovens) will display "User Select".

The user select modes that can altered are as follows:

Sabbath Mode

Sabbath mode is designed for religious faiths that observe a "no work" requirement on the Sabbath. When the oven is in Sabbath mode:

- The oven will not turn off automatically.
- Clock, temperature and oven mode displays will be disabled.
- No tones will sound.
- No error messages or temperature changes will be displayed.
- The oven cavity lights are on.

To set the Sabbath mode:

- Enter the User Select mode.
- Turn the oven mode dial until "Sab Mode" appears in the display.
- Turn the **PUSH TO CLEAR** knob to select the length of time the oven is to be kept in Sabbath mode. The maximum is 99 hours in 1 hour steps. Turn the temperature dial to select a temperature. Bake is the only oven mode that can be used in Sabbath mode.
- To start Sabbath mode, press **PUSH TO CLEAR**. The oven mode will show "Sab Mode" with no back light. The temperature display will show "---". Temperatures can be adjusted but the display will not change.

- In double oven models, different temperatures can be selected for upper and lower cavities by using their temperature dials. The oven mode dial for the lower oven must be turned to True Aero to activate the oven, although it will operate in Bake.
- The oven can be turned off at any time during the Sabbath mode by turning the oven mode and temperature dials to the OFF position.
- The oven will not revert to normal operation until the set time has elapsed. Sabbath mode can be exited at any time by pressing the **PUSH TO CLEAR** button for 5 seconds.

Temperature Scale

The temperatures can be displayed as either Fahrenheit or Celsius.

To change the temperature display:

- Enter the User Select mode.
- Turn the oven mode dial until “Temp Scale” appears in the display.
- Press the **PUSH TO CLEAR** button to select either “C” or “F” in the clock display.
- Press the **CLOCK** button to activate.

Short Alert

By default setting, Short Alert is off and the audible beep will sound continuously at the end of cooking functions until cancelled by pressing the **PUSH TO CLEAR** button. When Short Alert is on, an audible beep will sound 5 times at the end of automatic cooking functions and when the timer finishes. After 5 beeps, the alert will stop, then repeat every 5 minutes until cancelled by pressing the **PUSH TO CLEAR** button. The clock display will flash continuously until cancelled.

To set the Short Alert:

- Enter the User Select mode.
- Turn the oven mode dial until “Short Alert” appears in the display.
- Press the **PUSH TO CLEAR** button to select either “ON” or “OFF” in the clock display.
- Press the **CLOCK** button to activate.

Time Mode

The clock display can be altered to show the time in either a 12 hour or 24 hour format.

To change the clock display:

- Enter the User Select mode.
- Turn the oven mode dial until “Time Mode” appears in the display.
- Press the **PUSH TO CLEAR** button to select either “12H” or “24H” in the clock display.
- Press the **CLOCK** button to activate.

Show Clock

This function can be used to hide the time in the clock display. All other functions, such as Timer, will continue to be shown as normal in the clock display when the time is hidden.

To hide the clock display:

- Enter the User Select mode.
- Turn the oven mode dial until “Show Clock” appears in the display.
- Press the **PUSH TO CLEAR** button to select either “ON” or “OFF” in the clock display. Selecting “OFF” will hide the clock display.
- Press the **CLOCK** button to activate.

Language

This can be set to display the various settings in either American English (US), English (EN), French (FR) or Spanish (SP).

To change the language setting:

- Enter the User Select mode.
- Turn the oven mode dial until “Lang US” appears in the display.
- Press the **PUSH TO CLEAR** button to select “US”, “EN”, “FR” or “SP” in the clock display.
- Press the **CLOCK** button to activate.

Oven Reset

This will reset the Temperature Scale, Short Alert, Time Mode and Show Clock to the default settings. Sabbath Mode and Language settings will remain unaffected.

To reset:

- Enter the User Select mode.
- Turn the oven mode dial until “Reset” appears in the display.
- Press the **PUSH TO CLEAR** button to select “OFF” in the clock display.
- Press the **CLOCK** button to activate.

Diagnostics

Entering the Technician Mode

- (a) Ensure all oven modes and temperature displays are set to “OFF”.
- (b) Ensure no cooking auto functions are set.
- (c) Enter User Set Mode by pressing and holding the **TIMER** button and then the **CLOCK** button. Hold for 2 seconds.
- (d) Turn the oven mode knob counter clockwise one position.
- (e) Enter Sales Mode by pressing and holding the **TIMER** button and then the **PROBE** button. Hold for 5 seconds.
Note: If left in the Sales Mode, only the oven displays will operate.
- (f) Return the oven mode knob back to its original position.
- (g) Enter Technician Mode by pressing and holding the **TIMER** button and then the **STOP TIME** button. Hold for 2 seconds.
- (h) The Oven Mode Display will now show “TECH SELECT”.
Note: The clock display will show the version of software installed in the product.
- (i) The oven is now in Technician Mode. Oven diagnostics can be carried out.

Exiting the Technician Mode

- (a) To exit Technician Mode at any time, press any button other than **CLEAR** or **TIMER**.

Technician Mode Navigation

- (a) Ensure the Oven Mode Display shows "TECH SELECT". (Refer to Entering Technician Mode above.)
- (b) Use the Oven Mode knob to navigate through the 19 Tech Select positions.

Note: If any position from 1 to 11 is selected, the components ON / OFF status is displayed in the oven temperature display. Push the clock twist button to turn the component ON or OFF.

When an element is turned ON the cavity temperature will be displayed instead of "ON".

Knob Position (clockwise)	Oven Mode Display	Description
1	TOP INNER	Broil/Grill Element Inner.
2	TOP OUTER	Broil/Grill Element Outer.
3	FAN ELEMNT	Fan Element and Oven Fan.
4	OVEN FAN	Oven Cavity Fan.
5	THROAT ELEMNT	Throat Element.
6	LOWER ELEMNT	Base Element.
7	COOLNG FAN	Cooling Fan.
8	CAT ELIM	Catalytic Smoke Eliminator.
9	CAVITY LIGHT	Cavity Lights.
10	LOCK MOTOR	Lock Motor.
11	VENT FAN	Exhaust Fan.
12	NUM CLEAN	Number Of Pyro Cycles performed. (Number of times oven has reached 912°F (490°C))
13	CLOCK TEMP	Clock Module Temperature.

14	PWR MD TEMP	Power Module Board Temperature.
15	MAX BOARD	Maximum Temperature recorded on any Board. (Push " CLEAR " to reset value)
16	CAVITY TEMP	The Cavity Temperature measured by the sensor.
17	FAULT CODE	The two most recent Fault Codes are displayed. (Refer to Note 1)
18	NUM DAYS	Shows the number of days the product has been on.
19	DOWN LOAD	Shows that data can now be downloaded. (Press " CLEAR " to begin Smart Tool Download)

Note 1:

When "FAULT CODE" is selected, the oven temperature display will show the two most recent fault codes in the following temperature knob positions. If "OFF" is displayed, then there are no faults logged.

Temperature Knob Position	Description
0	Most Recent Fault
1	2 nd Most Recent Fault

If the same fault occurs consecutively it will only be recorded as one fault. If the Most Recent Fault code is cleared from the log it will then be recorded as the 2nd Most Recent Fault. The Most Recent Fault position will be left blank.

Note: To clear a fault code from the log push **CLEAR** when it is displayed in the temperature display.

Accessing Technical Data Log

- (a) Enter Technician Mode (refer to previous page).
- (b) Choose Tech Select option "DOWN LOAD"
- (c) Hold the Fisher & Paykel "Smart Tool" download pen up to the clock module display (top left corner) to initiate download.
- (d) Data can now be viewed on the PC.

Technical Data Log

The Technical Data Log has a PC interface containing several sections of information. These sections can be viewed as follows.

(a) Info Section:

This section contains general identification information for the oven.

(b) Current/Previous Fault Information Sections:

There are four sections displaying information on the two most recent fault codes for each oven cavity. The information contained details the oven settings, electronic board temperatures and the status of all oven outputs at the time the fault occurred.

(c) Status Section:

This section details all the current user settings and the electronic software and hardware details.

Also included are the following details:

- The number of times each oven cavity was self-cleaned.
- The clock module board maximum temperature.
- The day the maximum temperature occurred.
- The number of days the oven has been in operation since the power-up.
- The number of times the door has been opened.

(d) Function Log Section

This section details the last ten oven modes used and the oven settings the user selected.

(e) Self-Clean Log Section

This will record the last five self-clean cycles.

The following data will be recorded when the oven cavity temperature exceeds 550°F (288°C) and a self-clean cycle is set.

- Day number the Self-Clean Mode was used.
- Heat up time between 550°F (288°C) and the maximum temperature.
- Maximum oven cavity temperature reached during Self-Clean.

Fault Codes

F1 displayed in Tech Select only

Maximum allowable temperature (185°F, 85°C) around the electronics was exceeded.

Procedure:

- Check for cooling fan fault or vent blockages.

Fault Code F2 displayed

Maximum allowable cavity temperature was exceeded during Self-Clean Pyro cycle.

Procedure:

- Check for temperature sensor faults.
- Check for oven element faults.
- Replace the power module if no other component faults can be found.

Fault Code F3 displayed

The oven temperature is sensed at over 600°F (315°C) during normal cooking operation.

Procedure:

- Check for temperature sensor fault.
- Check for oven element faults.
- Replace the power module if no other component faults can be found.

Fault Code F4 displayed

A fault occurred in the power module.

Procedure:

- Check all the connections to the power module and clock module.
- If the fault code re-occurs, then replace the power module.

Fault Code F5 displayed

A communications error occurred between the clock module and the power module.

Procedure:

- Ensure that the connection between the power module and clock module is secure.
- If the fault code re-occurs, then replace the power module.

Fault Code F7 displayed

Oven door lock fault occurred.

Procedure:

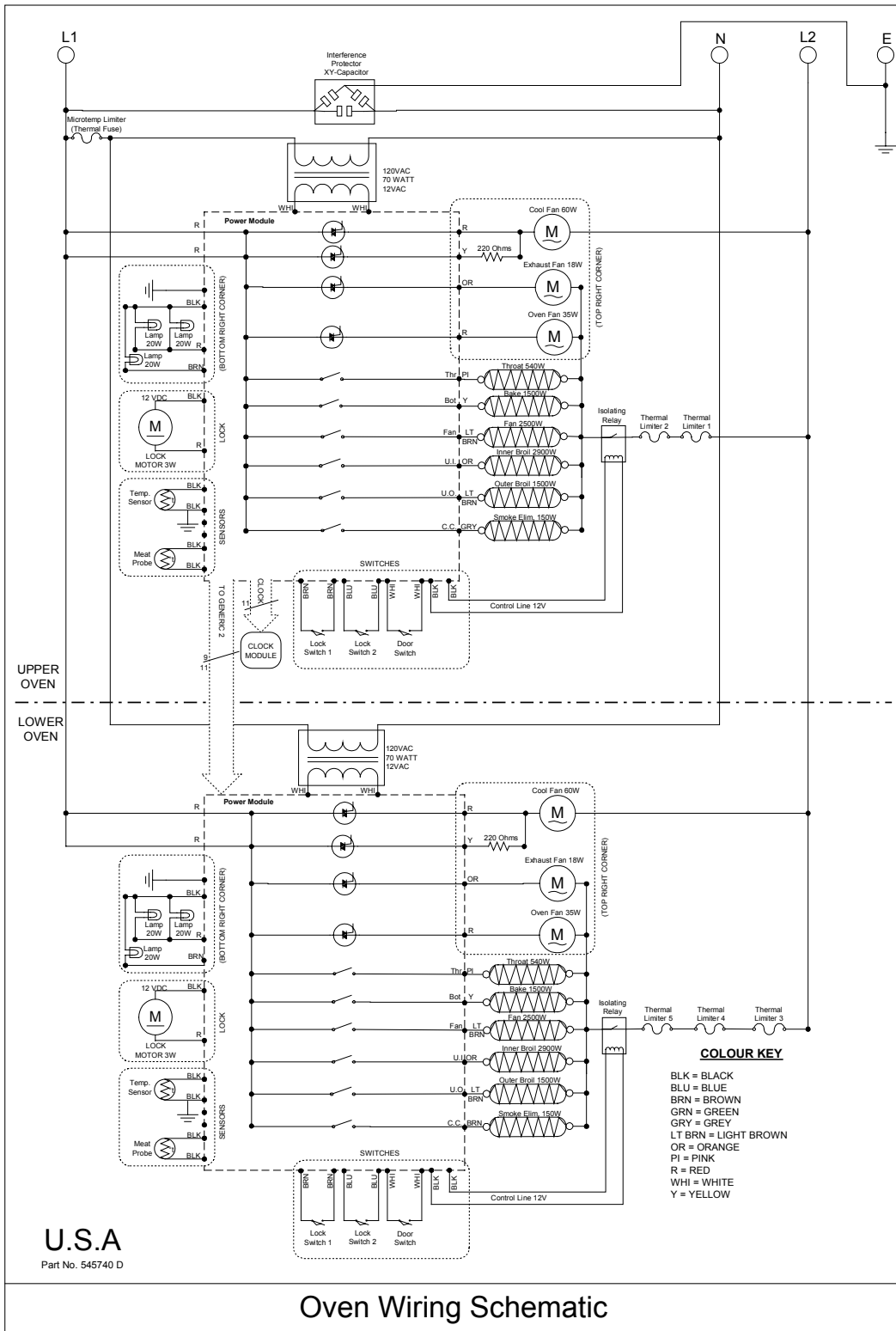
Check that the oven door lock has not jammed.

Note: The door does not lock or unlock in normal operation with the door open or with the oven cavity temperature over 600°F (315°C). However it will operate with the door open in diagnostics.

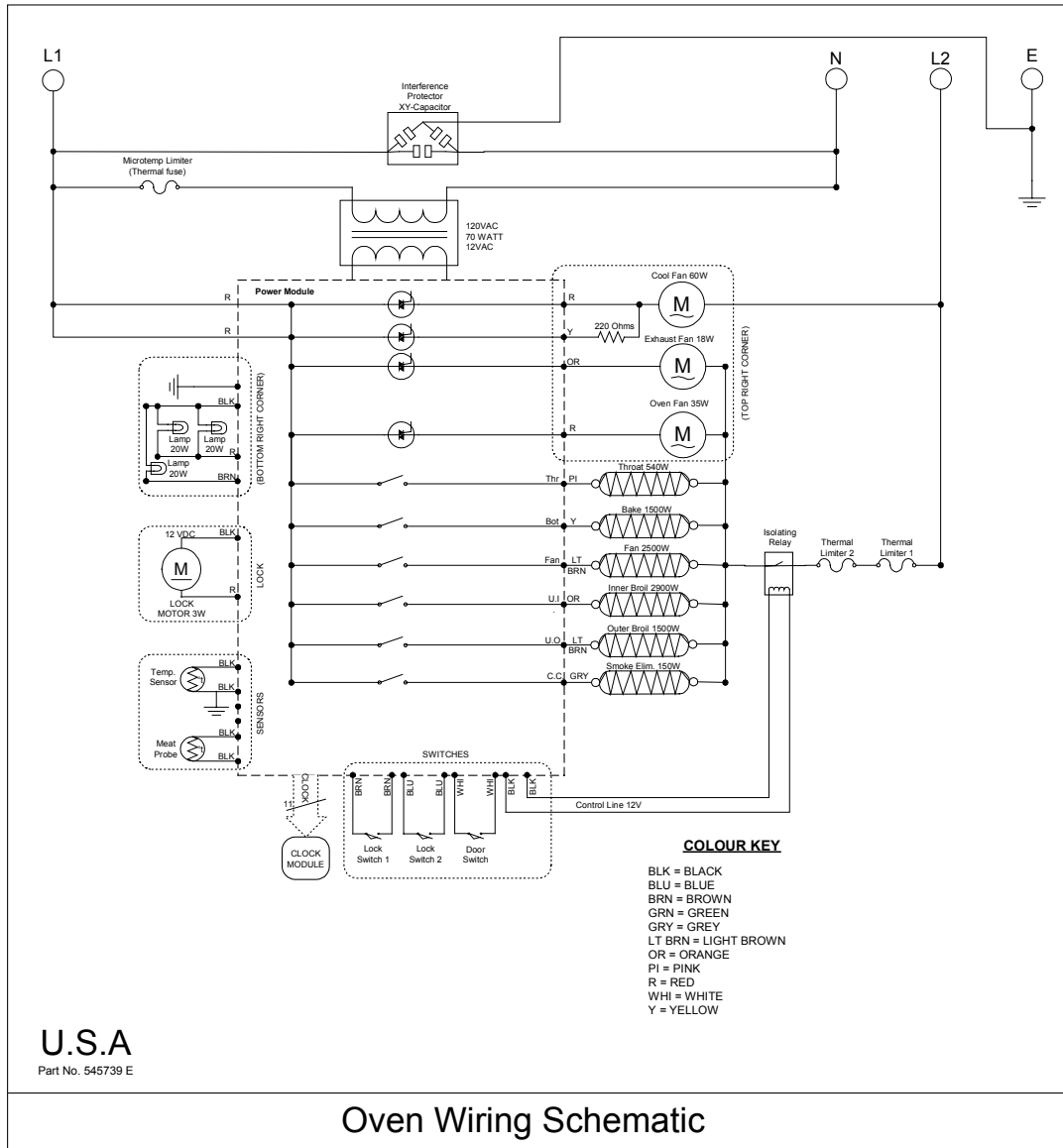
- Check for oven door switch and door lock switch faults.
- Check for temperature sensor faults.
- Replace the power module if no other component faults can be found.

Wiring Diagrams

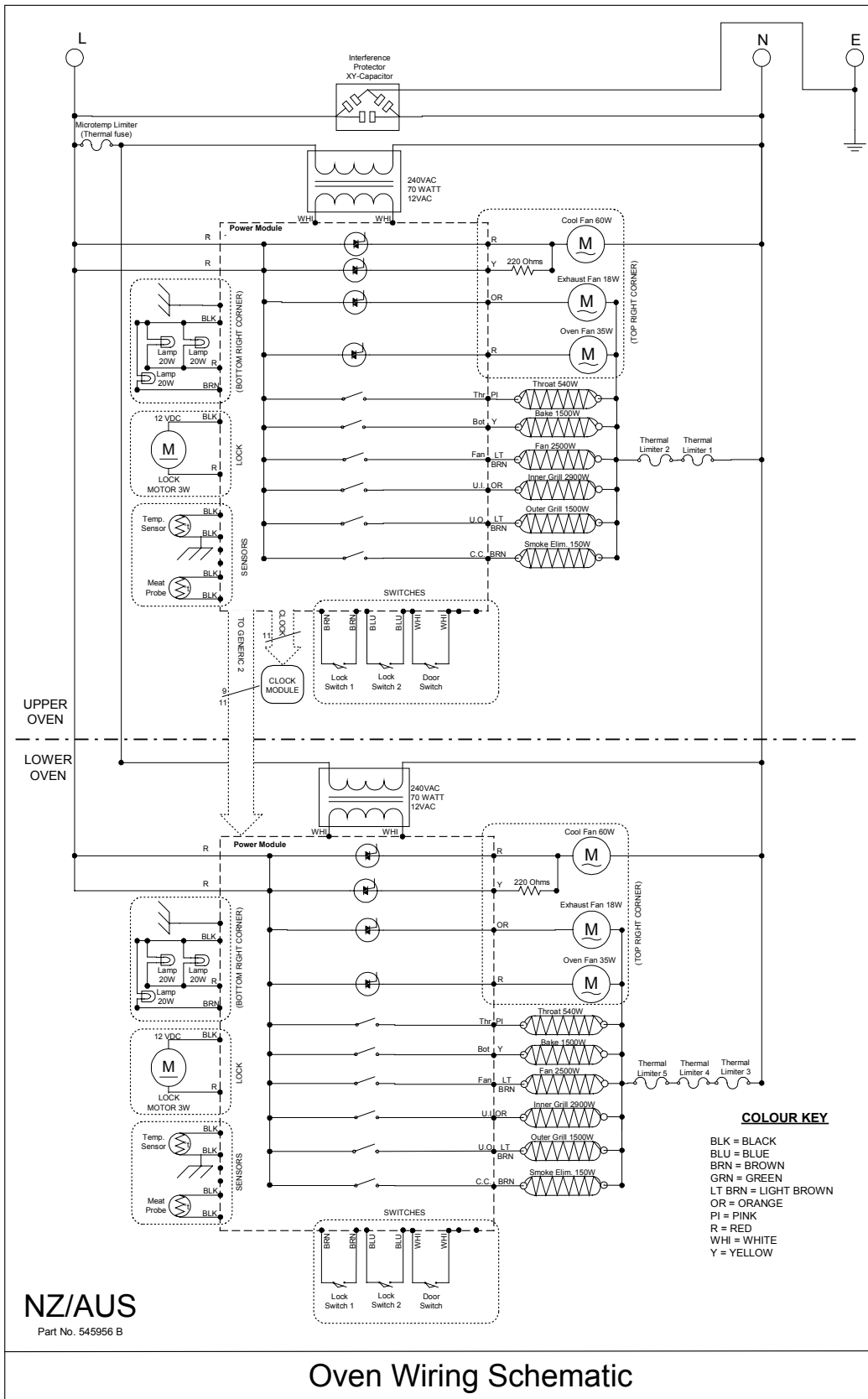
Double Oven USA Wiring Schematic



Single Oven USA Wiring Schematic



Double Oven NZ / AUS Wiring Schematic



Single Oven NZ / AUS Wiring Schematic

