

# Service

This manual is to be used by qualified appliance technicians only. Maytag does not assume any responsibility for property damage or personal injury for improper service procedures done by an unqualified person.



## UpDraft Electric Cooktops

This Base Manual covers general information. Refer to individual Technical Sheet for information on specific models.

This manual includes, but is not limited to the following:

**AKT3040\***  
**AKT3650\***  
**CEC1430AA\***  
**CEC1536AA\***  
**JEC7430AA\***  
**JEC8430AD\***  
**JEC8536AD\***  
**JEC8730AD\***  
**JEC9530AD\***  
**JEC9536AD\***  
**MEC4430BD\***  
**MEC5430BD\***  
**MEC5536BA\***

# **MAYTAG®**

16022159  
Revision 0  
May 2003

# Important Information

## Important Notices for Servicers and Consumers

Maytag will not be responsible for personal injury or property damage from improper service procedures. Pride and workmanship go into every product to provide our customers with quality products. It is possible, however, that during its lifetime a product may require service. Products should be serviced only by a qualified service technician who is familiar with the safety procedures required in the repair and who is equipped with the proper tools, parts, testing instruments and the appropriate service information. **IT IS THE TECHNICIANS RESPONSIBILITY TO REVIEW ALL APPROPRIATE SERVICE INFORMATION BEFORE BEGINNING REPAIRS.**



### **WARNING**

To avoid risk of severe personal injury or death, disconnect power before working/servicing on appliance to avoid electrical shock.

To locate an authorized servicer, please consult your telephone book or the dealer from whom you purchased this product. For further assistance, please contact:

### Customer Service Support Center

CAIR Center

<u>Web Site</u>	<u>Telephone Number</u>
WWW.AMANA.COM .....	1-800-843-0304
WWW.JENNAIR.COM .....	1-800-536-6247
WWW.MAYTAG.COM .....	1-800-688-9900
CAIR Center in Canada .....	1-800-688-2002
Amana Canada Product .....	1-866-587-2002

### Recognize Safety Symbols, Words, and Labels



### **DANGER**

**DANGER**—Immediate hazards which **WILL** result in severe personal injury or death.



### **WARNING**

**WARNING**—Hazards or unsafe practices which **COULD** result in severe personal injury or death.



### **CAUTION**

**CAUTION**—Hazards or unsafe practices which **COULD** result in minor personal injury, product or property damage.

# Table of Contents

Important Information .....	2	Disassembly Procedures	
Safety Information		Disassembly Procedures for Models Listed	
Safety Procedures .....	4	AKT3040F/E/S	
Safety Practices for Servicer .....	5	AKT3650F/E/S .....	12
Before Installing .....	5	Main Top Removal .....	12
Receiving Cooktop .....	5	Indicator Light Replacement .....	12
Unpacking .....	5	Element Replacement .....	12
Electrical Requirements .....	5	Infinite Switch Replacement .....	12
Electrical Connection .....	5	Disassembly Procedures for Models Listed	
General Information		CEC1536AAB/W/Q/C	
Model Identification Rating Label and		CEC1430AAB/W/Q/C	
Ordering Replacement Parts .....	6	JEC7430AAB/W	
Cooking Nomenclature .....	6	MEC4430BDB/W/Q .....	12
Model Identification .....	7	Main Top Removal .....	12
Service .....	7	Element Replacement .....	12
Parts and Accessories .....	7	Infinte Switch Replacement .....	12
Extended Service Plan .....	7	Indicator Light Replacement .....	12
Troubleshooting Procedures .....	8	Receptacle Replacement .....	12
Component Testing Information		Disassembly Procedures for Models Listed	
Power Supply .....	9	JEC8430ADB/W/F/N/S	
Internal Wiring .....	9	JEC8536ADB/W/F/N/S	
Indicator Light .....	9	MEC5430BDB/W/S	
Warming Element (Infinite Switch) .....	9	MEC5536BAB/W/S .....	13
Surface Elements (Infinite Switch) .....	9	Main Top Removal .....	13
Surface Elements (Dual Infinite Switch) .....	10	Element Replacement .....	13
Control .....	11	Infinite Switch Replacement .....	13
Temperature Sensor .....	11	Indicator Light Replacement .....	13
Ribbon Elements- Power Disconnected .....	11	Disassembly Procedures for Models Listed	
Ribbon Elements-Power Connected .....	11	JEC9530ADB/F/S	
Cooling Fan .....	11	JEC9536ADB/F/S .....	13
High Limit Switch .....	11	Main Top Removal .....	13
		Element Replacement .....	13
		Sensor Replacement .....	14
		Limiter Replacement .....	14
		Infinite Replacement .....	14
		Electronic Infinite Replacement .....	14
		Hi-Limit Switch Replacement .....	14
		Indicator Light Replacement .....	14
		Cooling Fan Replacement .....	14
		Appendix A	
		Installation Instructions .....	A-1 — A-6

# Safety Information

As with all appliances, there are certain rules to follow for safe operation. Verify everyone who operates the cooktop is familiar with the operations and with these precautions.

Use appliance only for its intended purpose as described. Pay close attention to the safety sections of this manual.

Recognize the safety section by looking for the symbol or the word safety.

**Recognize this symbol as a safety precaution.**



## WARNING

### General

1. The cooktop must be installed and/or repaired by an authorized installer or servicer.
2. Never use the cooktop for warming or heating the room.
3. Do not store items on the cooktop. Items stored on the cooktop can become too hot and melt.
4. Wear proper apparel. Loose fitting or hanging garments should never be worn while using cooktop.
5. Do not repair or replace any part of the cooktop yourself unless it is recommended in this manual.
6. Flammable materials should not be stored near cooktop.
7. Use only dry potholders. Moist or damp potholders on hot surfaces may result in burns from steam. Do not let a potholder touch an element. Do not use a towel or a bulky cloth as a potholder.



## WARNING

### Surface Cooking

1. Use the proper pan size. Select utensils with flat bottoms large enough to cover the element. Undersized utensils will expose the element to direct contact with clothing.
2. Never leave surface units unattended. Boilovers can cause smoking and may ignite.
3. To reduce risk of burns, ignition of flammable materials or spillage due to unintentional contact, utensil handles must be turned inward and not extend over adjacent surface.
4. Only certain types of glass, glass/ceramic, ceramic, earthenware, or other glazed utensils are suitable for cooktop use. Unsuitable utensils may break due to the sudden temperature change.
5. Clean cooktop with caution. To avoid steam burns, do not use a wet sponge or cloth to wipe up spills on a hot cooking area.
6. Do not place aluminum foil or foods packaged in aluminum foil directly on element.

### Safety Procedures



## WARNING

To avoid risk of electrical shock, property damage, personal injury or death; verify wiring is correct, if components were replaced. Verify proper and complete operation of unit after servicing.

Due to the nature of cooking, fires can occur as a result of overcooking or excessive grease. Although a fire is unlikely, if one occurs proceed as follows:

### Surface Element Fires

1. Do not turn on the vent hood. The fan can spread the flames.
2. If it is safe to do so, turn the surface element to OFF. Turn off main electrical supply.
3. Smother the fire with nonflammable lid or use a Class "ABC" or "BC" fire extinguisher. Do not use water on a grease fire.

Installation and service must be performed by an authorized installer, service agency or gas supplier.

# Safety Information

## Safety Practices for Servicer

Safe and satisfactory operation of electric cooktops depends upon its design and proper installation. However, there is one more area of safety to be considered:

## Before Installing

Installing the electric cooktop in compliance with local electrical building codes results in proper operation and consumer satisfaction with the cooktop.

## Receiving Cooktop

- Inspect cooktop thoroughly at time of delivery.
- Immediately report any visible damage to carrier.
- Damage not discovered until after accepting delivery can still be claimed by using a concealed damage report form, available from the carrier's agent.

All shipments, i.e., complete cooktop or parts, are shipped at the buyer's risk. Maytag responsibility ends when the consignment is accepted by the carrier in "good order." Maytag supports damage claims by supplying invoices, bills of lading and other documentation as needed. Providing this assistance, however, does not imply any responsibility for settling claims.

- Do not deduct claims for loss or damage from the invoice and do not withhold payment pending adjustment of claims.
- Do not return any units or parts for credit without written consent.

## Unpacking

- Open the carton and slide cooktop out.
- Remove all literature packed with the cooktop and place cooktop onto a protective flat surface.
- Avoid countertop damage by NOT sliding cooktop across the countertop.



### CAUTION

Do not store items of interest to children in cabinets above cooktop. Children may climb on cooktop to reach these items and become seriously injured.

## Electrical Requirements

220-volt, 60 Hertz, individual circuit which is properly grounded, polarized and protected by a circuit breaker or fuse.

The neutral of this unit is grounded to the frame through the solid copper grounding wire. If local conditions do not permit grounding of the neutral, untwist or disconnect the solid copper wire and connect the solid copper wire to ground in accordance with local codes. Connect the white neutral to the service neutral.

## Electrical Connection

All wire connections must be in accordance with local codes. Use National Electrical Code, ANSI/NFPA No. 70-Latest Edition in the absence of local codes.

A three-wire, single phase, 120/240 VAC 60 Hz, electric system (properly circuit protected to meet local Codes of NFPA No. 70) must be provided. The chart below recommends the minimum circuit protector and wire size if the appliance is the only unit on the circuit. If smaller sizes of wire is used, the efficiency will be reduced and a fire hazard may be created. It is advisable that the electrical wiring and hookup be completed by a certified electrician.

K.W. Rating on Serial Plate	Circuit Protection in Amperes	Wire Size (AWG)
0 – 4.9	20	12
5.0 – 6.9	30	10
7.0 – 9.9	40	8
10.0 – 11.9	50	8
12.0 – 14.9	60	6

**NOTE:** The consumer is responsible for replacing any wall receptacle with a grounded and polarized outlet. A qualified electrician should check any receptacle the customer doubts is properly grounded. The wiring diagram is located on the bottom of the cooktop.

# General Information

This manual provides basic instructions and suggestions for handling, installing and servicing electric cooktops.

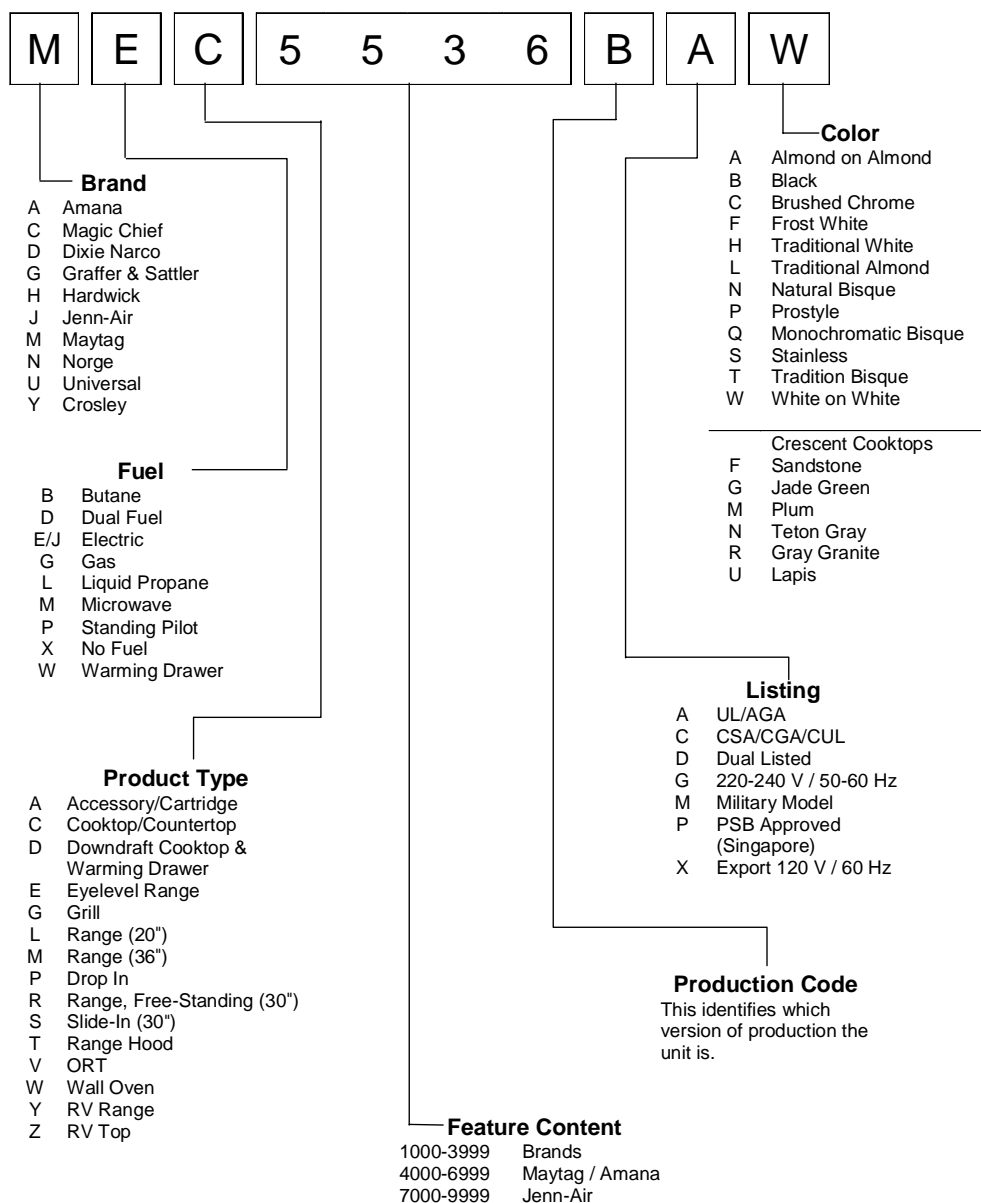
The directions, information, and warnings in this manual are developed from experience with, and careful testing of the product. If the unit is installed according to this manual, it will operate properly and will require minimal servicing. A unit in proper operating order ensures the consumer all the benefits provided by clean, modern cooking.

This manual contains information needed by authorized service technicians to install and service electric cooktops. There may be, however, some parts which need further explanation. Refer to individual technical sheets or the toll-free technical support line to answer questions from authorized service technicians.

## Model Identification Rating Label and Ordering Replacement Parts

Model numbers are recorded on the rating label. Rating label is located on the bottom of the burner box. Before ordering parts, write down the correct model and serial number from rating label. This avoids incorrect shipments and delays. Please refer to parts reference material when ordering replacement parts.

## Cooking Nomenclature



# General Information

## Model Identification

Complete registration card and promptly return. If registration card is missing:

- For Amana product call 1-800-843-0304 or visit the Web Site at [www.amana.com](http://www.amana.com)
- For Maytag product call 1-800-688-9900 or visit the Web Site at [www.maytag.com](http://www.maytag.com)
- For Jenn-Air product call 1-800-536-6247 or visit the Web Site at [www.jennair.com](http://www.jennair.com)
- For product in Canada call 1-800-688-2002 or visit the Web Sites at [www.amana.com](http://www.amana.com) or [www.maytag.com](http://www.maytag.com) or [www.jennair.com](http://www.jennair.com)

When contacting provide product information located on rating plate. Record the following:

Model Number: \_\_\_\_\_  
Manufacturing Number: \_\_\_\_\_  
Serial or S/N Number: \_\_\_\_\_  
Date of purchase: \_\_\_\_\_  
Dealer's name and address: \_\_\_\_\_

## Service

Keep a copy of sales receipt for future reference or in case warranty service is required. To locate an authorized servicer:

- For Amana product call 1-800-628-5782 or visit the Web Site at [www.amana.com](http://www.amana.com)
- For Maytag/Jenn-Air product call 1-800-462-9824 or visit the Web Site at [www.maytag.com](http://www.maytag.com) or [www.jennair.com](http://www.jennair.com)
- For product in Canada call 1-800-688-2002 or visit the Web Sites at [www.amana.com](http://www.amana.com) or [www.maytag.com](http://www.maytag.com) or [www.jennair.com](http://www.jennair.com)

Warranty service must be performed by an authorized servicer. We also recommend contacting an authorized servicer, if service is required after warranty expires.

## Parts and Accessories

Purchase replacement parts and accessories over the phone. To order accessories for your product call:

- For Amana product call 1-877-232-6771 or visit the Web Site at [www.amana.com](http://www.amana.com)
- For Maytag/Jenn-Air product call 1-800-462-9824 or visit the Web Site at [www.maytag.com](http://www.maytag.com) or [www.jennair.com](http://www.jennair.com)
- For product in Canada call 1-800-688-2002 or visit the Web Sites at [www.amana.com](http://www.amana.com) or [www.maytag.com](http://www.maytag.com) or [www.jennair.com](http://www.jennair.com)

## Extended Service Plan

We offer long-term service protection for this new oven.

- Asure™ Extended Service Plan is specially designed to supplement Amana's strong warranty. This plan covers parts, labor, and travel charges. Call 1-866-232-6244 for information.
- Dependability Plus<sup>SM</sup> Extended Service Plan is specially designed to supplement Maytag's and Jenn-Air's strong warranty. This plan covers parts, labor, and travel charges. Call 1-800-925-2020 for information.

# Troubleshooting Procedures



## WARNING

To avoid risk of electrical shock, personal injury or death, disconnect power to cooktop before servicing, unless testing requires power.

Problems	Solutions
Switch burns out immediately after installation.	Improper wiring installation Hot Wired to Neutral terminal. Warranty is VOID.(SEE Installation Instructions.) <b>NOTE:</b> Possible damage to glass.
Element fails to heat; indicator light glows.	<ol style="list-style-type: none"> <li>1. Element is burned out.</li> <li>2. Failed limit switch.</li> <li>3. Failed infinite switch.</li> </ol>
Element too hot; no control of heat at any setting.	Failed infinite switch or limit has welded contacts.
Element too hot on HI setting only.	Failed limit switch.
Erratic operation of surface elements.	Loose or broken wiring.
Indicator light remains on when control is turned OFF or does not light when control is turned ON.	Infinite switch or hot light switch failed: <b>NOTE:</b> In case where light does not light, could be failed indicator light. Possible inductance voltage, separate indicator light wires running parallel with power supply wires.
Element making a humming noise.	Caused by a 60 Hz AC current passing through element winding. Normal occurrence does not affect performance.
Runaway surface control.	<ol style="list-style-type: none"> <li>1. Failed infinite switch.</li> <li>2. Improperly wired.</li> </ol>
Poor performance when unit is installed.	<ol style="list-style-type: none"> <li>1. Knobs on surface controls indicating incorrect setting. (knob set to HI control is actually set on LO.)</li> <li>2. Improper wiring or switch installation.</li> </ol>
Broken glass.	Check for runaway surface control, faulty limit switch that could have caused glass to break.
Glass-ceramic heater is wavy or uneven.	Manufacturing process gives glass-ceramic heater panel a slight wave across surface. This IS NOT a defect.
Red spots or lines visible through glass-ceramic heater panel.	Glass-ceramic heater panels are slightly opaque. Element may transfer a glow through a panel. This IS NOT a defect in the unit and has no effect on performance.
Performance of surface element is poor.	<ol style="list-style-type: none"> <li>1. See test procedures.</li> <li>2. Make sure pans are flat on bottom.</li> </ol>



# Component Testing Procedures



## WARNING

To avoid electrical shock, personal injury, or death: disconnect power supply before servicing, unless testing requires it.

### Power Supply

If no part of the cooktop operates or only part of it operates, the cause may be a problem in the power supply.

1. Verify supply circuit breakers or fuses are not tripped. Check rating.
2. Disconnect power source. Check terminals at terminal block for tightness.
3. Verify cooktop service wires are properly connected. Be sure wires are in good condition. Check for proper voltage with a voltmeter.

### Internal Wiring

1. Disconnect power from cooktop.
2. Place one ohmmeter lead at the terminal block. Place the other lead at the line terminal of the non-functioning part. Meter should indicate continuity.

Use the appropriate wiring diagram to repeat this procedure from the output of the control to the next point until each wire section is checked. Often a visual check of the wiring will determine where a wiring fault is.

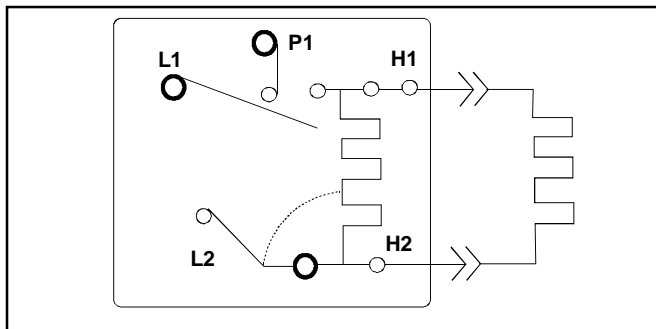
### Indicator Light

1. If the surface unit operates normally but the indicator lights do not glow, check for voltage at the indicator light terminals.
2. If voltage is present at the indicator terminals and the indicator does not glow, replace the indicator light.
3. If no voltage is present at the terminals, check for loose connections or broken wiring.

### Warming Element (Infinite Switch)

#### Power Connection

1. See schematic diagrams for assistance in testing voltages in and out of control.
2. Connect a voltmeter to the element or the terminals H1 and H2 of the surface warming control.



3. Turn control to LOW setting and allow it to cycle approximately two minutes. Time the OFF and ON cycle of the control and compare to the following table based on a 60 second cycle.

SETTING	APPROXIMATE SECONDS	
	ON	OFF
LOW	4	56
4	21	39
HIGH	Constant	0

4. Replace the control if it is not cycling properly. Calibration is not possible.

### Resistance / Continuity

A malfunction in the internal switching may fuse the cycling contacts. This causes the heating element to operate at full power, at all control settings, while cycling on element limiter.

1. Disconnect power from cooktop.
2. See "Disassembly Procedure" to access switch.
3. Connect voltmeter test lead to H1 and H2 terminals.
4. Connect appliance to power source.
5. Set control to any setting. Meter should indicate 120 VAC volts. After allotted ON cycle, contacts should cycle open and indicate 0 VAC.

Contacts	Dial Position		
	OFF	LO-MED	HI
L1 - P	O	X	X
L1 - H1	O	X	X
L1 - H2	O	X - C	X
H1 - H2	X	E	X

**O**–Open    **X**–Closed    **C**–Cycles  
**E**–Indicates resistance across internal heater

### Surface Elements (Infinite Switch)

#### Power Connection

1. See schematic diagrams for assistance in testing voltages in and out of control.
2. Connect a voltmeter to the element or the terminals H1 and H2 of the surface control.
3. Turn control to LOW setting and allow it to cycle approximately two minutes. Time the OFF and ON cycle of the control and compare these to the following table.

# Component Testing Procedures



## WARNING

To avoid electrical shock, personal injury, or death: disconnect power supply before servicing, unless testing requires it.

SETTING	APPROXIMATE SECONDS	
	ON	OFF
TIME		
LOW	3	20
MED	5	7
HIGH	Constant	0

- Replace the control if it is not cycling properly. Calibration is not possible.

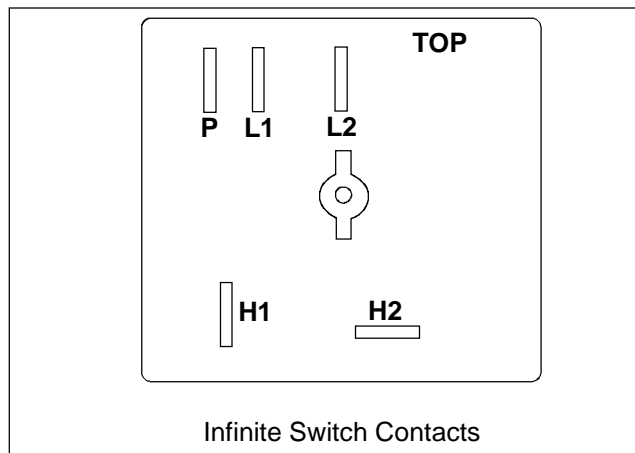
The surface units and controls offer infinite heat settings. Controls must be pushed down before turning. All surface controls are marked on the control panel for their respective heating element. Infinite switch contacts L1 - H1 and L2 - H2 provide power to the surface elements.

### Resistance / Continuity

A malfunction in the internal switching may fuse the cycling contacts. This causes the heating element to operate at full power, at all control settings, while cycling on element limiter.

Check continuity on infinite switch contacts by using the following steps.

- Turn off power to cooktop.
- See "Disassembly Procedure" to access switch.
- Remove all control panel knobs. Remove control panel assembly.
- Remove switch mounting bracket screws. Lift bracket upward. The location of the switch terminals is shown below.



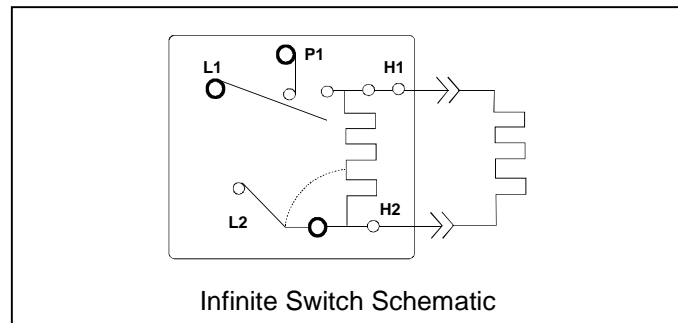
- Remove wiring from switch.
- Set ohmmeter on R x 1K scale. Check for continuity according to the following chart.

Contacts	Dial Position		
	OFF	LO-MED	HI
L1 - L2	O	E	X
L1 - P	O	X	X
L1 - H1	O	X	X
L1 - H2	O	X - C	X
H1 - H2	X	E	X

**O**–Open **X**–Closed **C**–Cycles  
**E**–Indicates resistance across internal heater

- If any contacts fail continuity test, replace infinite switch.

**NOTE:** During actual surface element operation, contacts L2 - H2 will cycle to maintain the correct heat setting. Contacts L1 - P provide power to the surface element indicator light.



If the infinite switch contacts are good and the element does not heat, check for voltage at the heating element terminal plug block. A voltage of 240 V should be indicated. If no voltage is indicated, check for a broken wire or loose connection.

### Surface Element (Dual Infinite Switch)

The surface units and controls offer infinite heat settings. Controls must be pushed down before turning. All surface controls are marked on the control panel for their respective heating unit. Indicator ON light uses contacts 2 - 5, which must be closed before contacts 2 - 3 when using the small burner. Also contacts 2 - 5 and 3 - 4 must be closed before contacts 2 - 3, when using the small and large burner. Infinite switch contacts 2 - 3 and 3 - 4 provide power to the surface elements.

Check continuity on infinite switch contacts by using the following steps.

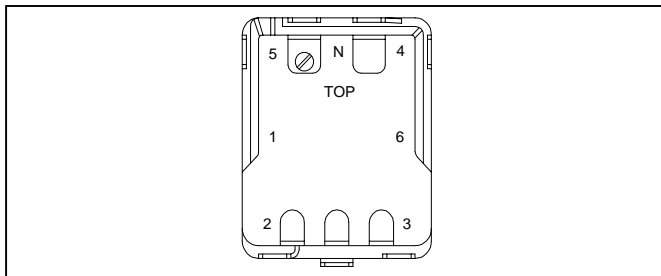
- Turn off power to cooktop.
- See "Disassembly Procedures" to access switch.

# Component Testing Procedures

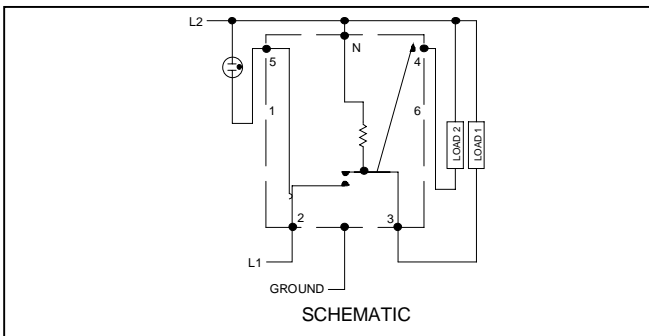


## WARNING

To avoid electrical shock, personal injury, or death: disconnect power supply before servicing, unless testing requires it.



3. Remove wiring from switch.
4. If any contacts fail continuity test, replace infinite switch.



If the infinite switch contacts are good and the element does not heat, check for voltage at the heating element terminal plug block. A voltage of 240 V should be indicated. If no voltage is indicated, check for a broken wire or loose connection.

Contacts	Dial Position		
	OFF	Small	Large
3 - 4	OFF	OFF	ON
2 - 3	OFF	Cycle	Cycle
2 - 5	OFF	ON	ON

### Control

1. Verify power is applied to the input on the control.
2. Verify power is present at the output on the control.
3. If power is not present at input or output of the control, replace control.

### Temperature Sensor

Sensor resistance can be checked by disconnecting the sensor leads from the control and connecting an ohmmeter to the sensor. A resistance reading of approximately 1100 ohms should be indicated at ambient room temperature (75°F).

If a resistance of 0 ohms or infinite ohms is indicated. Replace the temperature sensor.

### Ribbon Elements—Power Disconnected

#### Small Element Continuity Test

1. Disconnect power from cooktop. Connect ohmmeter leads to element terminals.
2. Meter should indicate continuity.

#### Large Element Continuity Test

1. Disconnect power from cooktop. Connect ohmmeter leads to element terminals.
2. Meter should indicate continuity.

### Ribbon Elements—Power Connected

#### Performance Test

1. Set meter to measure at least 250 VAC. Connect meter leads to element tabs.
2. Connect cooktop to power source.
3. Test element with no load (no pan on burner), turn corresponding surface control to HI. Voltage should indicate 240 VAC power supply voltage.
4. Element should glow after a few seconds. If it does not glow check element resistance or continuity to high limit/ hot light assembly.
5. While element is heating, observe voltage and element. Voltage should indicate 240 VAC power supply voltage.
6. After a delay of approximately six minute ( $\pm 30$  seconds), the high limit switch will open its contacts and turn power off to the element. Observe two complete cycles prior to setting surface control to OFF position.

### Cooling Fan

Fan motor may come on at anytime to cool components.

1. Turn off power to unit.
2. See "Disassembly Procedures" to access motor.
3. Disconnect terminals to cooling fan.
4. Attach meter leads to terminals on the motor.
5. A resistance of ohms should be indicated approximately 667 ohms, but may vary with each motor tested. This test is to check the motor winding for an open or shorted winding. If zero or infinite ohms is indicated, the motor windings has failed and the motor must be replaced.

### High Limit Switch

1. Turn off power to unit.
2. See "Disassembly Procedures" to access switch.
3. Disconnect wires from switch terminal connections.
4. Attach meter leads to terminals on the switch. At ambient room temperature (70°F), continuity should be indicated.

# Disassembly Procedures



## WARNING

To avoid risk of electrical shock, personal injury or death, disconnect power to cooktop before servicing, unless testing requires power.

### Disassembly Procedures for Models Listed

- AKT3040F/E/S
- AKT3650F/E/S

#### Main Top Removal

1. Disconnect power to cooktop.
2. Remove cooktop from cutout and place on a protected surface.
3. Remove control knobs from infinite switches.

**NOTE:** To remove knob(s), slide a rag under the knob and pull upward.

4. Remove screws securing cooktop frame to burner box frame.
5. Remove main top.
6. Reverse procedure to reassemble, verifying that cooktop frame is properly aligned.

#### Indicator Light Replacement

1. Remove main top, see "Main Top Removal" procedure.
2. Remove screws securing control mounting bracket to burner box frame.
3. Disconnect and label wiring from indicator light.
4. Remove bolt and nut securing indicator light, if so equipped.
5. Replace indicator light.
6. Replace indicator light and reverse procedure to reinstall.

#### Element Replacement

1. Remove main top, see "Main Top Removal" procedure.
2. Remove screws securing element mounting bracket to burner box frame.
3. Disconnect and label wiring to failed element.
4. Remove screws securing failed element from element mounting bracket and replace element.

**NOTE:** Mark screw location on element to reassemble correctly.

5. Replace element and reverse procedure to reinstall.

#### Infinite Switch Replacement

1. Remove main top, see "Main Top Removal" procedure.
2. Remove screws securing control mounting bracket to burner box frame.
3. Replace control assembly.
4. Replace infinite switch and reverse procedure to reinstall.

### Disassembly Procedures for Models Listed

- CEC1536AAB/W/Q/C
- CEC1430AAB/W/Q/C
- JEC7430AAB/W
- MEC4430BDB/W/Q

#### Main Top Removal

1. Disconnect power to cooktop.
2. Remove elements, drip bowls, and knobs.

**NOTE:** To remove knob(s), slide a rag under the knob and pull upward.

3. Remove screws securing main top to burner box.
4. Remove main top.
5. Reverse procedure to reassemble, verifying that cooktop frame is properly aligned.

#### Element Replacement

1. Disconnect power to cooktop.
2. Lift element and remove from receptacle.
3. Insert replacement element into receptacle.

#### Infinite Switch Replacement

1. Remove main top, see "Main Top Removal" procedure.
2. Remove screws securing infinite switch to main top and remove switch.
3. Disconnect and label wiring to infinite switch.
4. Replace infinite switch and reverse procedure to reinstall.

#### Indicator Light Replacement

1. Remove main top, see "Main Top Removal" procedure.
2. Slide indicator light receptacle to the side to release from lens.
3. Transfer wires from failed light to replacement light.
4. Reverse procedure to reinstall new indicator light.

#### Receptacle Replacement

1. Disconnect power to cooktop.
2. Remove screw securing receptacle to main top.
3. Replace receptacle and reverse procedure to reinstall.

# Disassembly Procedures



## WARNING

To avoid risk of electrical shock, personal injury or death, disconnect power to cooktop before servicing, unless testing requires power.

### Disassembly Procedures for Models Listed

- JEC8430ADB/W/F/N/S
- JEC8536ADB/W/F/N/S
- MEC5430BDB/W/S
- MEC5536BAB/W/S

#### Main Top Removal

1. Disconnect power to cooktop.
2. Remove knobs from valve stems.

**NOTE:** To remove knob(s), slide a rag under the knob and pull upward.

3. Remove cooktop from installation position and place face down on protected surface.
4. Remove screws securing main top to burner box bottom.
5. Remove screws securing control panel box and conduit mounting plate to burner box assembly.

**NOTE:** Control panel box screws are located in front center and conduit mounting plate screws are located in rear left.

6. Remove main top.

**NOTE:** Make sure the pieces of insulation, located in the front left and right rear corners, are put back in place. Failure to do so could create excessive cabinet temperatures.

7. Reverse procedure to reassemble, verifying that cooktop frame is properly aligned.

#### Element Replacement

1. Remove main top, see "Main Top Removal" procedure.
2. Remove screws securing element clips to main top.

**NOTE:** Element clips are positioned at numbered locations. If element clips are removed from element, note the locations prior to removal.

3. Disconnect and label wiring to element.
4. Replace element and reverse procedure to reinstall.

#### Infinite Switch Replacement

1. Remove main top, see "Main Top Removal" procedure.
2. Remove screws securing switch-mounting plate to main top.

**NOTE:** An access panel is provided on the bottom of the burner box for component diagnosis.

3. Lift plate to gain access to switch mounting screws.
4. Remove screws securing switch to mounting plate and remove switch.

5. Disconnect and label wiring to infinite switch.
6. Replace infinite switch and reverse procedure to reinstall.

#### Indicator Light Replacement

1. Remove main top, see "Main Top Removal" procedure.
2. Remove screws securing mounting plate to main top.
3. Lift plate to gain access to indicator light.
4. Depress tabs securing indicator light to mounting plate.
5. Disconnect and label wiring to indicator light.
6. Replace indicator light and reverse procedure to reinstall.

### Disassembly Procedures for Models Listed

- JEC9530ADB/F/S
- JEC9536ADB/F/S

#### Main Top Removal

1. Disconnect power to cooktop.
2. Remove knobs from valve stems.

**NOTE:** To remove knob(s), slide a rag under the knob and pull upward.

3. Remove cooktop from installation position and place face down on protected surface.
4. Remove screws securing main top to burner box bottom.
5. Remove screws securing conduit mounting plate to burner box assembly.

**NOTE:** Conduit mounting plate screws are located in rear left corner.

6. Remove main top.

**NOTE:** Make sure the pieces of insulation, located in the front left and right rear corners, are put back in place. Failure to do so could create excessive cabinet temperatures.

7. Reverse procedure to reassemble, verifying that cooktop frame is properly aligned.

#### Element Replacement

1. Remove main top, see "Main Top Removal" procedure.
2. Remove screws securing element clips to main top.

**NOTE:** Element clips are positioned at numbered locations. If element clips are removed from element, note the locations prior to removal.

3. Disconnect and label wiring to element.
4. Replace element and reverse procedure to reinstall.

# Disassembly Procedures



## WARNING

To avoid risk of electrical shock, personal injury or death, disconnect power to cooktop before servicing, unless testing requires power.

### Sensor Replacement

1. Remove main top, see "Main Top Removal" procedure.
2. Remove screws securing element clips to main top.
3. Lower element and remove screws securing sensor to element.
4. Disconnect wiring to sensor.
5. Replace sensor and reverse procedure to reinstall.

### Limiter Replacement (Dual Element Only)

1. Remove main top, see "Main Top Removal" procedure.
2. Remove screws securing element clips to main top.
3. Lower element and remove screws securing limiter to element.
4. Disconnect and label wiring to limiter.
5. Replace limiter and reverse procedure to reinstall.

### Infinite Switch Replacement

1. Remove main top, see "Main Top Removal" procedure.
2. Remove screws securing mounting plate to main top.

**NOTE:** An access panel is provided on the under side of the burner box for component diagnosis.

3. Lift plate to access switch mounting screws.
4. Remove screws securing switch to mounting plate.
5. Disconnect and label wiring to infinite switch.
6. Replace infinite switch and reverse procedure to reinstall.

### Electronic Infinite Switch Replacement

1. Remove main top, see "Main Top Removal" procedure.
2. Remove screws securing mounting plate to main top.

**NOTE:** An access panel is provided on the under side of the burner box for component diagnosis.

3. Lift plate to access switch mounting nut.
4. Remove nut securing switch to mounting plate.
5. Depress tabs securing switch from bottom side.
6. Disconnect and label wiring to infinite switch.
7. Replace infinite switch and reverse procedure to reinstall.

### Hi-Limit Switch Replacement

1. Remove main top, see "Main Top Removal" procedure.
2. Remove screws securing hi-limit switch to the mounting plate and remove hi-limit switch.
3. Disconnect and label wiring to hi-limit switch.
4. Replace hi-limit switch and reverse procedure to reinstall.

### Indicator Light Replacement

1. Remove main top, see "Main Top Removal" procedure.
2. Remove screws securing mounting plate to main top.
3. Lift plate to access indicator light.
4. Depress tabs securing indicator light to mounting plate.
5. Transfer wires from failed light to replacement light.
6. Reverse procedure to reinstall new indicator light.

### Cooling Fan Replacement

1. Disconnect electricity to unit.
2. Remove knobs from valve stems.

**NOTE:** To remove knob(s), slide a rag under the knob and pull upward.

3. Remove cooktop from installation position and place face down on protected surface.
4. Remove screws securing bottom baffle to burner box bottom.
5. Remove baffle to gain access to fan.
6. Remove screws securing cooling fan to burner box bottom.
7. Disconnect and label wiring to cooling fan.
8. Replace cooling fan and reverse procedure to reinstall.

# Appendix A

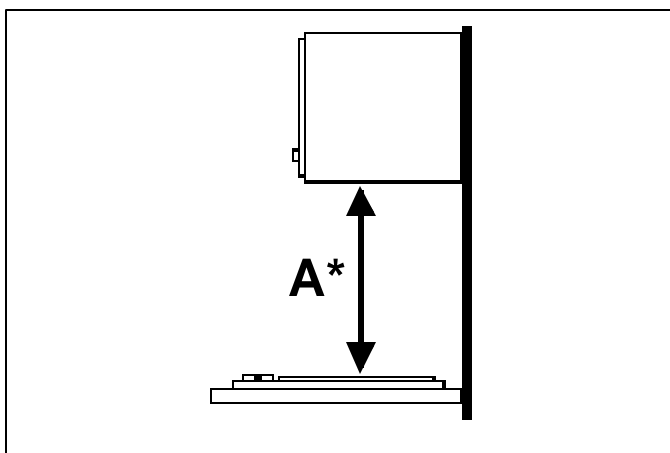
# Installation Instructions

## Installing Cabinetry Over Your Cooktop

A = **30"** (76.2 cm) minimum clearance between the top of the cooktop and the bottom of an unprotected wood or metal cabinet.

A = **24"** (60.96 cm) minimum when bottom of wood or metal cabinet is protected by not less than 1/4" (0.635 cm). FLAME RETARDANT millboard covered with not less than no. 28 MSG sheet steel, 0.015" (0.038 cm) stainless steel, 0.024" (0.061 cm) aluminum or copper.

\* To eliminate the risk of burns or fire by reaching over heated surface units, cabinet storage space located above the surface units should be avoided. If cabinet storage is to be provided, the risk can be reduced by installing a range hood that projects horizontally a minimum of 5 inches beyond the bottom of the cabinets.



## Important Installation Suggestions

1. Chamfer all exposed edges of decorative laminate to prevent damage from chipping.
2. Radius corners of cutout and file to insure smooth edges and prevent corner cracking.
3. Rough edges, inside corners which have not been rounded and forced fits can contribute to cracking of the countertop laminate.
4. Countertop must be supported within 3" (7.62 cm) of cutout.



### CAUTION

Warranty is void on equipment installed other than as recommended by manufacturer.

## Electrical Wiring Information

The neutral of this unit is grounded to the frame through the solid copper grounding wire. If used on new branch-circuit installations (1996 NEC), mobile homes, recreational vehicles, or in an area where local codes prohibit grounding through the neutral conductor, untwist or disconnect the solid copper wire and connect the ground wire to ground in accordance with local code. Connect the white neutral to the service neutral. Connect all wires to the branch circuit with approved connectors. Use copper or aluminum wire. If aluminum wire is used, use connectors recognized for joining aluminum to copper.

## Proper Electrical Supply

You must provide an adequate electrical supply system as required for your cooktop. All wire connections must be in accordance with local codes and properly insulated. Check with local utility for governing electrical codes and ordinances. In the absence of local electrical codes, the National Electrical Code, NFPA No. 70, governing electric range installations must be followed.

A copy of the National Electrical Code, NFPA No. 70, can be obtained by writing to:

**National Fire Protection Association**  
**Batterymarch Park**  
**Quincy, Massachusetts 02269**

A three-wire, single phase, A.C. 120/240 volt 60 cycle electrical system (properly circuit protected to meet Local Codes of NFPA No. 70) must be provided. Unit must be properly grounded in accordance with local wiring code. The chart below recommends the minimum circuit protector and wire size if the appliance is the only unit on the circuit. If smaller sizes of wire are used, the unit efficiency will be reduced and a fire hazard may be created. It is advisable that the electrical wiring and hookup be accomplished by a competent electrician.

K.W. Rating on Serial Plate	Circuit Protection in Amperes	Wire Size (AWG)
0 – 4.9	20	12
5.0 – 6.9	30	10
7.0 – 9.9	40	8
10.0 – 11.9	50	8
12.0 – 14.9	60	6



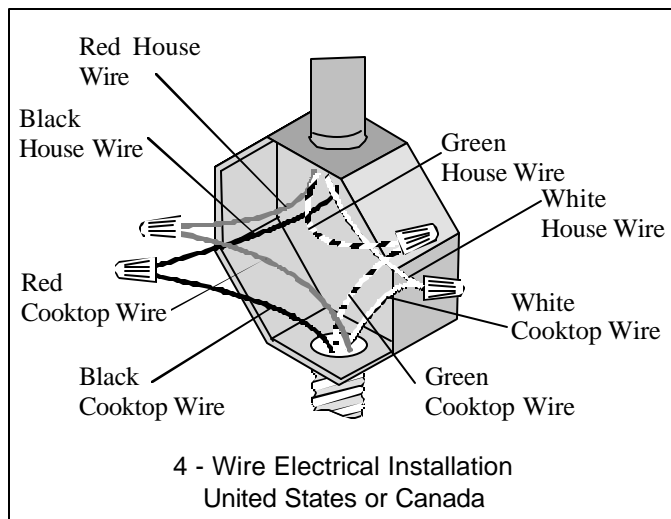
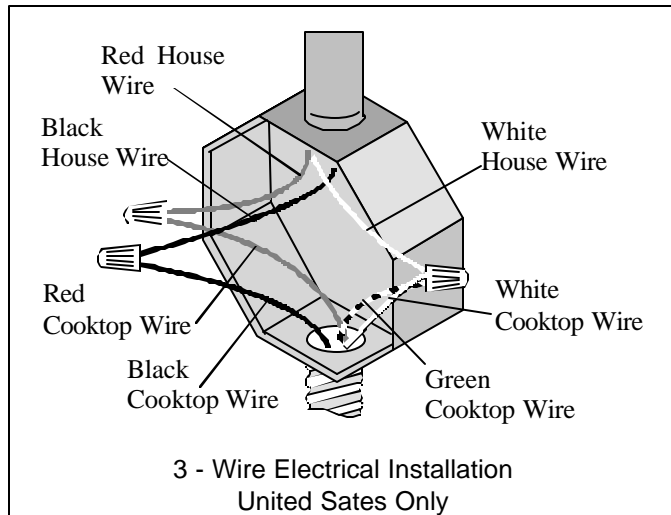
# Installation Instructions

## Junction Box Connection

Junction box is not supplied with cooktop. Junction box must be U.L. or C.S.A. listed and meet NEC and Mobile Home Manufacturers Association Standards.

- Three-wire conductor junction box allowed for residential usage in United States.
- Four-wire conductor junction box required in Canada and for most mobile home installations, but can be used for residential.
- Refer to local, municipal, and state building codes.

**NOTE:** A power cord must not be used.



## Notice To Installer

Follow accompanying instruction carefully.

### CAUTION

Never use a metal blade to pry knob off. If knob cannot be easily removed, tuck folds of a dish-towel under knob skirt and pull upward with steady, even pressure.

## Preparation Of Countertop

The cutout in the countertop into which the appliance is to be installed should be prepared according to the cutout dimensions given on page 1 of these instructions.

### CAUTION

Cutout dimensions are critical. Dimensions must be measured and cut accurately to within + 1/16" (.16 cm) to insure proper fit.

## Installation Of Appliance

1. Remove the cooktop from the carton and place it upside down over two soft pads making sure control knobs do not interfere with any surface.
2. Provide cutout in countertop.
3. Place unit in the cutout.
4. Make electrical wire connection to unit. Consult local codes for proper power hook-up.
5. Test to insure control knobs operate all elements properly.

**Refer to the following Installation Instructions for detailed information on installing units.**

- AKT3040\* and AKT3640\* – **8101P469**
- CEC1430AA, CEC1536AA, JEC7430AA, and MEC4430BD – **8101P480**
- JEC8430AD, JEC8536AD – **8101P503**
- JEC9530AD, JEC9536AD – **8101P495**
- MEC5430BD and MEC5536BA – **8101P478**

# Installation Instructions

This is the first page of the Installation Instruction (see part number listed in the bottom right corner for complete set of instructions).

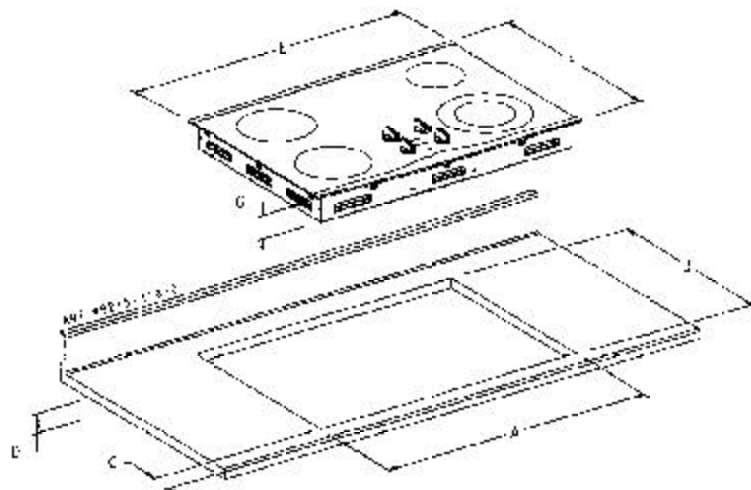
## INSTALLATION INSTRUCTIONS

**Radiant Cooktop**  
Models JEC8430 & JEC8536



### IMPORTANT - SAVE FOR THE LOCAL ELECTRICAL INSPECTOR'S USE

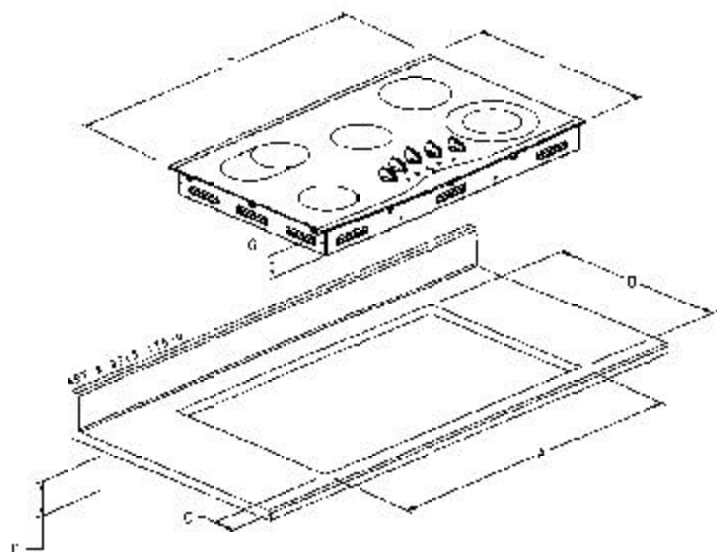
**IMPORTANT:** Installation should be performed only by an authorized Jenn Air Service Contractor or other qualified installer. Read safety precautions in the Use & Care Manual before using this appliance.  
(Dimensions shown in both inches and centimeters)



#### FOUR-ELEMENT RADIANT COOKTOPS

DIMENSIONS		
	inches	cm
A	29-7/16 ± 1/16	74.0 ± 0.2
B	20-3/8 ± 1/16	51.9 ± 0.2
C	2-1/8 min.	5.4
D	4-1/8 min. clear	10.5
E	29 15/16	76.0
F	21-1/2	54.6
G	3-3/4	9.5

**NOTE:** "D" is clearance needed for unit depth measure down from top of countertop. Typical for all units.



#### FIVE-ELEMENT RADIANT COOKTOPS

DIMENSIONS		
	inches	cm
A	34-9/16 ± 1/16	87.9 ± 0.2
B	20-3/8 ± 1/16	51.9 ± 0.2
C	2-1/8 min.	5.4
D	4-1/8 min. clear	10.5
E	35-5/16	89.7
F	21-1/2	54.6
G	3-3/4	9.5

### IMPORTANT

CUTOUT DIMENSIONS  
ARE CRITICAL

UNITS PROVIDED WITH 1/2" (1.3 cm) I.D. FLEXIBLE CABLE 48" (121.9 cm) LONG WITH 6" (15.2 cm) WIRE LEADS AT END, FURNISHED AND INSTALLED BY MANUFACTURER (CONNECT TO 240/120 VOLT ELECTRICAL SERVICE).

#### INSTRUCTIONS TO INSTALLER:

- **Side Clearance** - unit may be safely installed as near as 0" (0 cm) from a side wall if space limitations requires.

**Notice To Installer:** Leave these instructions with the appliance.

**Notice To Consumer:** Retain these instructions for future reference.

**B101P503-60**  
(10-02-00)

# Installation Instructions

This is the first page of the Installation Instruction (see part number listed in the bottom right corner for complete set of instructions).

## INSTALLATION INSTRUCTIONS

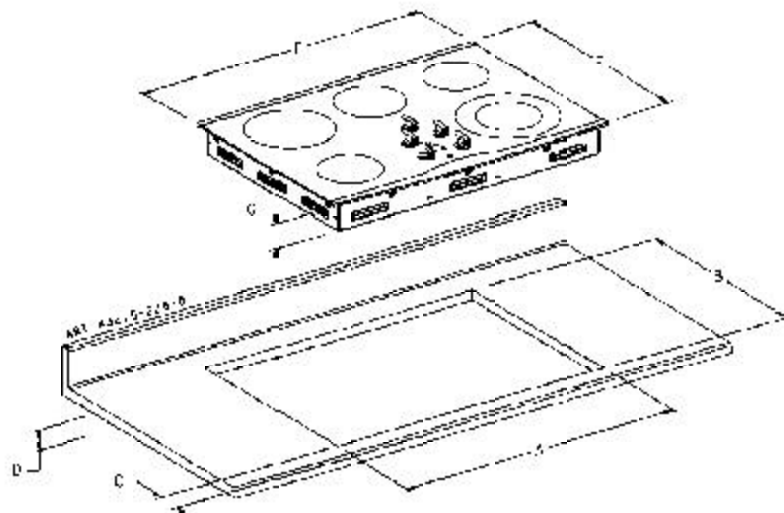
**Radiant Cooktop**  
Models JEC9530 & JEC9536



### IMPORTANT - SAVE FOR THE LOCAL ELECTRICAL INSPECTOR'S USE

**IMPORTANT:** Installation should be performed only by an authorized Jenn-Air Service Contractor or other qualified installer. Read safety precautions in the Use & Care Manual before using this appliance.

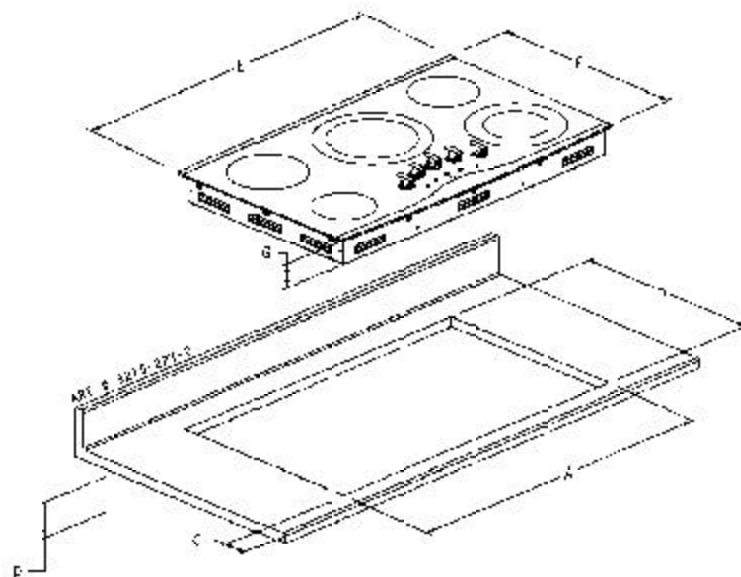
(D dimensions shown in both inches and centimeters)



#### JEC9530 FOUR-ELEMENT RADIANT COOKTOPS

DIMENSIONS		
	inches	cm
A	29-1/16 ± 1/16	74.0 ± 0.2
E	20-3/8 ± 1/16	51.9 ± 0.2
C	2-1/8	5.4
D	4 1/4 min clear	10.8
F	29-15/16	76.0
G	3-5/8	7.6

**NOTE:** "D" is clearance needed for unit depth measure down from top of countertop. Typical for all units.



#### JEC9536 FIVE-ELEMENT RADIANT COOKTOPS

DIMENSIONS		
	inches	cm
A	34-3/16 ± 1/16	87.9 ± 0.2
E	20-3/8 ± 1/16	51.9 ± 0.2
C	2-1/8	5.4
D	4-1/4 min clear	10.8
F	35-5/16	89.7
G	3-5/8	7.6

### IMPORTANT

CUTOUT  
DIMENSIONS ARE  
CRITICAL

UNITS PROVIDED WITH 1/2" (1.3 cm) I.D. FLEXIBLE CABLE 48" (121.9 cm) LONG WITH 6" (15.2 cm) WIRE LEADS AT END, FURNISHED AND INSTALLED BY MANUFACTURER (CONNECT TO 240/120 VOLT ELECTRICAL SERVICE).

#### INSTRUCTIONS TO INSTALLER:

- **Side and Back Wall Clearance:** Unit may be safely installed as near as 2 1/2 inches (6.35 centimeters) from side walls and 3/4 inch (1.91 centimeters) from back wall.

**Notice To Installer:** Leave these instructions with the appliance.

**Notice To Consumer:** Retain these instructions for future reference.

**8101P495-60**  
(01-03-00)

# Installation Instructions

This is the first page of the Installation Instruction (see part number listed in the bottom right corner for complete set of instructions).

## INSTALLATION INSTRUCTIONS

**Radiant Cooktop**  
Models MEC5430 & MEC5536

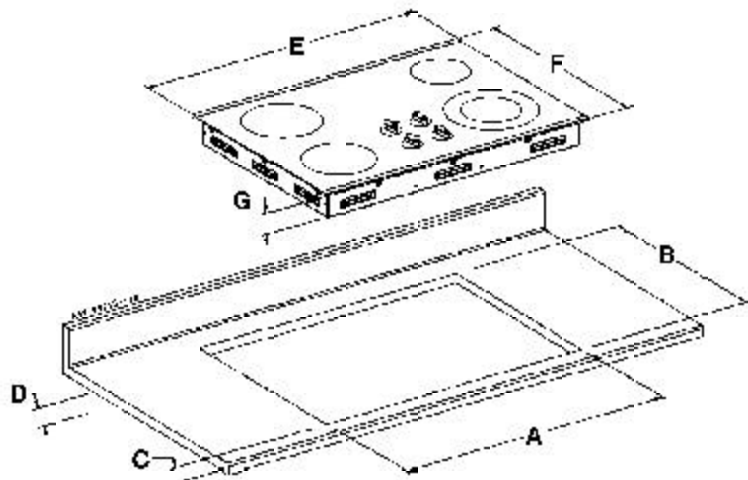


106 WEST HOUFIFER ROAD, NEW HAVEN, CONNECTICUT 06528

## **IMPORTANT - SAVE FOR THE LOCAL ELECTRICAL INSPECTOR'S USE**

**IMPORTANT:** Installation should be performed only by an authorized Maytag Service Contractor or other qualified installer. Read safety precautions in the Use & Care Manual before using this appliance.

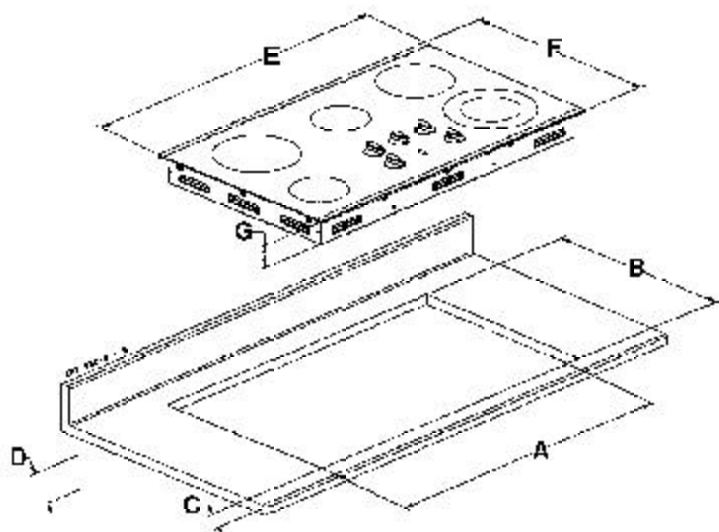
(Dimensions shown in both inches and centimeters.)



### FOUR-ELEMENT RADIANT COOKTOPS

DIMENSIONS		
	Inches	cm
A	29-1/16 ± 1/16	74.0 ± 0.2
B	20-3/8 ± 1/16	51.9 ± 0.2
C	2 1/8 min.	5.4
D	4-1/8 min. clear	10.5
E	29-15/16	76.0
F	21	53.3
G	3-3/4	9.5

**NOTE:** "D" is clearance needed for unit depth measure down from top of countertop. Typical for all units.



### FIVE-ELEMENT RADIANT COOKTOPS

DIMENSIONS		
	inches	cm
A	34-3/16 ± 1/16	87.9 ± 0.2
B	20-3/8 ± 1/16	51.9 ± 0.2
C	2-1/8 min.	5.4
D	4-1/8 min. clear	10.5
E	35-5/16	89.7
F	21	53.3
G	3-3/4	9.5

### IMPORTANT

CUTOUT DIMENSIONS ARE CRITICAL

UNITS PROVIDED WITH 1/2" (1.3 cm) I.D. FLEXIBLE CABLE 48" (~21.9 cm) LONG WITH 6" (15.2 cm) WIRE LEADS AT END, FURNISHED AND INSTALLED BY MANUFACTURER (CONNECT TO 240/120 VOLT ELECTRICAL SERVICE).

#### INSTRUCTIONS TO INSTALLER:

- **Side Clearance** - unit may be safely installed as near as 0" (0 cm) from a side wall if space limitations requires.

**Notice To Installer:** Leave these instructions with the appliance.

**Notice To Consumer:** Retain these instructions for future reference.

8101P478-60  
(03-02-00)